



US00D537518S

(12) **United States Design Patent**
Teufel

(10) **Patent No.:** **US D537,518 S**

(45) **Date of Patent:** **** Feb. 27, 2007**

(54) **FAN HOUSING**

- (75) Inventor: **Jörg Teufel**, Elchingen (DE)
- (73) Assignee: **ebm-papst St. Georgen GmbH & Co. KG**, St. Georgen (DE)
- (**) Term: **14 Years**

- (21) Appl. No.: **29/228,251**
- (22) Filed: **Apr. 20, 2005**

(30) **Foreign Application Priority Data**

Nov. 3, 2004 (EM) 000256193

(51) **LOC (8) Cl.** **23-04**

(52) **U.S. Cl.** **D23/383**

(58) **Field of Classification Search** D23/383,
D23/370; 415/204, 206, 213.1, 214.1
See application file for complete search history.

(56) **References Cited**

U.S. PATENT DOCUMENTS

- D282,396 S * 1/1986 Weaver D23/383
- D308,417 S * 6/1990 Belanger et al. D23/383
- D510,995 S * 10/2005 Tam D23/383

OTHER PUBLICATIONS

“Motor is a Snorer’s Dream,” in *Drives & Controls* magazine, Jul./Aug. 2004 issue, page “Medical.” Published by DFA Media Ltd. of Tonbridge, Kent TN9 2BL, Great Britain (GB). Contact Information: DFA Media Ltd., retrieved Oct. 25, 2005 via Internet.

* cited by examiner

Primary Examiner—Lisa Lichtenstein

(74) *Attorney, Agent, or Firm*—Milton Oliver, Esq.; Ware Fressola Van Der Sluys & Adolphson LLP

(57) **CLAIM**

The ornamental design for a fan housing, as shown and described.

DESCRIPTION

FIG. 1 is a top view of the fan housing of the design; FIG. 2 is a bottom view of the fan housing of FIG. 1; FIG. 3 is a side view, seen from the left of FIG. 1; FIG. 4 is a side view, seen from the right of FIG. 1; FIG. 5 is a side view, seen from the bottom of FIG. 1; FIG. 6 is a side view, seen from the top of FIG. 1; FIG. 7 is a reduced perspective view of the top of the housing; and, FIG. 8 is a reduced perspective view of the bottom of the housing.

1 Claim, 8 Drawing Sheets

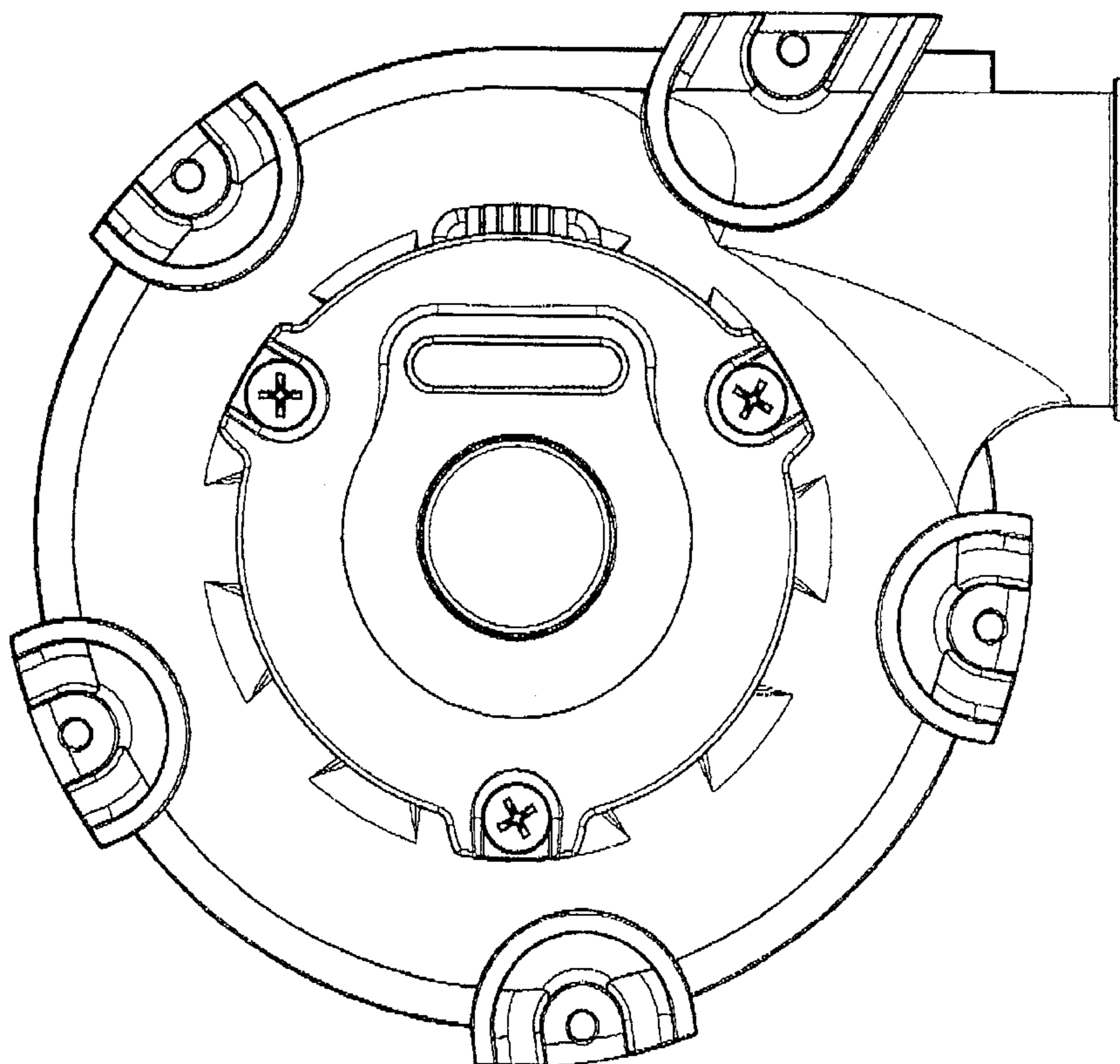


FIG. 1

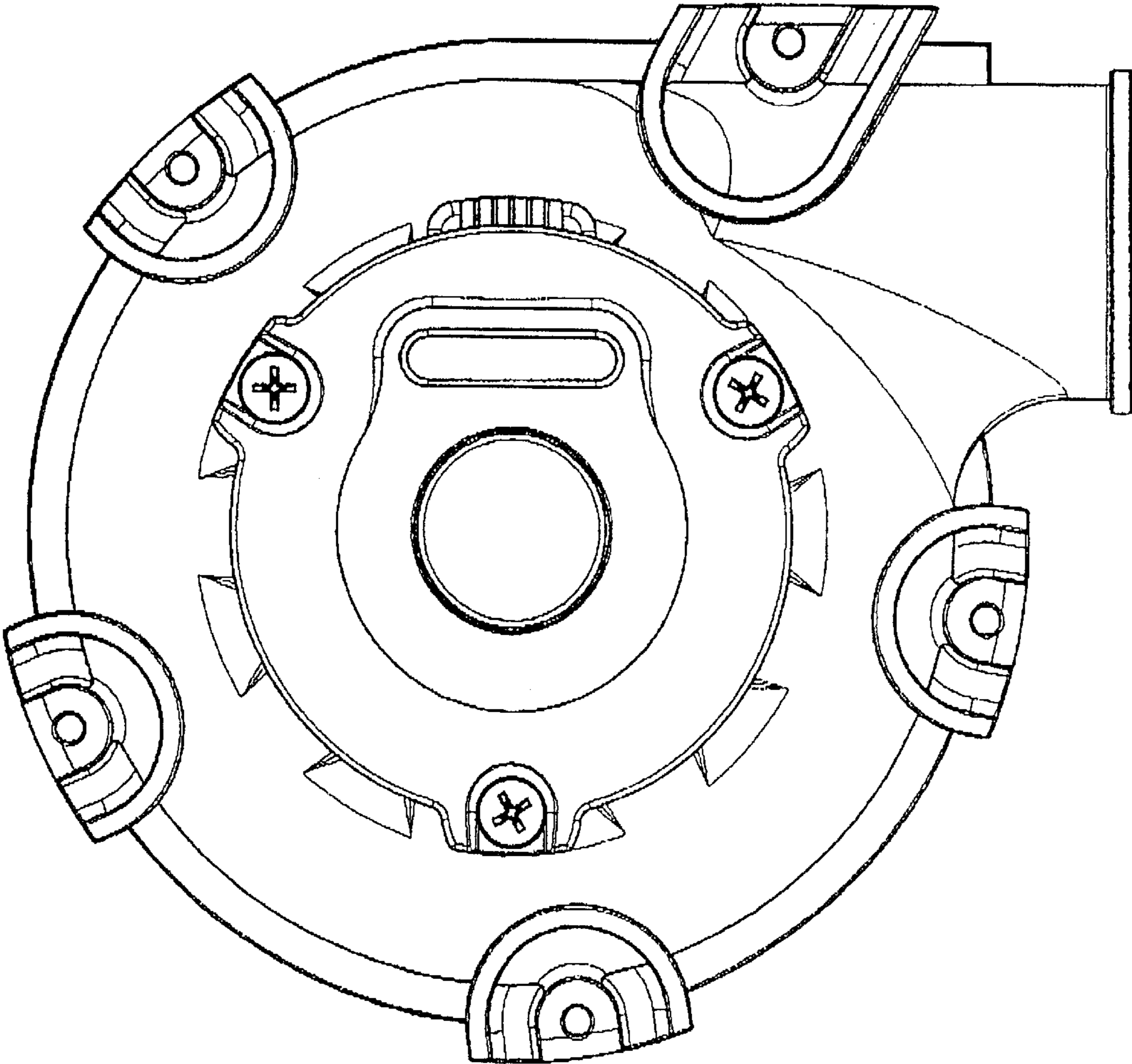


FIG. 2

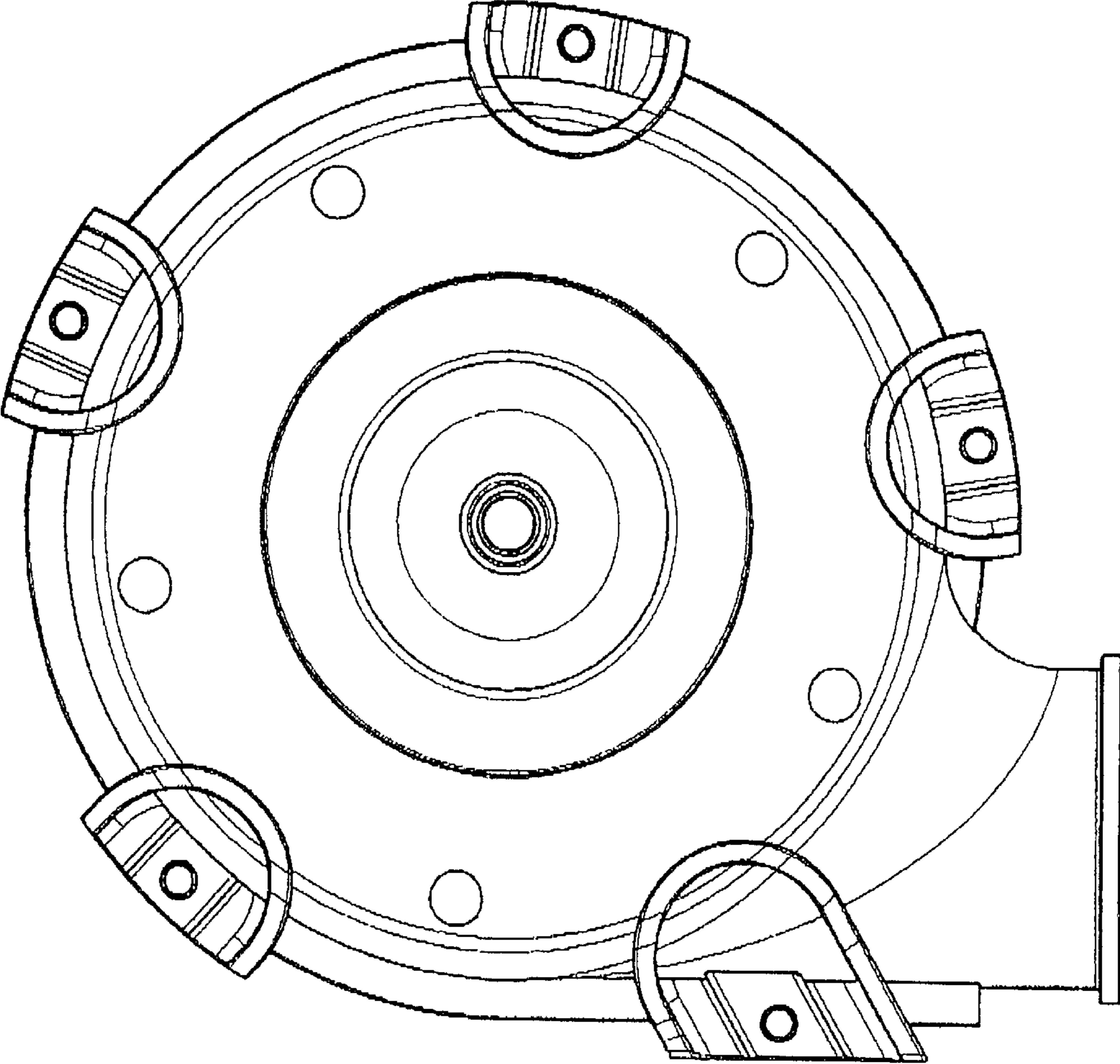


FIG. 3



FIG. 4

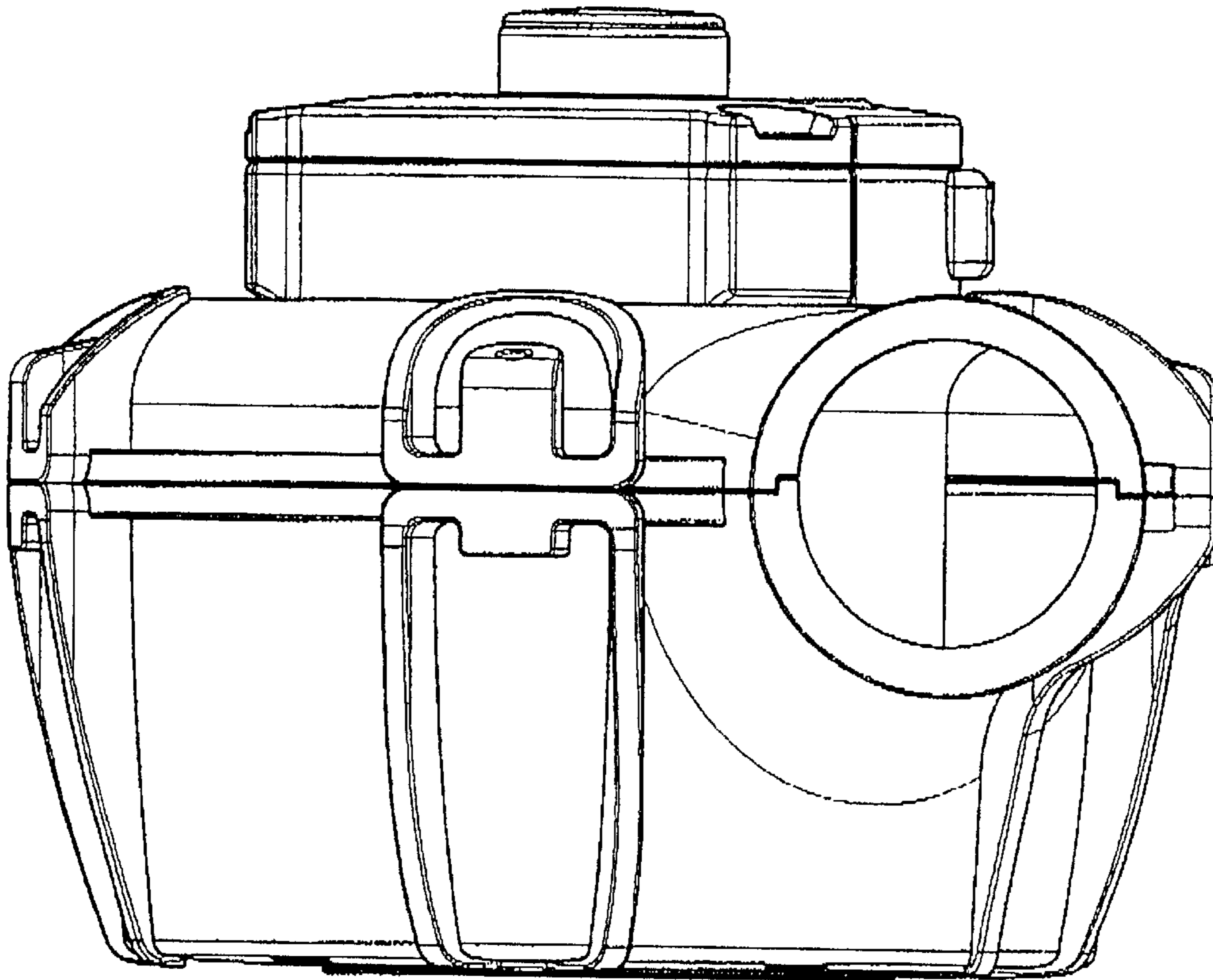


FIG. 5



FIG. 6

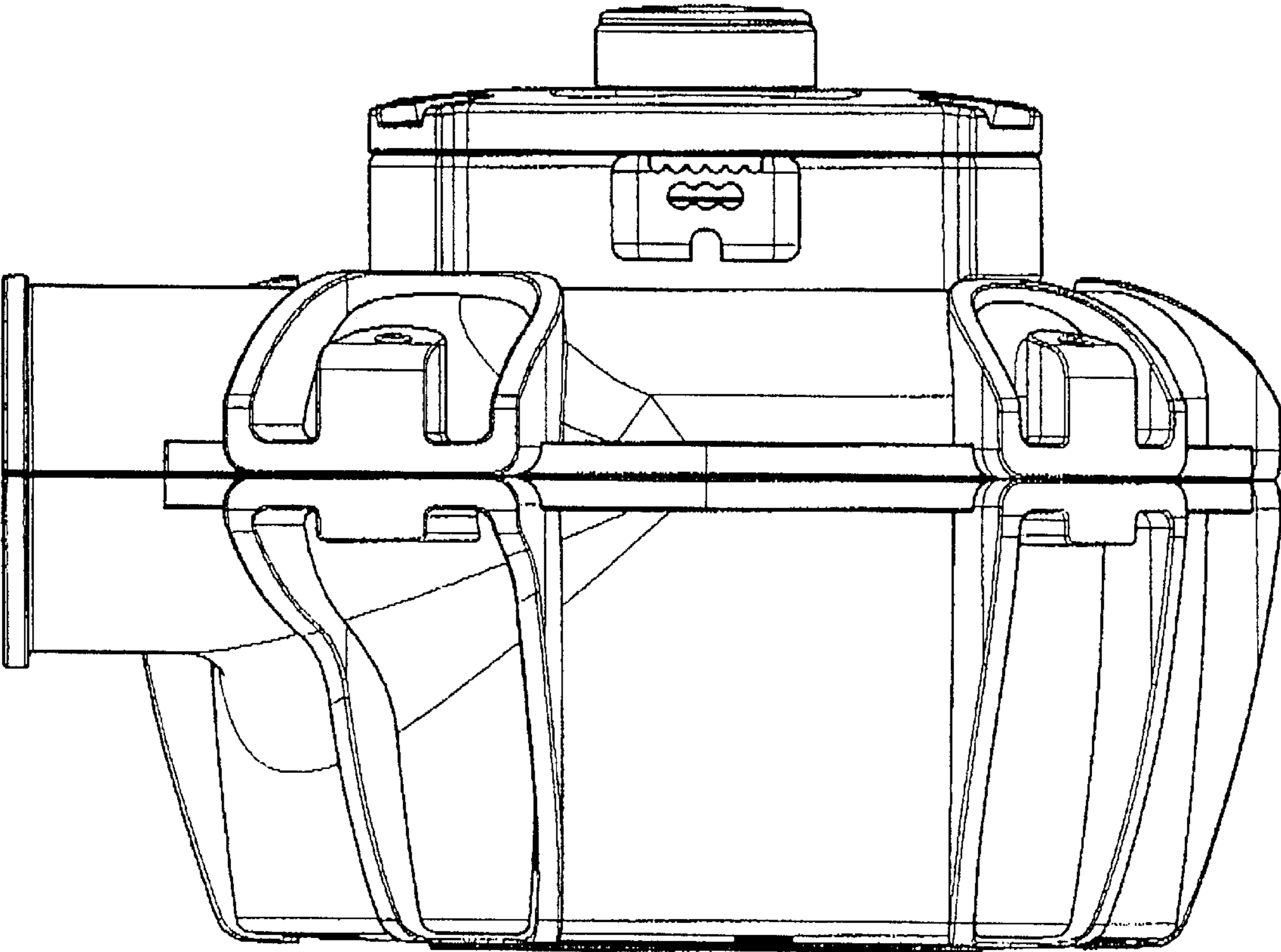


FIG. 7

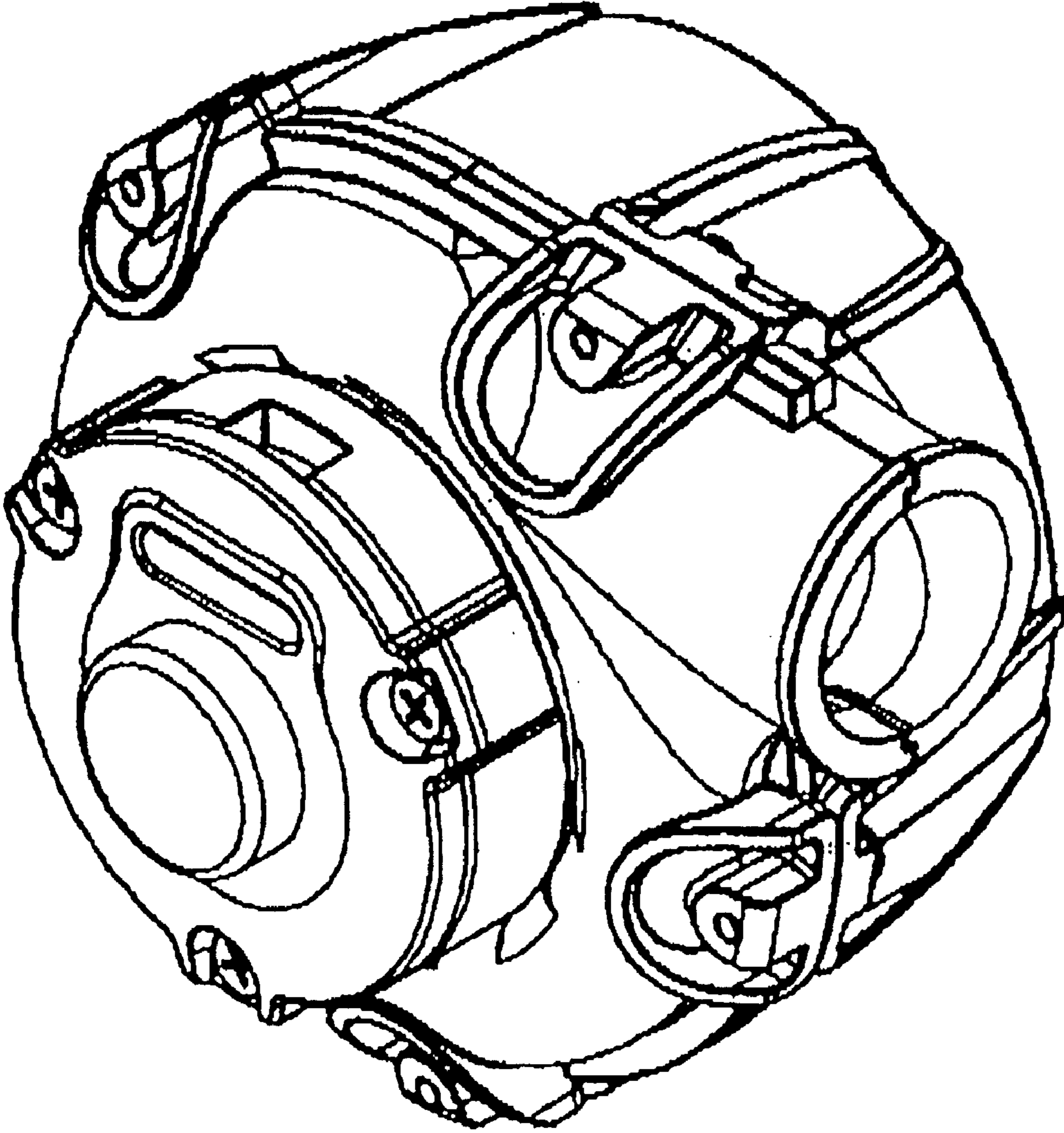


FIG. 8

