



US00D537517S

(12) **United States Design Patent**  
**Hancock**

(10) **Patent No.:** **US D537,517 S**

(45) **Date of Patent:** **\*\* Feb. 27, 2007**

(54) **HEATING, VENTILATING AND AIR  
CONDITIONING BLOWER HOUSING**

(75) Inventor: **Stephen S. Hancock**, Flint, TX (US)

(73) Assignee: **American Standard International,  
Inc.**, New York, NY (US)

(\*\*) Term: **14 Years**

(21) Appl. No.: **29/224,572**

(22) Filed: **Mar. 3, 2005**

(51) **LOC (8) Cl.** ..... **23-04**

(52) **U.S. Cl.** ..... **D23/383**

(58) **Field of Classification Search** ..... D23/383,  
D23/370; 415/204, 206, 213.1, 214.1  
See application file for complete search history.

(56) **References Cited**

**U.S. PATENT DOCUMENTS**

5,141,397	A	*	8/1992	Sullivan	.....	415/206
2004/0253092	A1		12/2004	Hancock		
2004/0253098	A1		12/2004	Hancock		
2004/0253099	A1		12/2004	Hancock		
2004/0253101	A1		12/2004	Hancock		

**OTHER PUBLICATIONS**

“Air-Tite Air Handlers”, Publication No. 72-1191-01,  
Copyrighted 2004.

\* cited by examiner

*Primary Examiner*—Lisa Lichtenstein

(74) *Attorney, Agent, or Firm*—William J. Beres; William  
O’Driscoll

(57) **CLAIM**

The ornamental design for a heating, ventilating and air  
conditioning blower housing, as shown and described.

**DESCRIPTION**

FIG. 1 is a perspective view of the heating, ventilating and  
air conditioning blower housing showing our new design;  
FIG. 2 is a front view thereof;  
FIG. 3 is a left side view thereof;  
FIG. 4 is a right side view thereof;  
FIG. 5 is a top view thereof; and,  
FIG. 6 is a bottom view thereof; and  
FIG. 7 is a back view thereof.

**1 Claim, 4 Drawing Sheets**

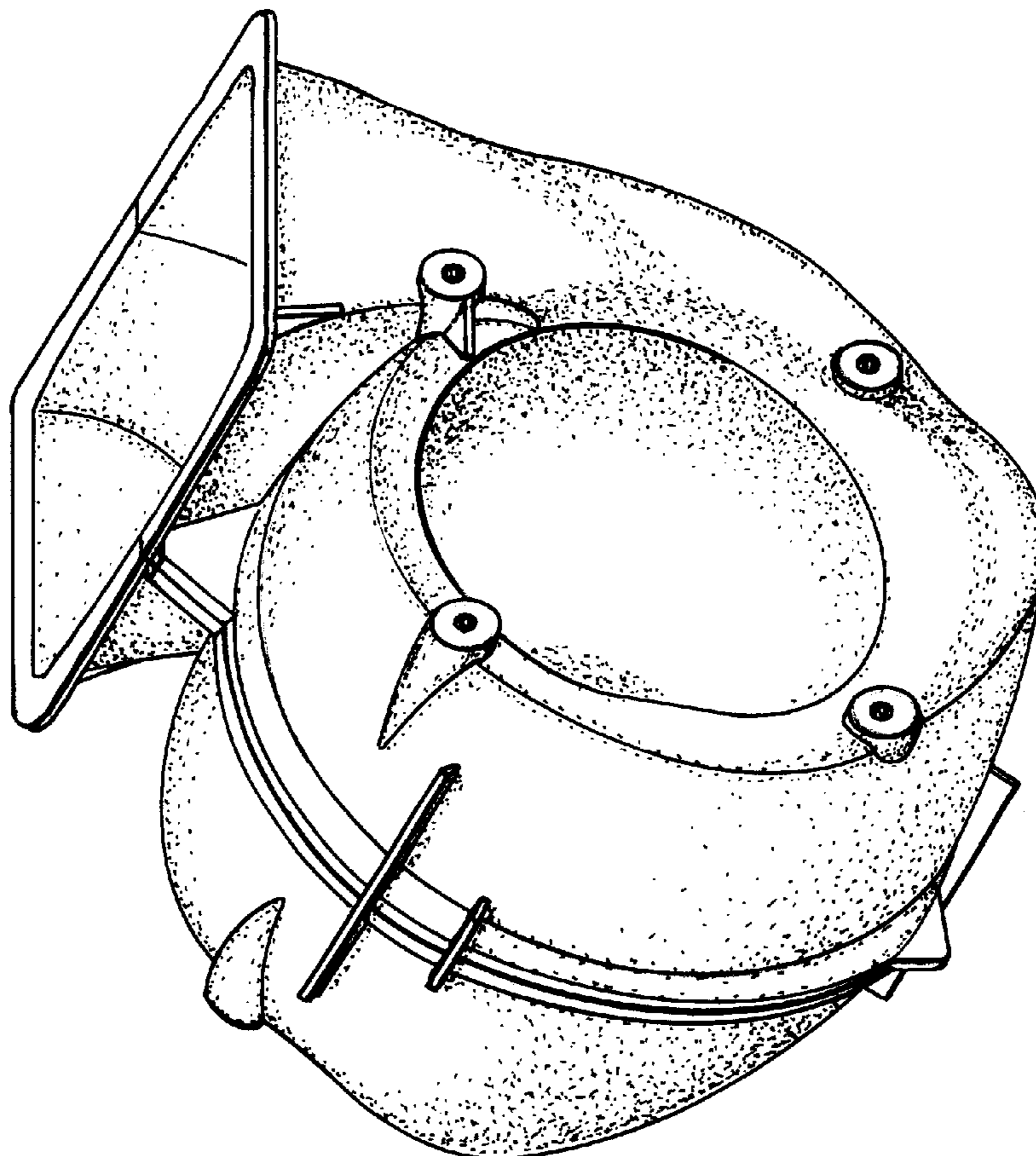


FIG. 1

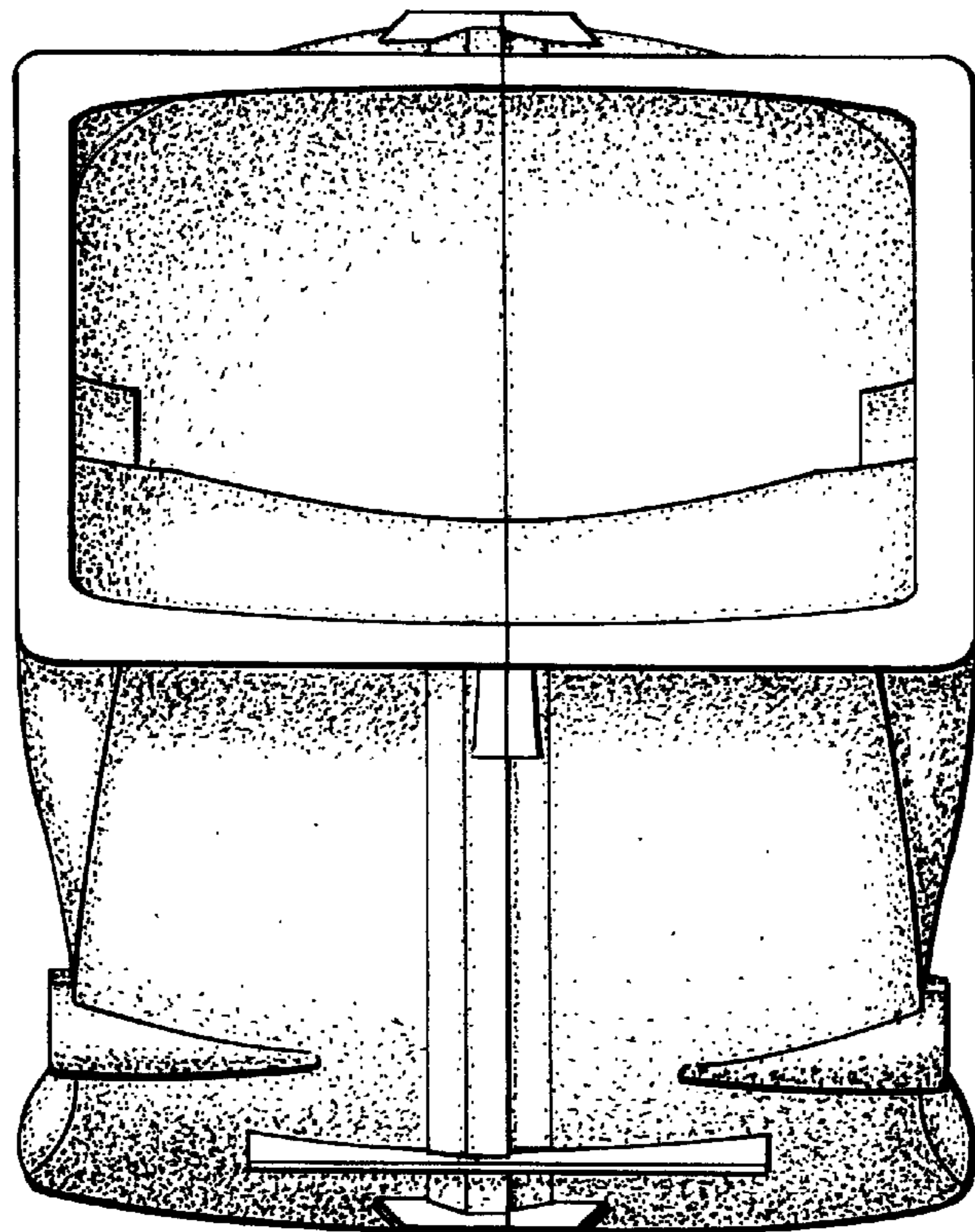
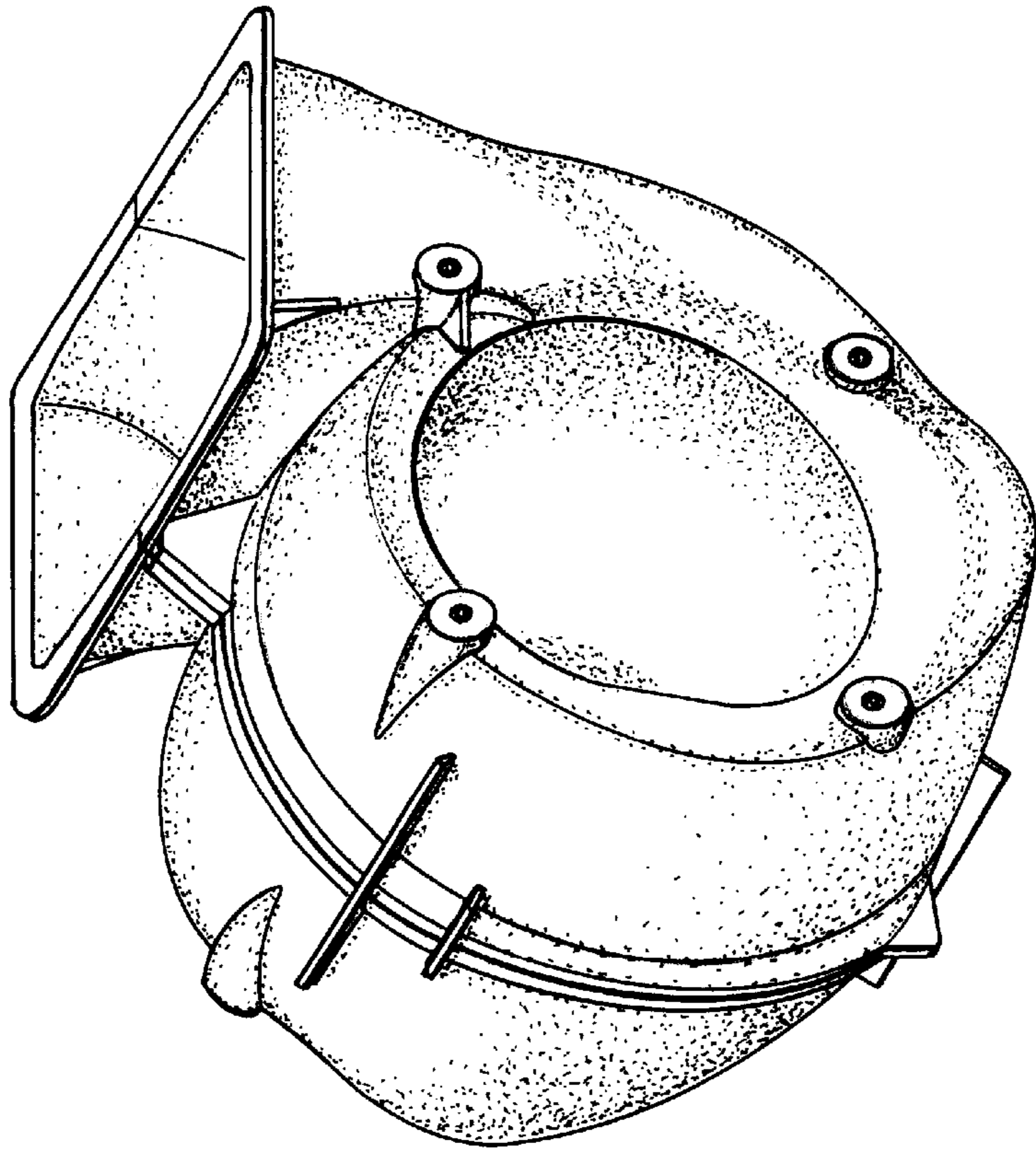


FIG. 2

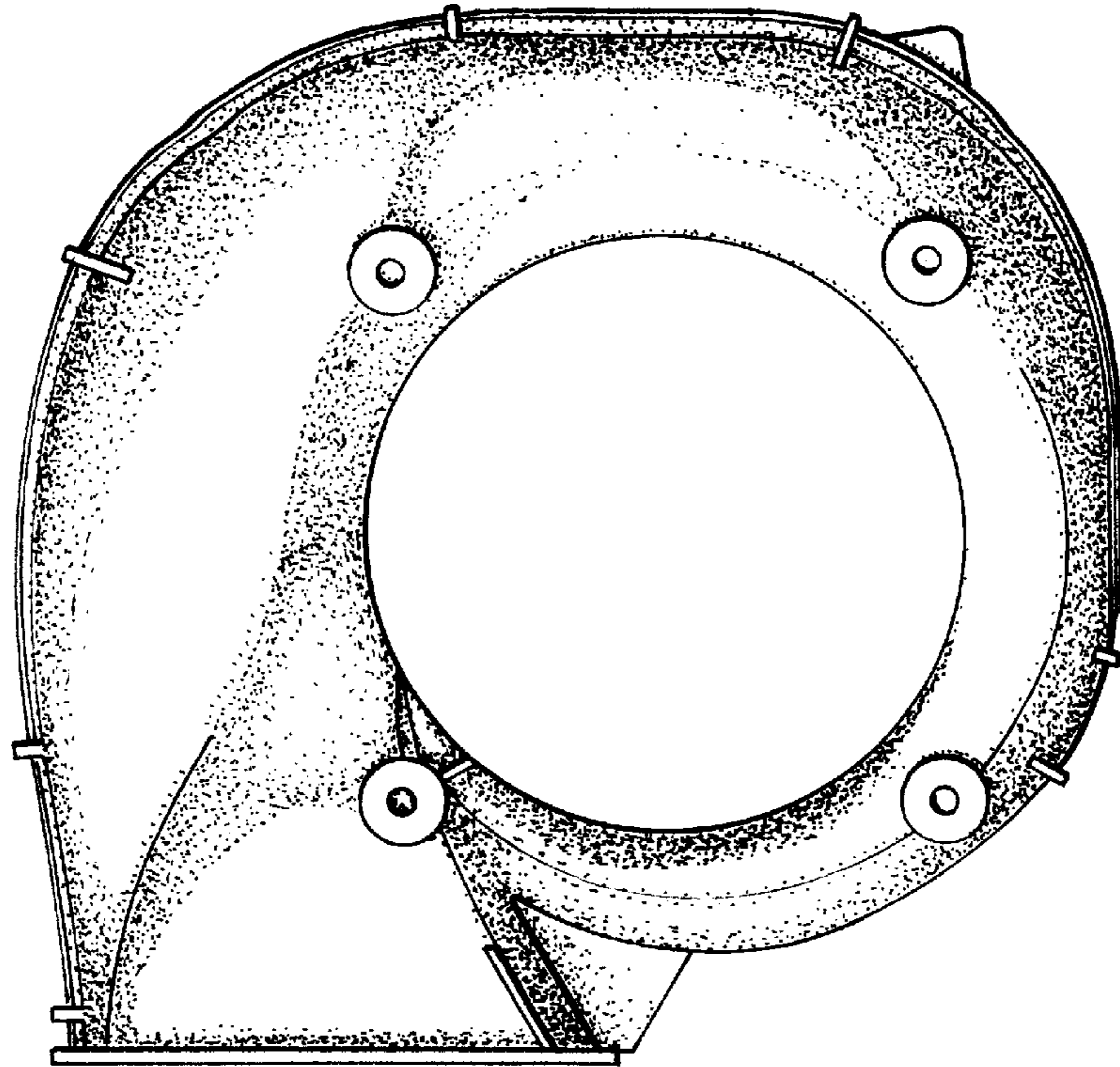


FIG. 4

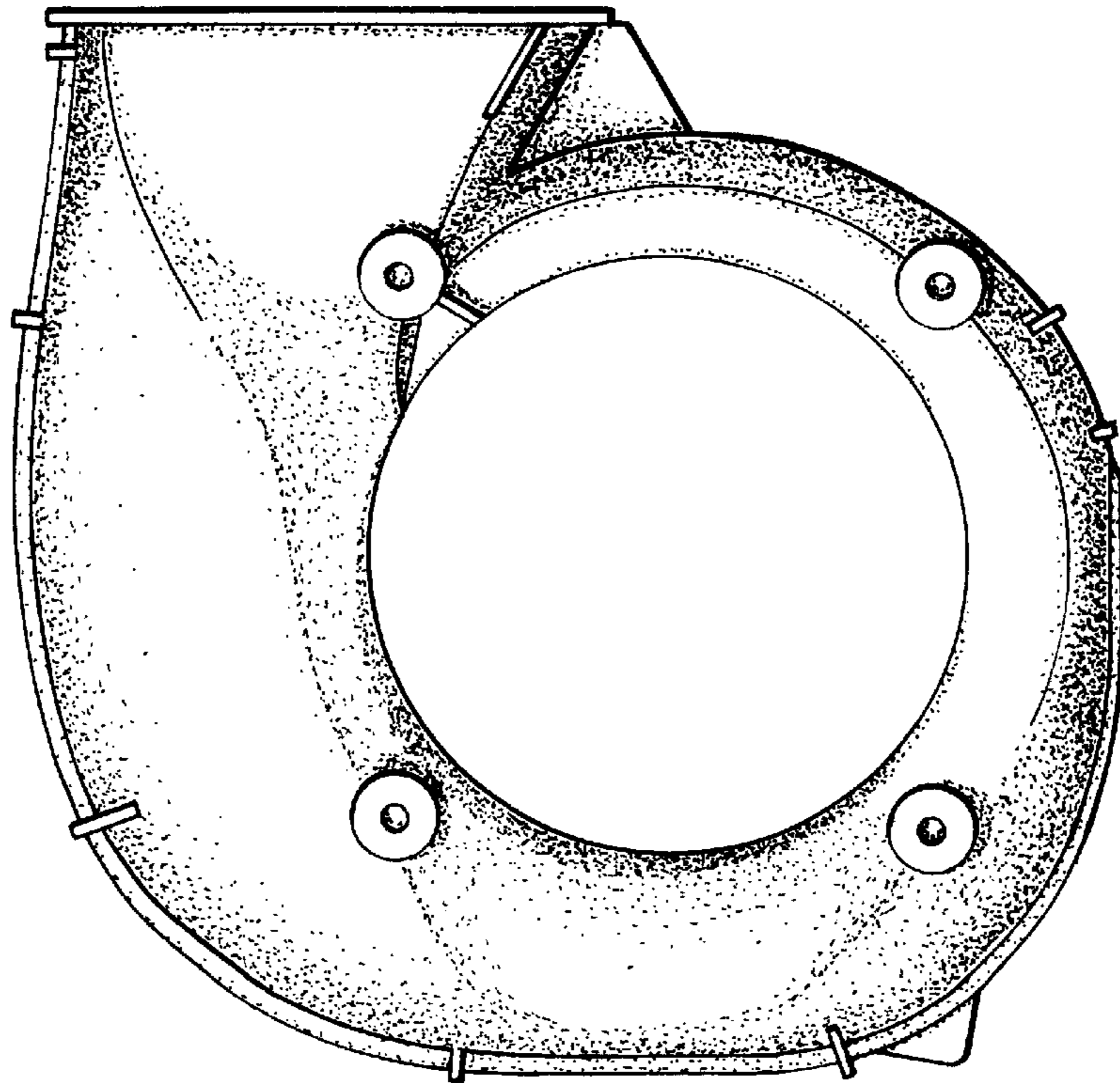


FIG. 3

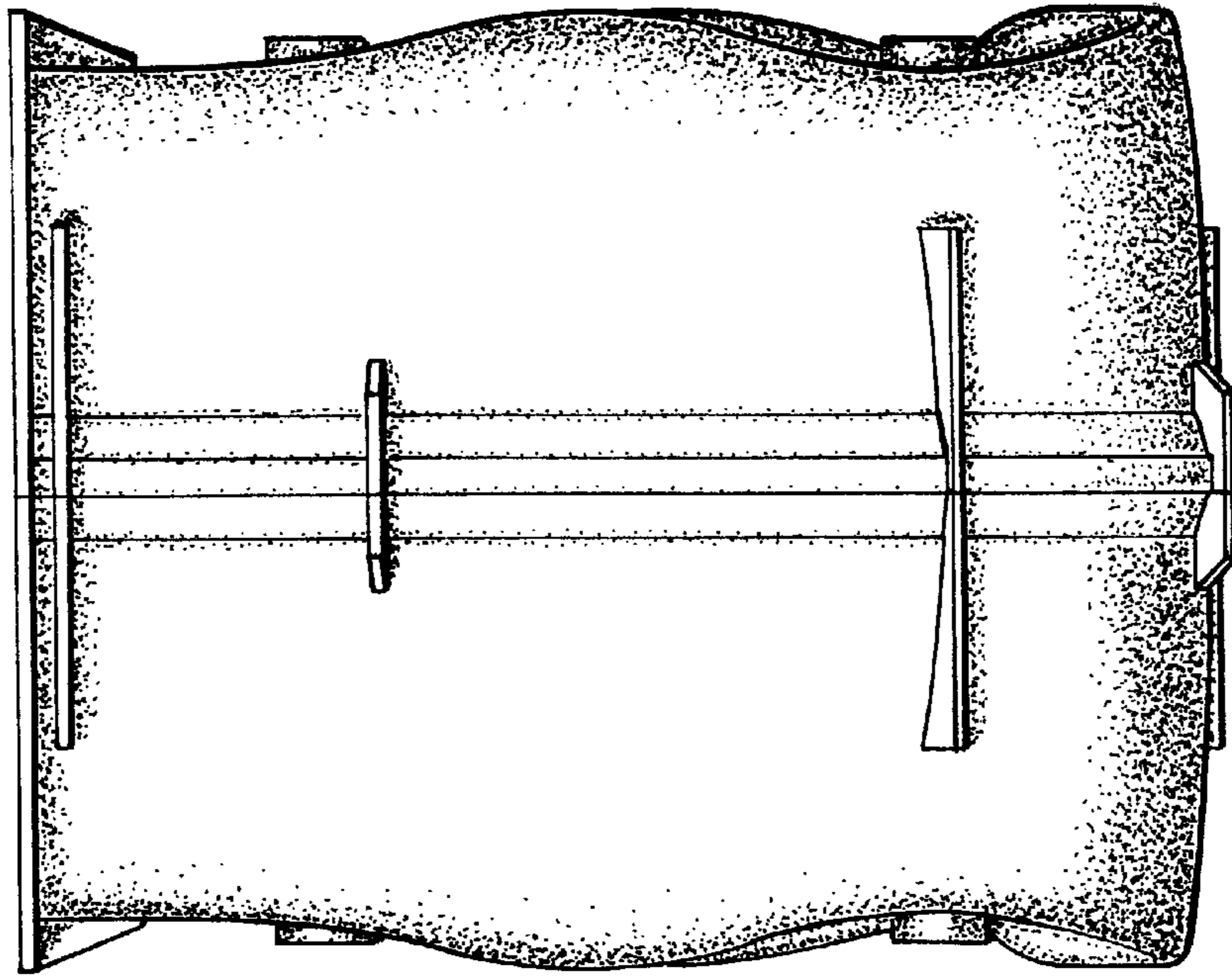


FIG. 6

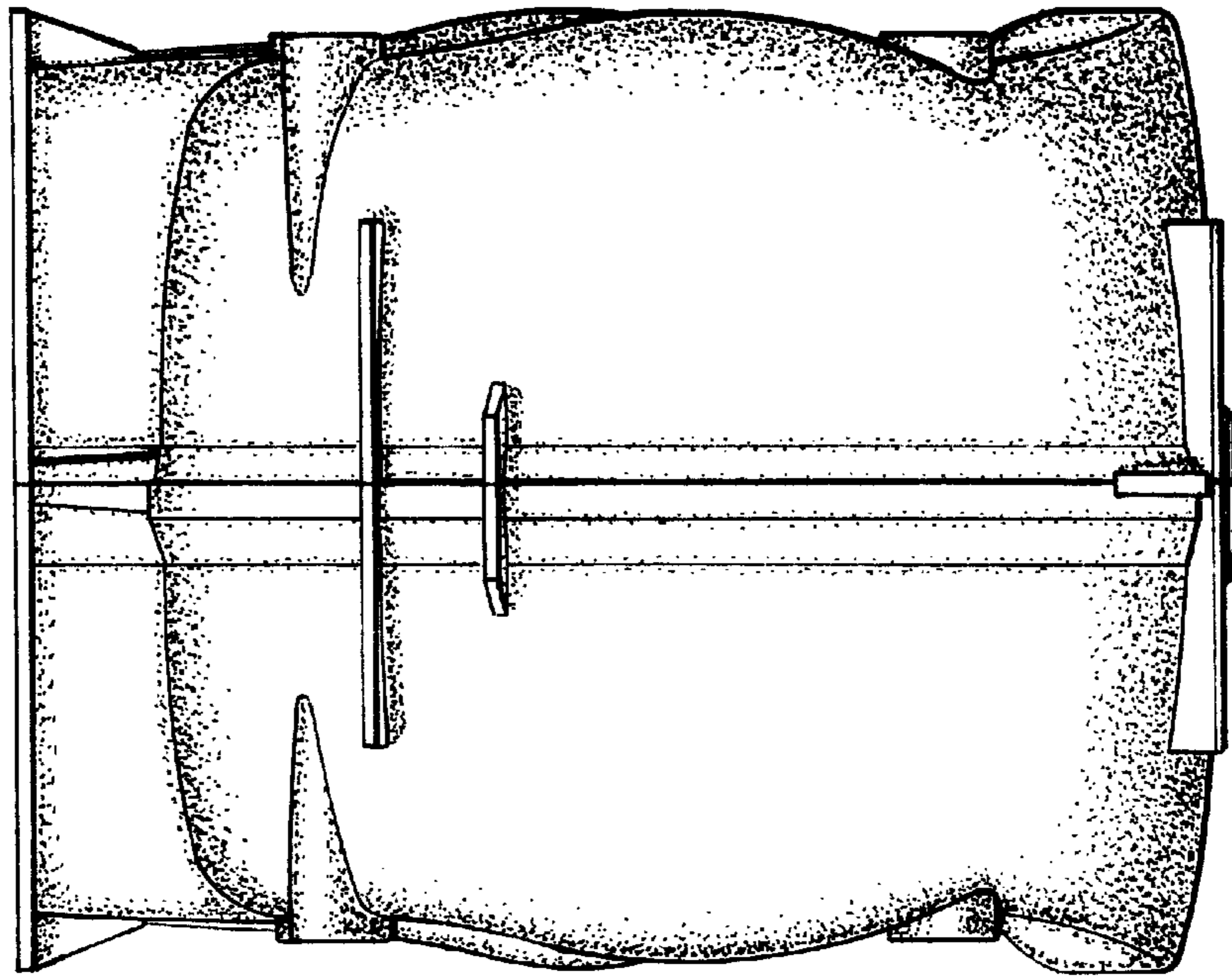


FIG. 5

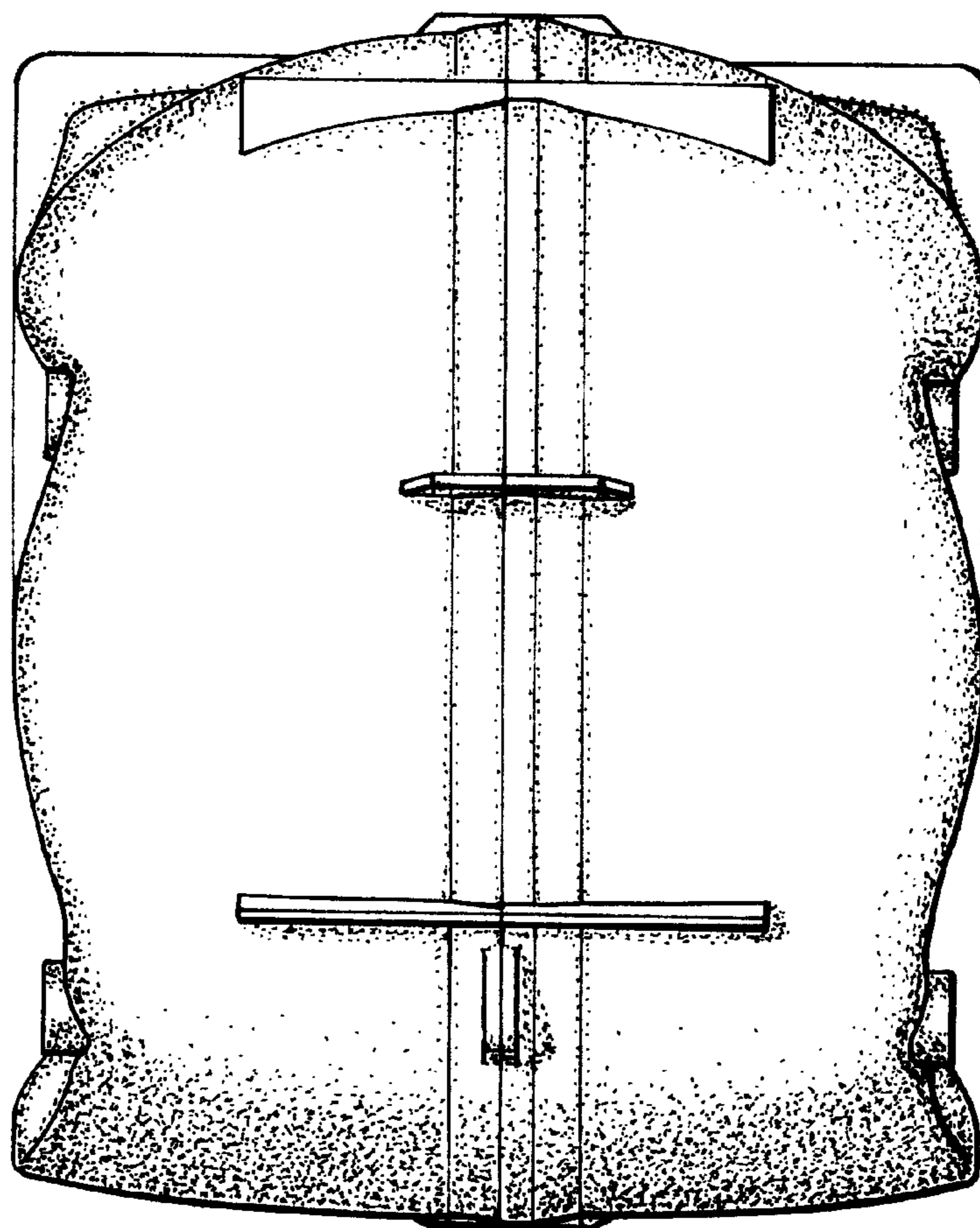


FIG. 7