

US00D537515S

(12) **United States Design Patent**  
**Ediger et al.**

(10) **Patent No.:** **US D537,515 S**

(45) **Date of Patent:** **\*\* Feb. 27, 2007**

(54) **SINGLE SUPPORT BASE FAN**

(75) Inventors: **Glen Ediger**, North Newton, KS (US);  
**Matthew Lynn Rice**, Derby, KS (US)

(73) Assignee: **Vornado Air Circulation Systems, Inc.**, Andover, KS (US)

(\*\*) Term: **14 Years**

(21) Appl. No.: **29/239,510**

(22) Filed: **Sep. 30, 2005**

(51) **LOC (8) Cl.** ..... **23-04**

(52) **U.S. Cl.** ..... **D23/382**

(58) **Field of Classification Search** ..... D23/370,  
D23/382, 381, 336, 337; 416/247 R, 246 R  
See application file for complete search history.

(56) **References Cited**

U.S. PATENT DOCUMENTS

D325,435 S	4/1992	Coup et al.	
D329,089 S	9/1992	Coup et al.	
5,431,544 A *	7/1995	Hsu et al. ....	416/246
D398,983 S	9/1998	Keller et al.	
D429,808 S *	8/2000	Krauss et al. ....	D23/411

\* cited by examiner

*Primary Examiner*—Lisa Lichtenstein

(74) *Attorney, Agent, or Firm*—Stinson Morrison Hecker LLP

(57) **CLAIM**

The ornamental design for a single support base fan, as shown and described.

**DESCRIPTION**

FIG. 1 is a front left side perspective view of the single support base fan;

FIG. 2 is a front elevational view of the single support base fan of FIG. 1;

FIG. 3 is a rear elevational view of the single support base fan of FIG. 1;

FIG. 4 is a left side elevational view of the single support base fan of FIG. 1;

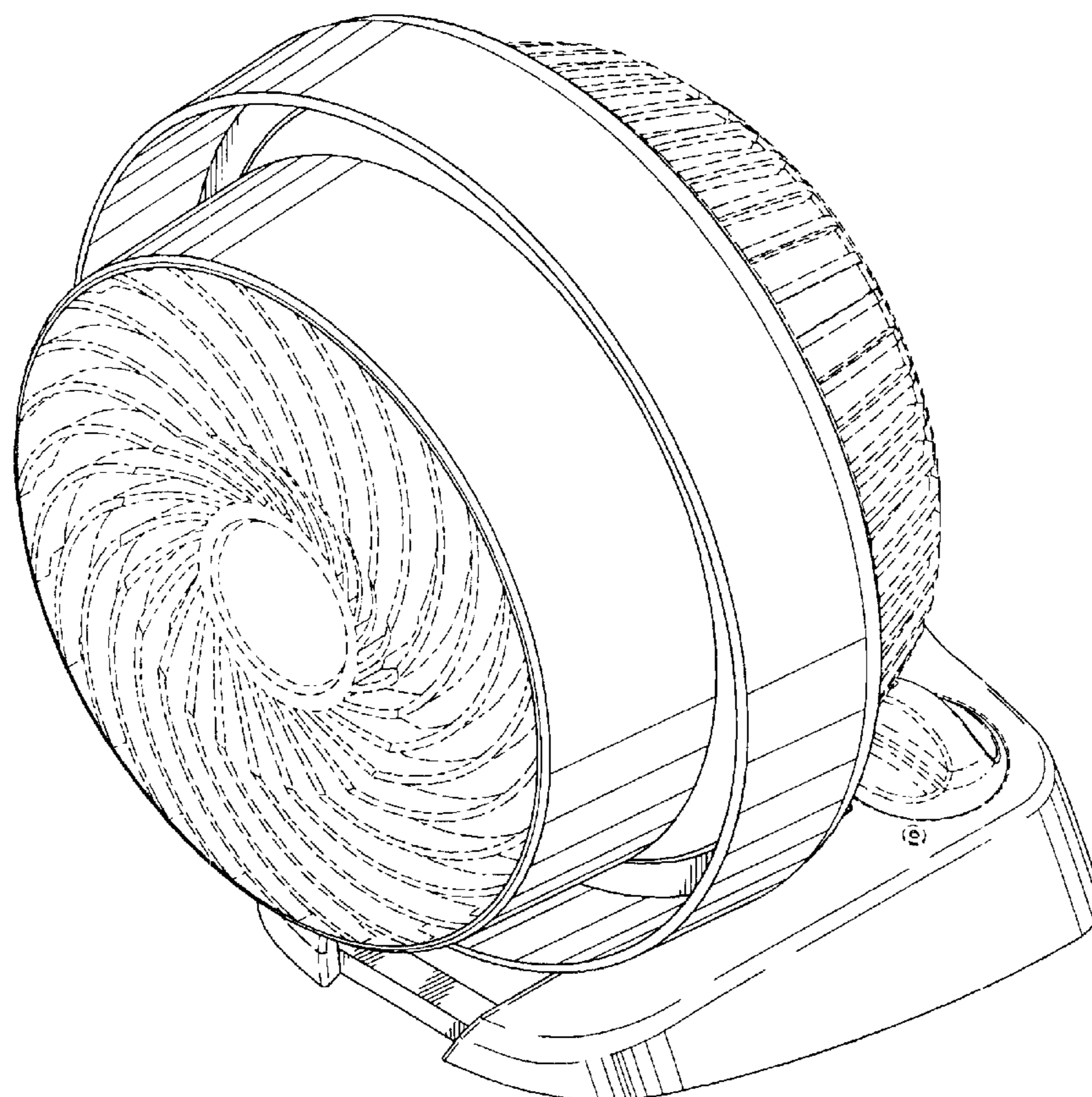
FIG. 5 is a right side elevational view of the single support base fan of FIG. 1;

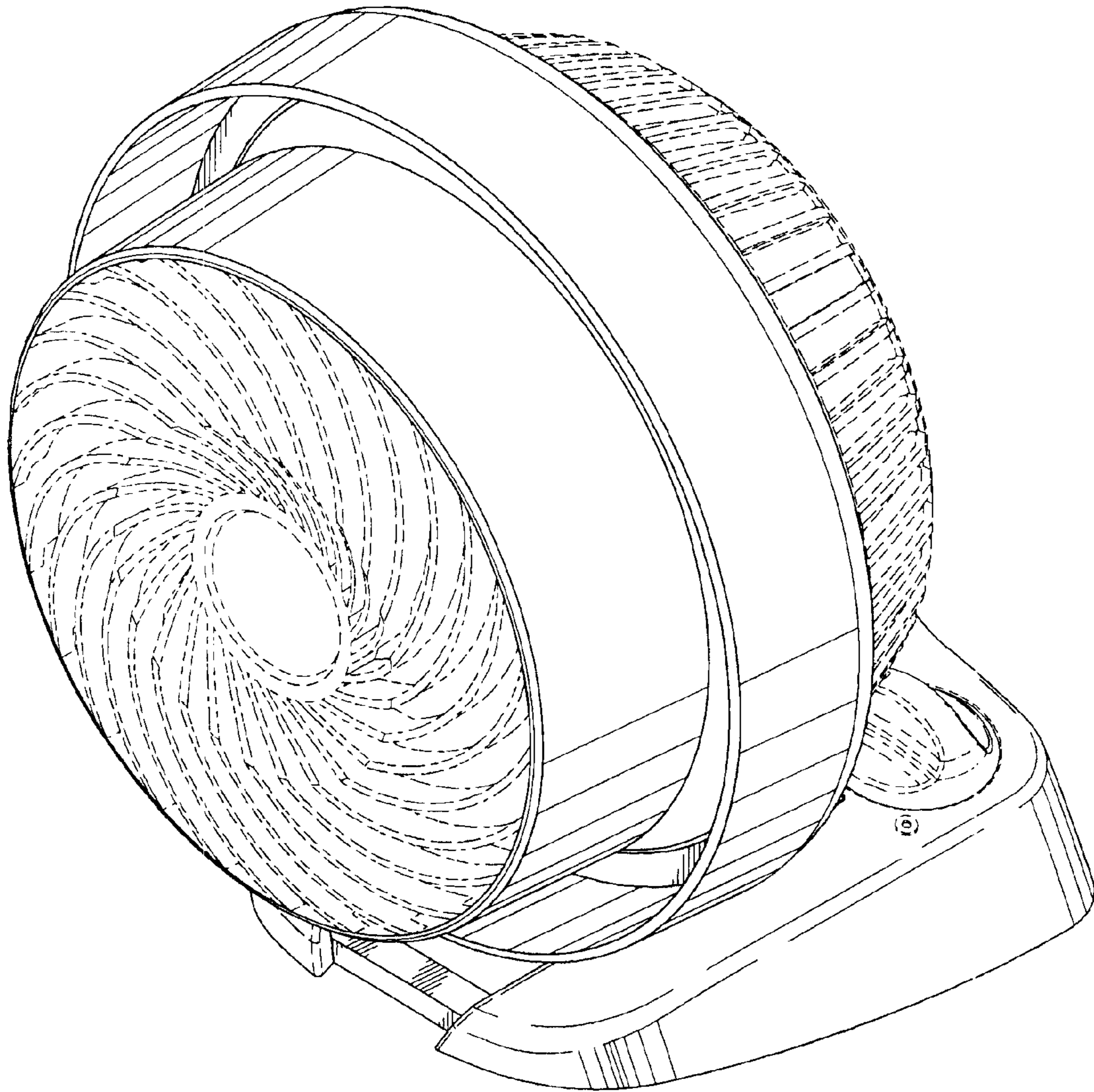
FIG. 6 is a top plan view of the single support base fan of FIG. 1; and,

FIG. 7 is a bottom plan view of the single support base fan of FIG. 1.

The broken line showing of environmental structure is for illustrative purposes only and forms no part of the claimed design.

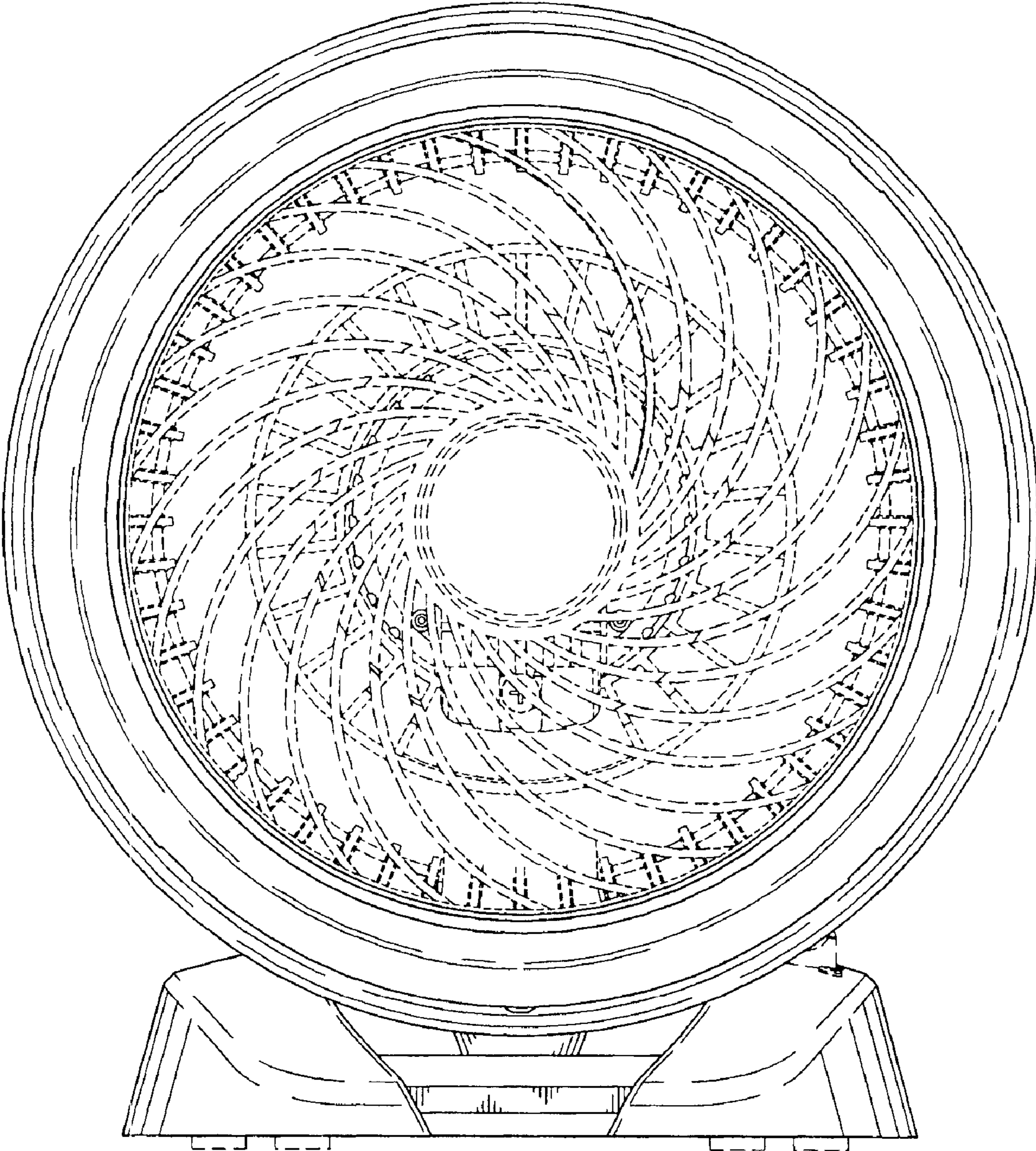
**1 Claim, 7 Drawing Sheets**



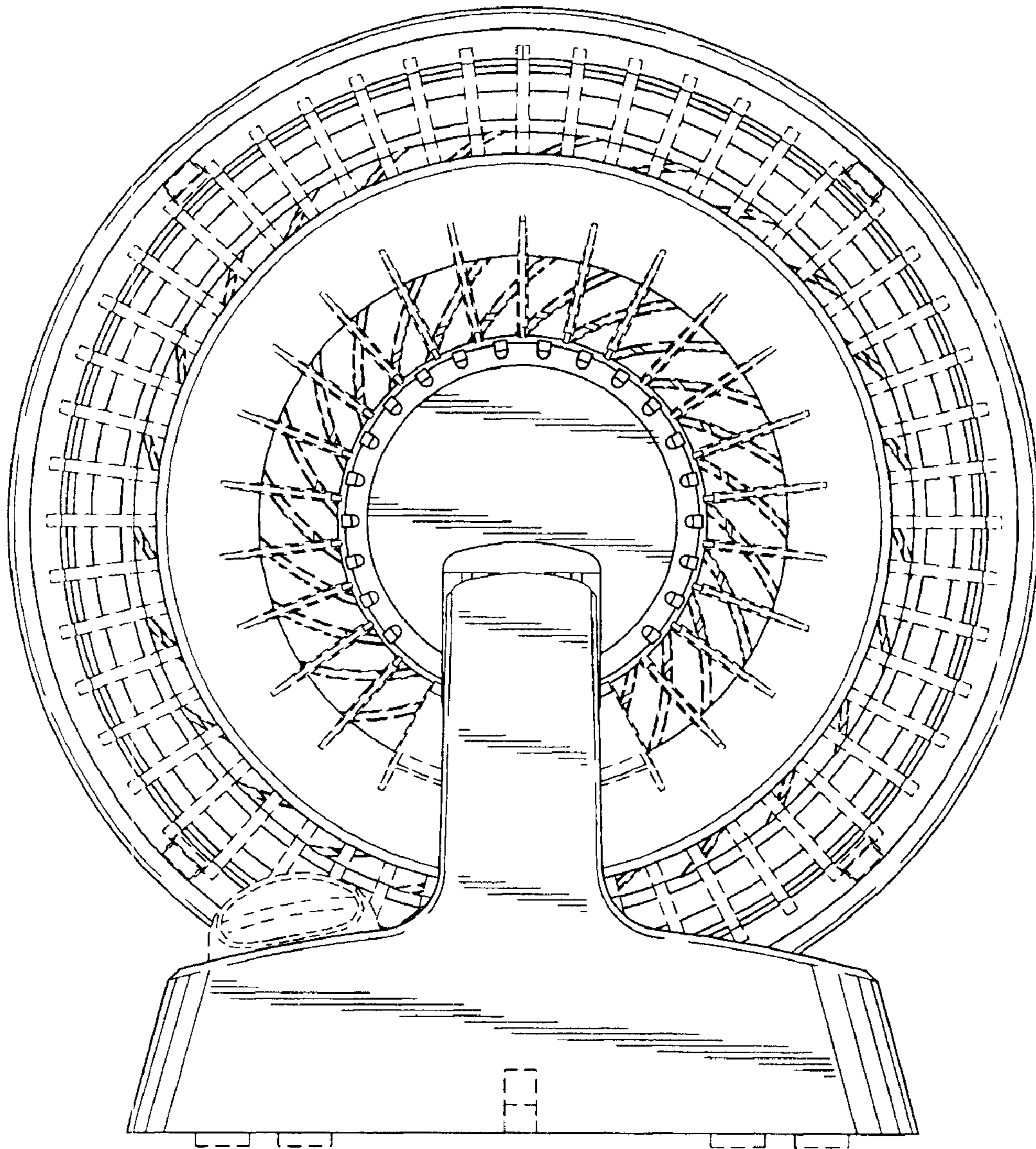


*FIG. 1*

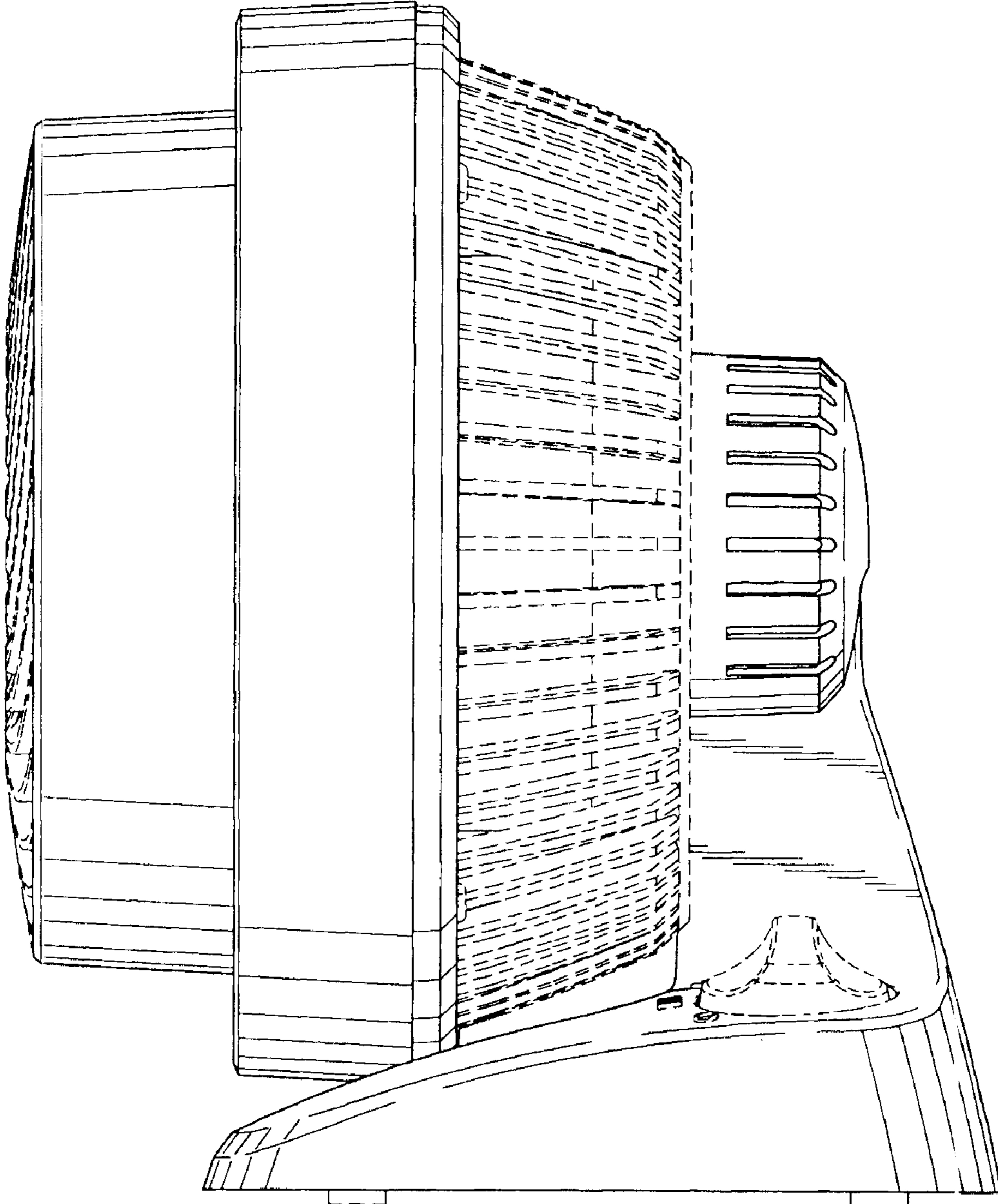




*FIG. 2*

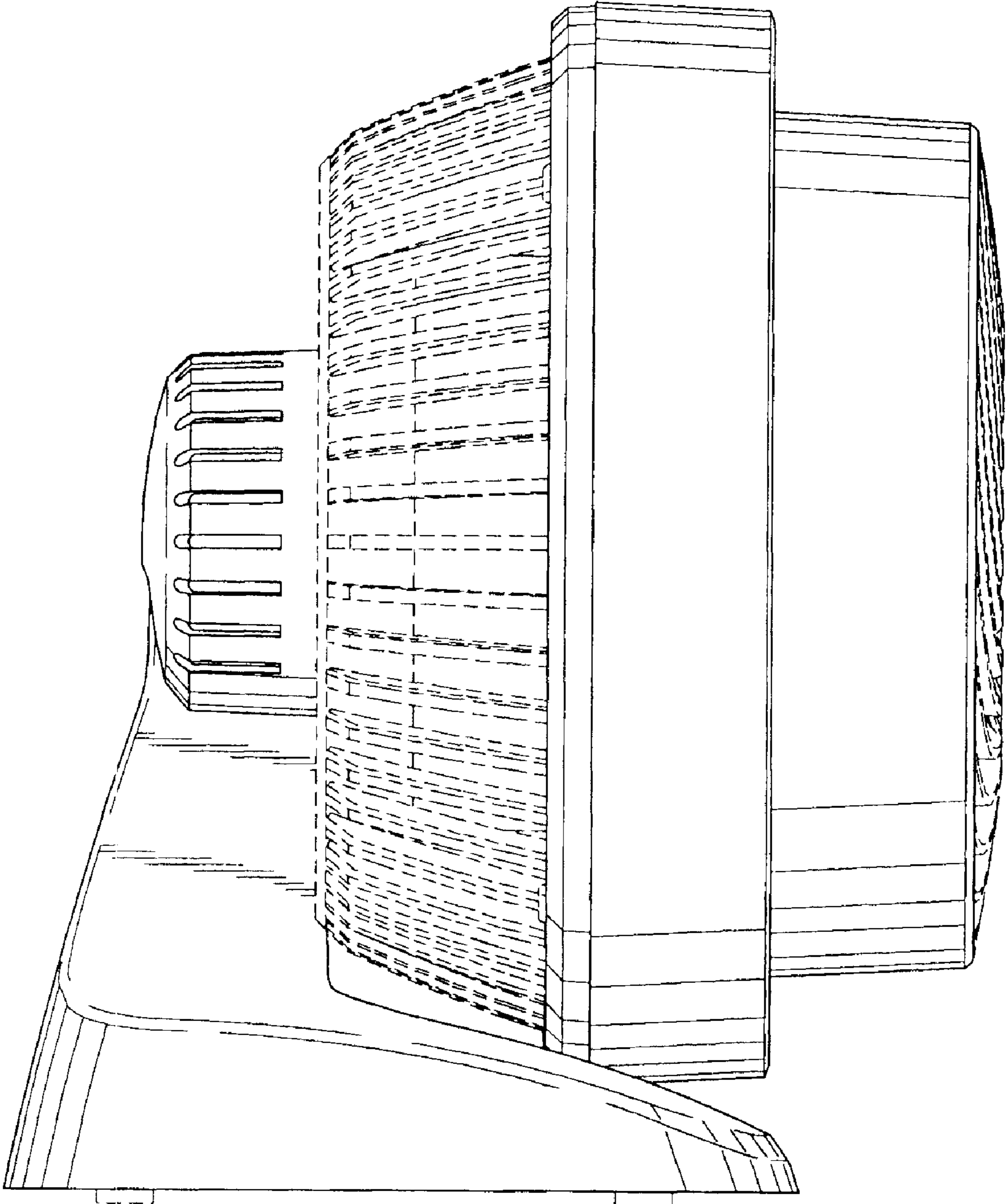


*FIG. 3*

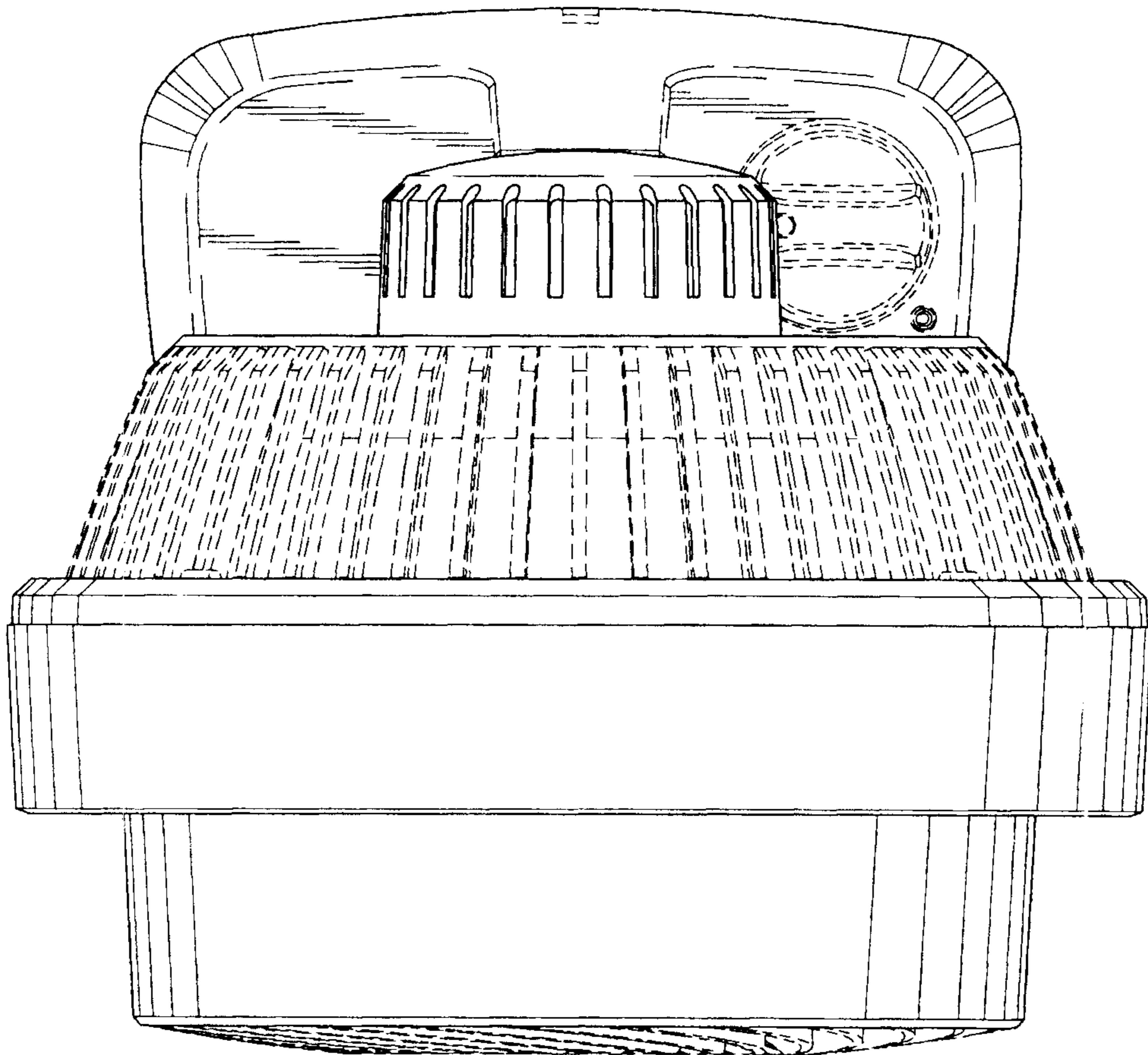


*FIG. 4*

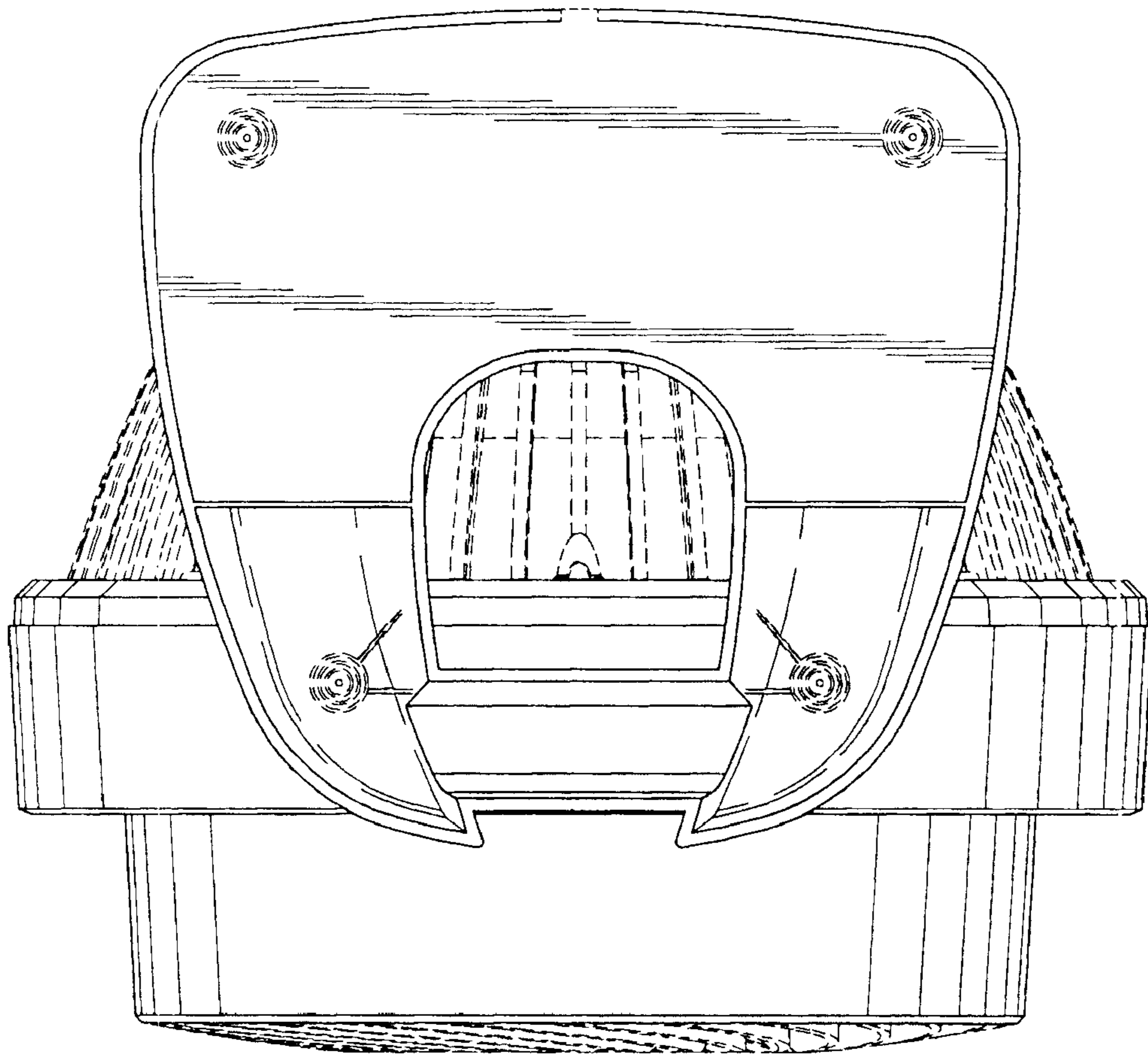




*FIG. 5*



*FIG. 6*



*FIG. 7*