



US00D537514S

(12) **United States Design Patent**
Chiang

(10) **Patent No.:** **US D537,514 S**

(45) **Date of Patent:** **** Feb. 27, 2007**

(54) **FAN**
(75) **Inventor:** **Tsung Hung Chiang, Taipei (TW)**
(73) **Assignee:** **Test Rite International Company, Ltd., Taipei (TW)**
(**) **Term:** **14 Years**

D352,105 S * 11/1994 Chen D23/380
D457,618 S * 5/2002 Lee et al. D23/382

* cited by examiner

Primary Examiner—Lisa Lichtenstein
(74) *Attorney, Agent, or Firm*—Bacon & Thomas, PLLC

(21) **Appl. No.:** **29/245,633**
(22) **Filed:** **Dec. 28, 2005**

(57) **CLAIM**

The ornamental design for a fan, as shown and described.

(51) **LOC (8) Cl.** **23-04**
(52) **U.S. Cl.** **D23/380**
(58) **Field of Classification Search** D23/380,
D23/370, 378, 381, 382, 335–336; 416/246,
416/247 R
See application file for complete search history.

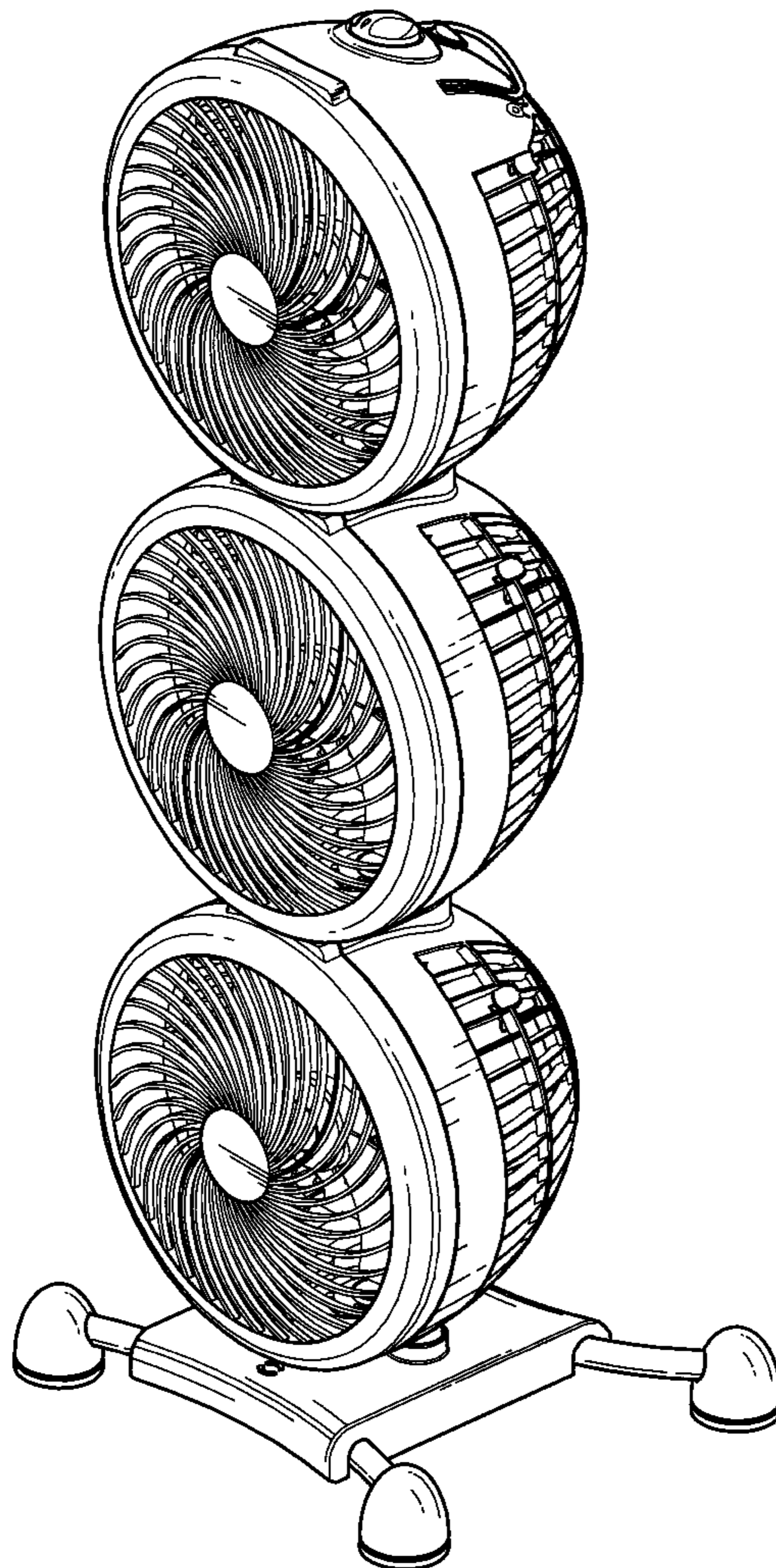
DESCRIPTION

FIG. 1 is a perspective view of a fan showing my new design.
FIG. 2 is a top plan view thereof;
FIG. 3 is a bottom plan view thereof
FIG. 4 is a front view thereof;
FIG. 5 is a rear view thereof;
FIG. 6 is a left side view thereof; and,
FIG. 7 is a right side view thereof.

(56) **References Cited**
U.S. PATENT DOCUMENTS

2,626,742 A * 1/1953 Turner 416/120

1 Claim, 6 Drawing Sheets



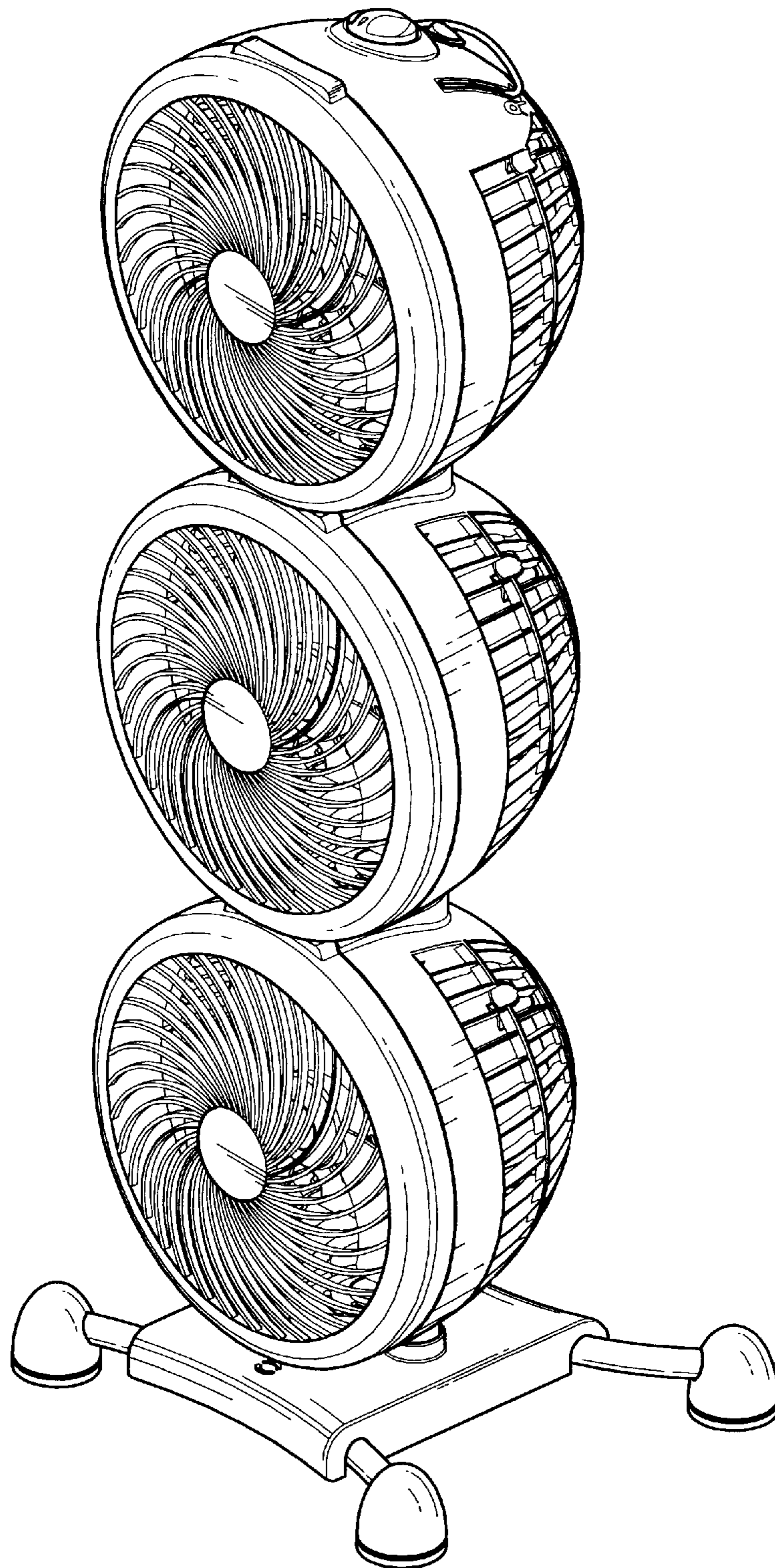


Fig. 1

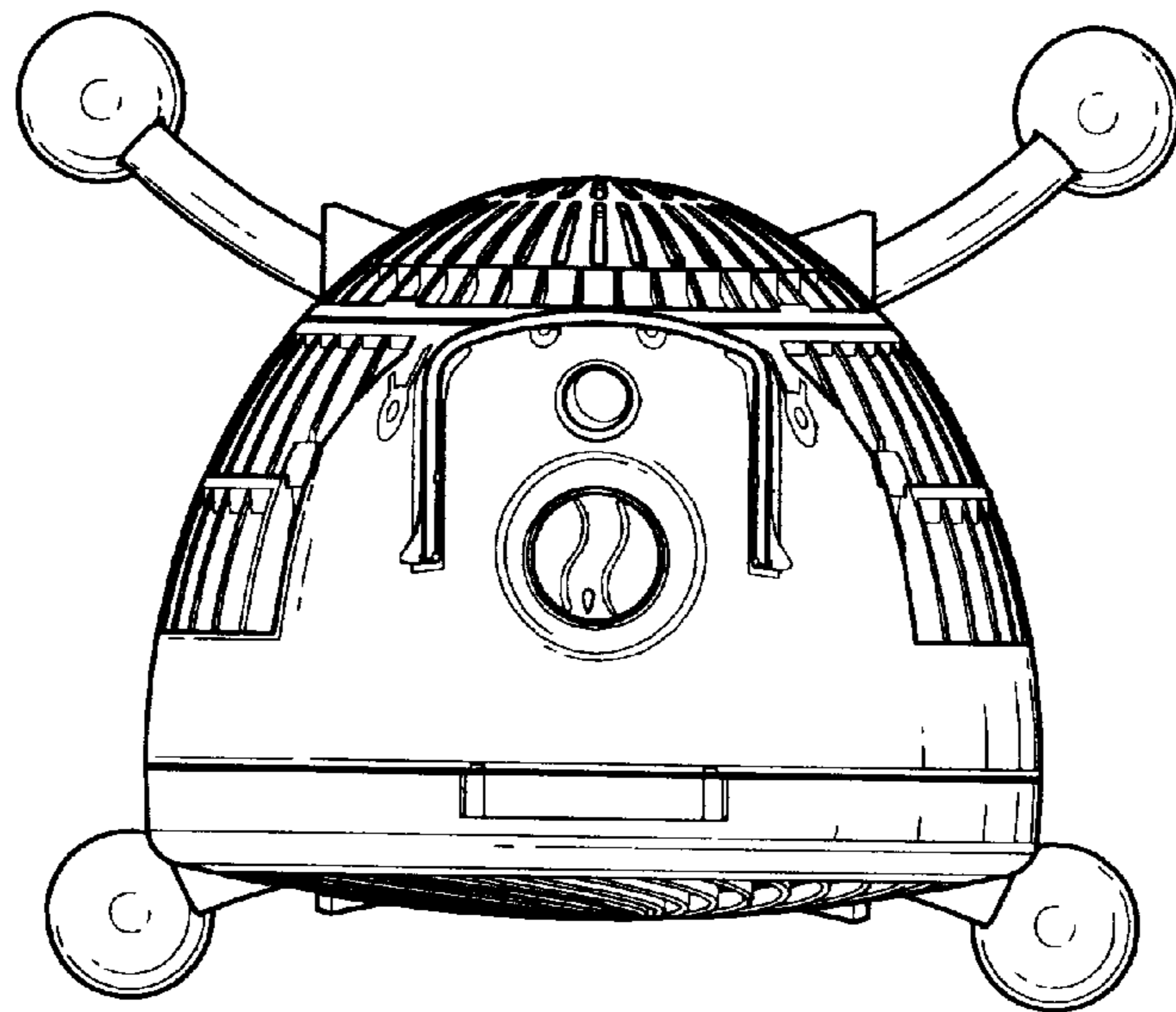


Fig. 2

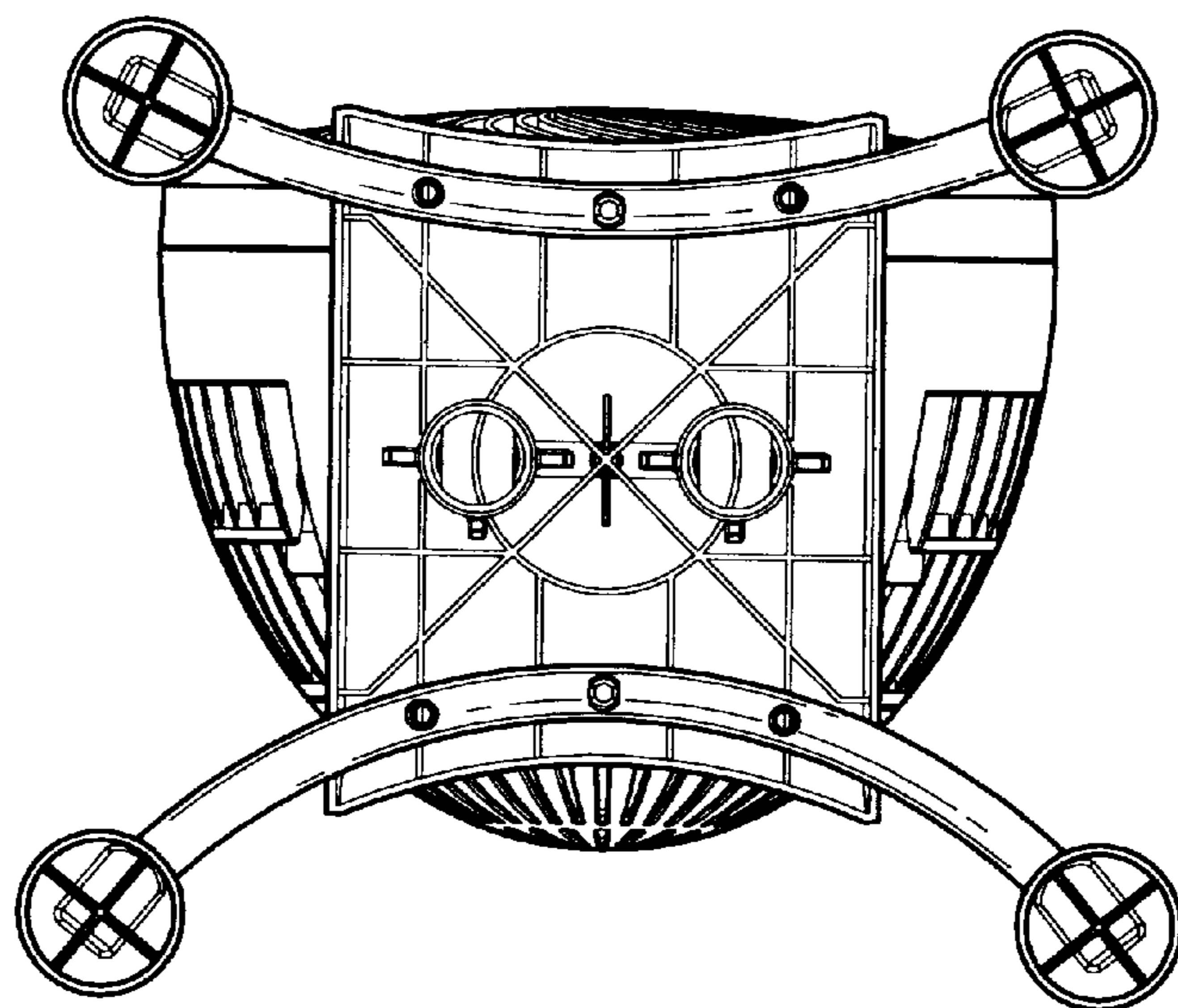


Fig. 3

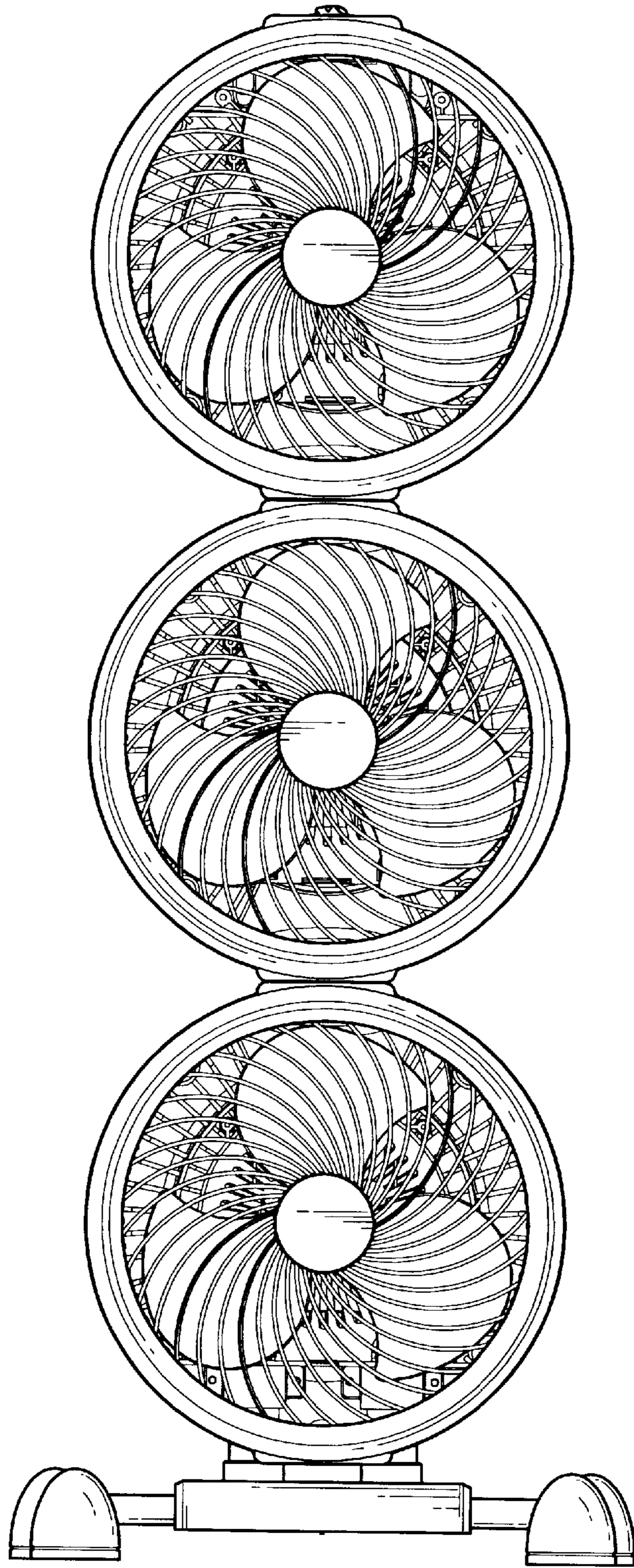


Fig. 4

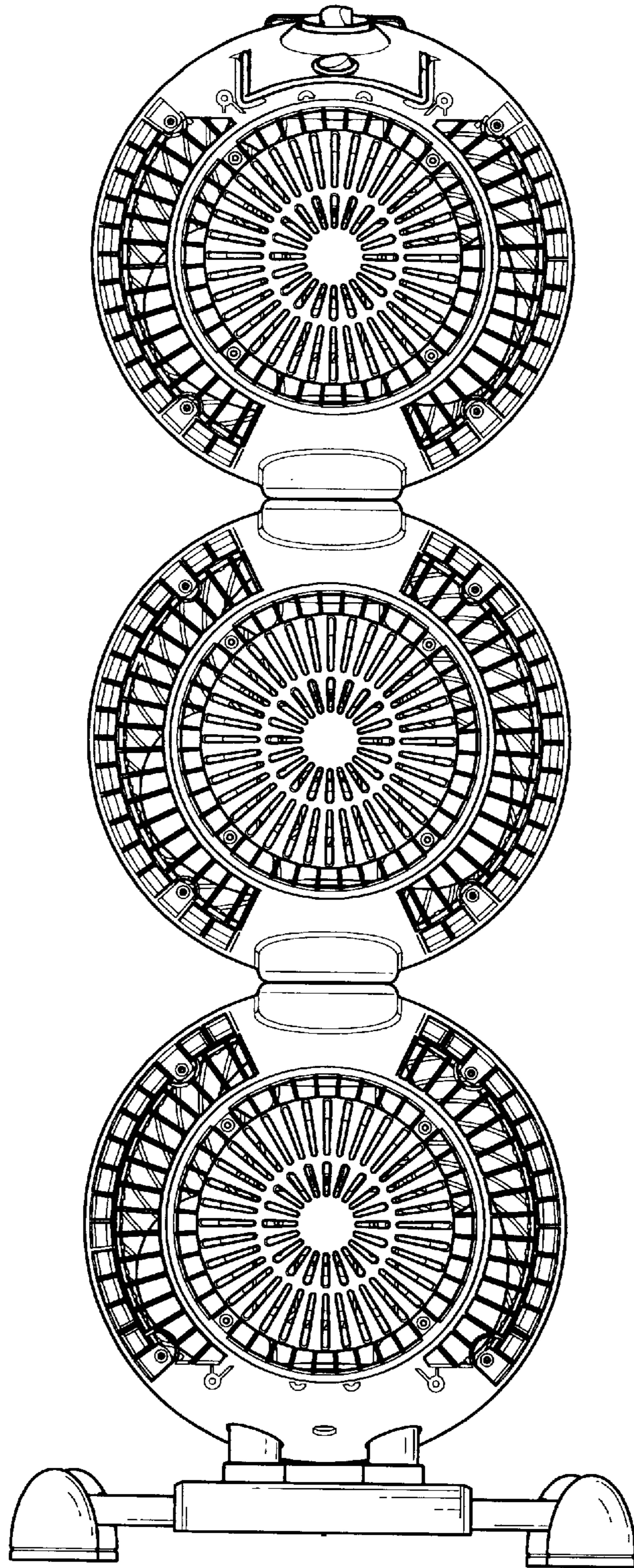


Fig. 5

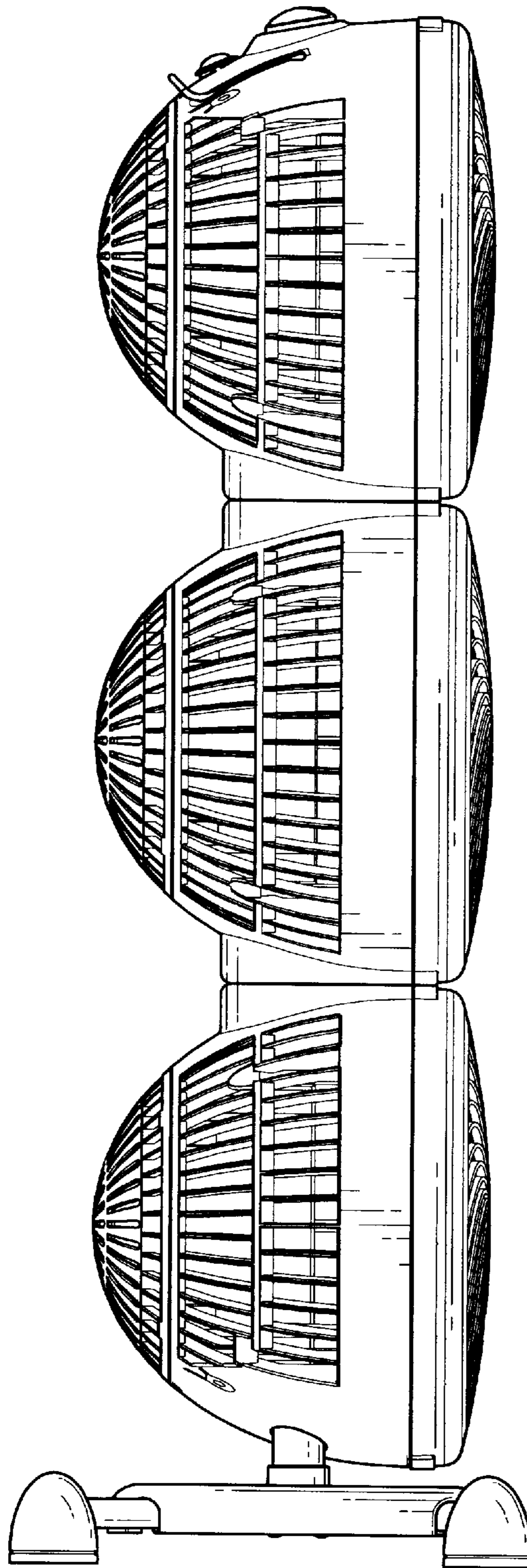


Fig. 6

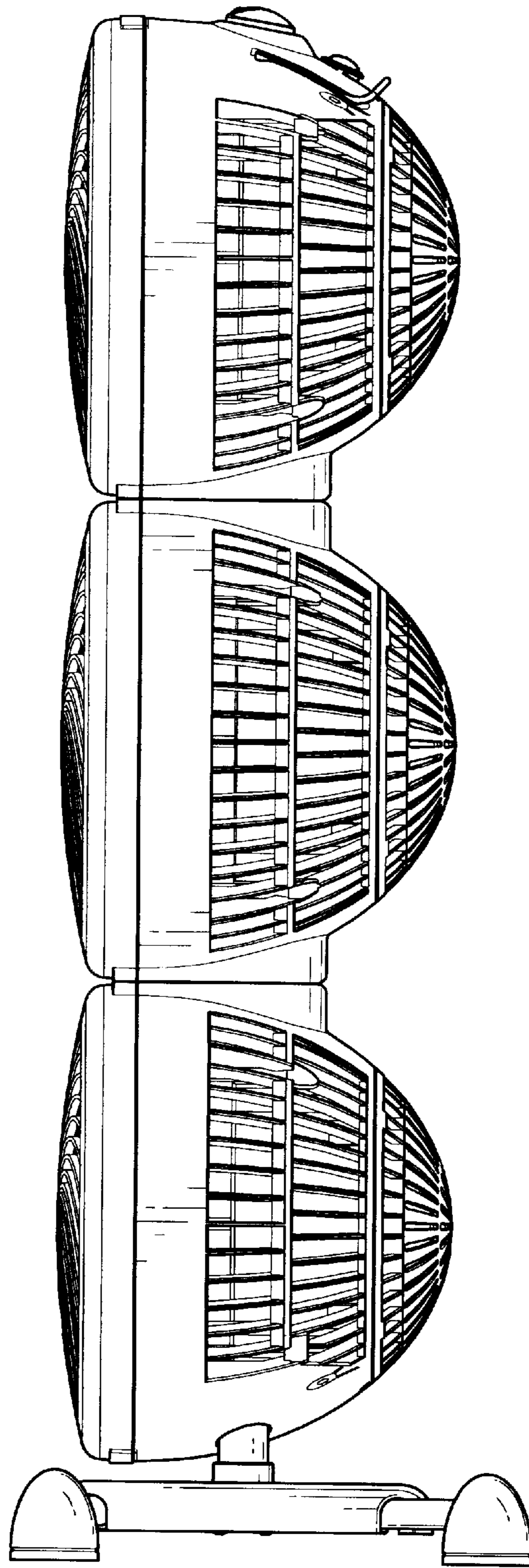


Fig. 7