



US00D537513S

(12) **United States Design Patent**
Spiegel

(10) **Patent No.:** **US D537,513 S**

(45) **Date of Patent:** **** Feb. 27, 2007**

(54) **AIR PURIFIER**

(75) Inventor: **Peter Spiegel**, Los Angeles, CA (US)

(73) Assignee: **Sylmark Holdings Limited** (IE)

(**) Term: **14 Years**

(21) Appl. No.: **29/235,080**

(22) Filed: **Jul. 26, 2005**

(51) **LOC (8) Cl.** **23-04**

(52) **U.S. Cl.** **D23/364**

(58) **Field of Classification Search** D23/355,
D23/364-5, 370, 378; 55/467, 471-2
See application file for complete search history.

(56) **References Cited**

U.S. PATENT DOCUMENTS

D322,669 S	*	12/1991	Yamamoto et al.	D23/378
D410,540 S		6/1999	Pinchuk	
D411,001 S		6/1999	Pinchuk	
D420,438 S		2/2000	Pinchuk	
D427,300 S		6/2000	Pinchuk	
D433,494 S		11/2000	Pinchuk	
D434,483 S		11/2000	Pinchuk	
D437,039 S	*	1/2001	Yamazaki et al.	D23/364
D440,290 S		4/2001	Pinchuk	
D454,627 S		3/2002	Pinchuk	
D461,002 S		7/2002	Christianson	
D462,430 S		9/2002	Christianson	

D472,968 S		4/2003	Christianson	
D497,985 S		11/2004	Christianson	
D506,000 S		6/2005	Christianson	
D506,001 S		6/2005	Christianson	
D506,249 S		6/2005	Christianson	
D506,538 S		6/2005	Christianson	
6,929,684 B2	*	8/2005	Chang et al.	96/226
D521,136 S	*	5/2006	Tseng et al.	D23/364
D522,116 S	*	5/2006	Zhixiang	D23/364
D522,124 S	*	5/2006	Bucher et al.	D23/378
D525,692 S	*	7/2006	Russak et al.	D23/364

* cited by examiner

Primary Examiner—Robin Webster

(74) *Attorney, Agent, or Firm*—Kathy Mojibi Kawcinglu

(57) **CLAIM**

I claim the ornamental design of an air purifier, as shown and described.

DESCRIPTION

FIG. 1 is a perspective view of the air purifier of the present invention;

FIG. 2 is a side elevational view thereof;

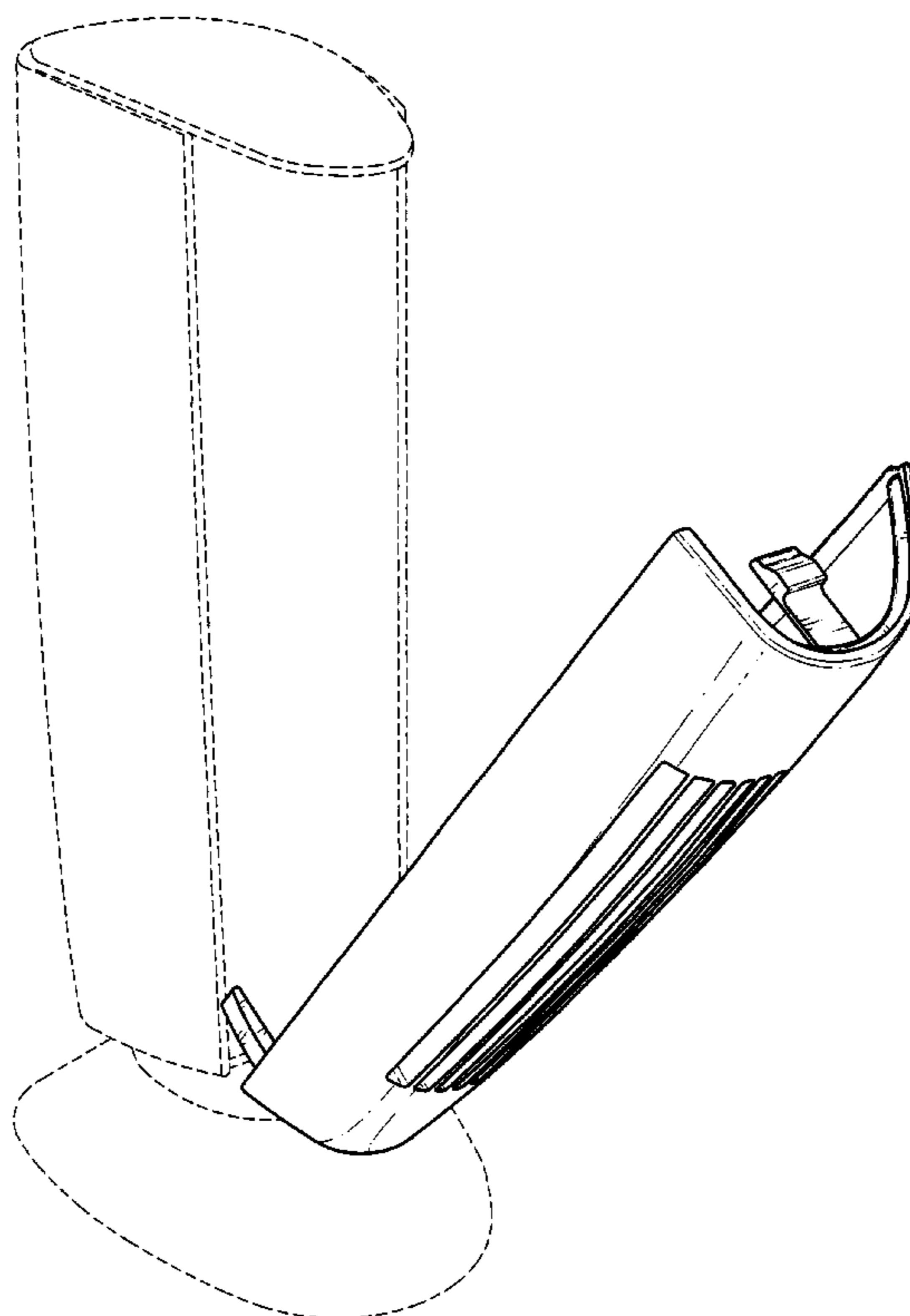
FIG. 3 is a front elevational view thereof;

FIG. 4 is a top plan view thereof; and,

FIG. 5 is a bottom plan view thereof.

The broken line showing is included for the purpose of illustrating and forms no part of the claimed design.

1 Claim, 4 Drawing Sheets



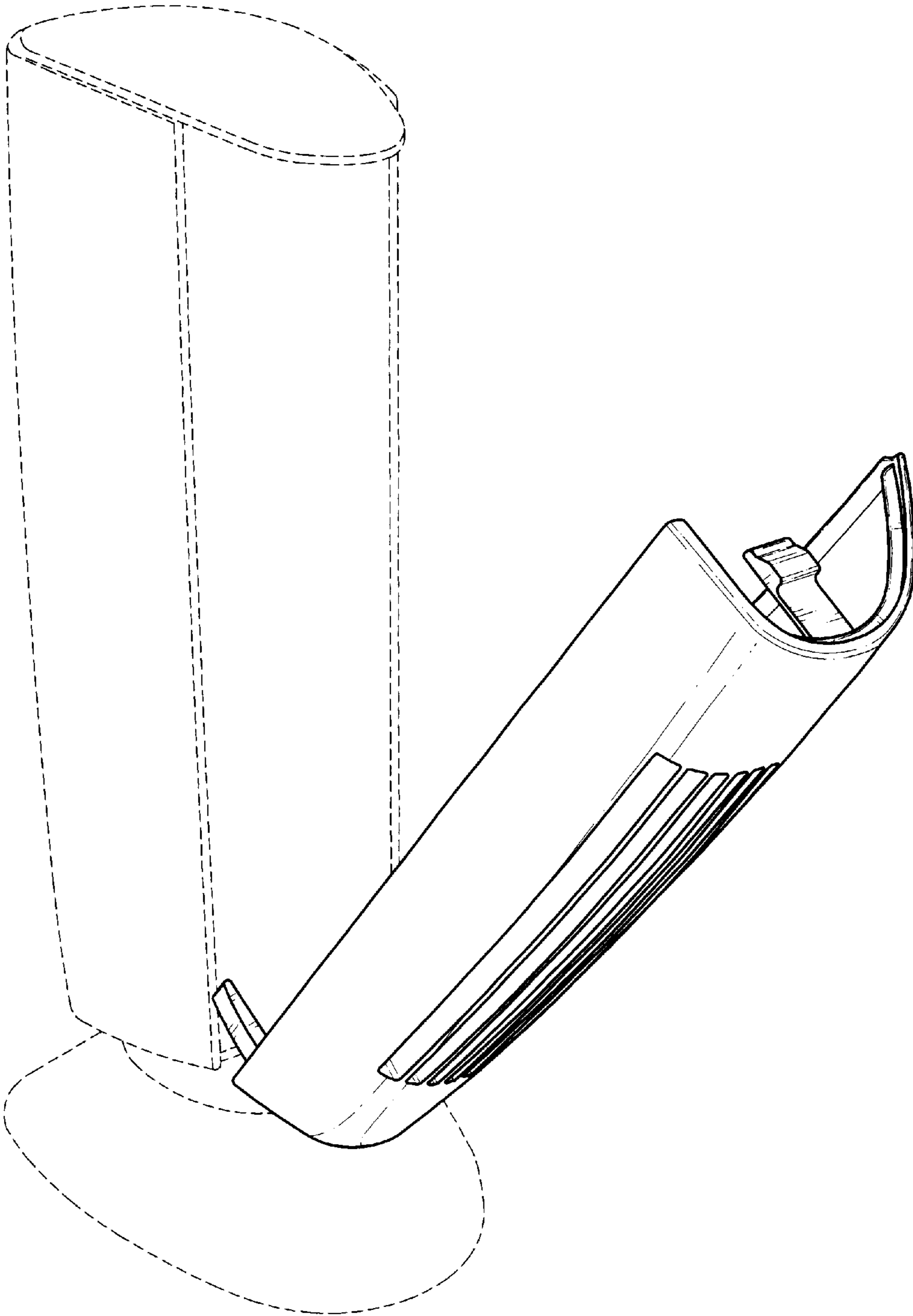


FIG. 1

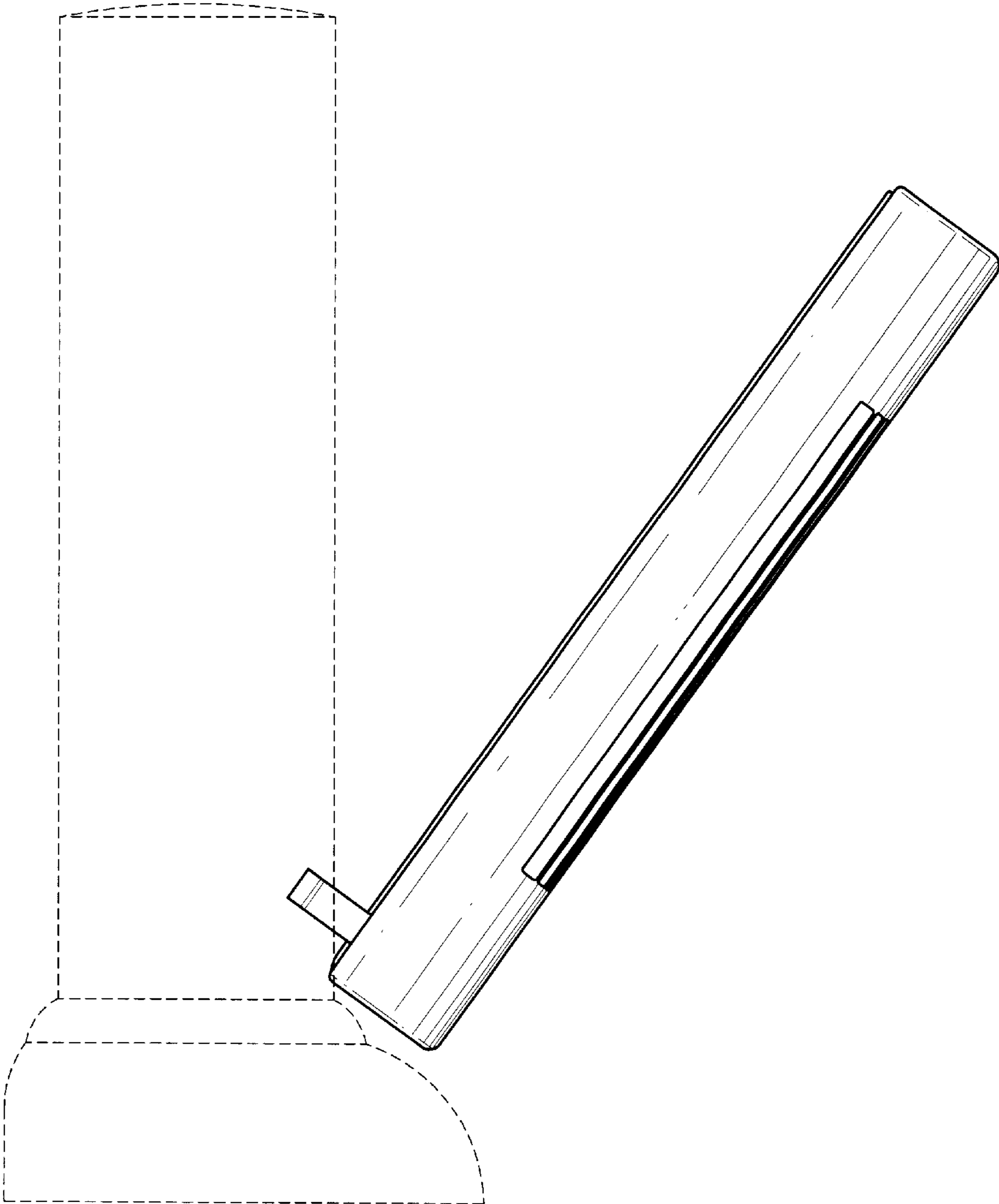


FIG. 2

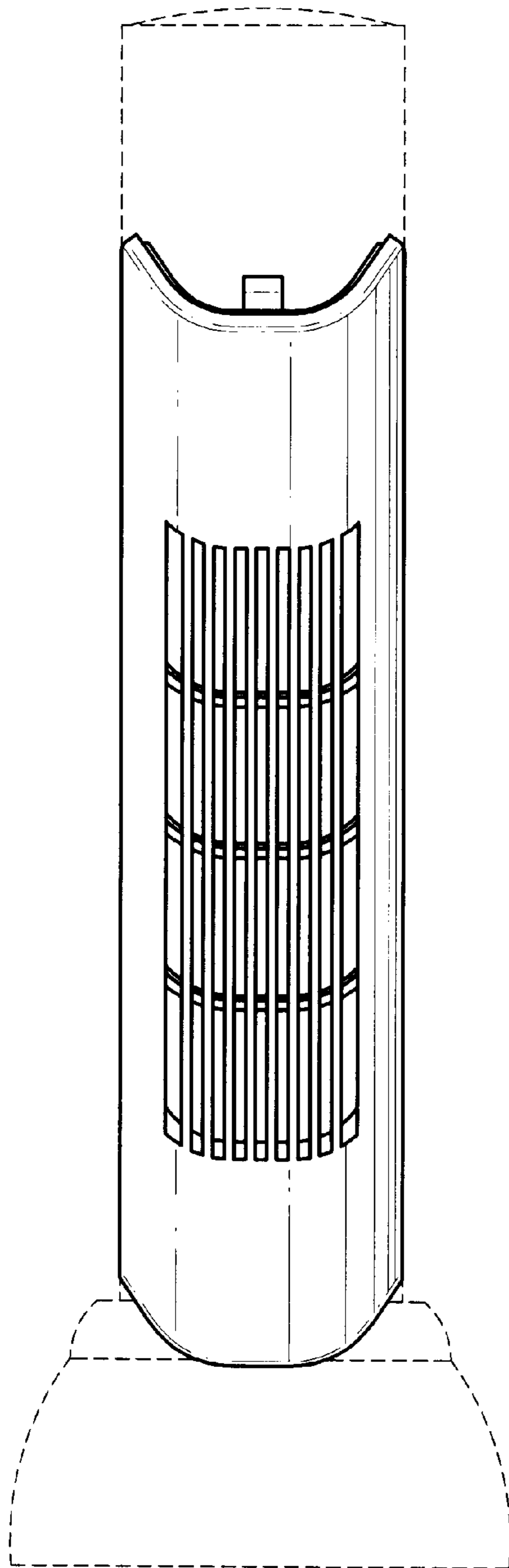


FIG. 3

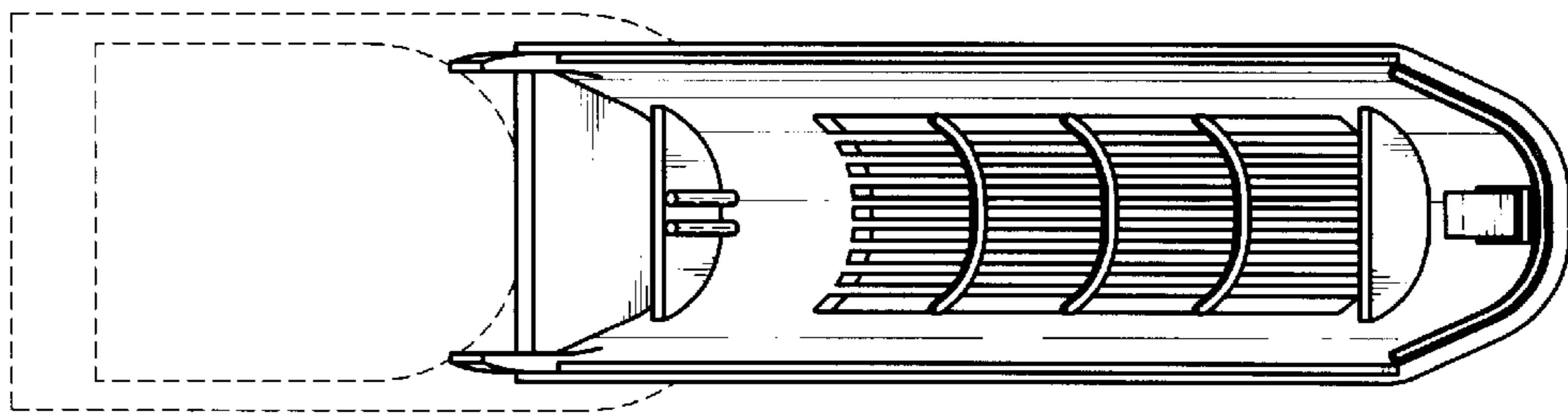


FIG. 4

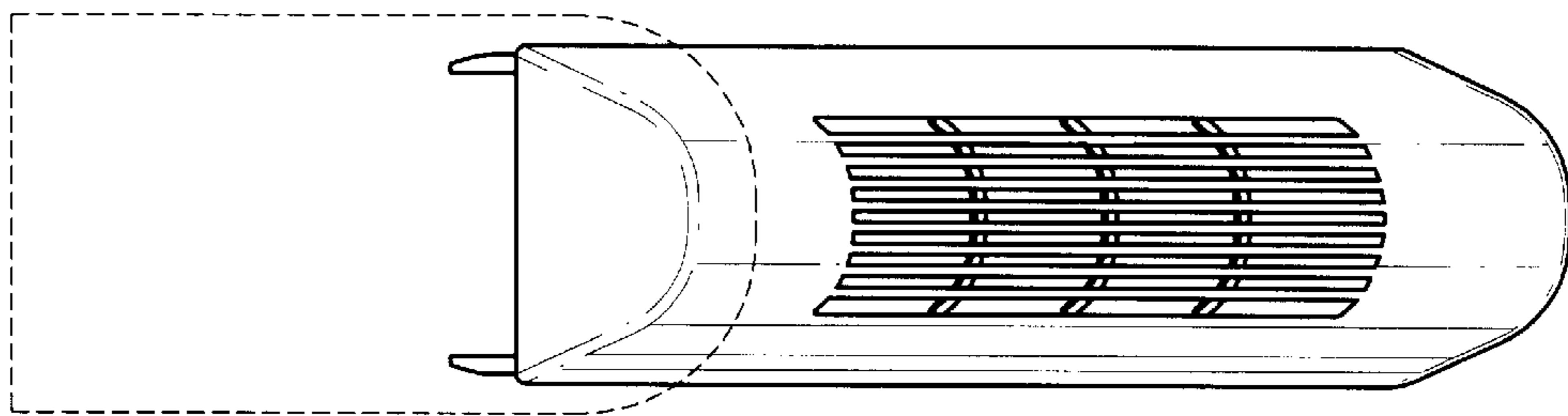


FIG. 5