



US00D537510S

(12) **United States Design Patent**
Yeargin et al.

(10) **Patent No.:** **US D537,510 S**

(45) **Date of Patent:** **** Feb. 27, 2007**

(54) **GAS HEATER**

(75) Inventors: **Robert Yeargin**, Bowling Green, KY (US); **Jeff Clack**, Bowling Green, KY (US); **Blake Fowler**, Bowling Green, KY (US); **Eric Pitchford**, Bowling Green, KY (US); **Jody Stull**, Bowling Green, KY (US)

(73) Assignee: **Desa IP, LLC**, Bowling Green, KY (US)

(**) Term: **14 Years**

(21) Appl. No.: **29/235,483**

(22) Filed: **Aug. 2, 2005**

(51) **LOC (8) Cl.** **23-03**

(52) **U.S. Cl.** **D23/344**

(58) **Field of Classification Search** D23/314,
D23/330, 342-344, 335, 339; 126/500, 544,
126/247, 249

See application file for complete search history.

(56) **References Cited**

U.S. PATENT DOCUMENTS

2,476,579	A	7/1949	Becker	
2,517,255	A	8/1950	Strebe et al.	
2,704,537	A	3/1955	Norman et al.	
2,731,010	A	1/1956	Moore et al.	
3,384,070	A	5/1968	Castello et al.	
4,375,214	A	3/1983	Wysong	
D270,858	S	* 10/1983	McInnes D23/344

D283,343	S	* 4/1986	Haythornthwaite D23/344
D294,289	S	* 2/1988	Tongue D23/342
D301,924	S	* 6/1989	Craver D23/344
D304,227	S	* 10/1989	Benfield et al. D23/344
D348,726	S	* 7/1994	Wilson D23/344
5,368,012	A	11/1994	Chamberlain	
D375,155	S	* 10/1996	Radke D23/344
D376,000	S	* 11/1996	Wilson et al. D23/342
5,807,098	A	9/1998	Deng	
D410,075	S	* 5/1999	Wilson D23/339
6,019,069	A	2/2000	Joyce	
D421,647	S	* 3/2000	Heger D23/339
6,269,809	B1	8/2001	Fleming	
6,578,570	B2	6/2003	Fogliani et al.	

* cited by examiner

Primary Examiner—Brian N Vinson

(74) *Attorney, Agent, or Firm*—John F. Salazar; Middleton Reutlinger

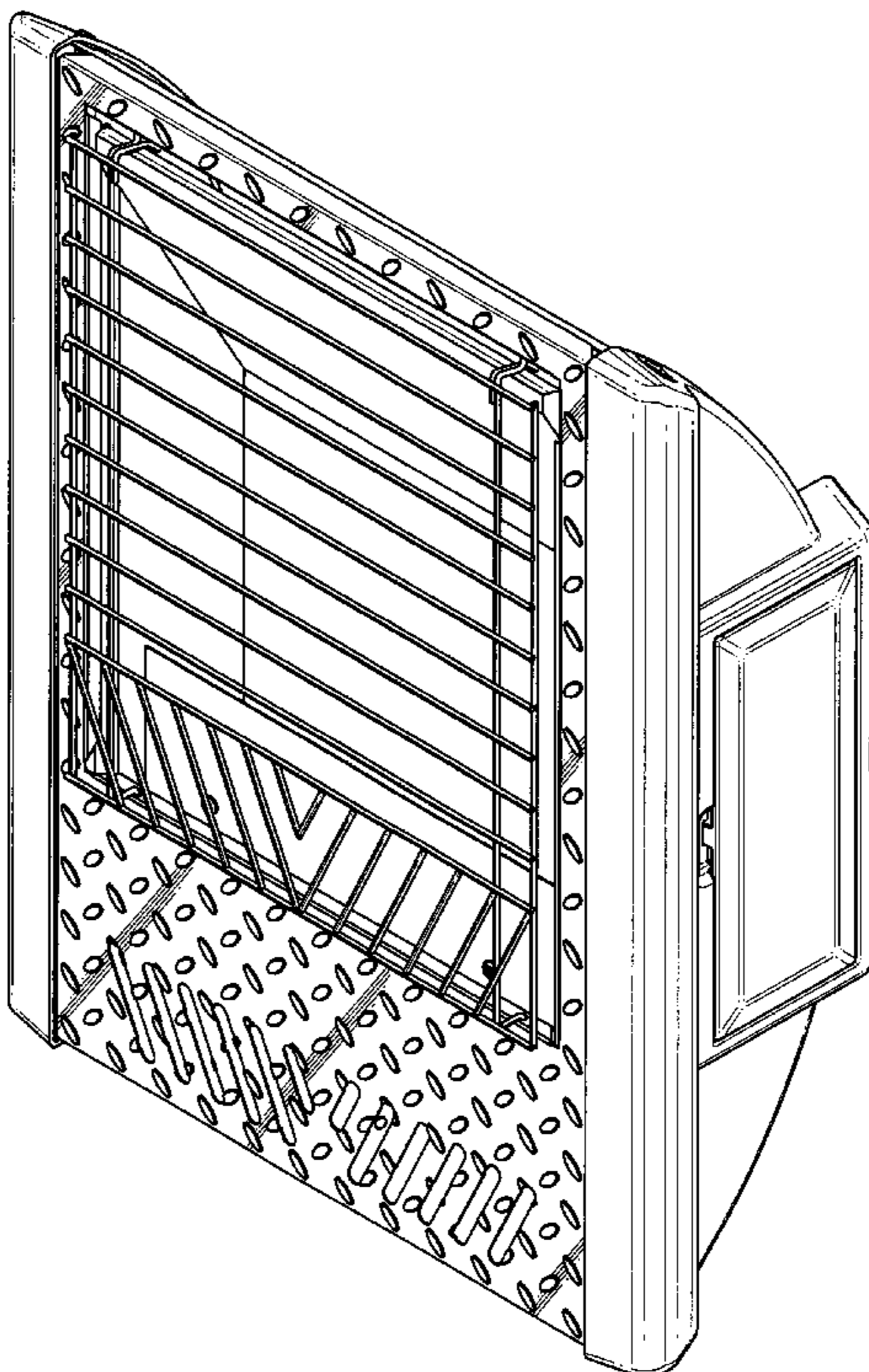
(57) **CLAIM**

The ornamental design for a gas heater, as shown and described.

DESCRIPTION

FIG. 1 is a perspective view of our gas heater design; FIG. 2 is a front view thereof; FIG. 3 is a left side view thereof; FIG. 4 is a right side view thereof; FIG. 5 is a top view thereof; FIG. 6 is a bottom view thereof; and, FIG. 7 is a back view thereof.

1 Claim, 7 Drawing Sheets



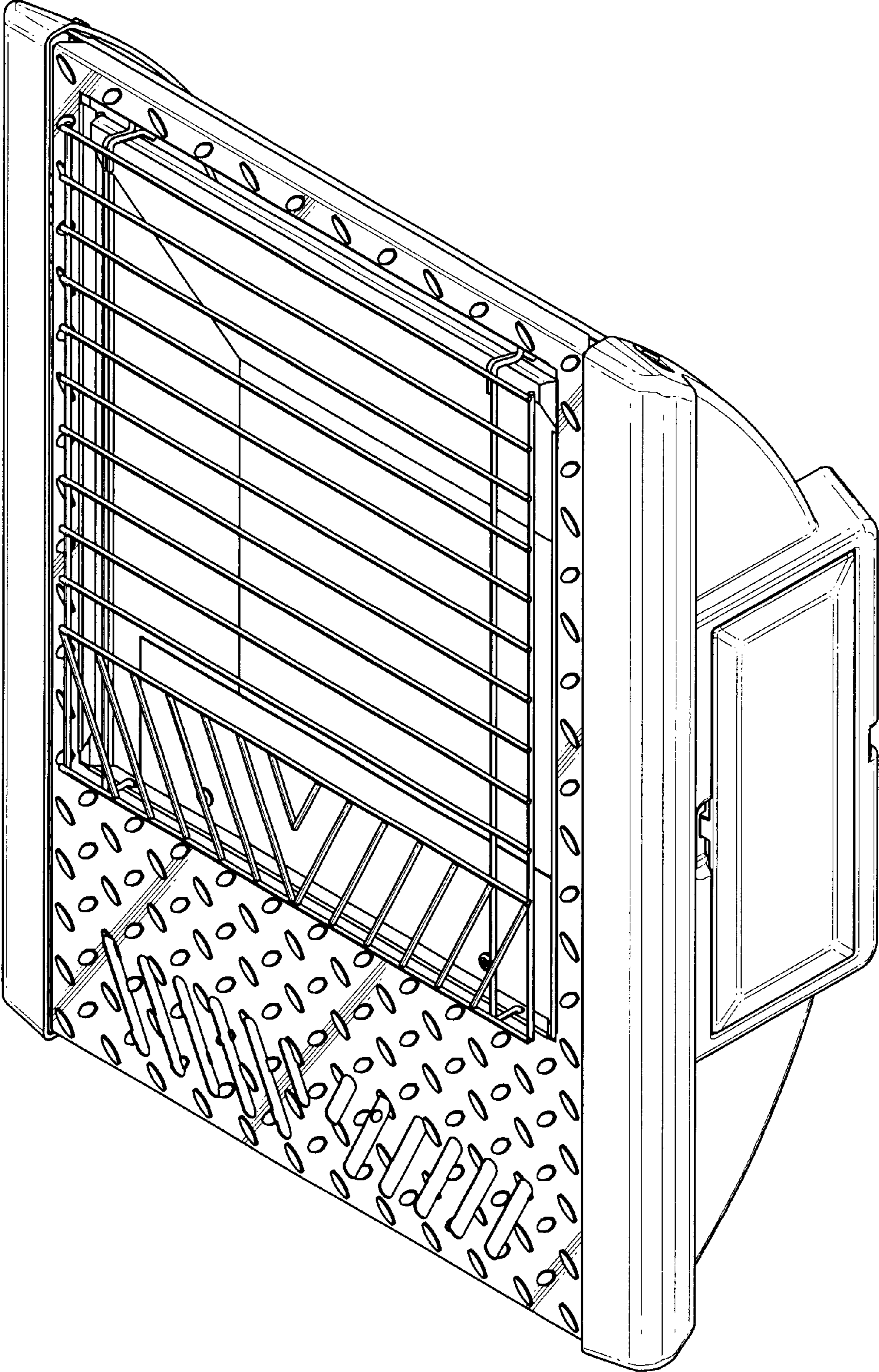


FIG. 1

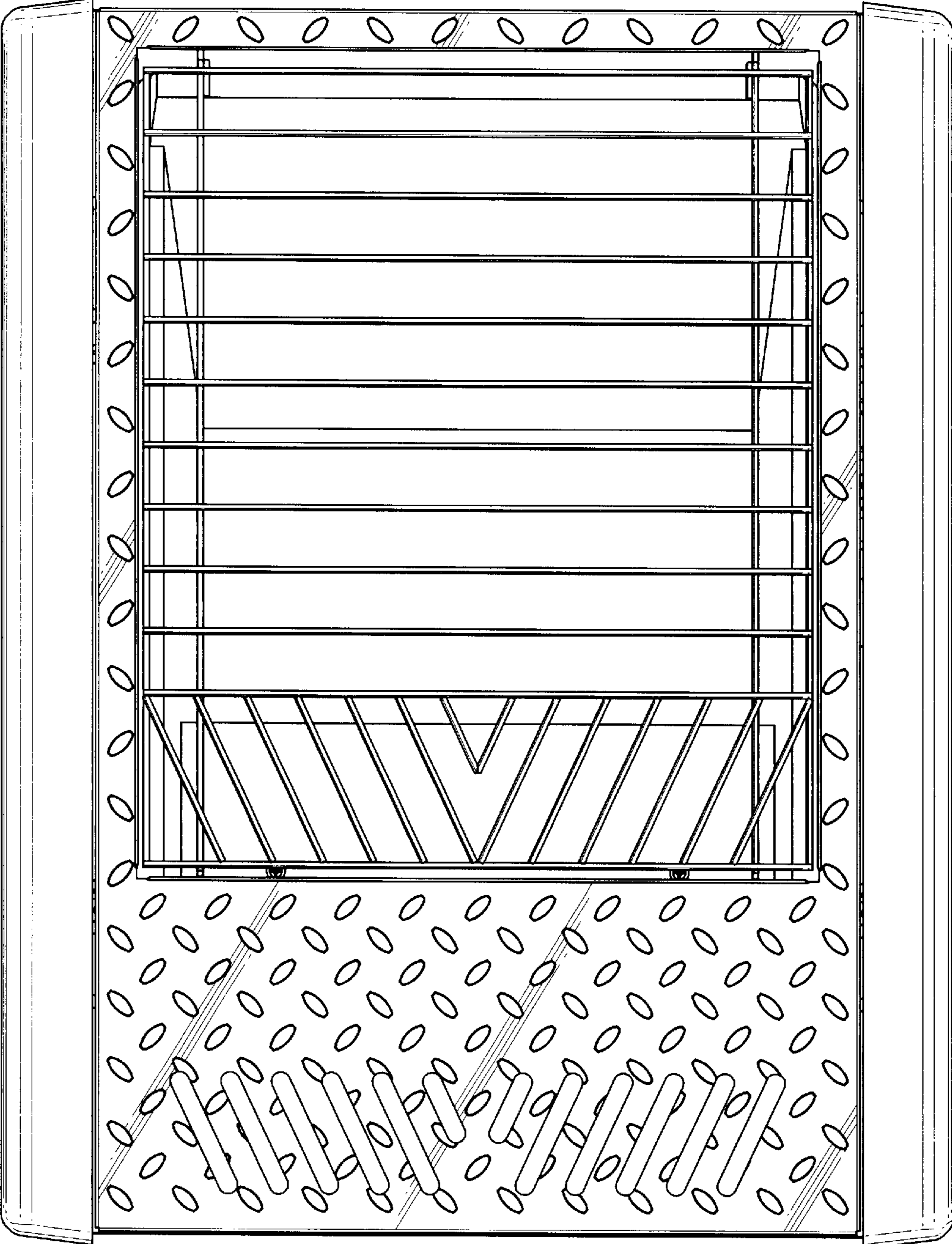


FIG. 2

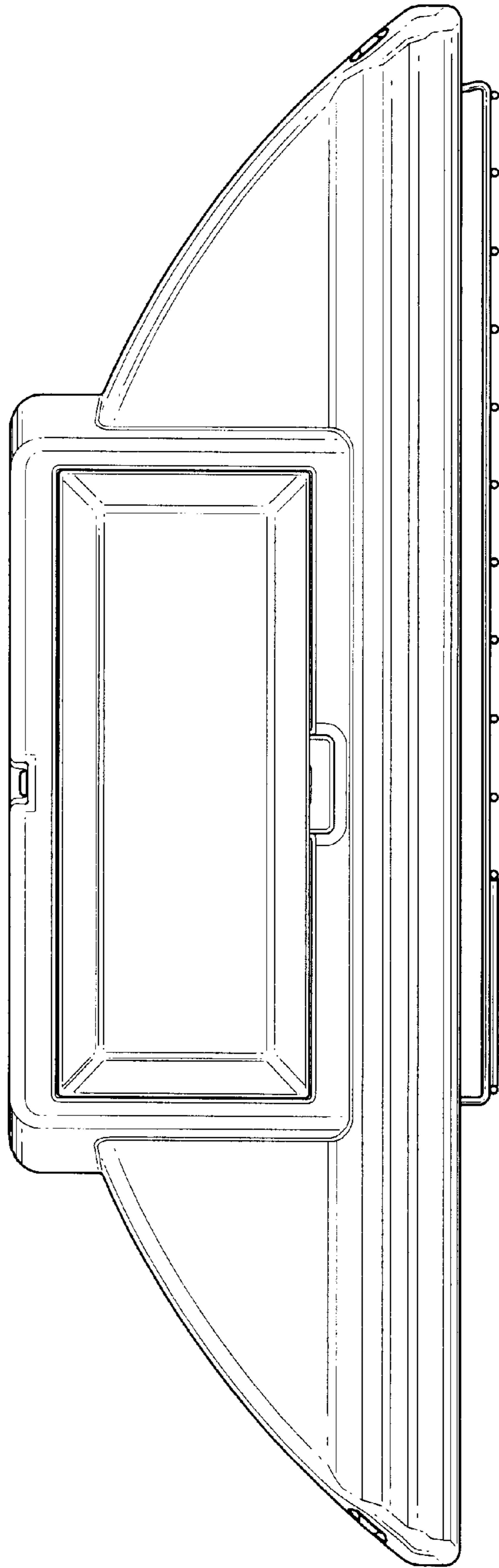


FIG. 3

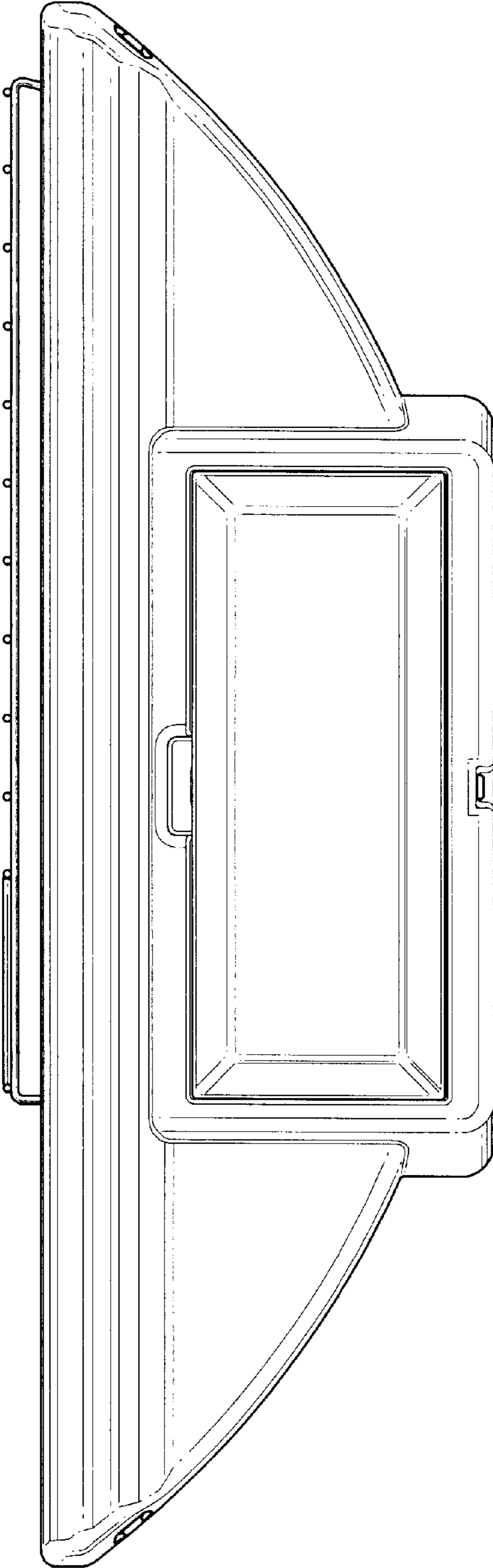


FIG. 4

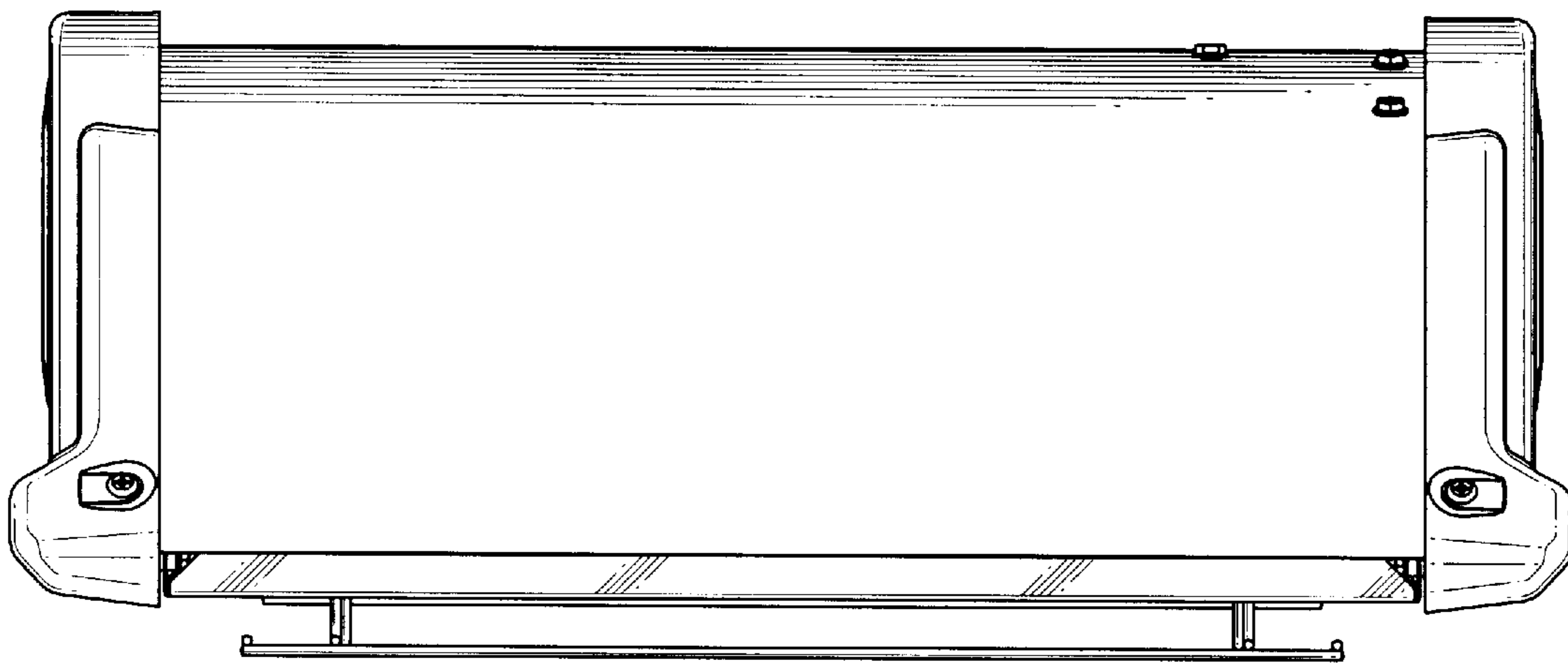


FIG. 5

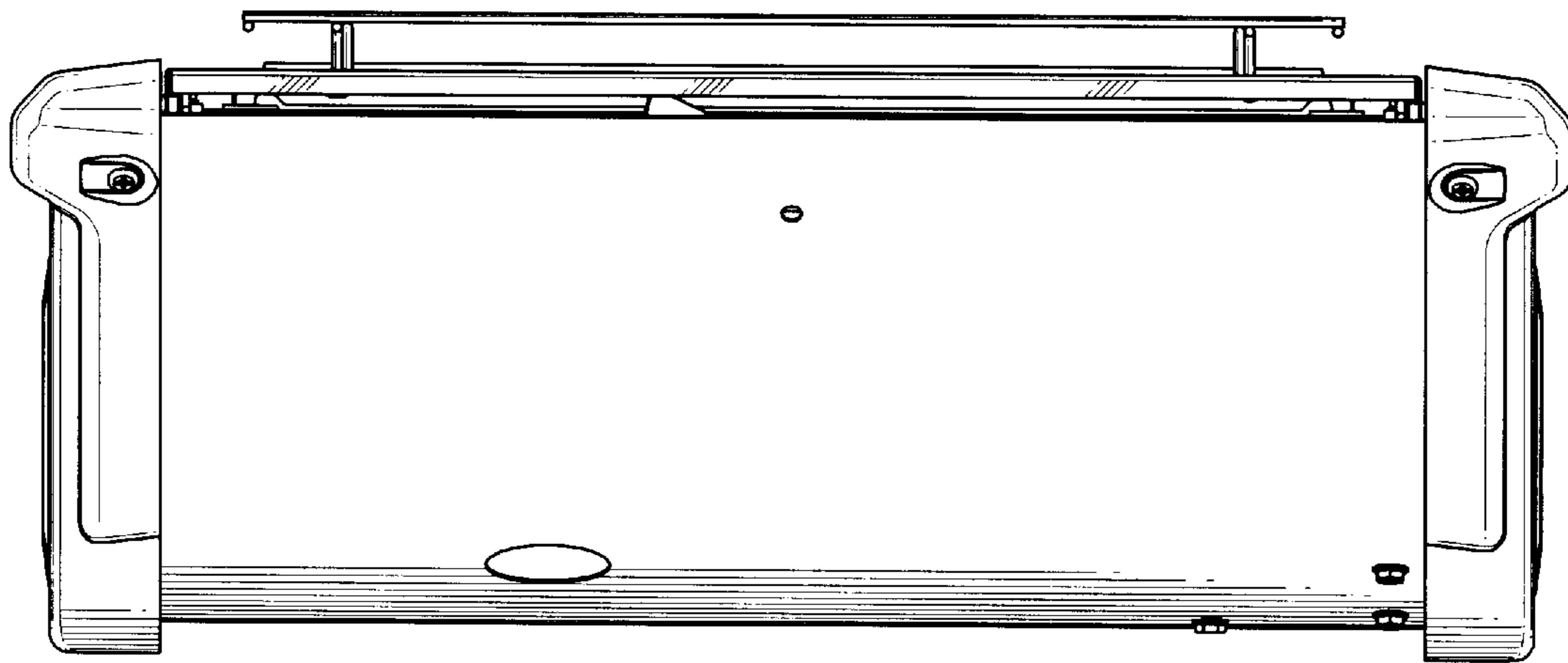


FIG. 6

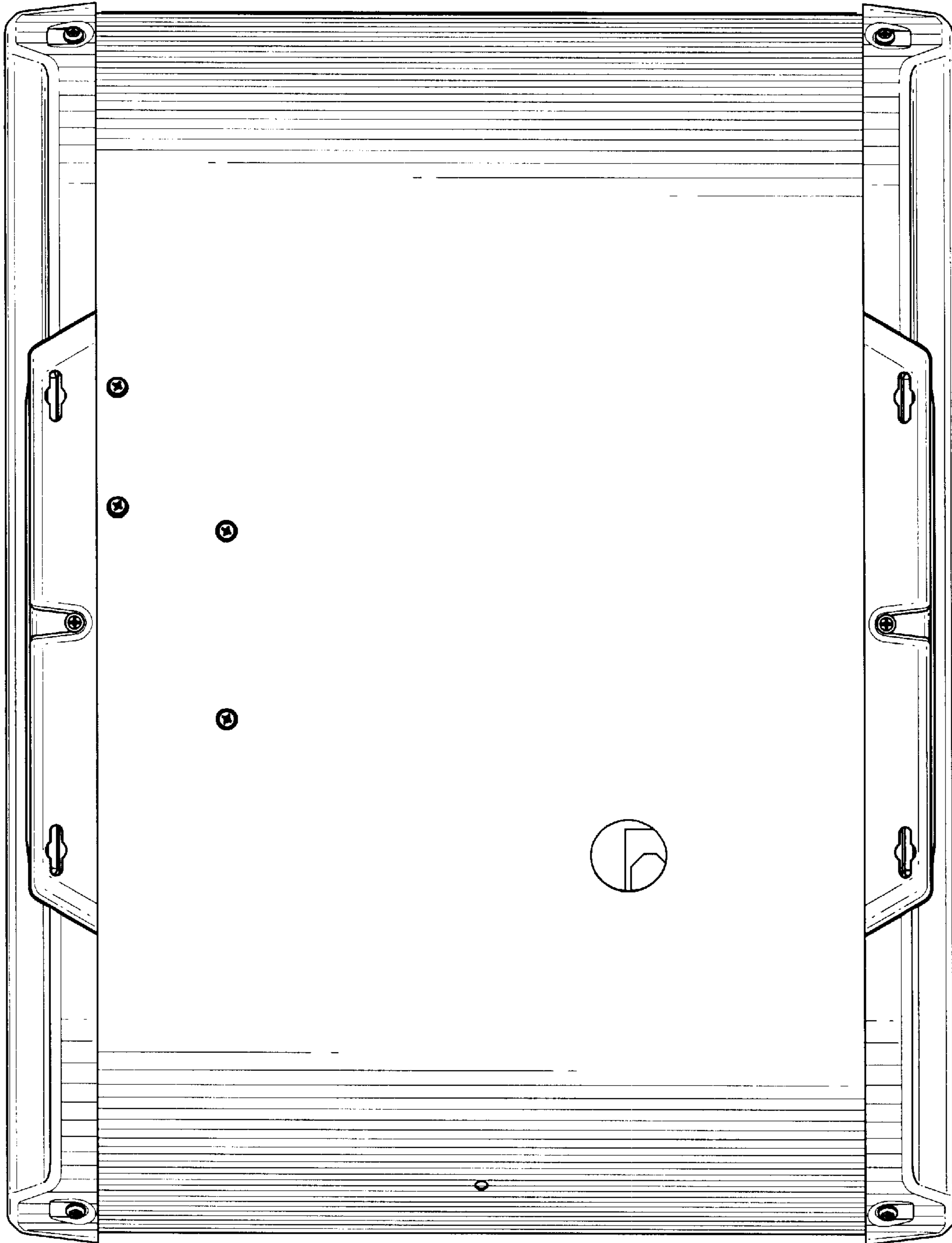


FIG. 7