



US00D537509S

(12) **United States Design Patent**
Thielen

(10) **Patent No.:** **US D537,509 S**

(45) **Date of Patent:** **** Feb. 27, 2007**

(54) **IMMERSION HEATER STAND**

(75) Inventor: **Heiko Thielen**, Munich (DE)

(73) Assignee: **BSH Bosch und Siemens Hausgeraete GmbH**, Munich (DE)

(**) Term: **14 Years**

(21) Appl. No.: **29/252,847**

(22) Filed: **Jan. 26, 2006**

(30) **Foreign Application Priority Data**

Jul. 28, 2005 (EM) 000384268-0001

(51) **LOC (8) Cl.** **23-01**

(52) **U.S. Cl.** **D23/337**

(58) **Field of Classification Search** D23/337,
D23/323, 336, 341, 318-322; 392/451; 126/363;
248/346.01, 146; 220/571; 137/312, 362,
137/376; D6/486

See application file for complete search history.

(56) **References Cited**

U.S. PATENT DOCUMENTS

D82,572 S * 11/1930 Luten D23/322
D123,378 S * 11/1940 Beam D23/336
5,199,676 A * 4/1993 Kowalewski 248/149
5,746,405 A * 5/1998 Dvorak et al. 248/146
5,791,264 A * 8/1998 McCraney 108/151

D441,855 S * 5/2001 Fine D23/322
2004/0051021 A1 * 3/2004 Micheel 248/346.01

* cited by examiner

Primary Examiner—Louis S. Zarfes

Assistant Examiner—Eric L. Goodman

(74) *Attorney, Agent, or Firm*—Russell W. Warnock; Craig J. Loest

(57) **CLAIM**

The ornamental design for an immersion heater stand, as shown and described.

DESCRIPTION

FIG. 1 is a perspective view of a immersion heater stand showing my ornamental design;

FIG. 2 is a top view of the immersion heater stand embodiment shown in FIG. 1;

FIG. 3 is a bottom view of the immerison heater stand embodiment shown in FIG. 1;

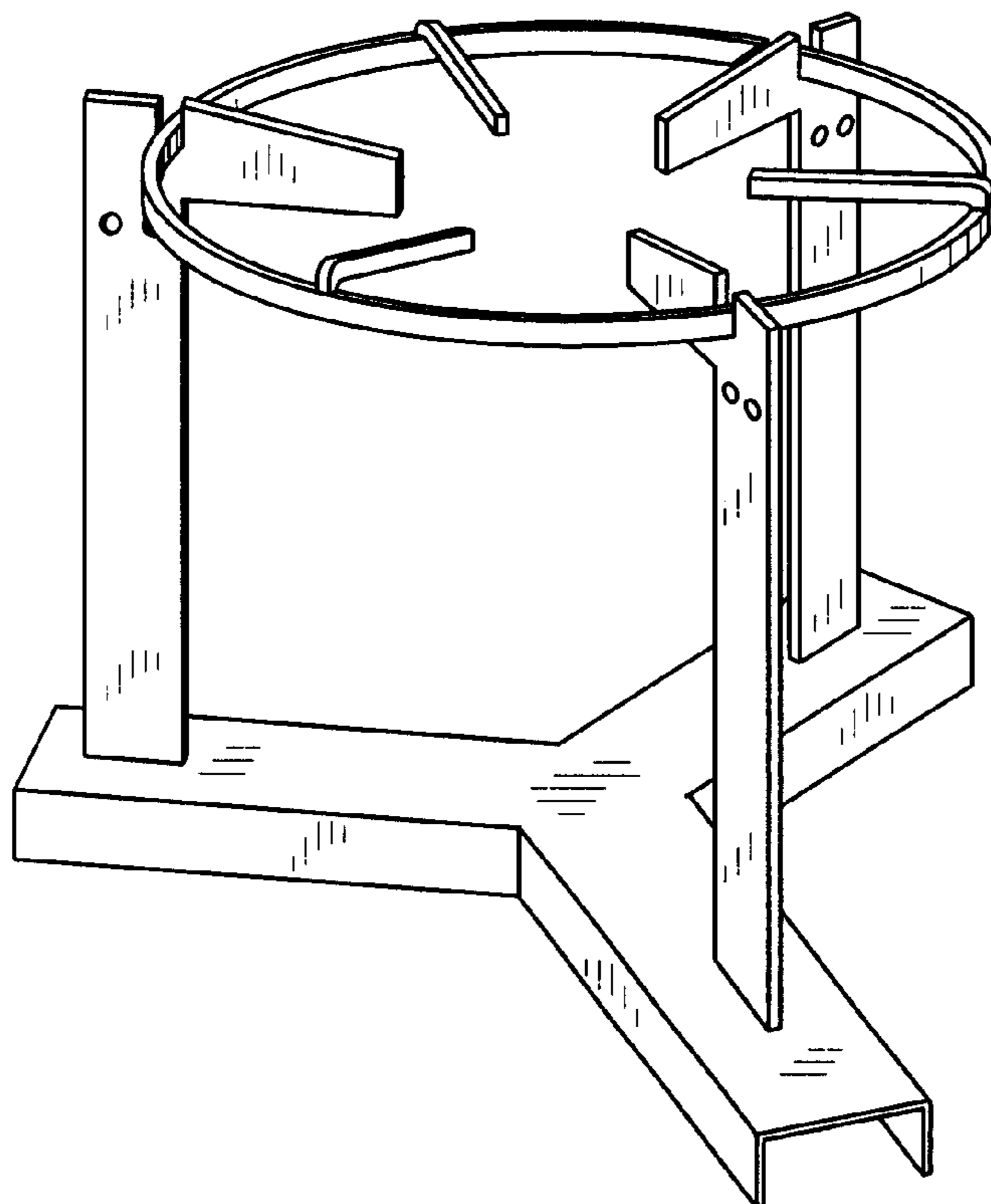
FIG. 4 is a bottom perspective view of the immersion heater stand embodiment shown in FIG. 1;

FIG. 5 is a left side view of the immersion heater stand embodiment shown in FIG. 1;

FIG. 6 is a right side view of the immersion heater stand embodiment shown in FIG. 1; and,

FIG. 7 is a front view of the immersion heater stand embodiment shown in FIG. 1.

1 Claim, 7 Drawing Sheets



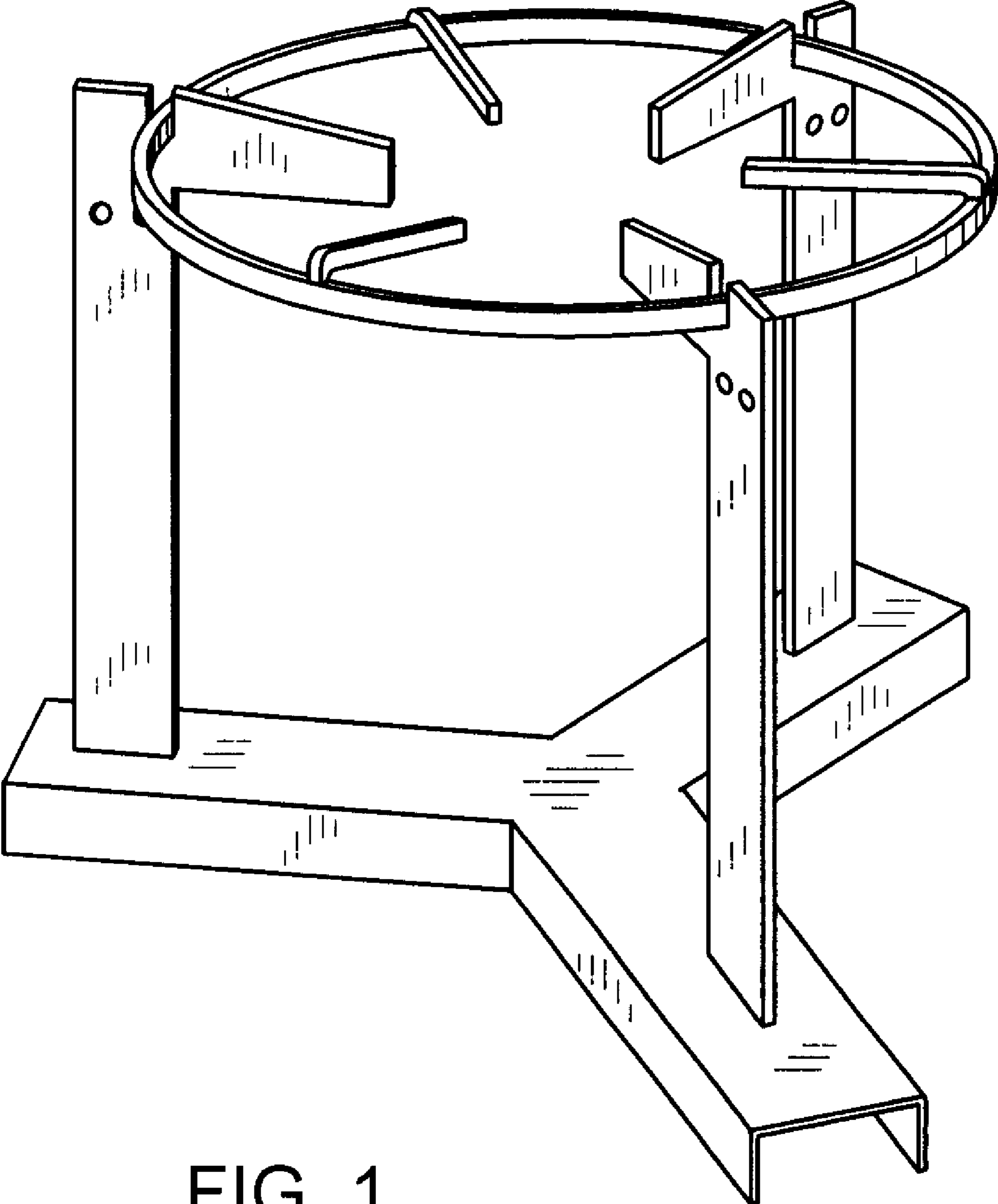


FIG. 1

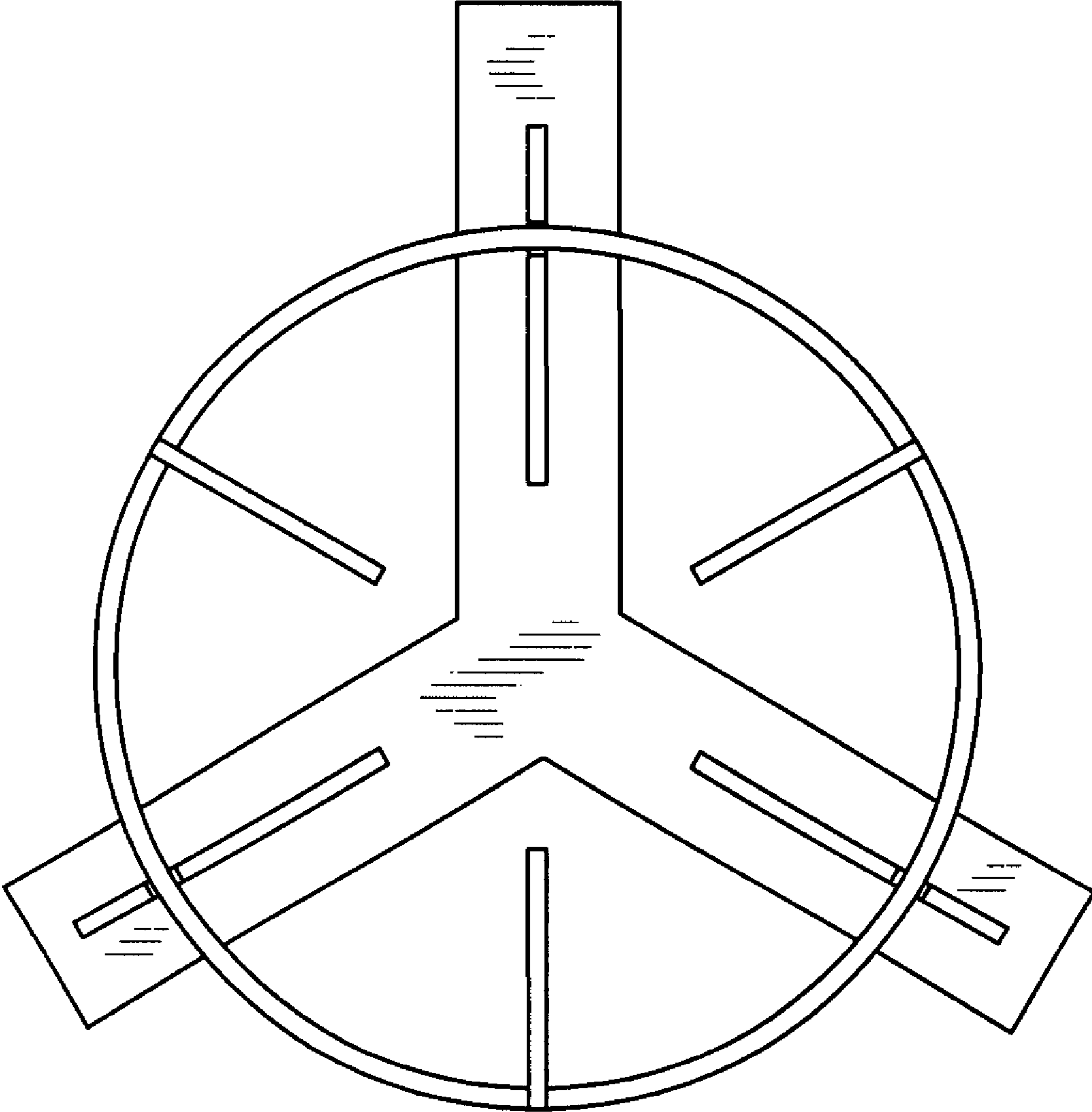


FIG. 2

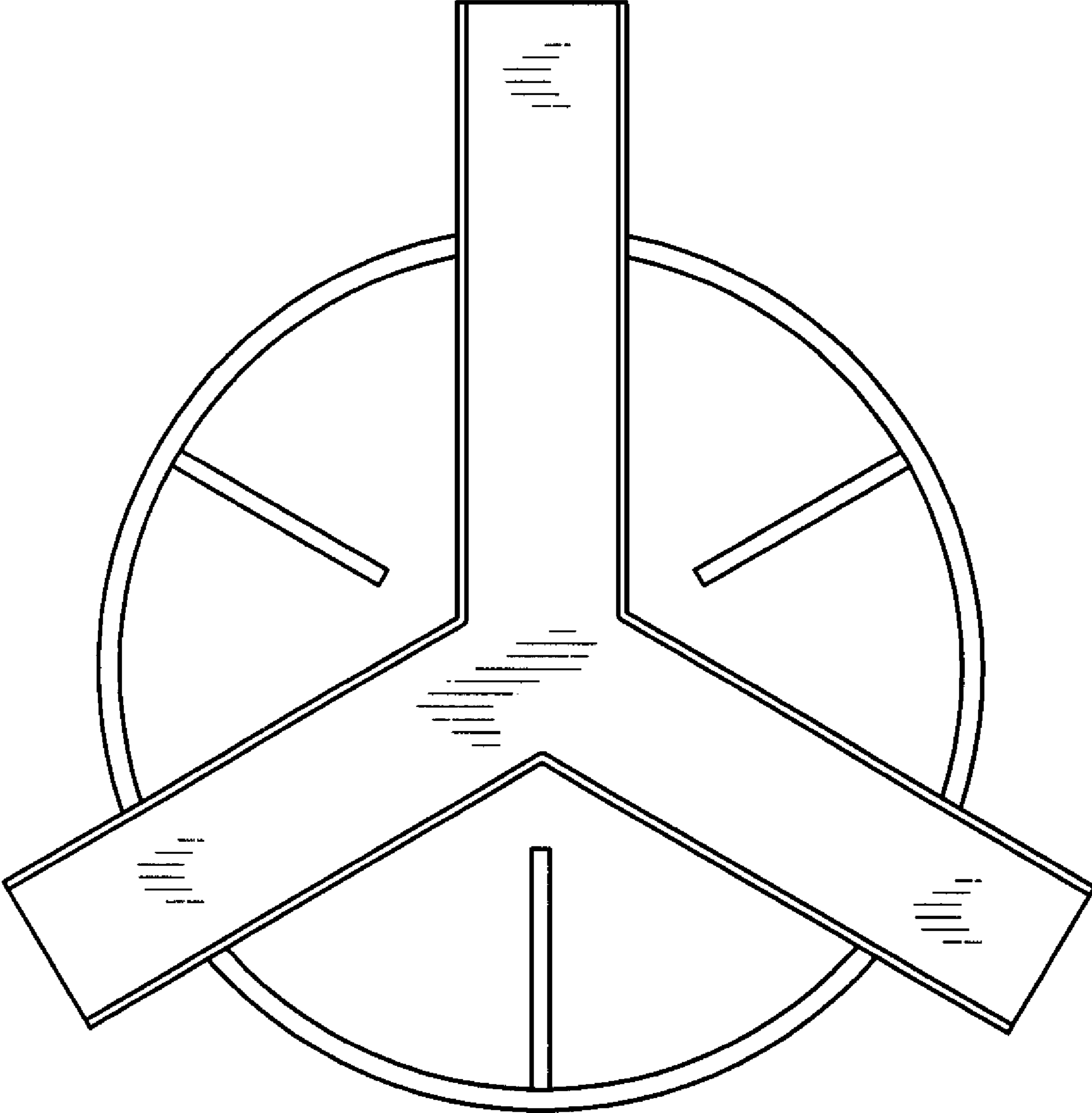


FIG. 3

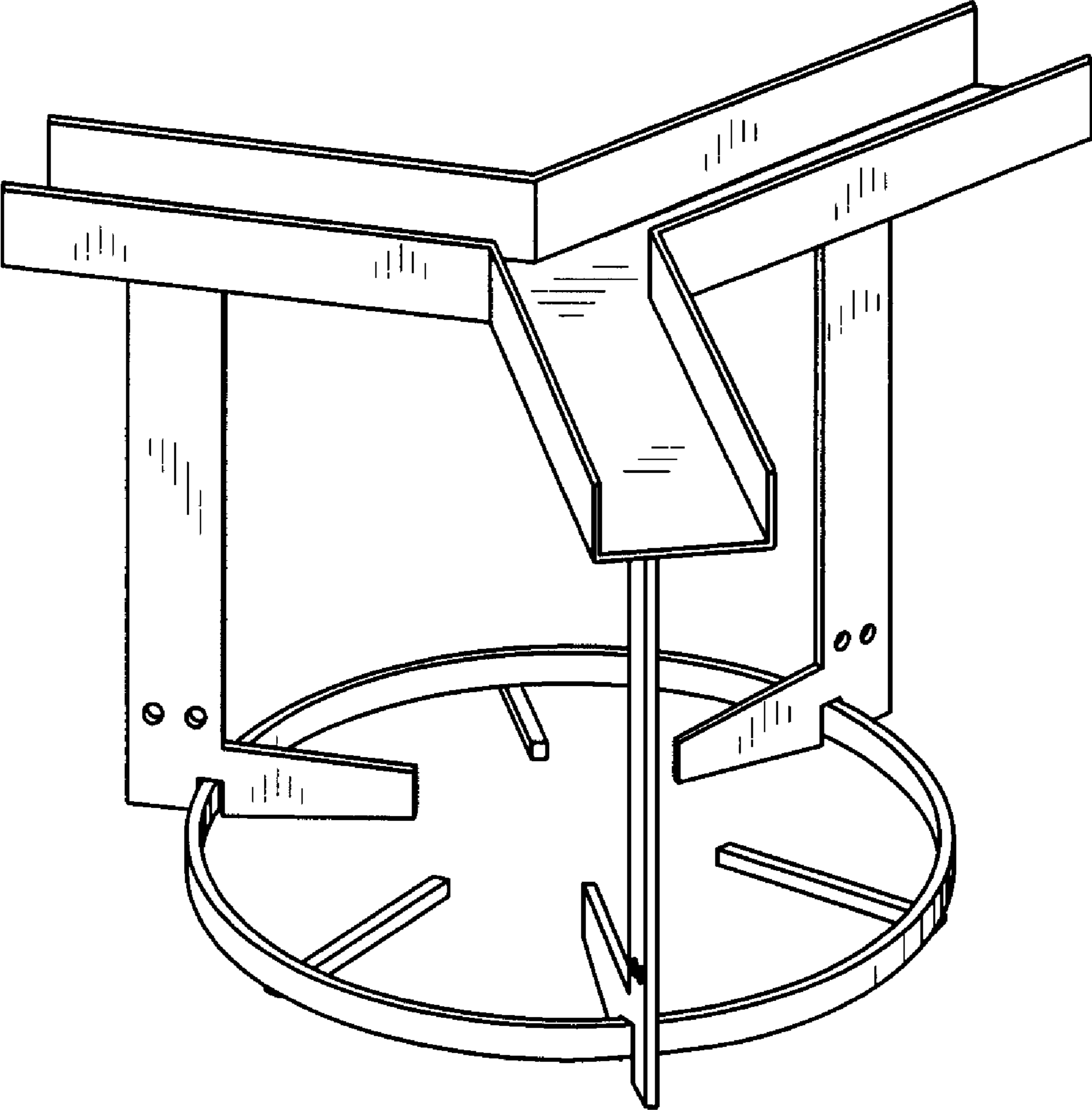


FIG. 4

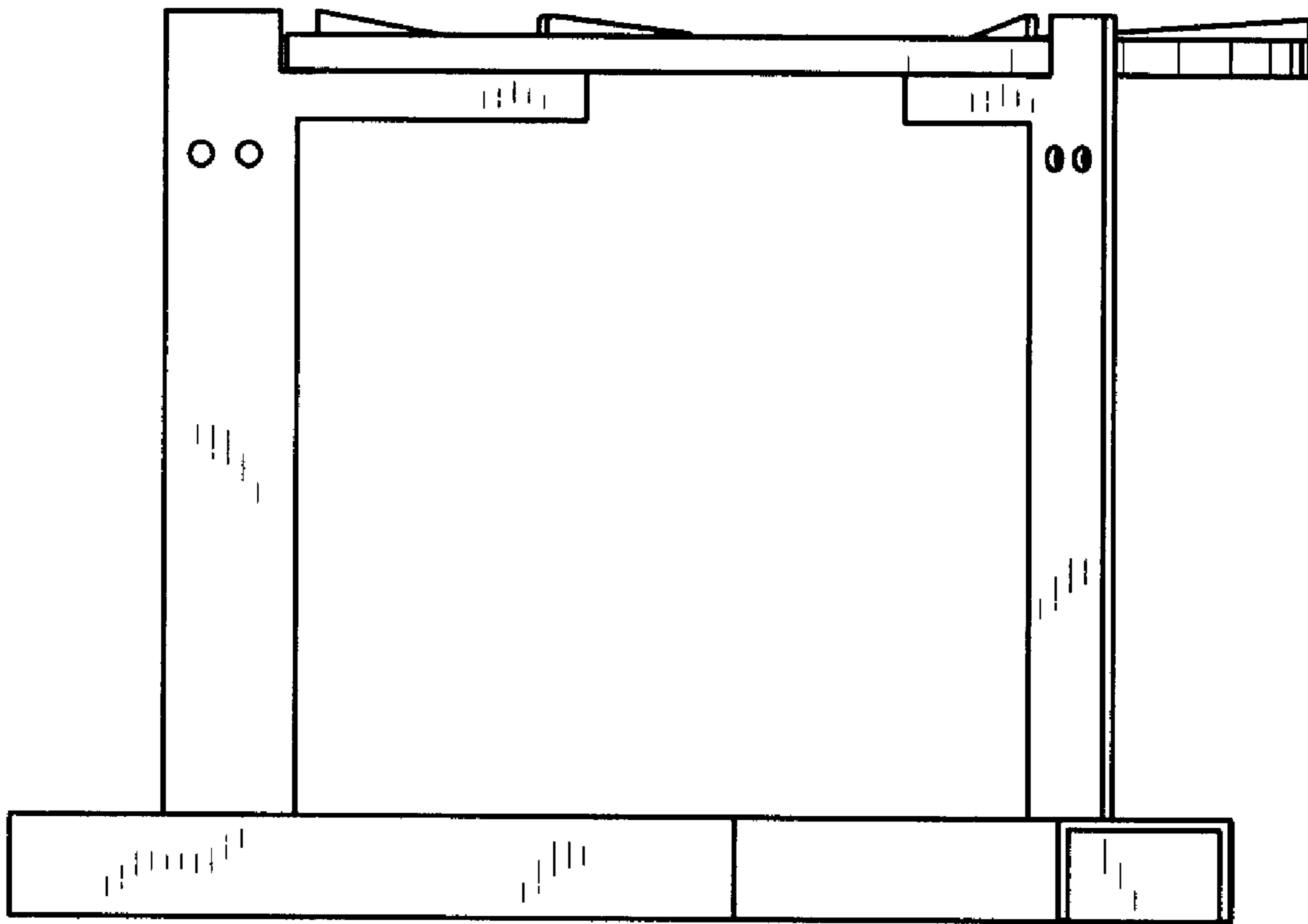


FIG. 5

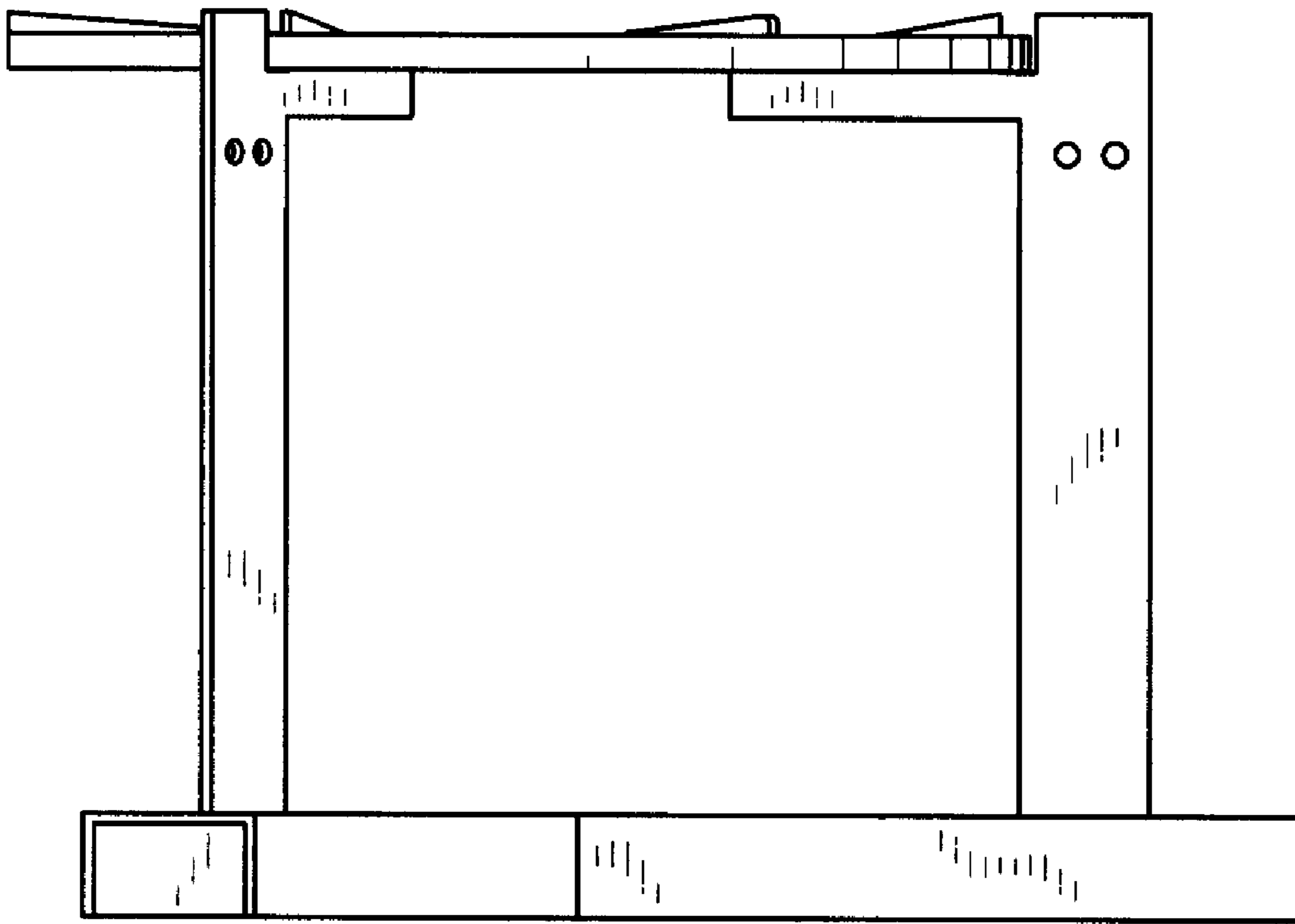


FIG. 6

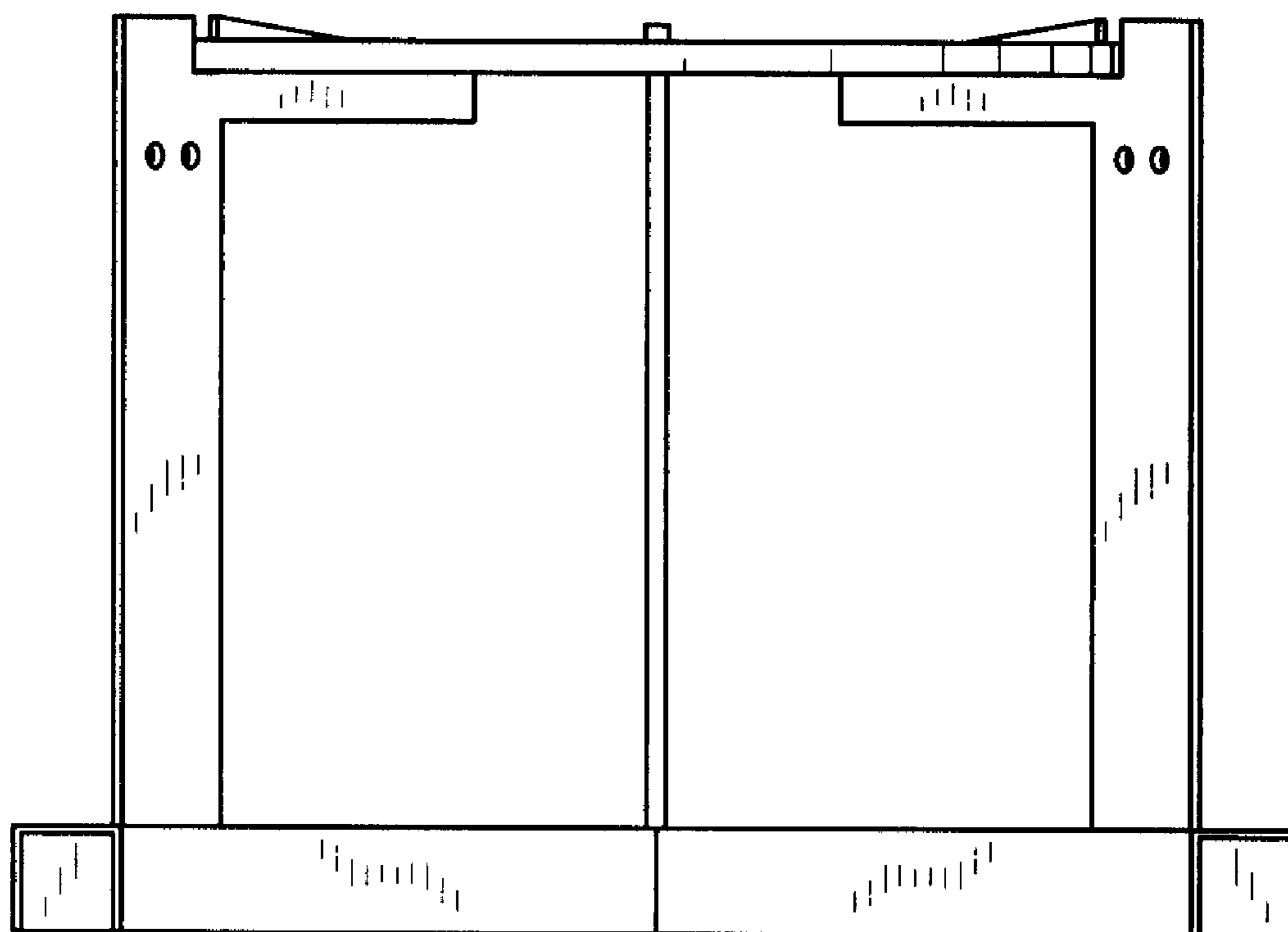


FIG. 7