



US00D537508S

(12) **United States Design Patent**
Bruce

(10) **Patent No.:** **US D537,508 S**

(45) **Date of Patent:** **** Feb. 27, 2007**

(54) **SINK**

(75) Inventor: **David Bruce**, Monroe Township, NJ
(US)

(73) Assignee: **Foremost Groups, Inc.**, East Hanover,
NJ (US)

(**) Term: **14 Years**

(21) Appl. No.: **29/227,114**

(22) Filed: **Apr. 6, 2005**

(51) **LOC (8) Cl.** **23-02**

(52) **U.S. Cl.** **D23/293.1**

(58) **Field of Classification Search** D23/270-271,
D23/273, 284-287, 291, 293.1, 303, 308;
4/619, 624-625, 630, 661, DIG. 15; D21/524
See application file for complete search history.

(56) **References Cited**

U.S. PATENT DOCUMENTS

D361,830 S * 8/1995 Segenschmid D23/293.1

D394,496 S * 5/1998 Cuttriss D23/285
D399,933 S * 10/1998 Thomas D23/284
2005/0223487 A1 * 10/2005 Takeo et al. 4/630

* cited by examiner

Primary Examiner—Robert A. Delehanty

(74) *Attorney, Agent, or Firm*—Drinker Biddle & Reath
LLP

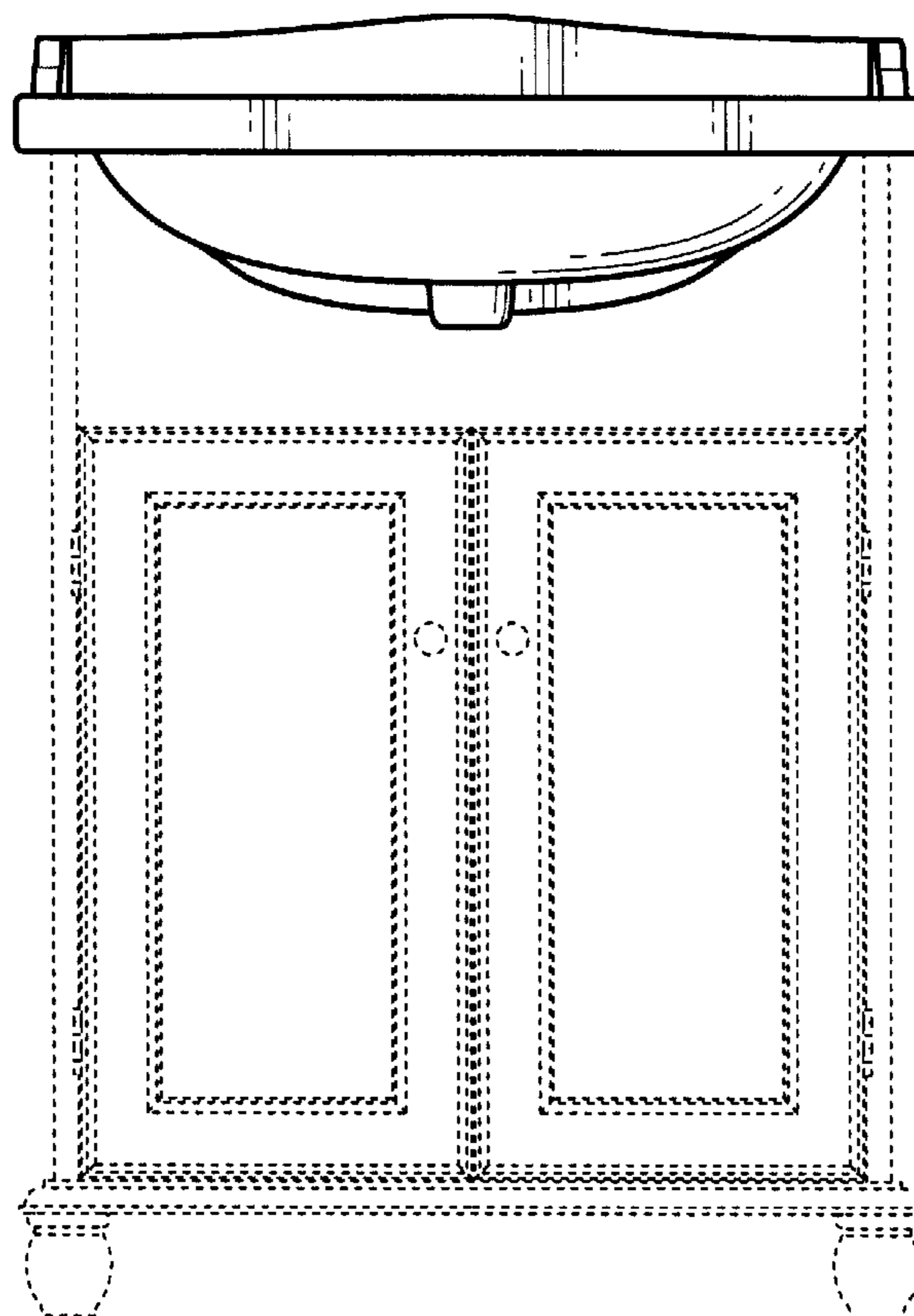
(57) **CLAIM**

The ornamental design for a sink, as shown and described.

DESCRIPTION

FIG. 1 is front elevation view showing my new design.
FIG. 2 is a rear elevation view of the sink of FIG. 1.
FIG. 3 is a left side elevation view of the sink of FIG. 1, the
right side elevation view being a mirror-image.
FIG. 4 is a top plan view of the sink of FIG. 1; and,
FIG. 5 is a bottom plan view of the sink of FIG. 1.
The portions of the drawings appearing in broken lines are
for environment only and do not form a part of the claimed
design.

1 Claim, 3 Drawing Sheets



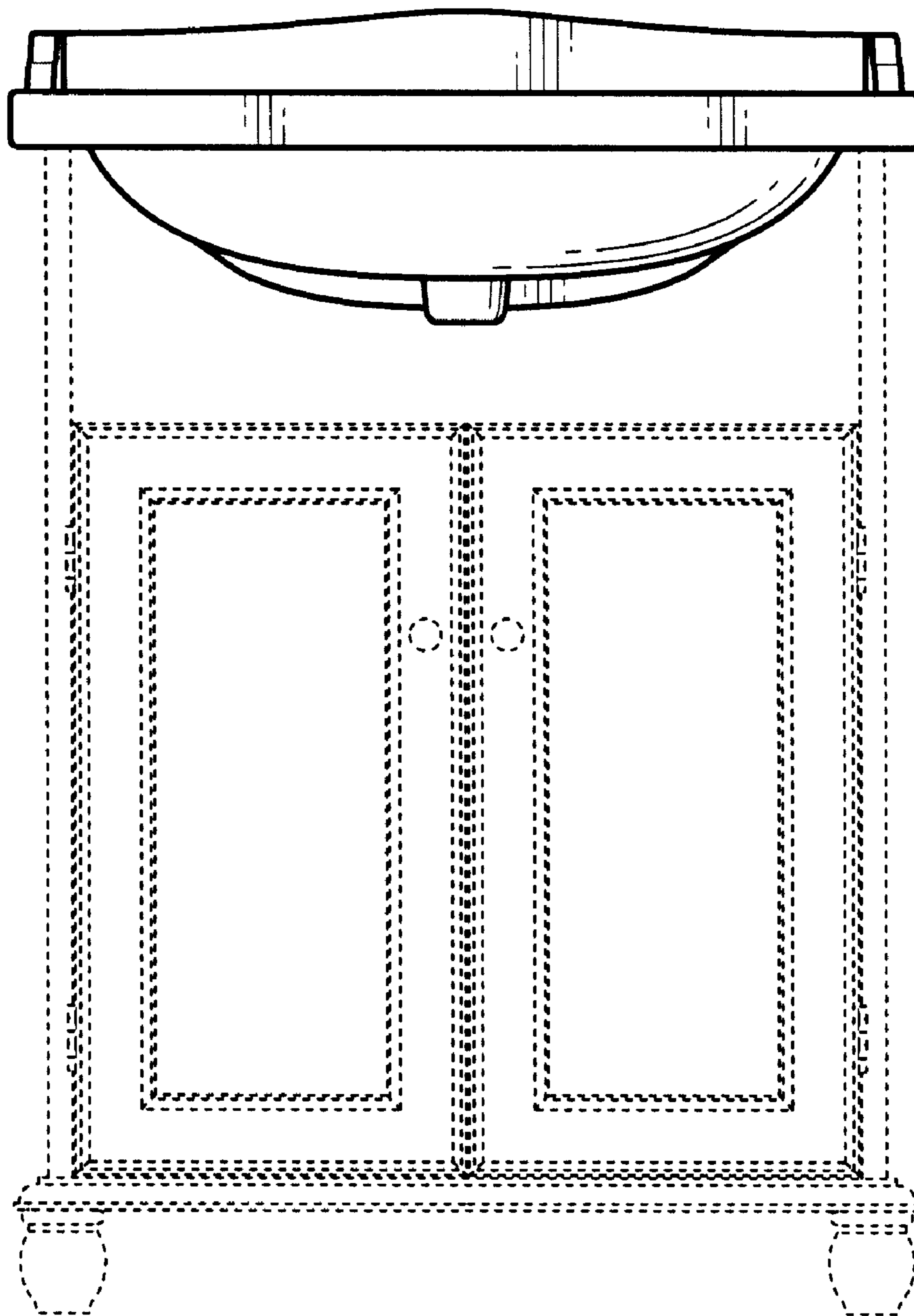


FIG. 1

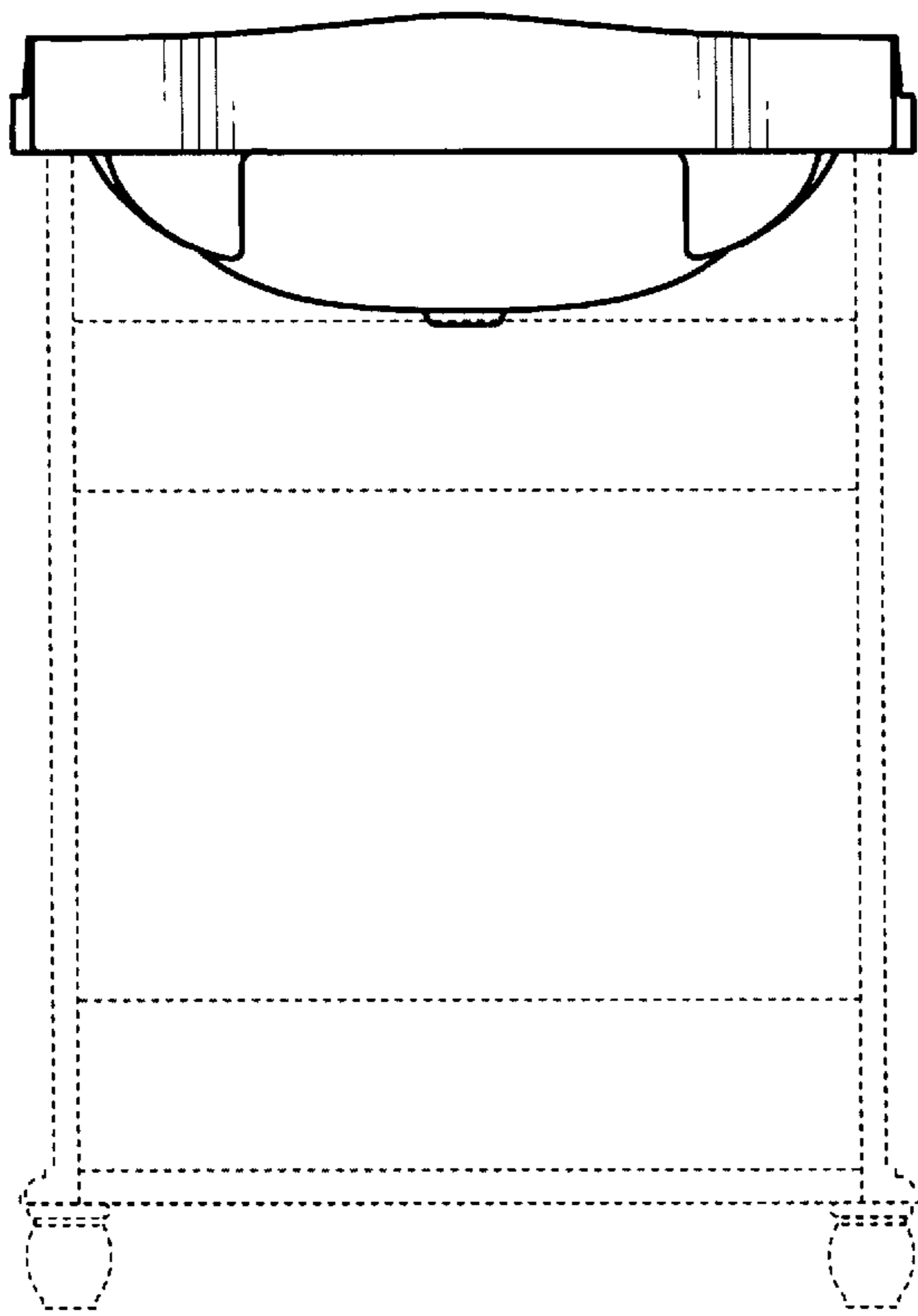


FIG. 2

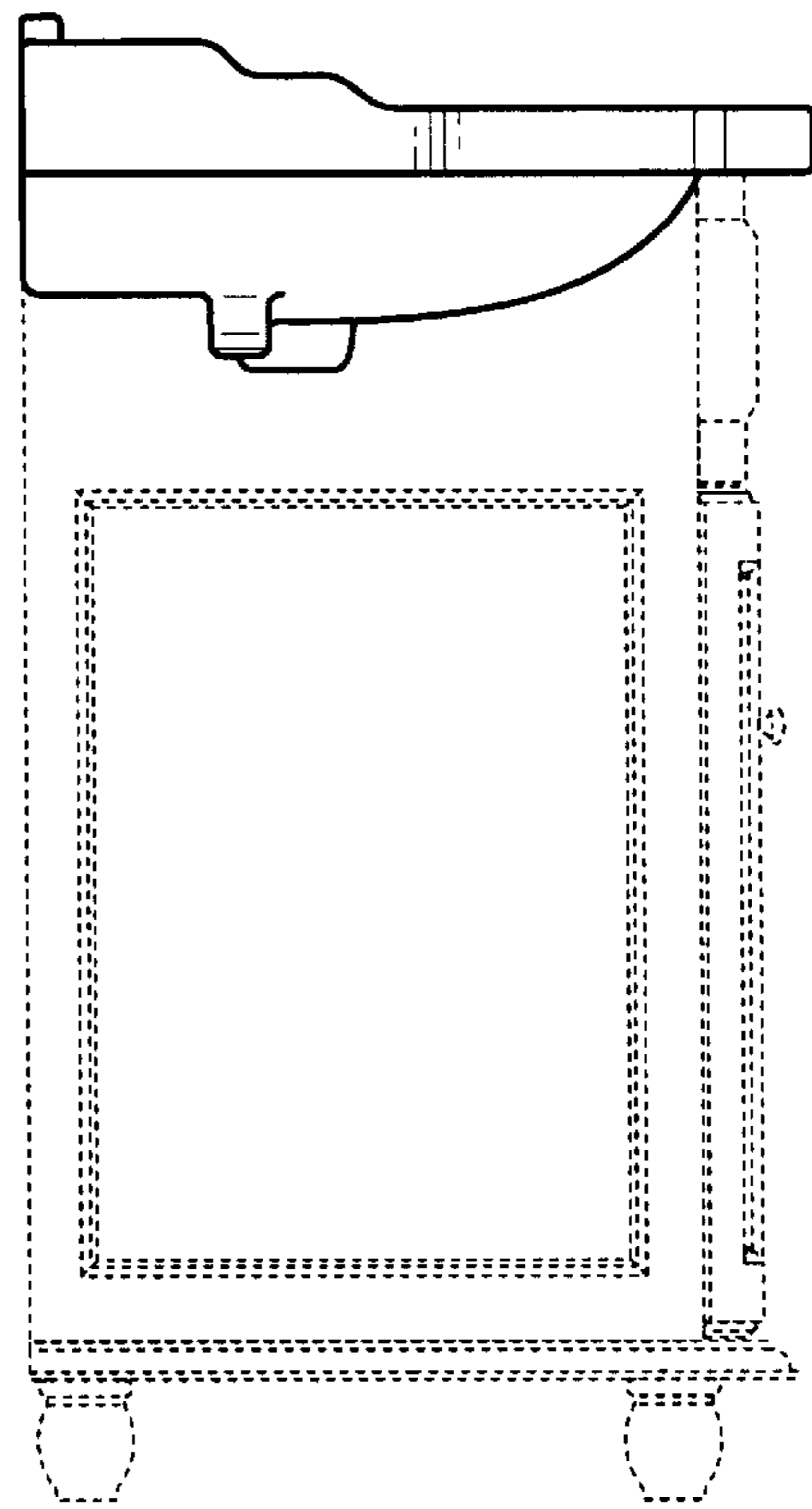


FIG. 3

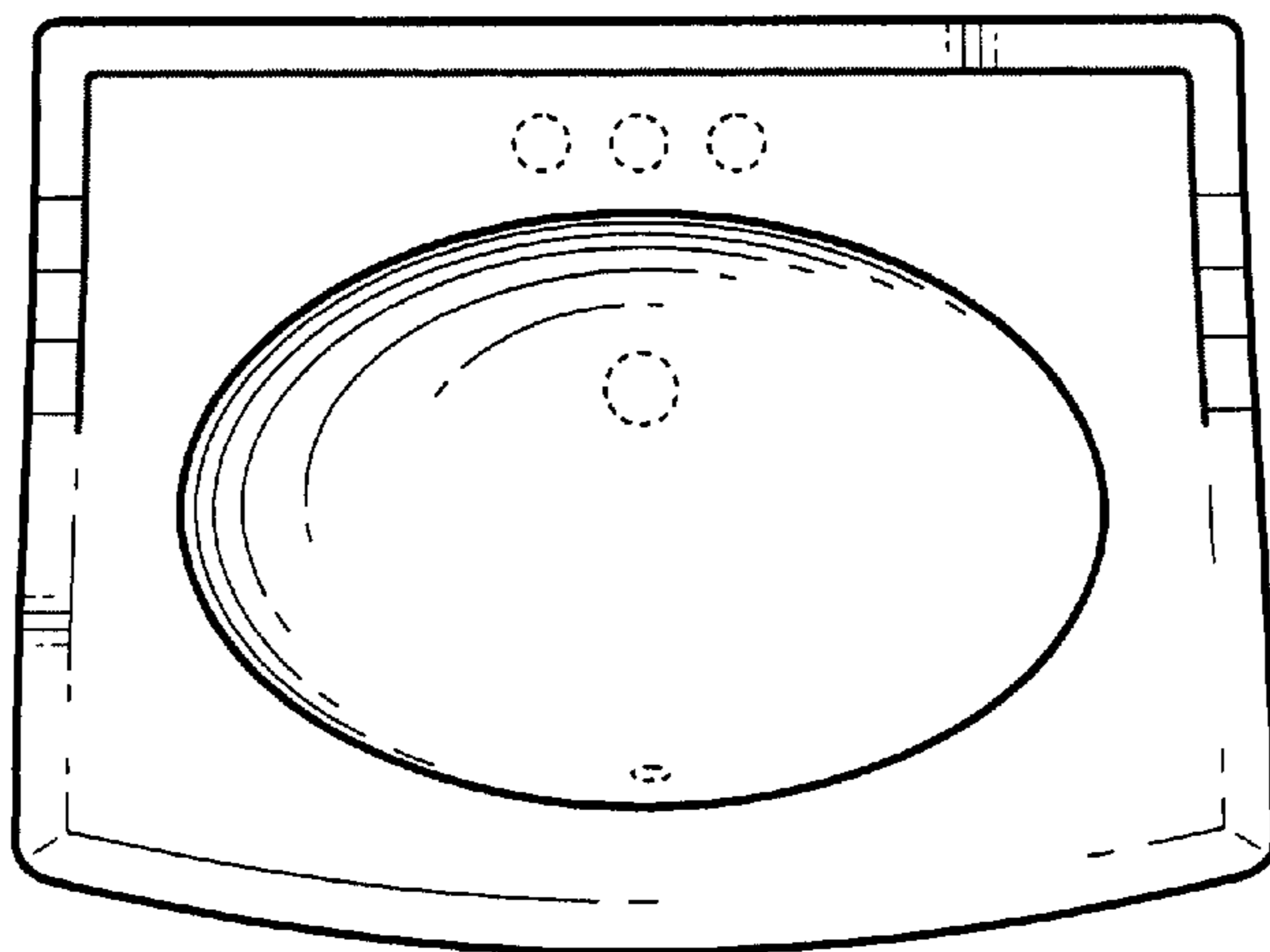


FIG. 4

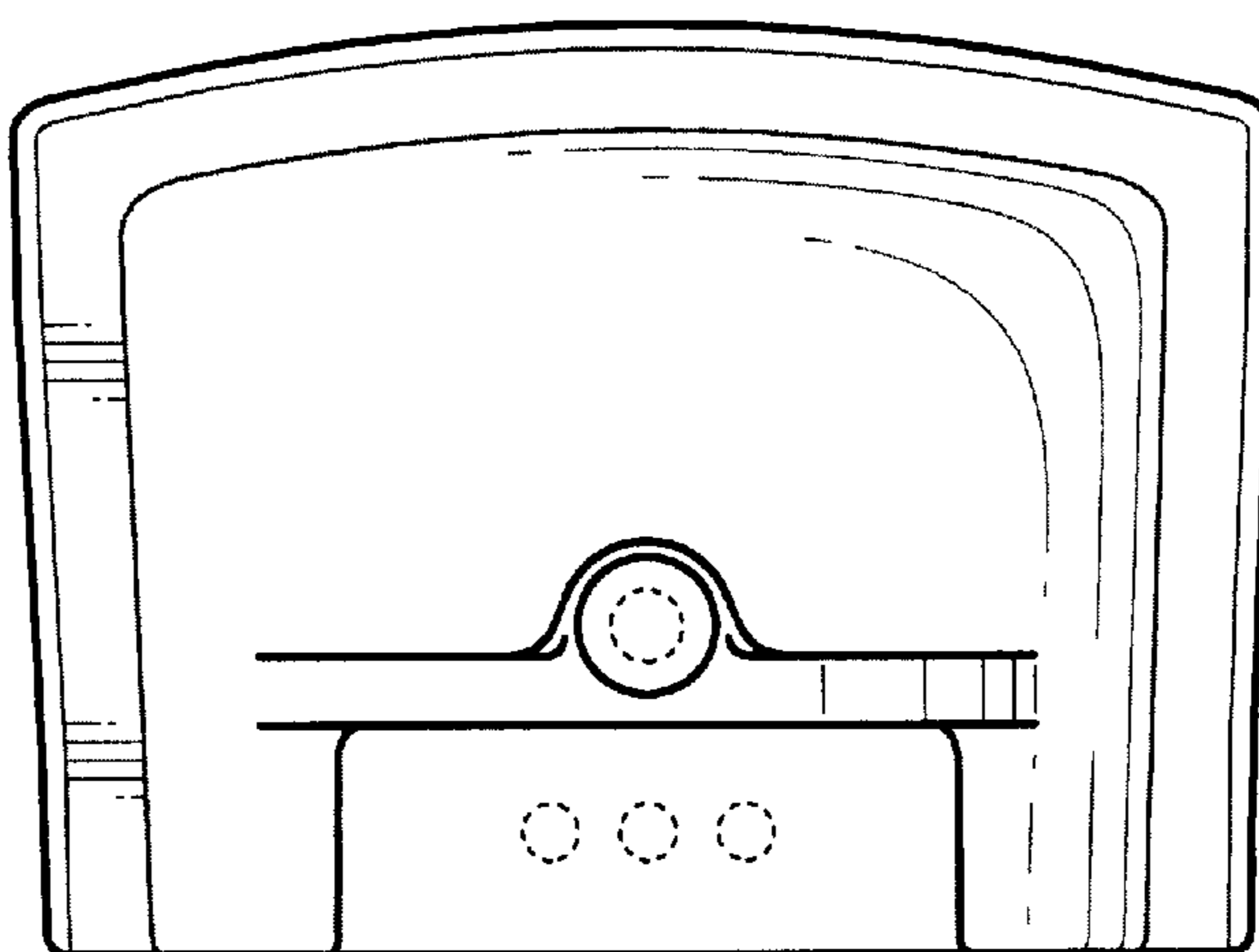


FIG. 5