



US00D537506S

(12) **United States Design Patent** (10) **Patent No.:** **US D537,506 S**
Paterson et al. (45) **Date of Patent:** **** Feb. 27, 2007**

(54) **SHOWERHEAD**
(75) Inventors: **Graham H. Paterson**, Wilmington, DE
(US); **Chris Miedzius**, Newark, DE
(US)

(73) Assignee: **Speakman Company**, New Castle, DE
(US)

(**) Term: **14 Years**

(21) Appl. No.: **29/234,578**

(22) Filed: **Jul. 20, 2005**

(51) **LOC (8) Cl.** **23-01**

(52) **U.S. Cl.** **D23/229**

(58) **Field of Classification Search** D23/213,
D23/229-230; 239/282-3, 462
See application file for complete search history.

(56) **References Cited**

U.S. PATENT DOCUMENTS

D93,638 S	10/1934	Selfridge
2,448,792 A	9/1948	Fraser
D366,307 S	1/1996	Doughty et al.
5,860,599 A	1/1999	Lin
D472,301 S	3/2003	Mueller et al.
D472,305 S	3/2003	Colligan et al.

D476,059 S	*	6/2003	Huang	D23/213
D476,062 S	*	6/2003	Singtoroj et al.	D23/229
D487,498 S		3/2004	Blomstrom		
D492,007 S		6/2004	Kollmann et al.		
D503,462 S	*	3/2005	Ouyoung	D23/229
D509,281 S		9/2005	Berghane et al.		
D510,409 S		10/2005	Xiang et al.		

* cited by examiner

Primary Examiner—Robin Webster

(74) *Attorney, Agent, or Firm*—Connolly Bove Lodge & Hutz LLP

(57) **CLAIM**

The ornamental design for showerhead, as shown and described.

DESCRIPTION

FIG. 1 is a left side elevation view of a showerhead showing my new design, the right side being a mirror image; FIG. 2 is a front elevational view thereof; FIG. 3 is a rear elevational view thereof; FIG. 4 is a top plan view thereof; and, FIG. 5 is a bottom plan view thereof. The phantom line representations shown in FIGS. 1-5 of the swivel connector, handle and spray nozzles for the purpose of illustration only, and form no part of the claimed design.

1 Claim, 1 Drawing Sheet

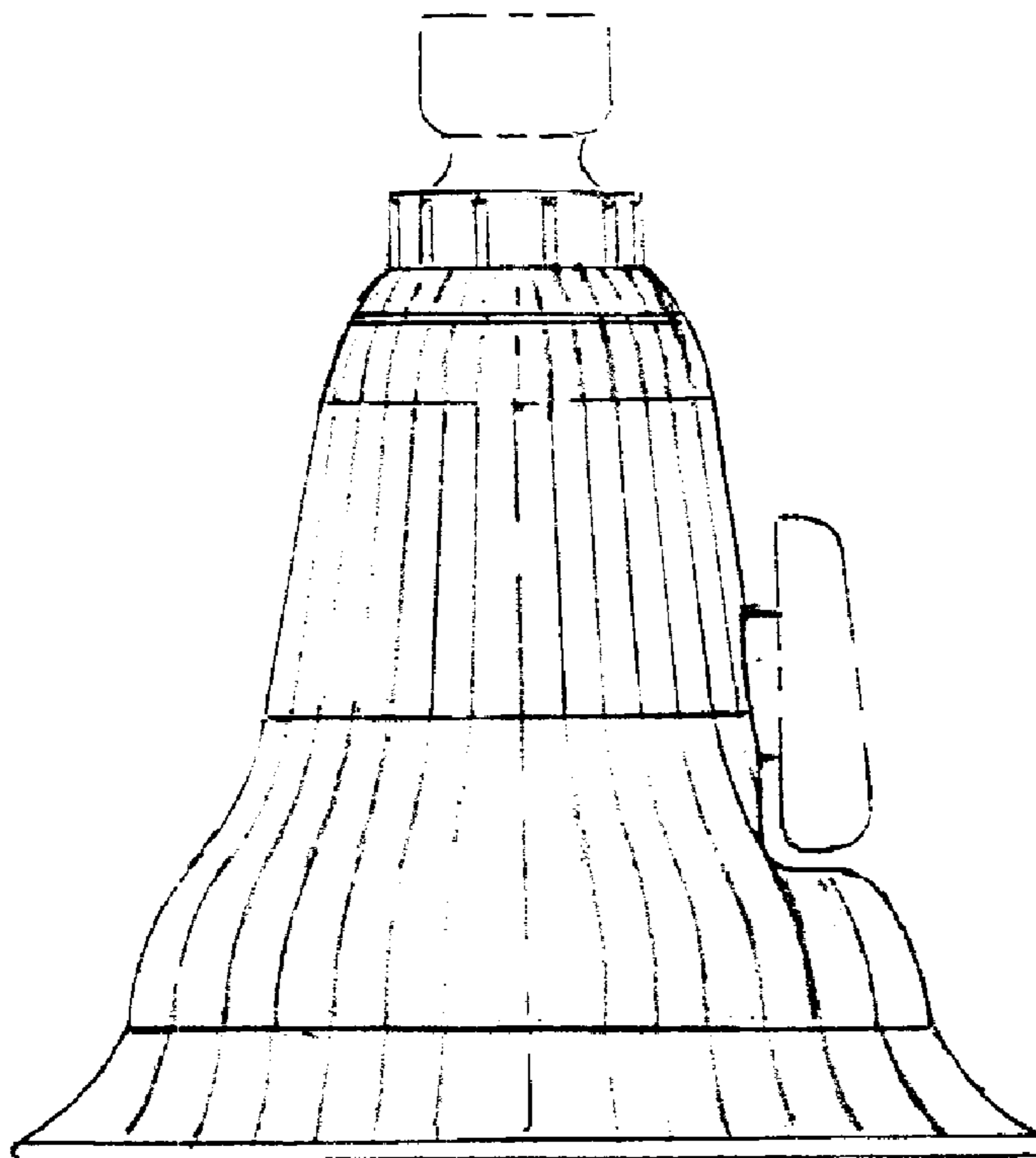


Fig. 4.

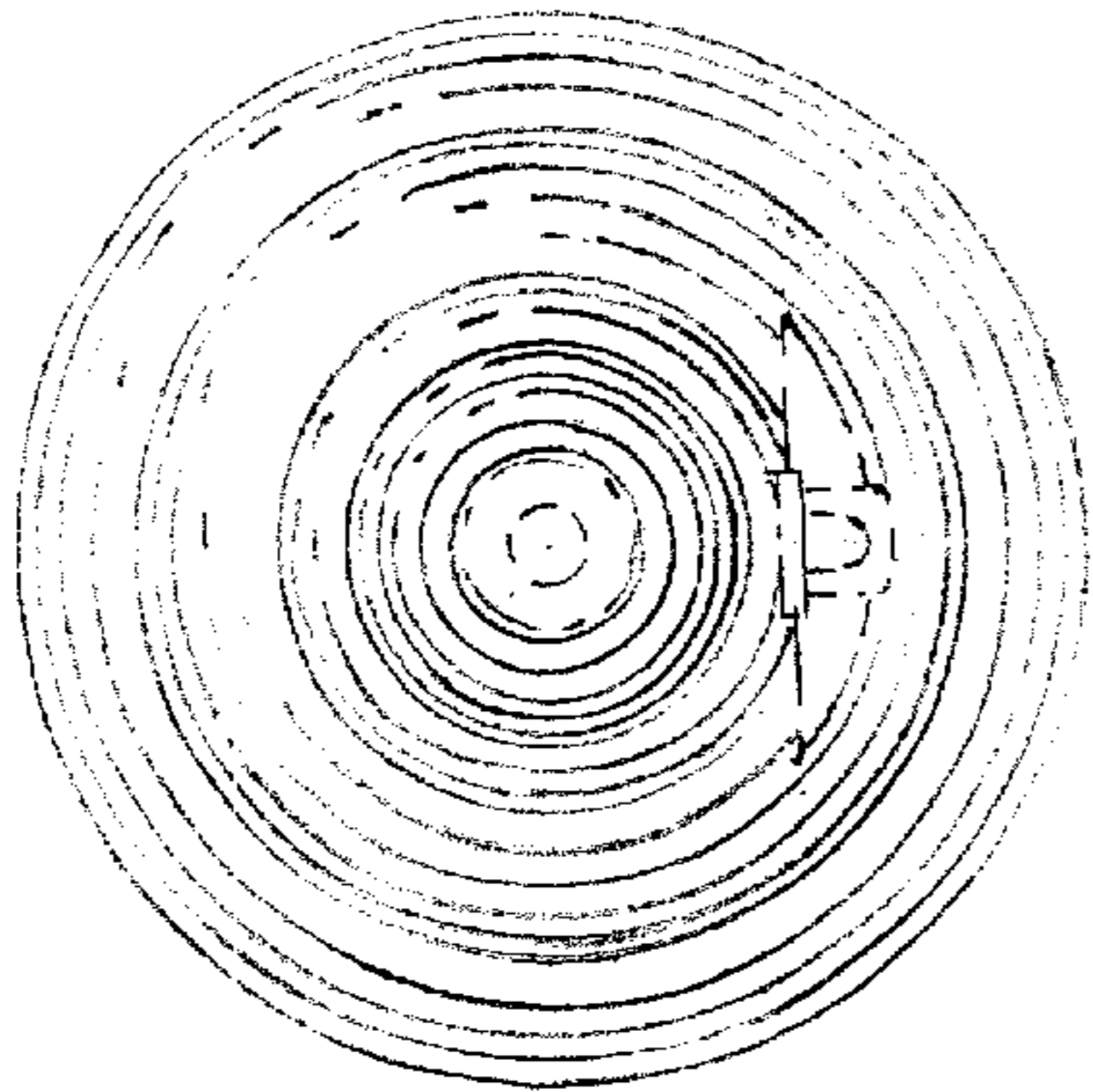


Fig. 1.

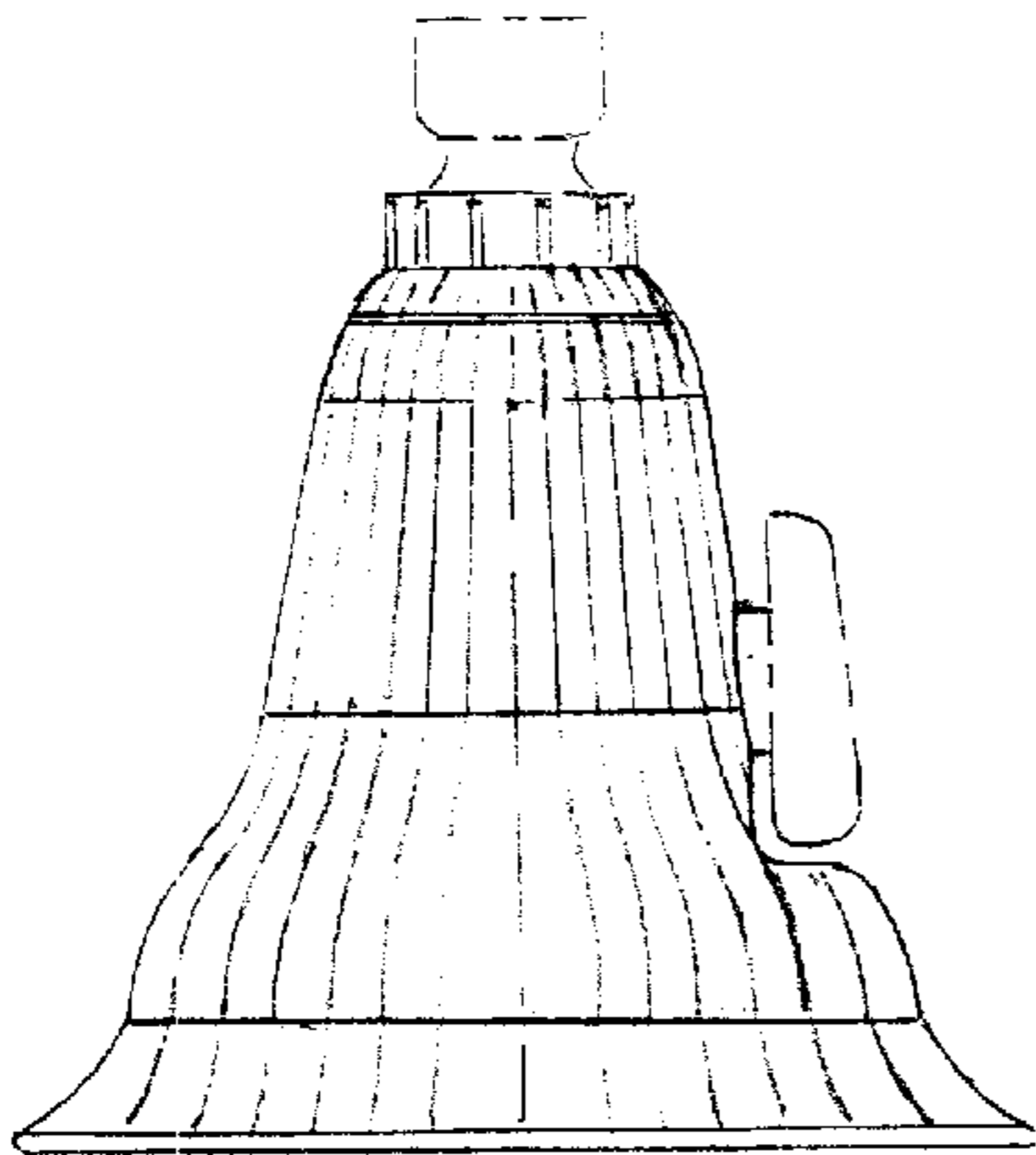


Fig. 2.

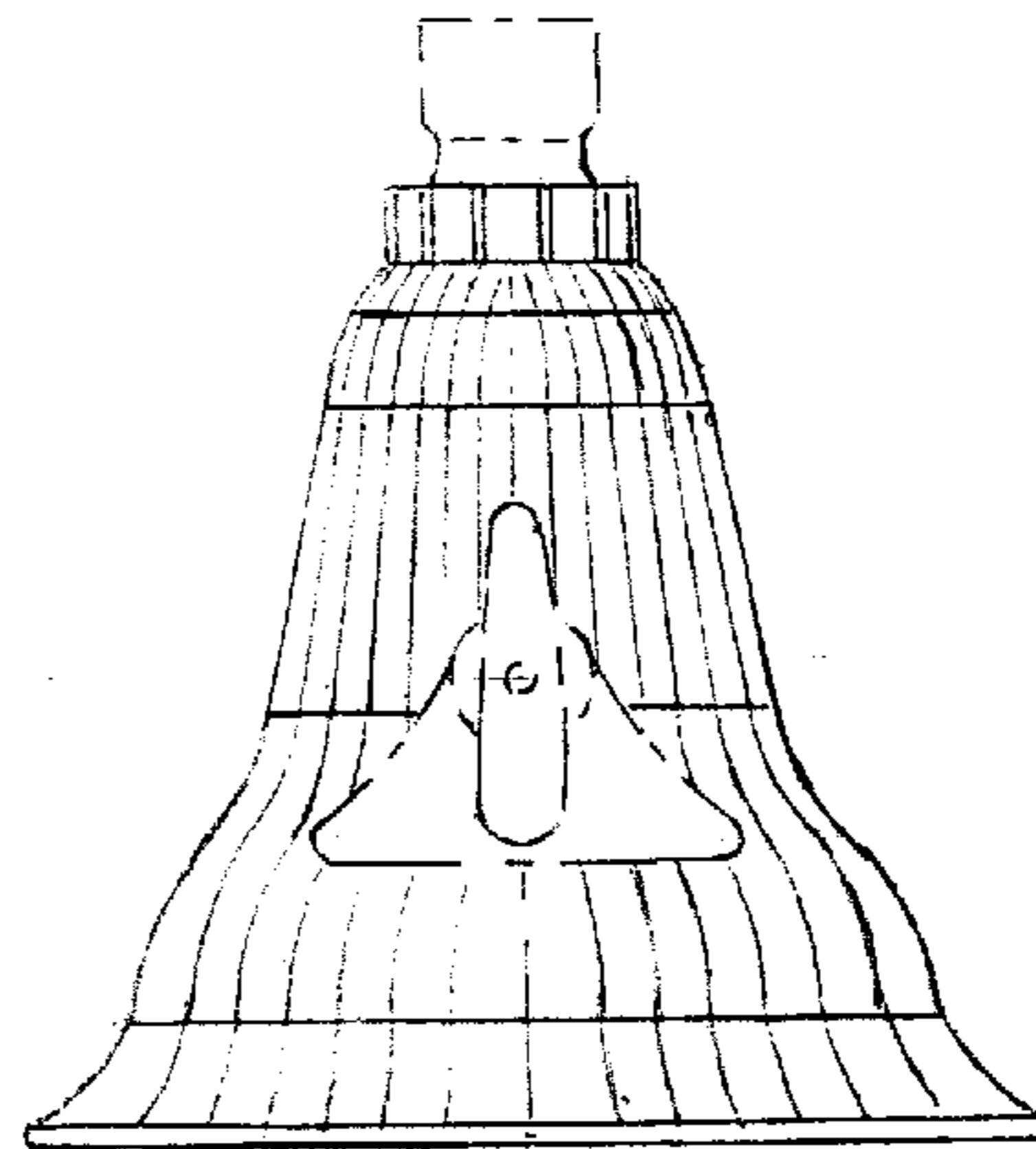


Fig. 5.

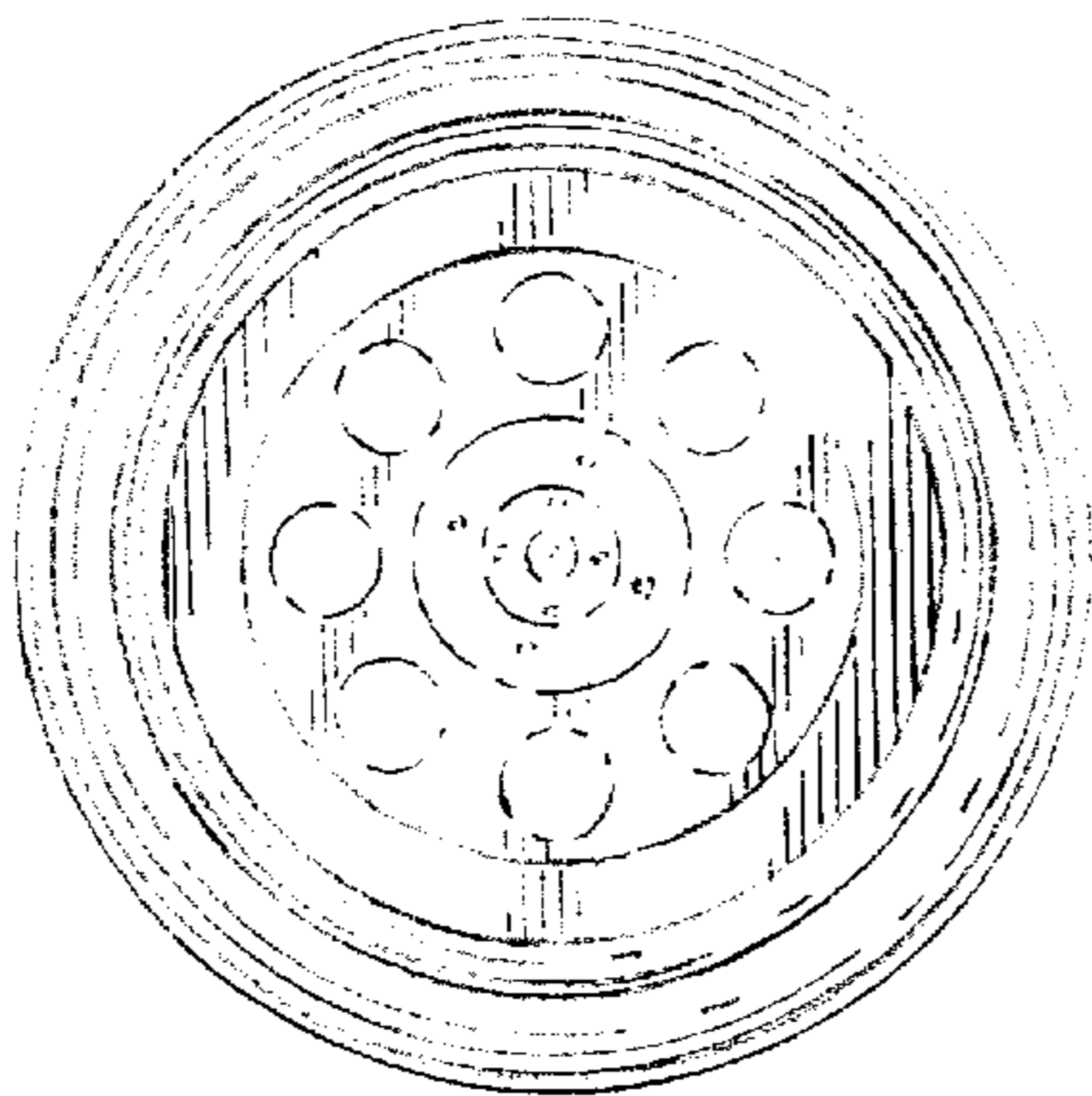


Fig. 3.

