



US00D537505S

(12) **United States Design Patent**  
**Huang**

(10) **Patent No.:** **US D537,505 S**

(45) **Date of Patent:** **\*\* Feb. 27, 2007**

(54) **SPRAY GUN BODY**

D497,661 S \* 10/2004 Chen ..... D23/226  
D522,613 S \* 6/2006 Huang ..... D23/226

(76) Inventor: **Tiao-Hsiang Huang**, No. 190, Chung Cheng St., Shin Chuang City, Taipei Hsien (TW)

\* cited by examiner

(\*\*) Term: **14 Years**

*Primary Examiner*—Robin Webster

(74) *Attorney, Agent, or Firm*—Rosenberg, Klein & Lee

(21) Appl. No.: **29/236,386**

(57) **CLAIM**

(22) Filed: **Aug. 16, 2005**

I claim, the ornamental design for a spray gun body, as shown and described.

(51) **LOC (8) Cl.** ..... **23-01**

**DESCRIPTION**

(52) **U.S. Cl.** ..... **D23/226**

(58) **Field of Classification Search** ..... D23/213,  
D23/223, 225-6; 239/525-527, 302; 361/227-8  
See application file for complete search history.

FIG. 1 is a perspective view of a spray gun body showing my present design;

FIG. 2 is a front view thereof;

FIG. 3 is a rear view thereof;

FIG. 4 is a left view thereof;

FIG. 5 is a right view thereof;

FIG. 6 is a top plan view thereof; and,

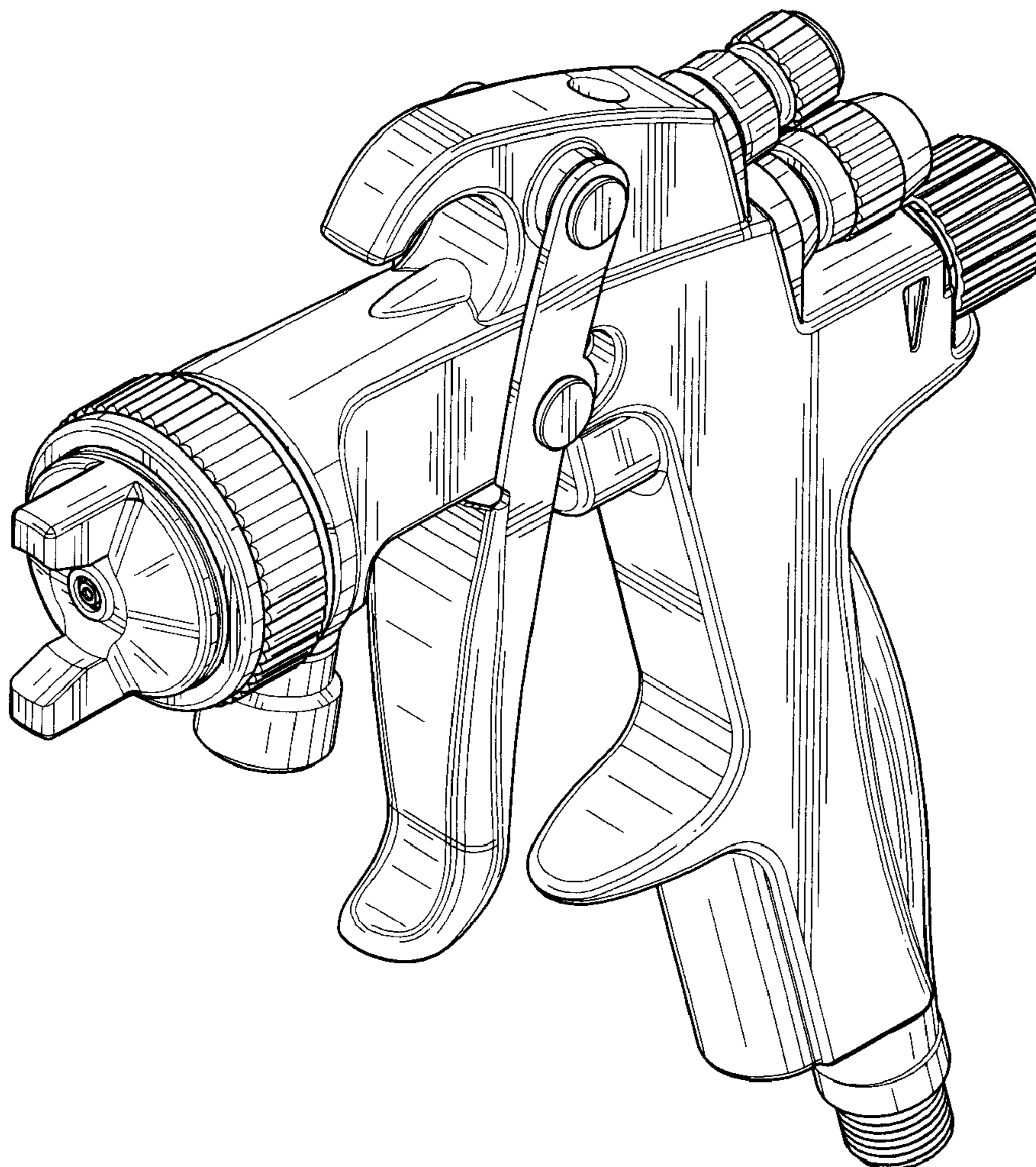
FIG. 7 is a bottom plan view thereof.

(56) **References Cited**

**U.S. PATENT DOCUMENTS**

D295,548 S \* 5/1988 Dalton ..... D23/226  
RE34,608 E \* 5/1994 Hufgard ..... 239/300  
D409,719 S \* 5/1999 Kaneko ..... D23/226

**1 Claim, 5 Drawing Sheets**



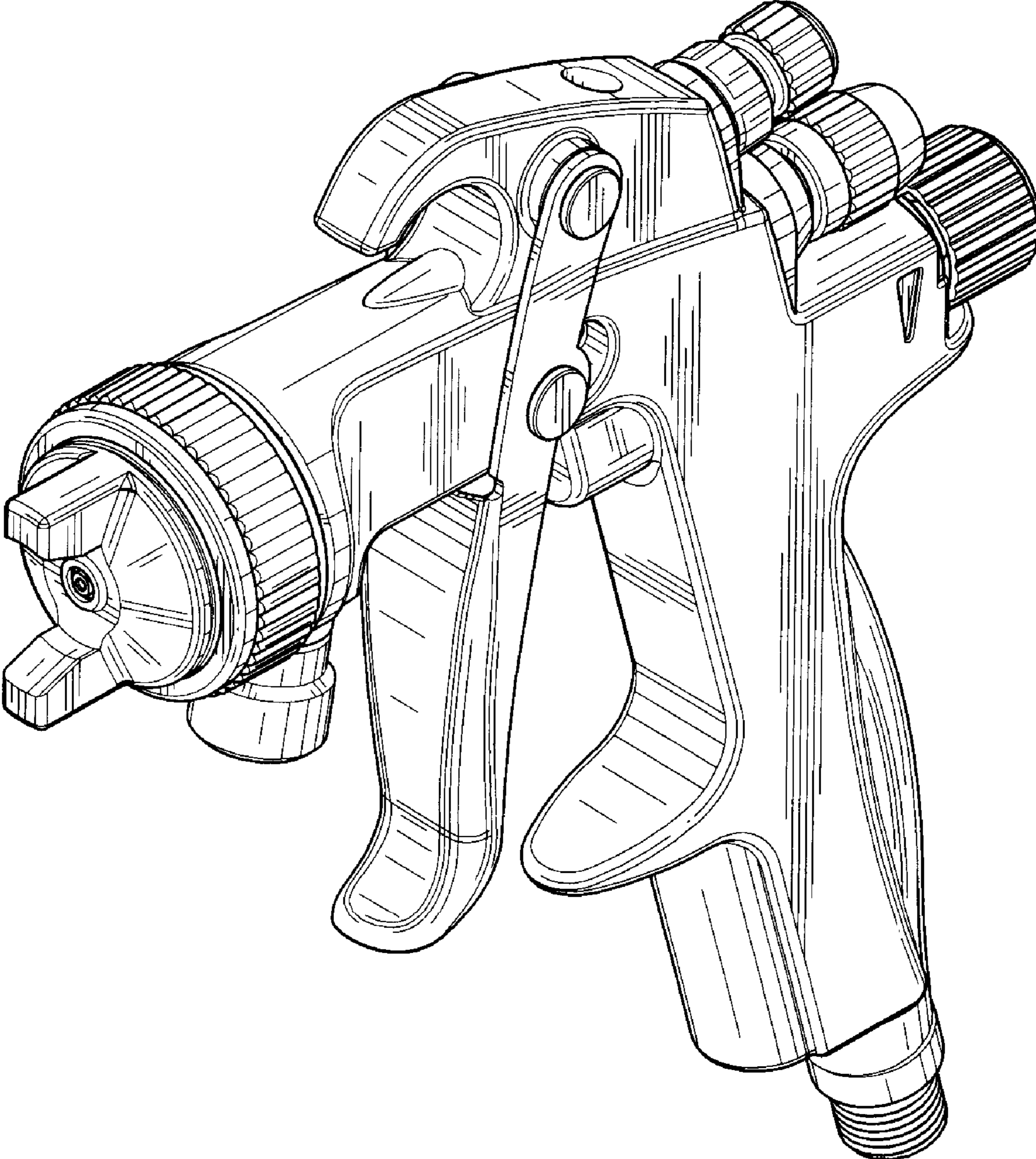


FIG. 1

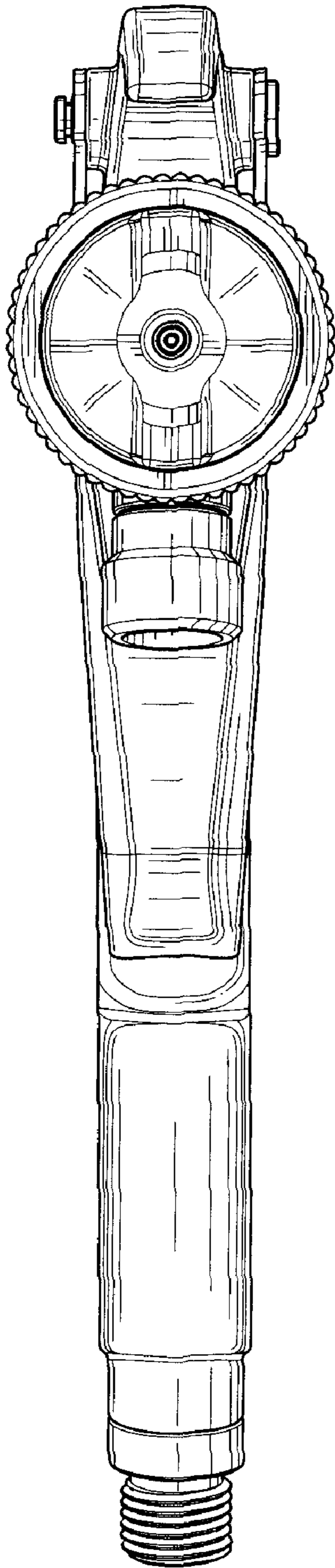


FIG. 2

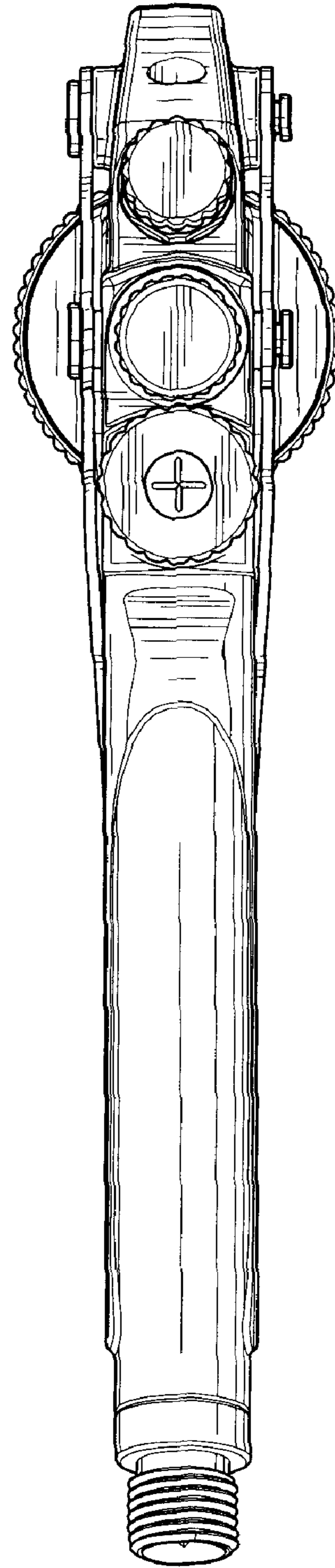


FIG. 3

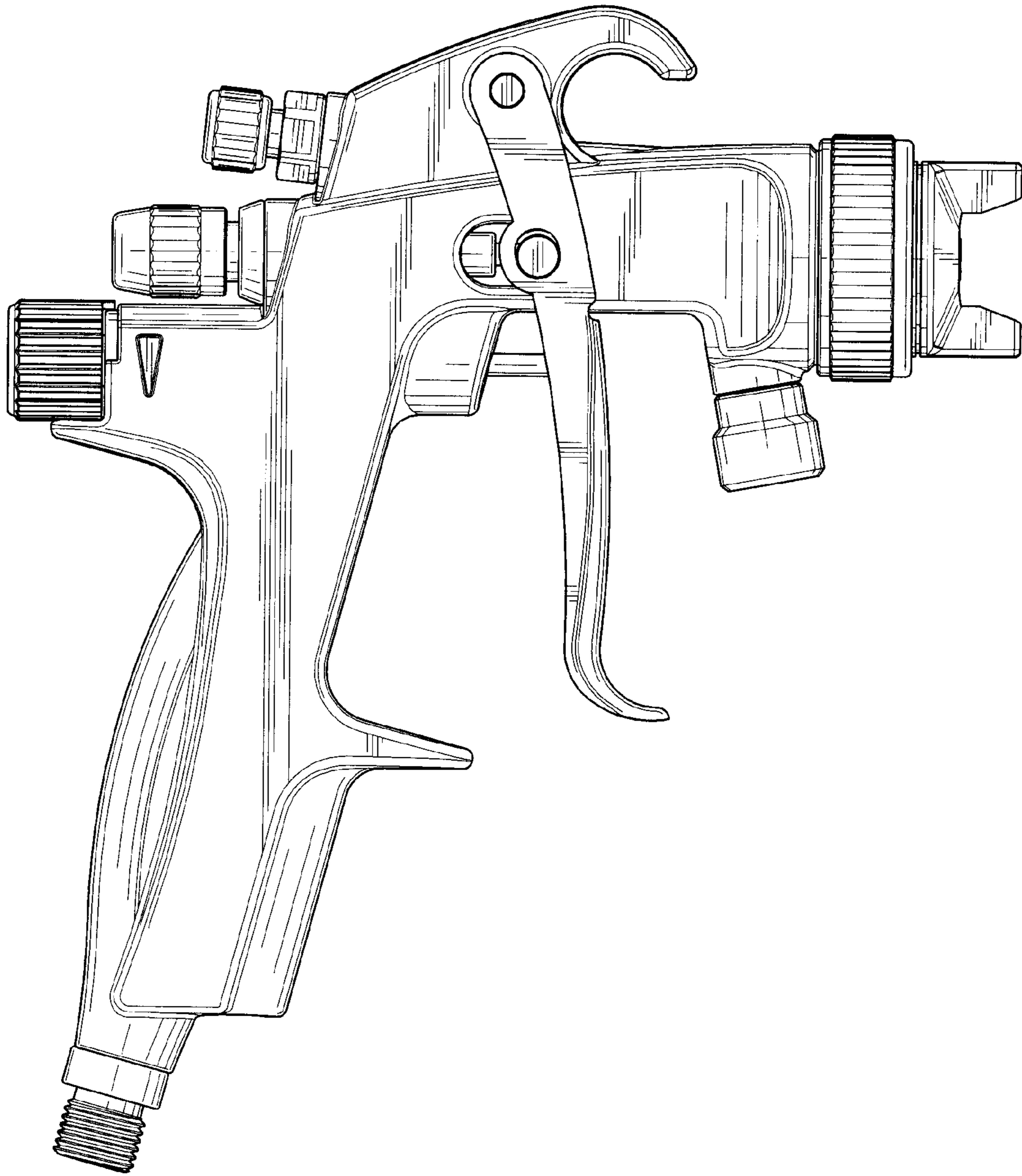


FIG. 4

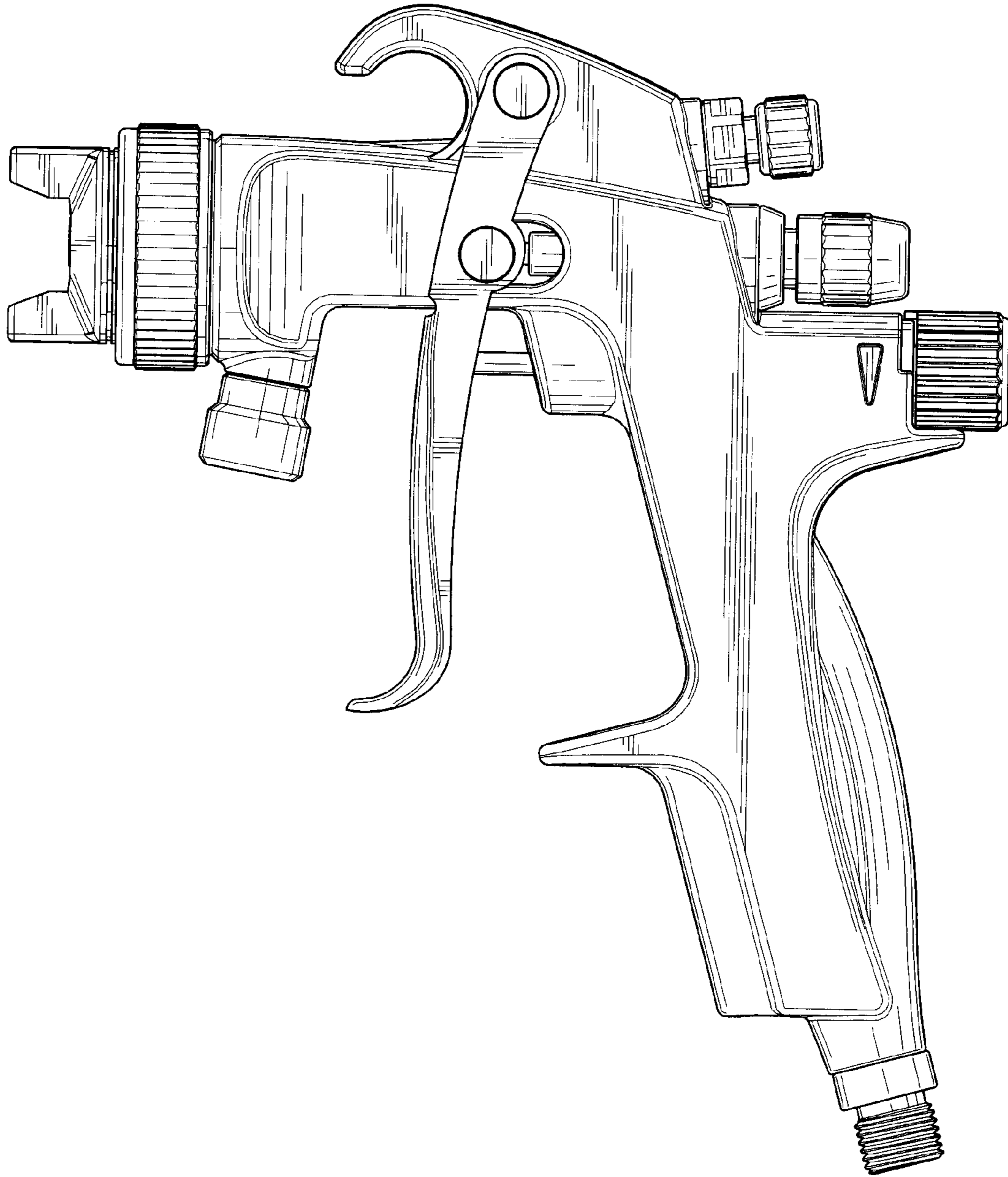


FIG. 5

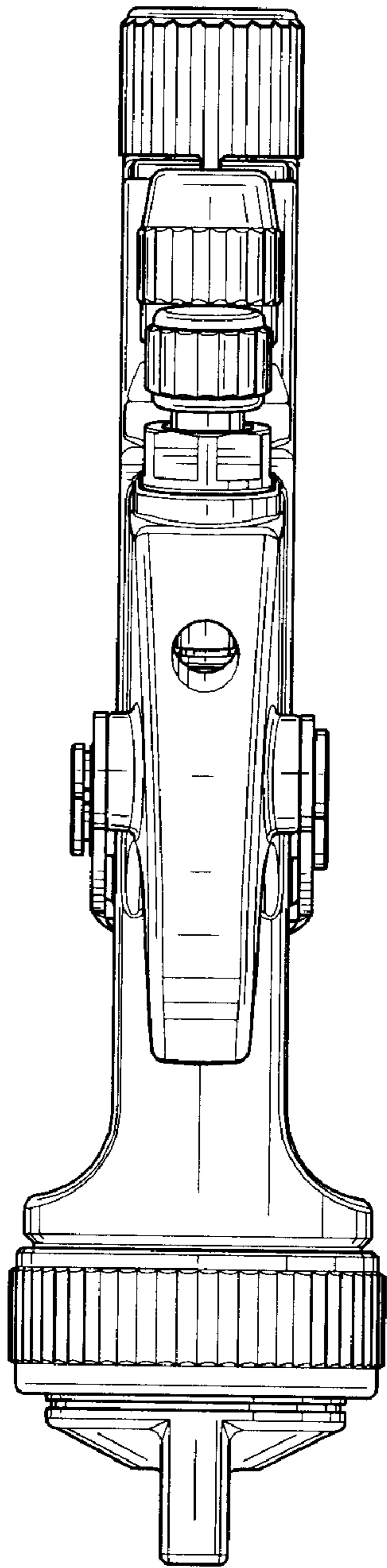


FIG. 6

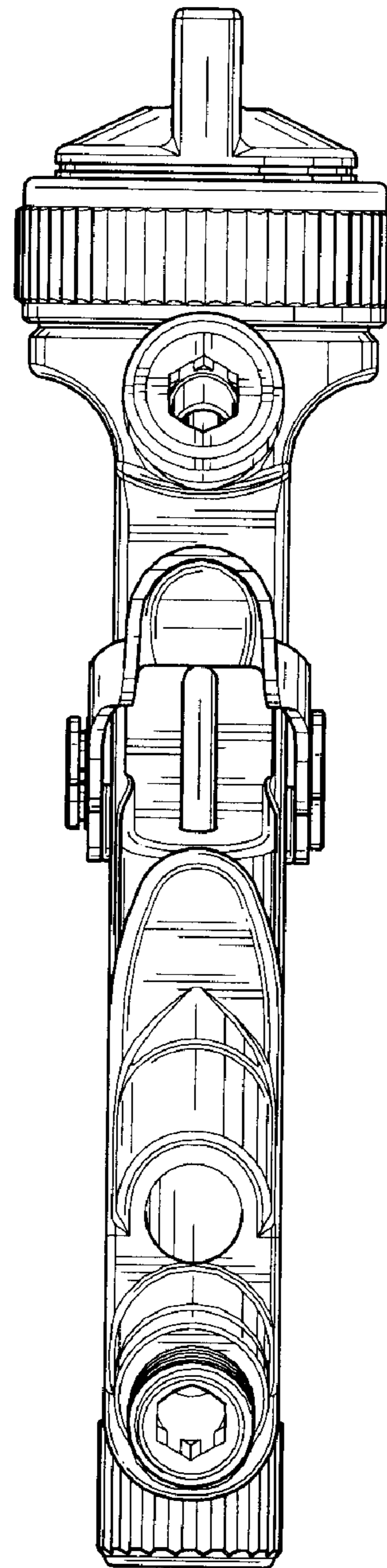


FIG. 7