



US00D537504S

(12) **United States Design Patent**
Luo

(10) **Patent No.:** **US D537,504 S**

(45) **Date of Patent:** **** Feb. 27, 2007**

(54) **WATERING NOZZLE**

6,698,671 B1 * 3/2004 Chen 239/525

(76) Inventor: **Shun-Nan Luo**, P.O. Box 487,
Chang-Hua (TW), 500

* cited by examiner

Primary Examiner—Robin Webster

(**) Term: **14 Years**

(57) **CLAIM**

(21) Appl. No.: **29/235,950**

The ornamental design for watering nozzle, as shown and described.

(22) Filed: **Aug. 10, 2005**

DESCRIPTION

(51) **LOC (8) Cl.** **23-01**

(52) **U.S. Cl.** **D23/226**

(58) **Field of Classification Search** D23/213,
D23/223, 225, 226; 239/525-7, 459
See application file for complete search history.

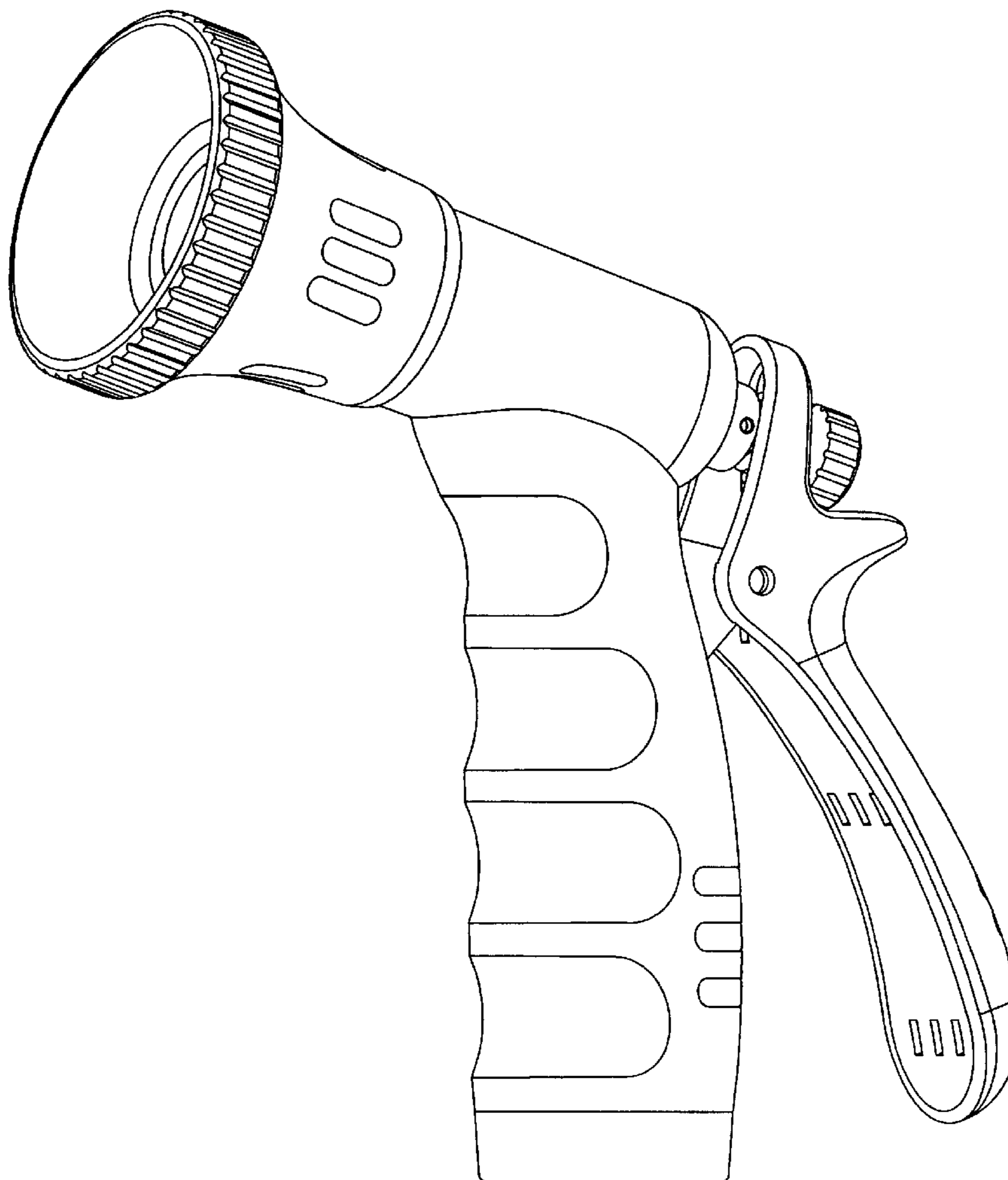
FIG. 1 is a perspective view of watering nozzle showing my new design;
FIG. 2 is a front elevational view thereof; the rear elevation view is a mirror image thereof;
FIG. 3 is a rear elevation view thereof;
FIG. 4 is a left side view thereof;
FIG. 5 is a right side view thereof;
FIG. 6 is a top plan view thereof; and,
FIG. 7 is a bottom plan view thereof.

(56) **References Cited**

U.S. PATENT DOCUMENTS

- D392,719 S * 3/1998 Guo D23/226
- D408,496 S * 4/1999 Wang D23/226
- D409,720 S * 5/1999 Guo D23/226

1 Claim, 7 Drawing Sheets



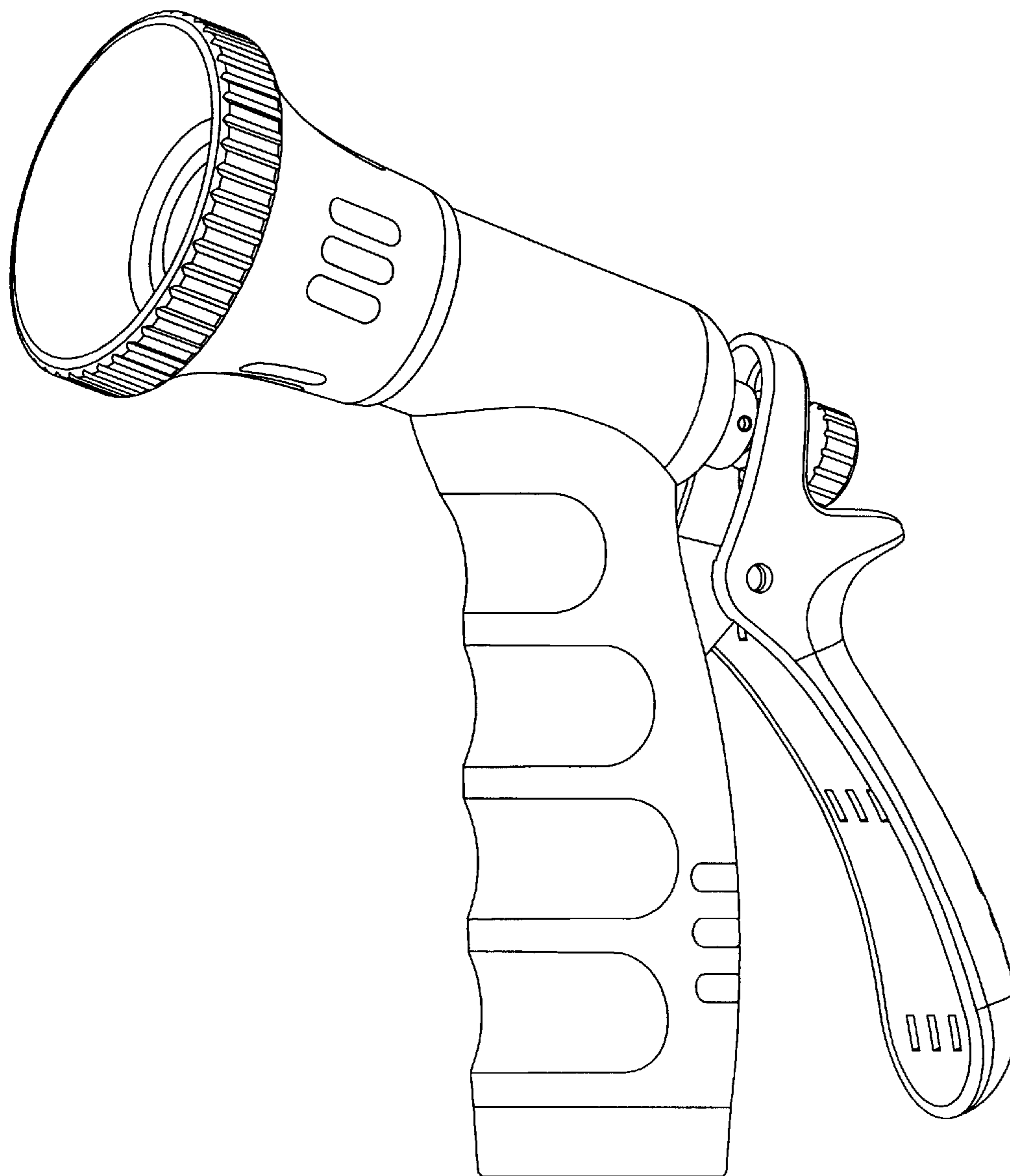


FIG 1

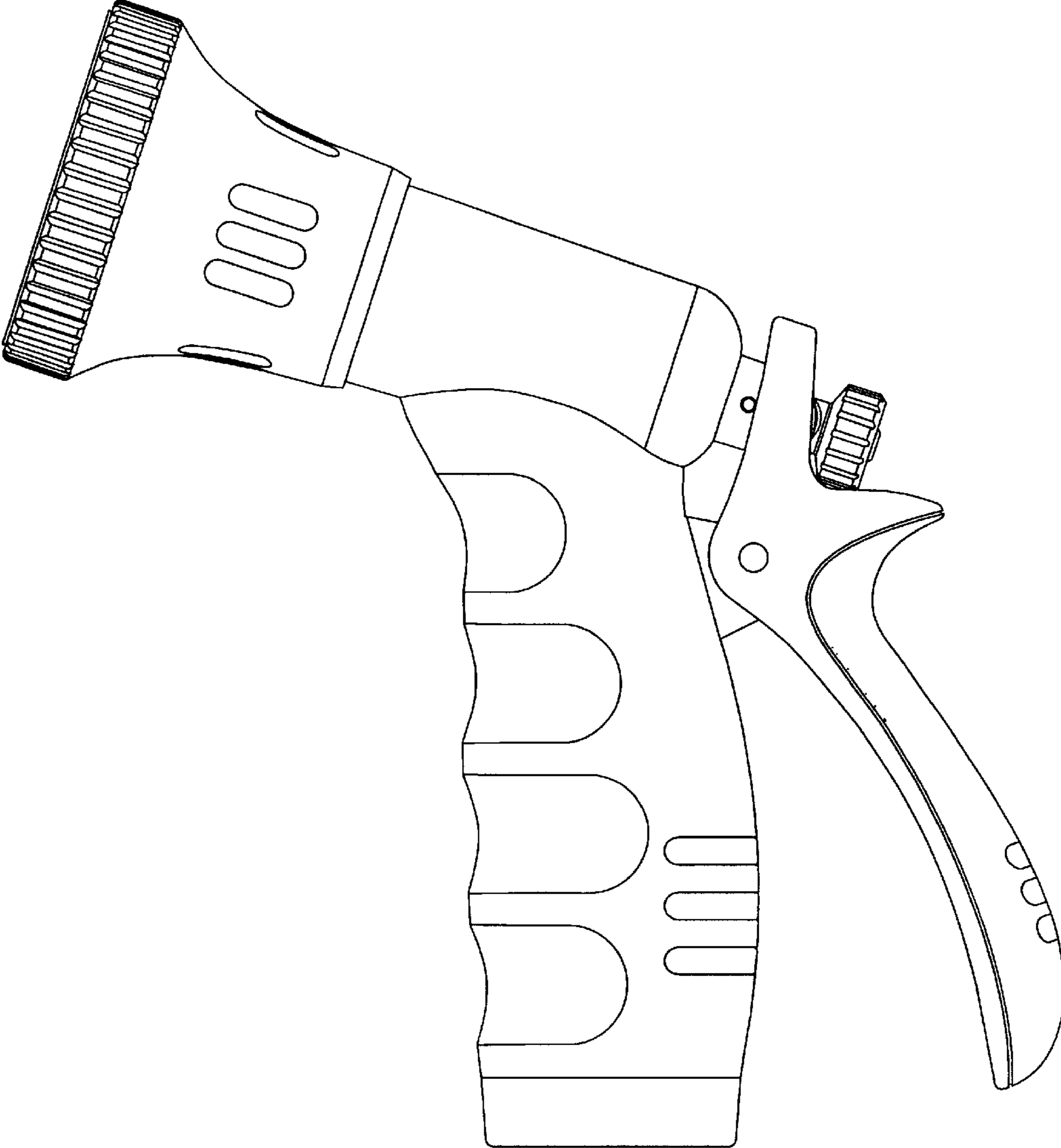


FIG 2

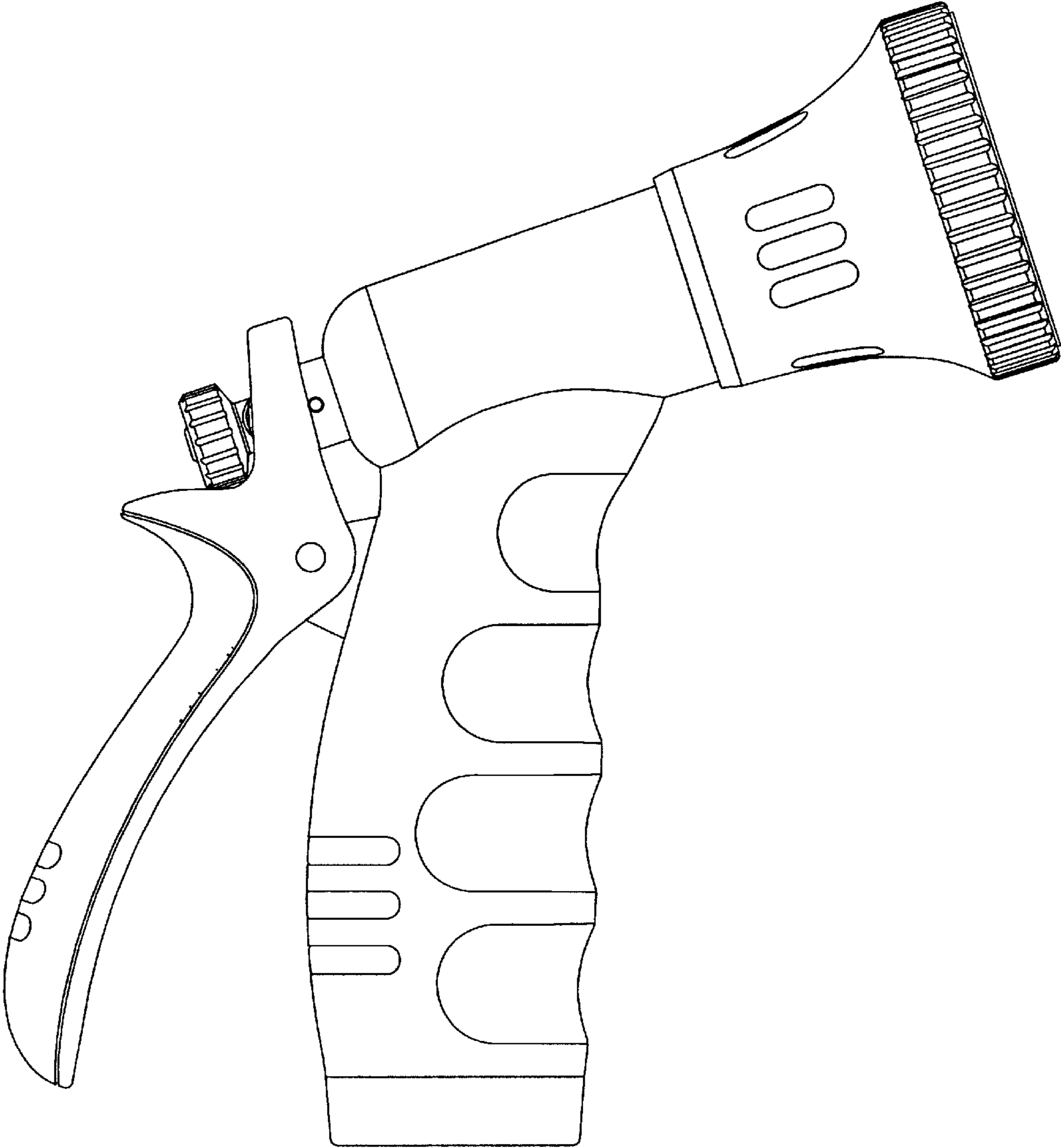


FIG 3

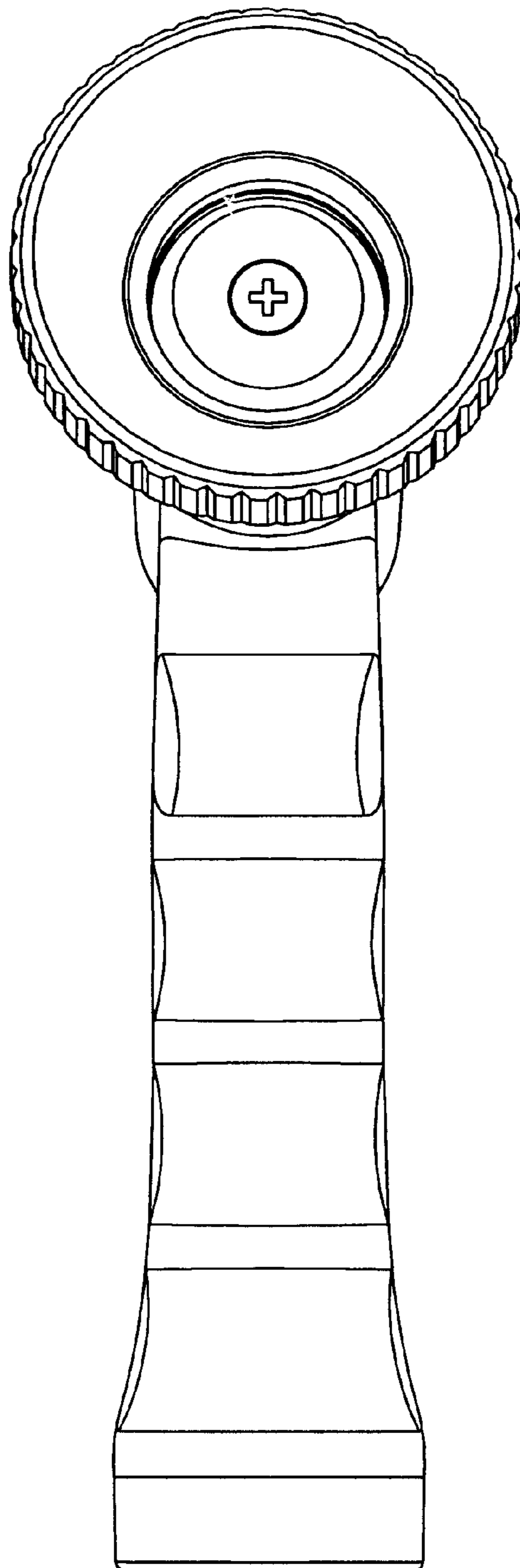


FIG 4

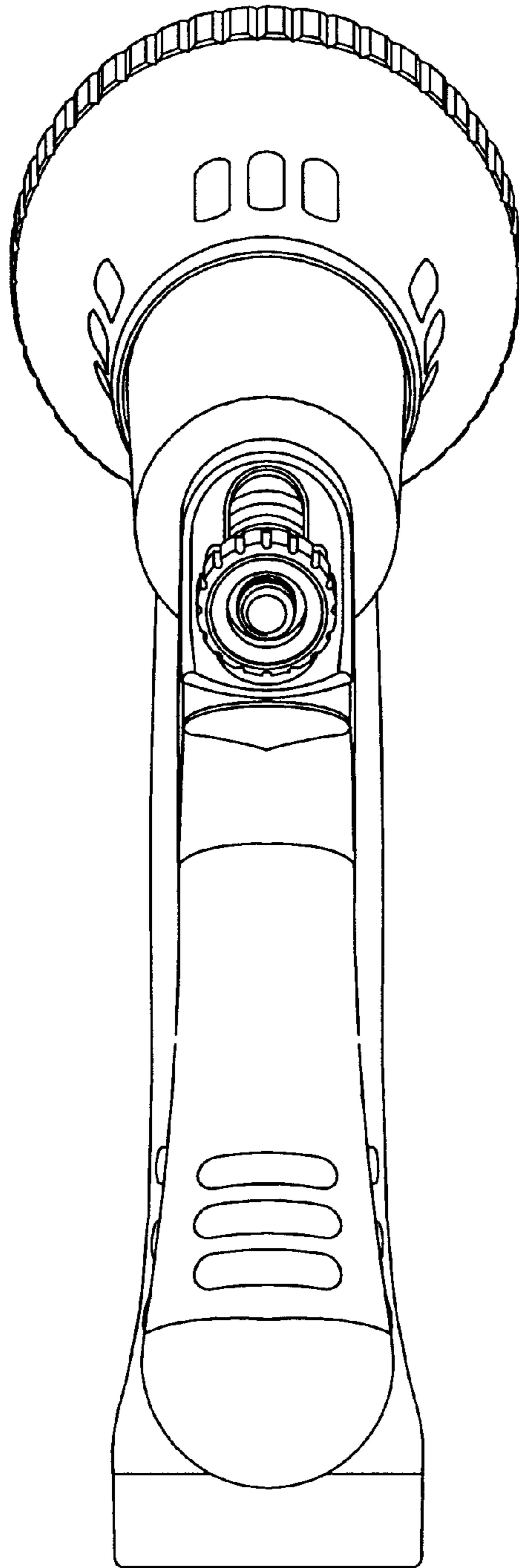


FIG 5

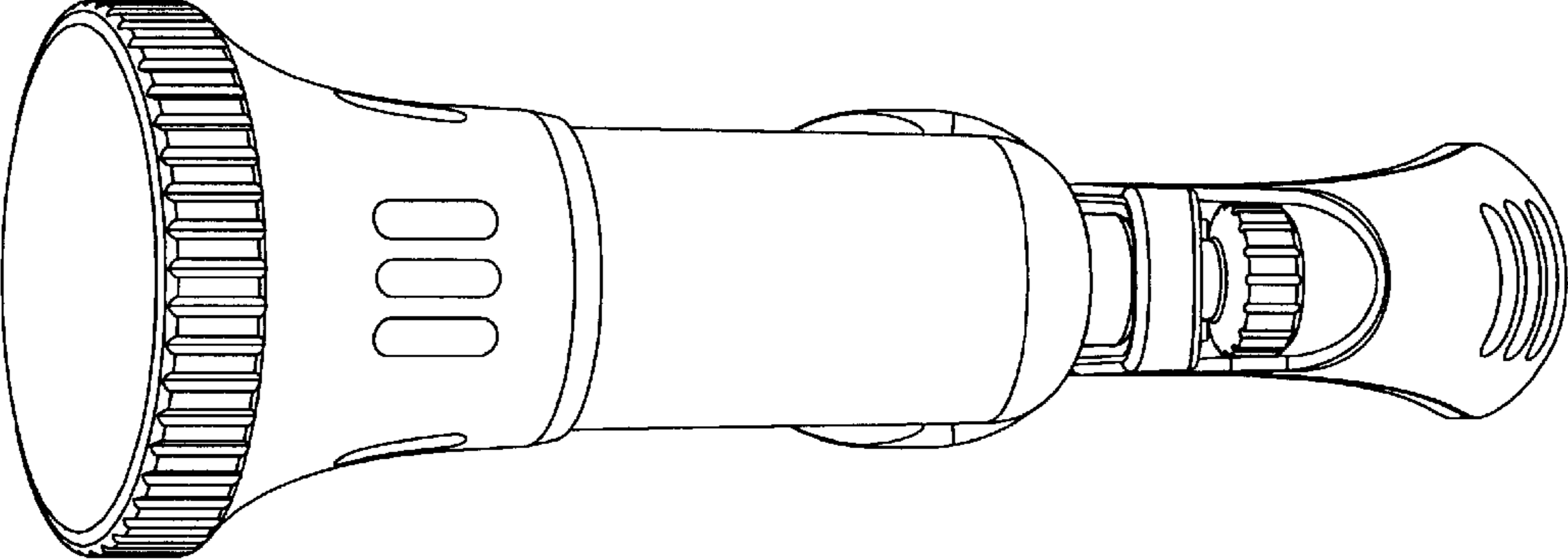


FIG 6

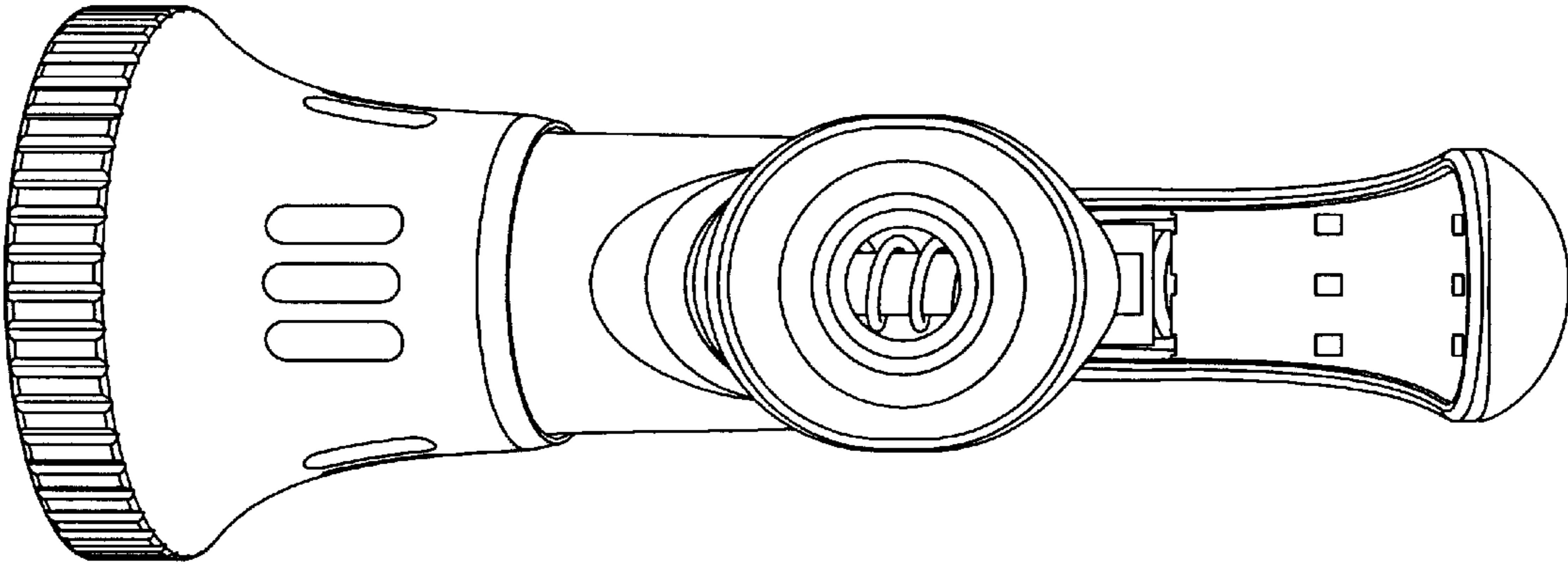


FIG 7