



US00D537502S

(12) **United States Design Patent**
Miller

(10) **Patent No.:** **US D537,502 S**

(45) **Date of Patent:** **** Feb. 27, 2007**

(54) **FILTER ELEMENT**

(75) Inventor: **Daniel W. Miller**, Luckey, OH (US)

(73) Assignee: **Parker-Hannifin Corporation**,
Cleveland, OH (US)

(**) Term: **14 Years**

(21) Appl. No.: **29/247,068**

(22) Filed: **May 26, 2006**

Related U.S. Application Data

(63) Continuation of application No. 29/219,592, filed on Dec. 17, 2004, which is a continuation-in-part of application No. 29/205,521, filed on May 17, 2004, now abandoned.

(51) **LOC (8) Cl.** **23-01**

(52) **U.S. Cl.** **D23/209**

(58) **Field of Classification Search** D23/209,
D23/365; 210/493.1, 493.2, 497.01; 55/521-22
See application file for complete search history.

(56) **References Cited**

U.S. PATENT DOCUMENTS

4,272,368 A 6/1981 Foord et al.
6,096,207 A * 8/2000 Hoffman et al. 210/232
D440,294 S * 4/2001 Bilek D23/365
D492,386 S * 6/2004 Kamata et al. D23/209

6,752,847 B2 * 6/2004 Smithies 55/521
D497,972 S * 11/2004 Reynolds et al. D23/209
6,911,144 B2 * 6/2005 Van Pelt et al. 210/232
D521,137 S * 5/2006 Khalil D23/365
2004/0035509 A1 2/2004 Schlensker et al.

FOREIGN PATENT DOCUMENTS

WO WO 02/38247 A1 5/2002

* cited by examiner

Primary Examiner—Robin Webster

(74) *Attorney, Agent, or Firm*—Christopher H. Hunter

(57) **CLAIM**

The ornamental design for a filter element, as shown and described.

DESCRIPTION

FIG. 1 is a front view of the filter element, showing my new design;

FIG. 2 is a right side view of the filter element, the left side being a mirror image;

FIG. 3 is a rear view of the filter element;

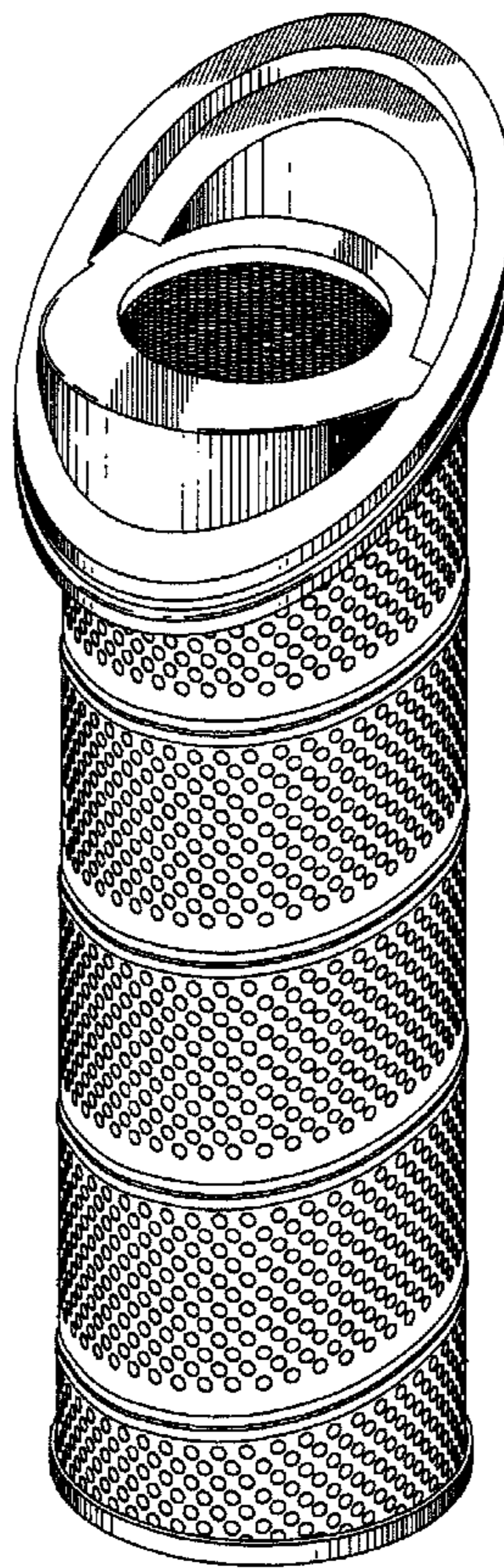
FIG. 4 is a top plan view of the filter element;

FIG. 5 is a bottom plan view of the filter element; and,

FIG. 6 is a perspective view of the filter element.

The broken lines showing are for illustrative purposes and form no part of the present invention.

1 Claim, 5 Drawing Sheets



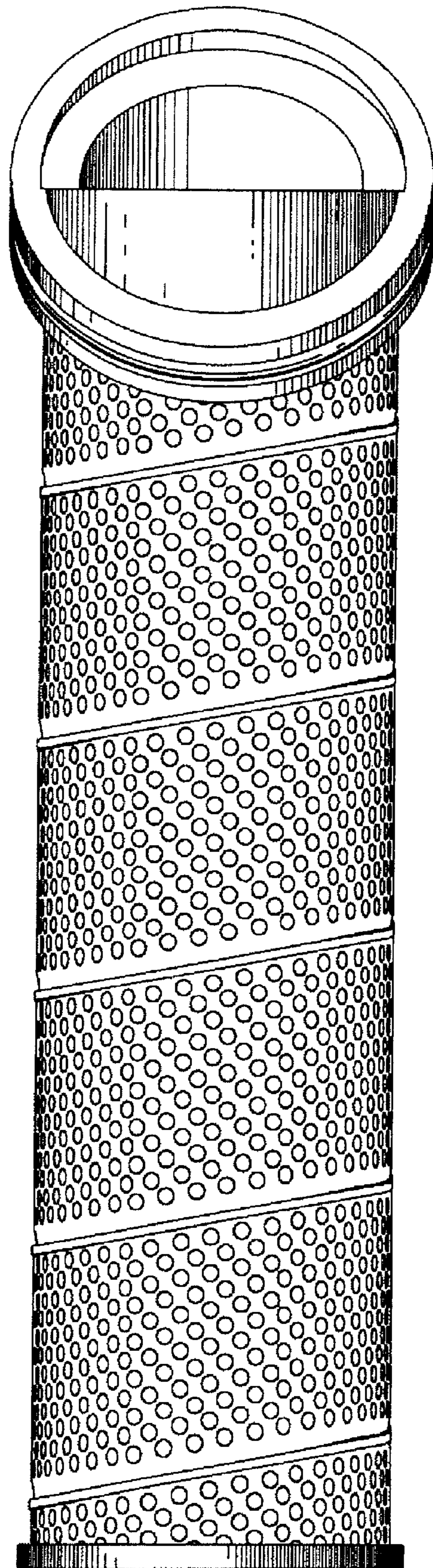


FIG. 1

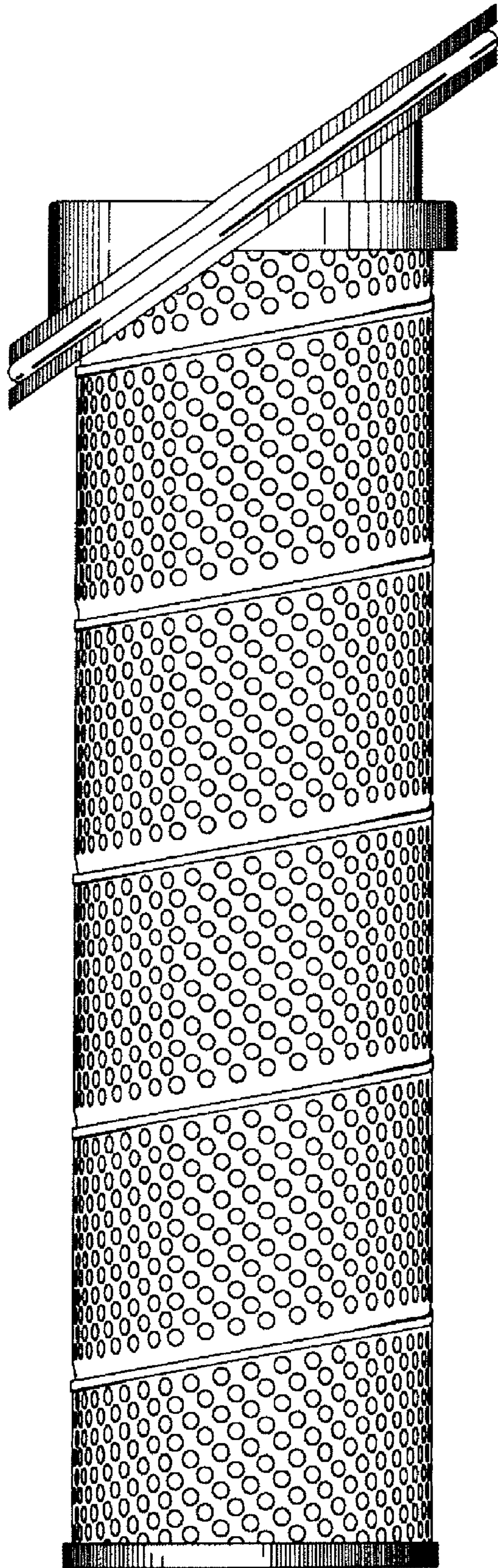


FIG. 2

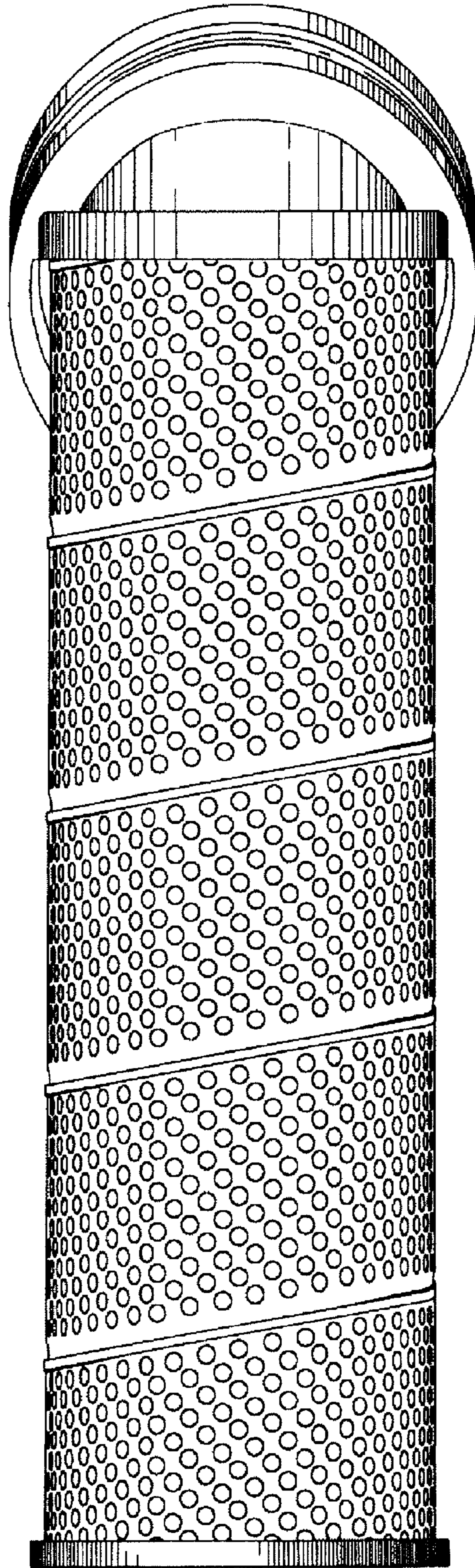


FIG. 3

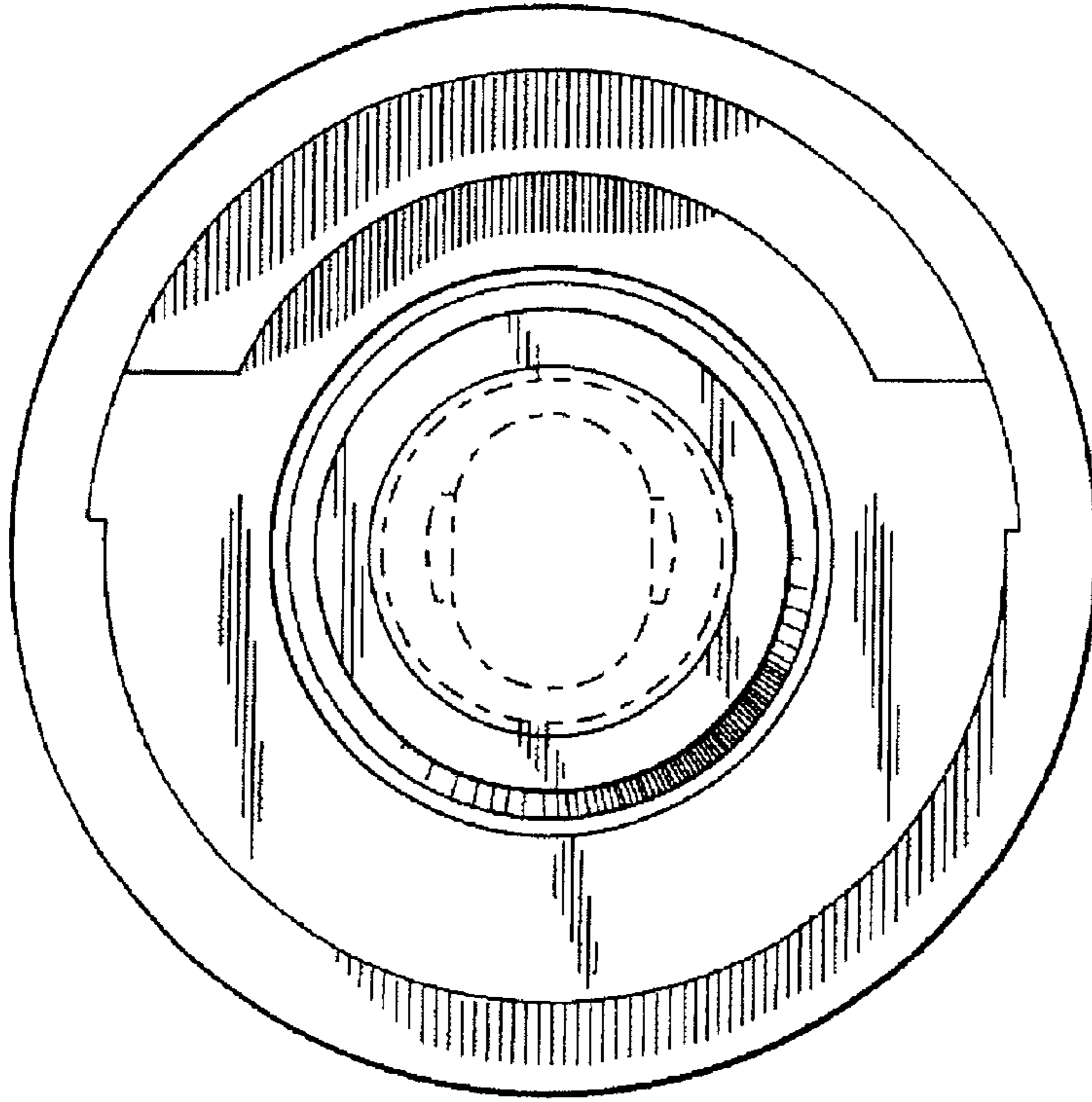


FIG. 4

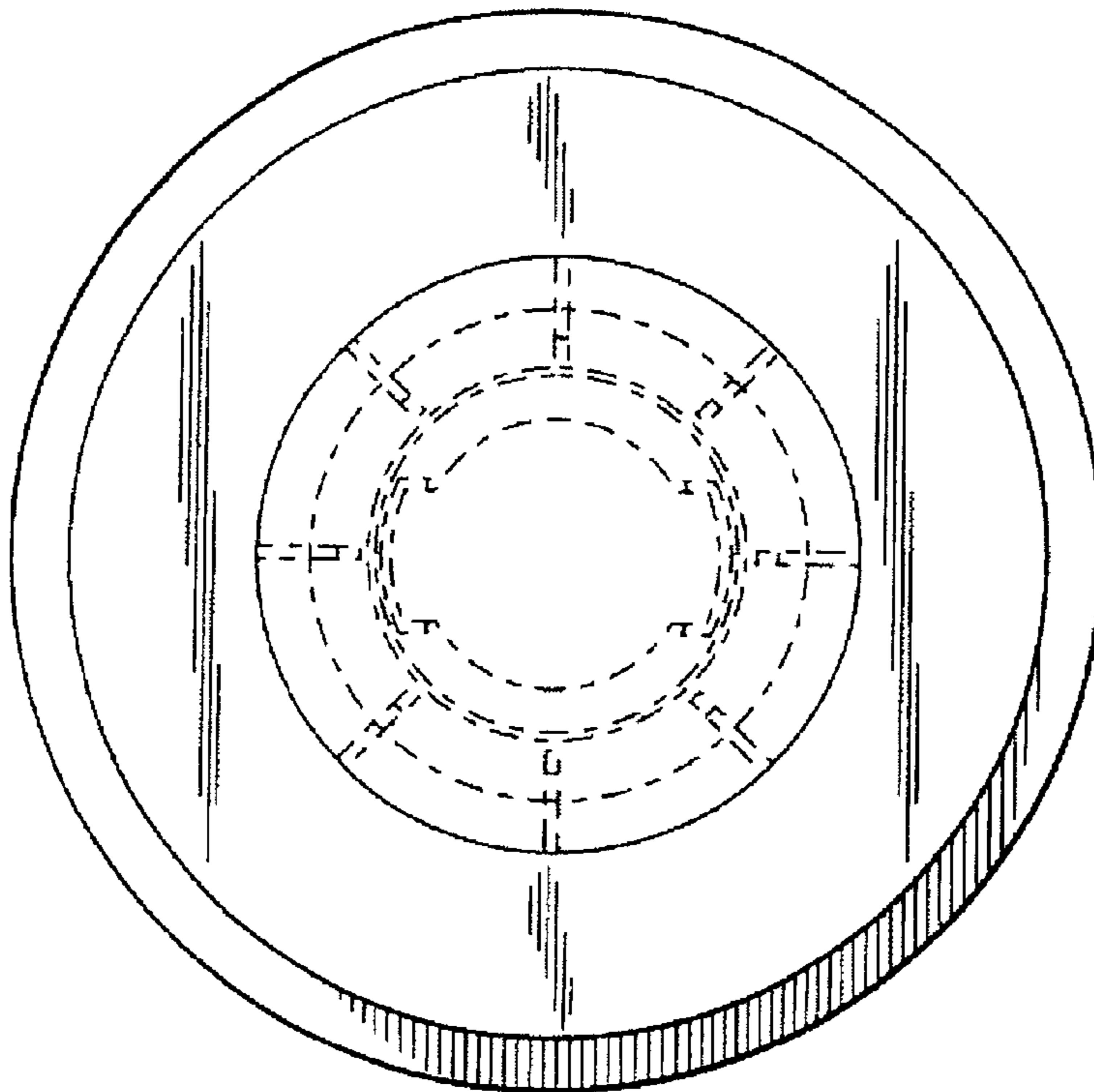


FIG. 5

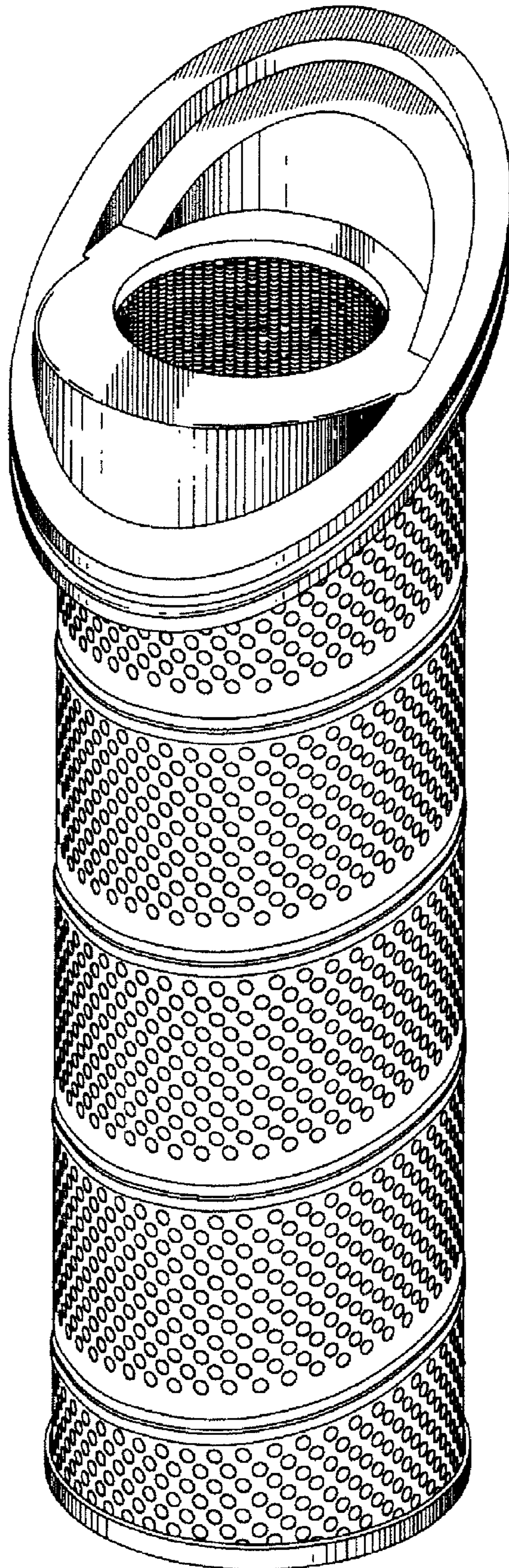


FIG. 6