



US00D537499S

(12) **United States Design Patent**  
**Swan**

(10) **Patent No.:** **US D537,499 S**

(45) **Date of Patent:** **\*\* Feb. 27, 2007**

(54) **LOW PROFILE SCOPE MOUNT**

(76) Inventor: **Richard E. Swan**, 171 West St., East  
Bridgewater, MA (US) 02333

(\*\*) Term: **14 Years**

(21) Appl. No.: **29/246,120**

(22) Filed: **Feb. 21, 2006**

(51) **LOC (8) Cl.** ..... **22-01**

(52) **U.S. Cl.** ..... **D22/110**

(58) **Field of Classification Search** ..... D22/108,  
D22/109, 110; 42/123, 113, 112, 148, 140,  
42/136, 139, 125, 72, 137, 142, 25, 111, 134,  
42/135, 138, 141, 143, 144, 145; 89/161,  
89/41.19, 200-204; 33/227

See application file for complete search history.

(56) **References Cited**

**U.S. PATENT DOCUMENTS**

- 4,044,486 A \* 8/1977 Van Holten ..... 42/127
- 4,383,371 A \* 5/1983 Coffey ..... 42/124
- D291,469 S \* 8/1987 Bechtel ..... D22/110
- 4,845,871 A 7/1989 Swan ..... 42/101
- D322,834 S \* 12/1991 Lawlor ..... D22/110
- D343,440 S \* 1/1994 Rubin et al. .... D22/110
- 5,276,988 A 1/1994 Swan ..... 42/101

- D348,714 S \* 7/1994 Rubin et al. .... D22/110
- 6,886,288 B1 \* 5/2005 Yocum et al. .... 42/127

\* cited by examiner

*Primary Examiner*—Alan P. Douglas

*Assistant Examiner*—Melanie Levy

(74) *Attorney, Agent, or Firm*—Barlow, Josephs & Holmes,  
Ltd.

(57) **CLAIM**

The ornamental design for a low profile scope mount, as  
shown and described.

**DESCRIPTION**

FIG. 1 is a perspective view of the low profile scope mount  
in accordance with the present invention;

FIG. 2 is a top view thereof;

FIG. 3 is a bottom view thereof;

FIG. 4 is a left side view thereof;

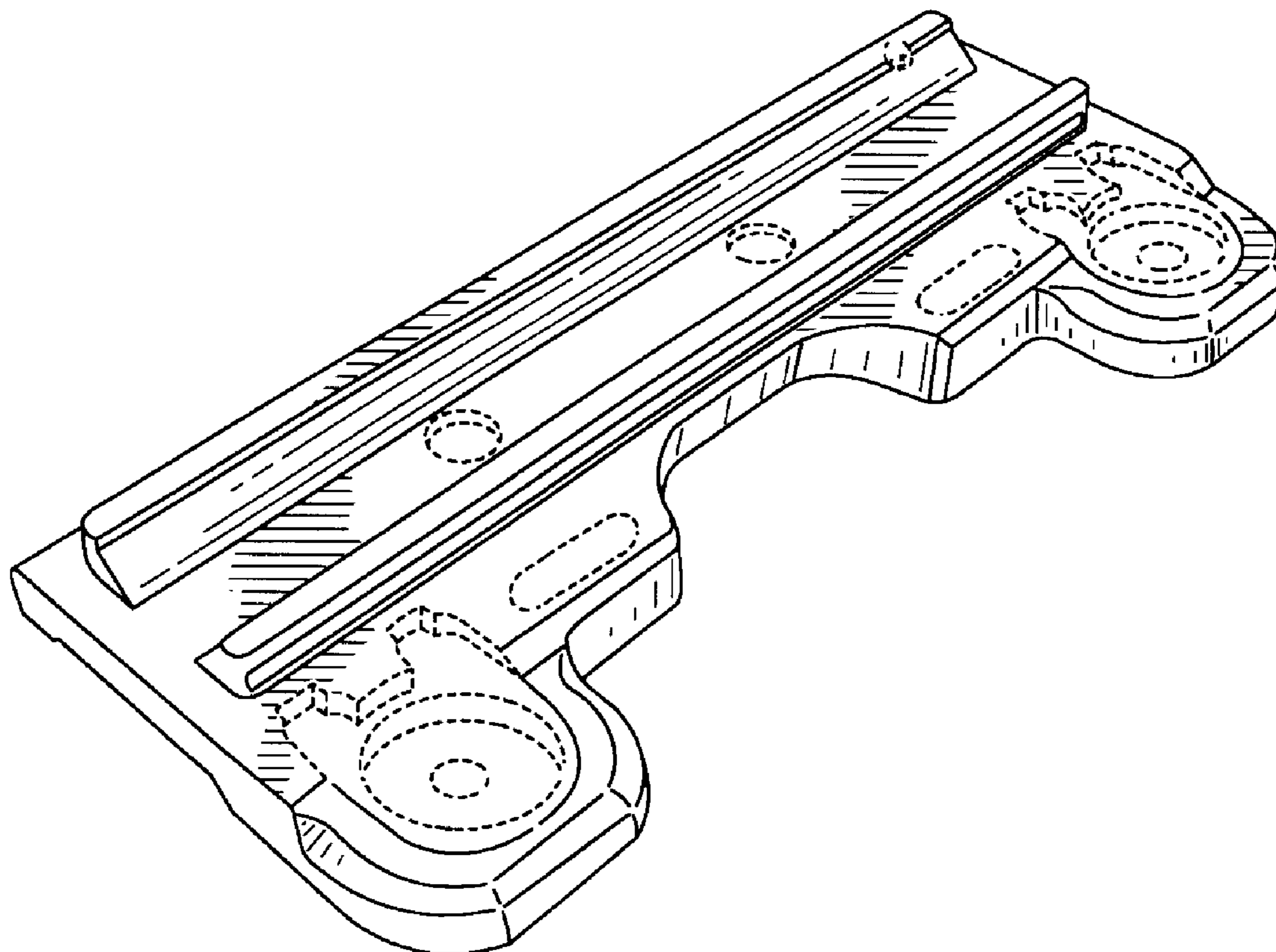
FIG. 5 is a right side view thereof;

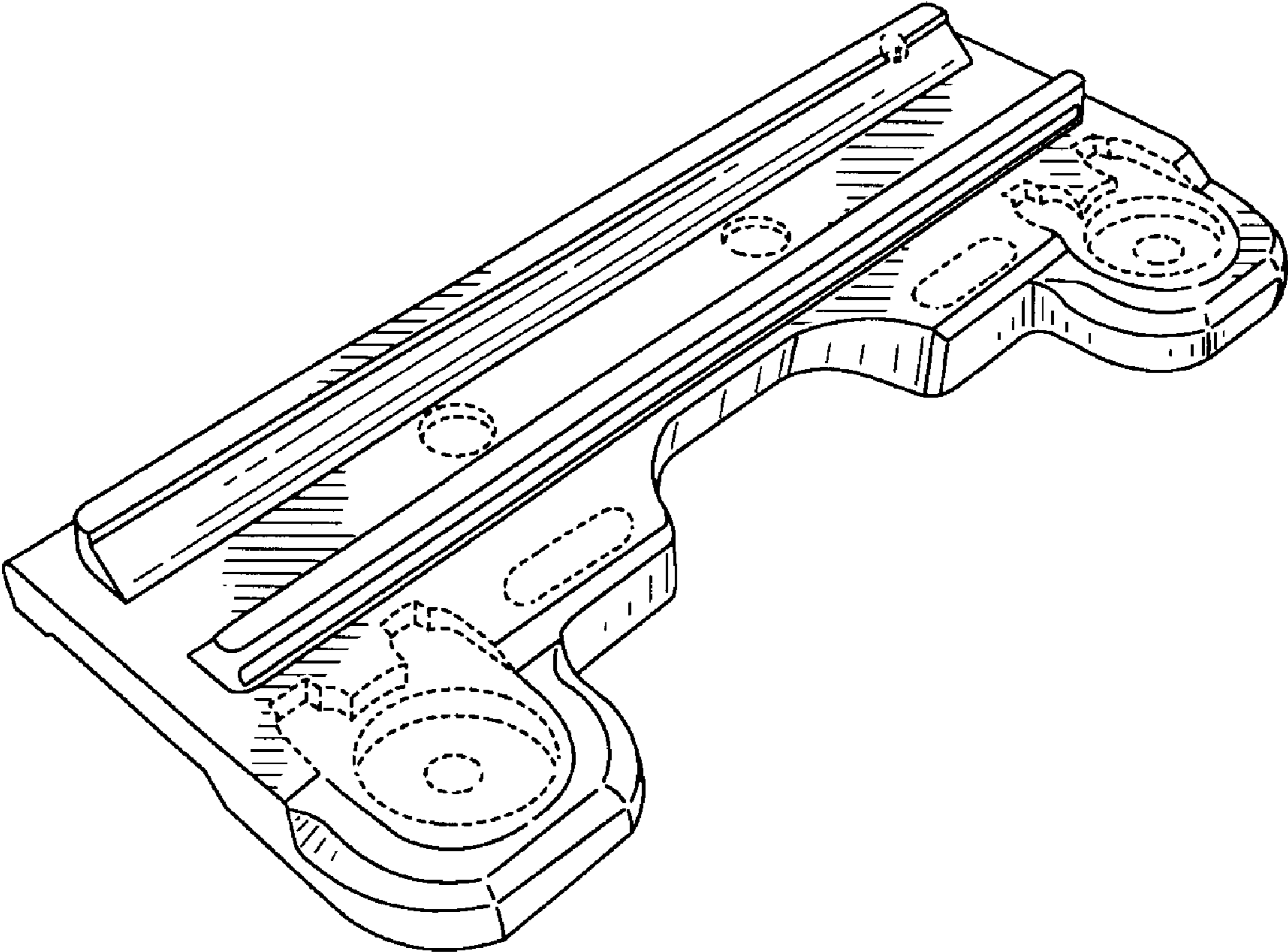
FIG. 6 is a rear view thereof; and,

FIG. 7 is a front view thereof.

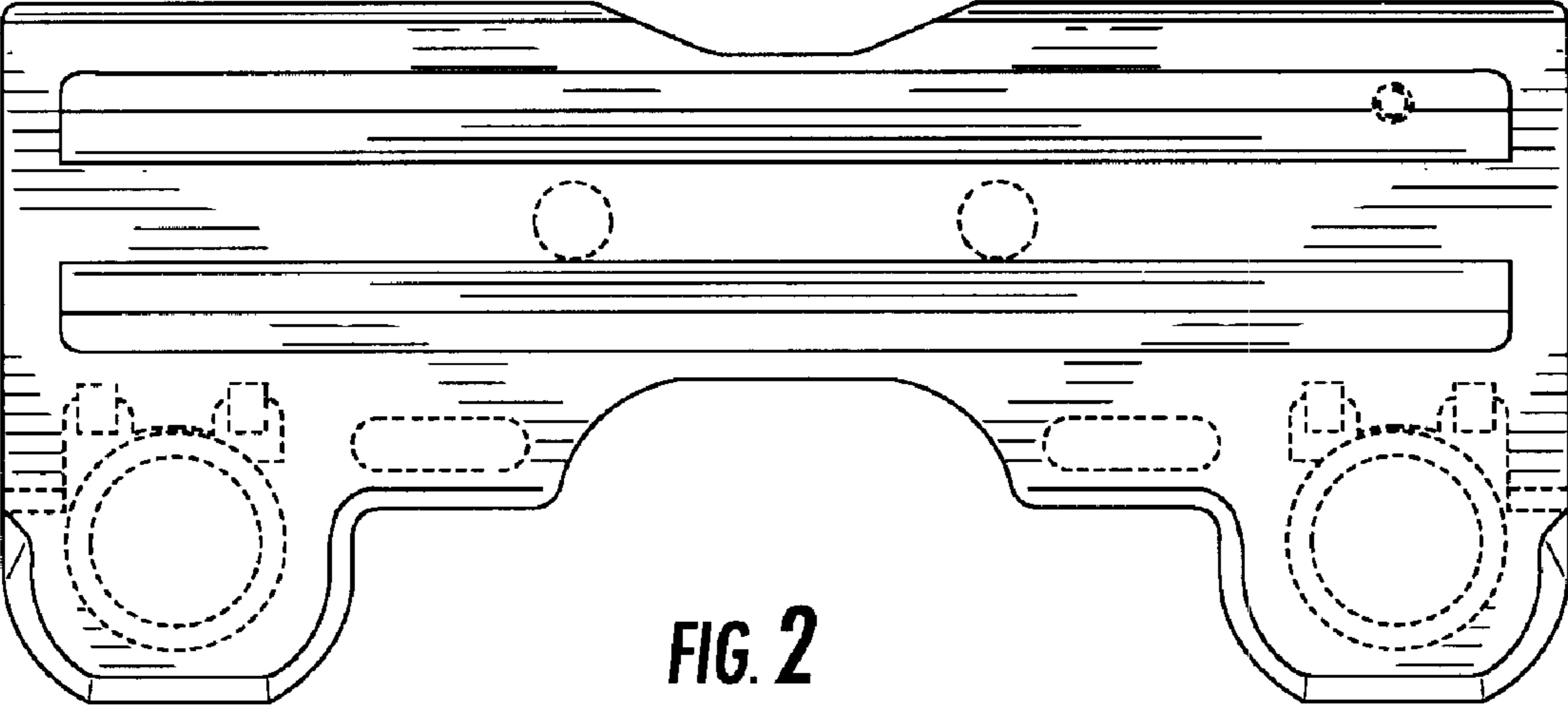
The elements depicted in broken line in the various figures  
are included for environmental purposes only, and form no  
part of the claimed design.

**1 Claim, 4 Drawing Sheets**

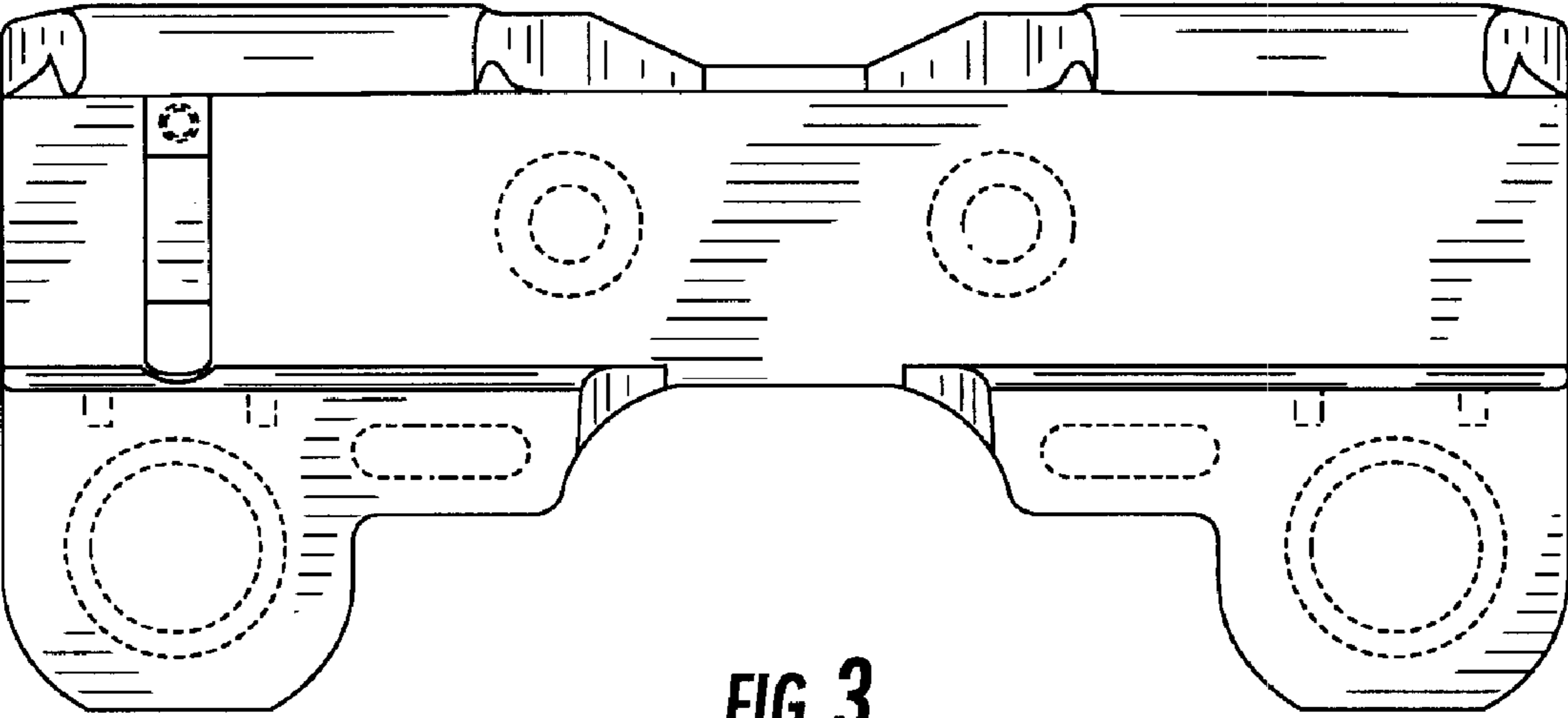




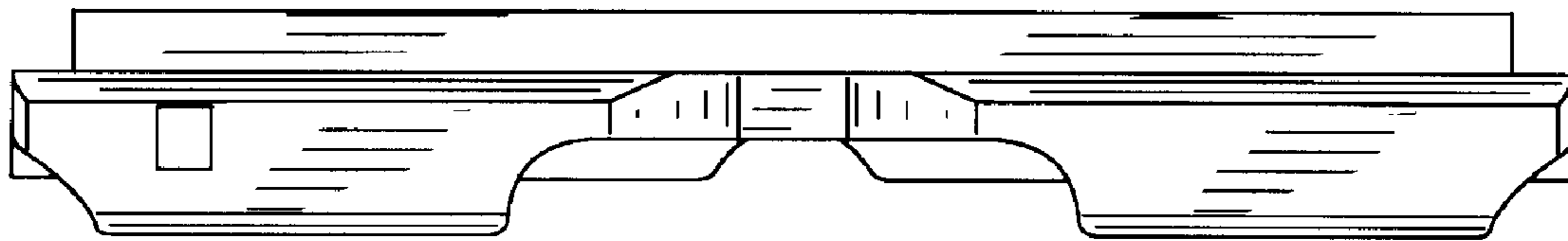
**FIG. 1**



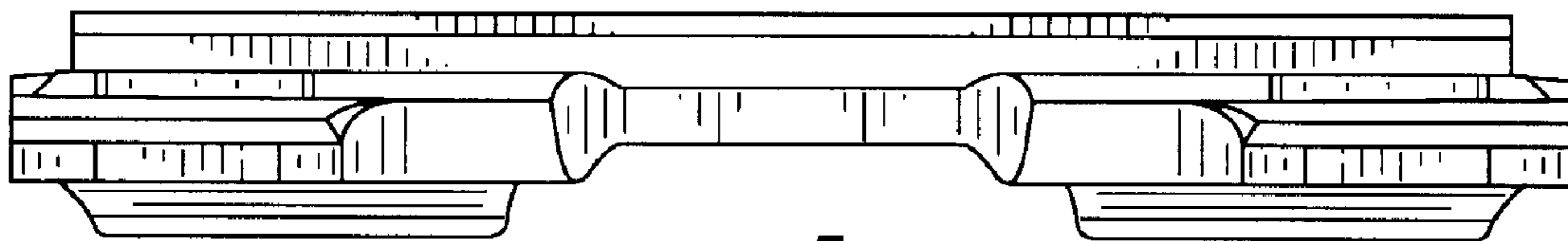
**FIG. 2**



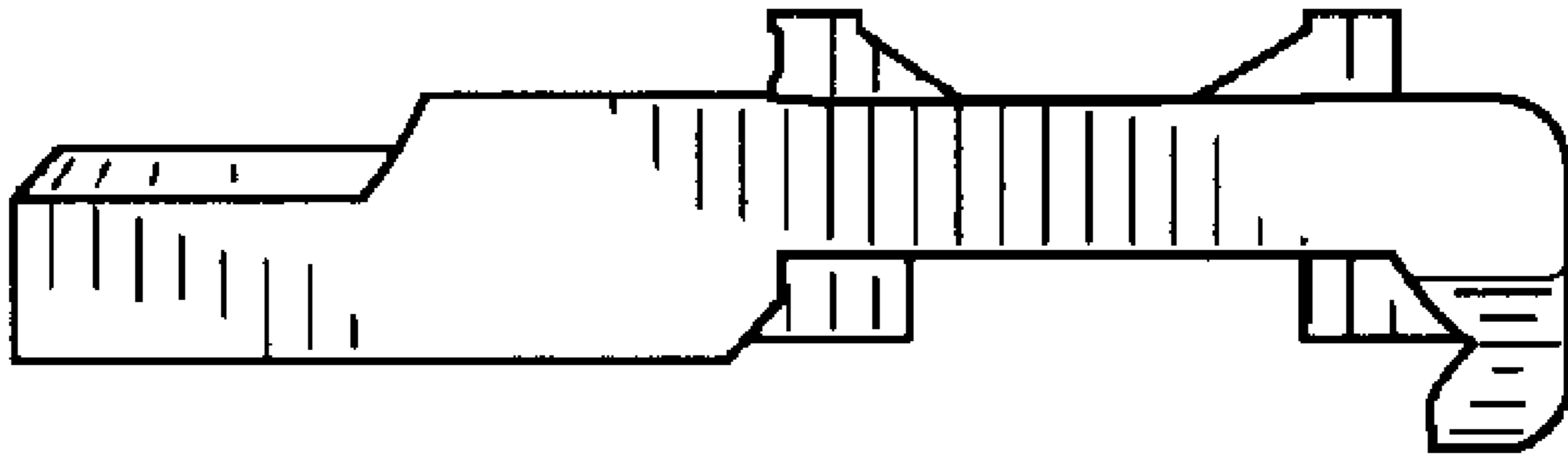
**FIG. 3**



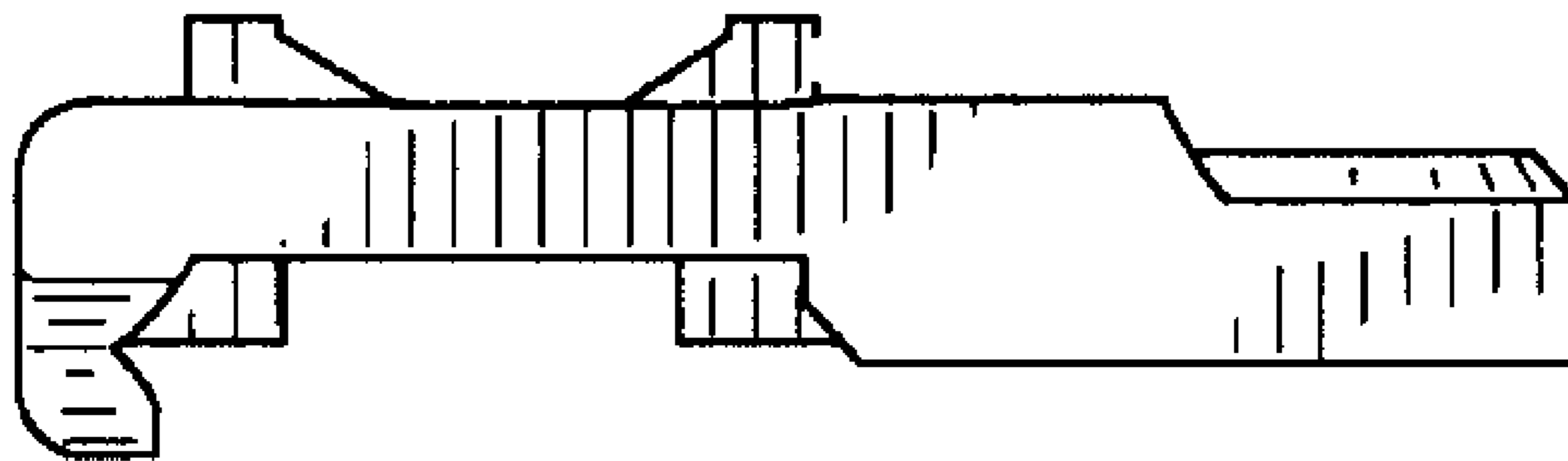
**FIG. 4**



**FIG. 5**



**FIG. 6**



**FIG. 7**