



US00D537493S

(12) **United States Design Patent**
Cameron

(10) **Patent No.:** **US D537,493 S**

(45) **Date of Patent:** **** Feb. 27, 2007**

(54) **PUTTER HEAD**

(75) Inventor: **Don T. Cameron**, Carlsbad, CA (US)

(73) Assignee: **Acushnet Company**, Fairhaven, MA (US)

(**) Term: **14 Years**

(21) Appl. No.: **29/255,986**

(22) Filed: **Mar. 14, 2006**

(51) **LOC (8) Cl.** **21-02**

(52) **U.S. Cl.** **D21/746**

(58) **Field of Classification Search** D21/736-746,
D21/789, 721; 473/324-331, 251-256, 340-341;
194/19.2

See application file for complete search history.

(56) **References Cited**

U.S. PATENT DOCUMENTS

3,374,027 A * 3/1968 Jacobs 294/19.2
D257,872 S * 1/1981 MacDougall D21/744
D257,873 S * 1/1981 MacDougall D21/745
D356,356 S * 3/1995 Jacobs D21/744

D368,752 S * 4/1996 Patten D21/745
D434,094 S * 11/2000 Miyashita D21/744
D514,181 S * 1/2006 Cameron D21/738

* cited by examiner

Primary Examiner—Mitchell Siegel

(57) **CLAIM**

The ornamental design for a putter head, as shown and described.

DESCRIPTION

FIG. 1 is a top perspective view of my new design for a putter head.

FIG. 2 is a back view thereof;

FIG. 3 is a top view thereof;

FIG. 4 is a toe side view thereof;

FIG. 5 is a front view thereof;

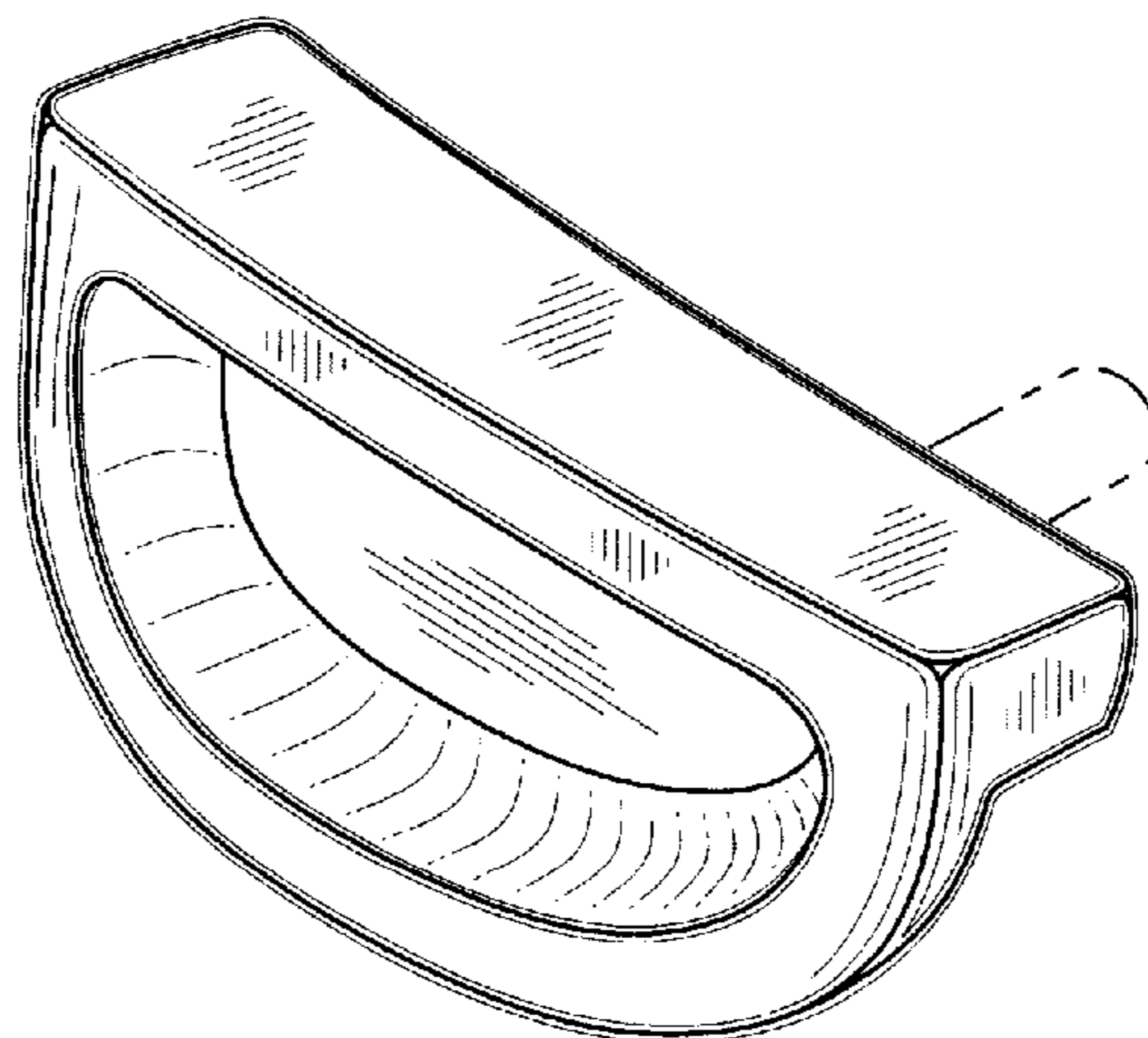
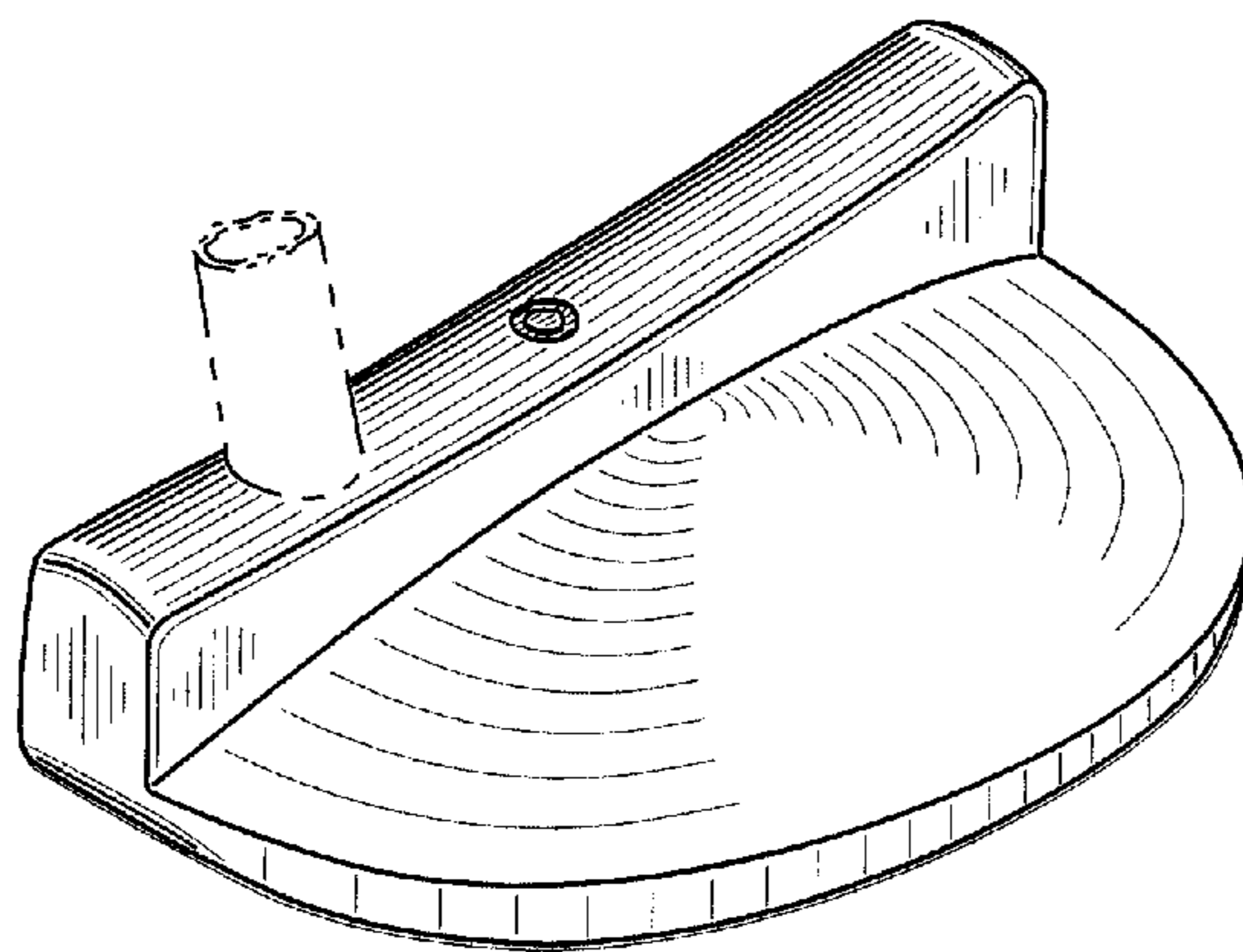
FIG. 6 is a heel side view thereof;

FIG. 7 is a bottom view thereof; and,

FIG. 8 is a bottom perspective view thereof.

The portion of a shaft shown in phantom does not form any part of the claimed design.

1 Claim, 2 Drawing Sheets



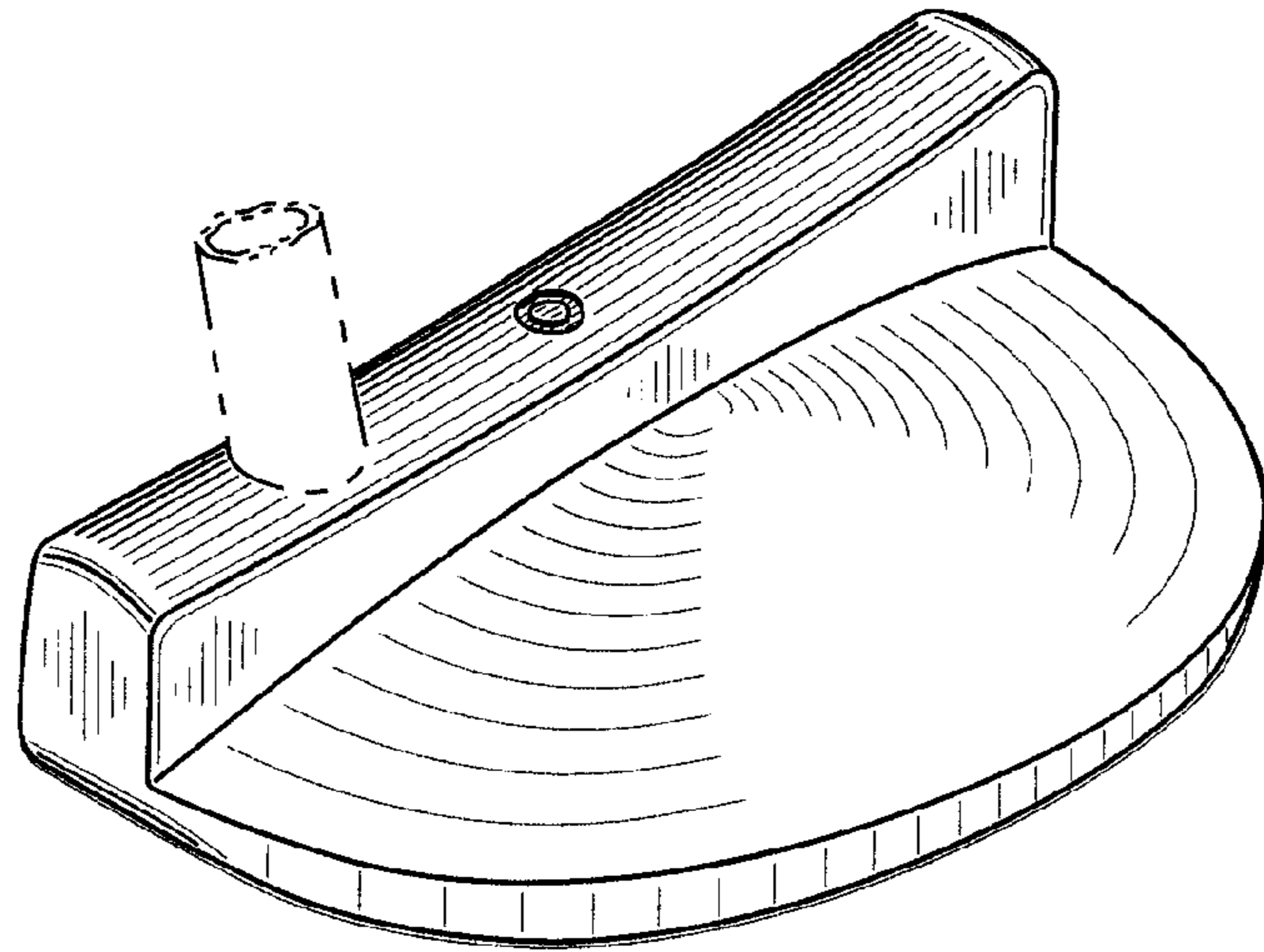


FIG. 1

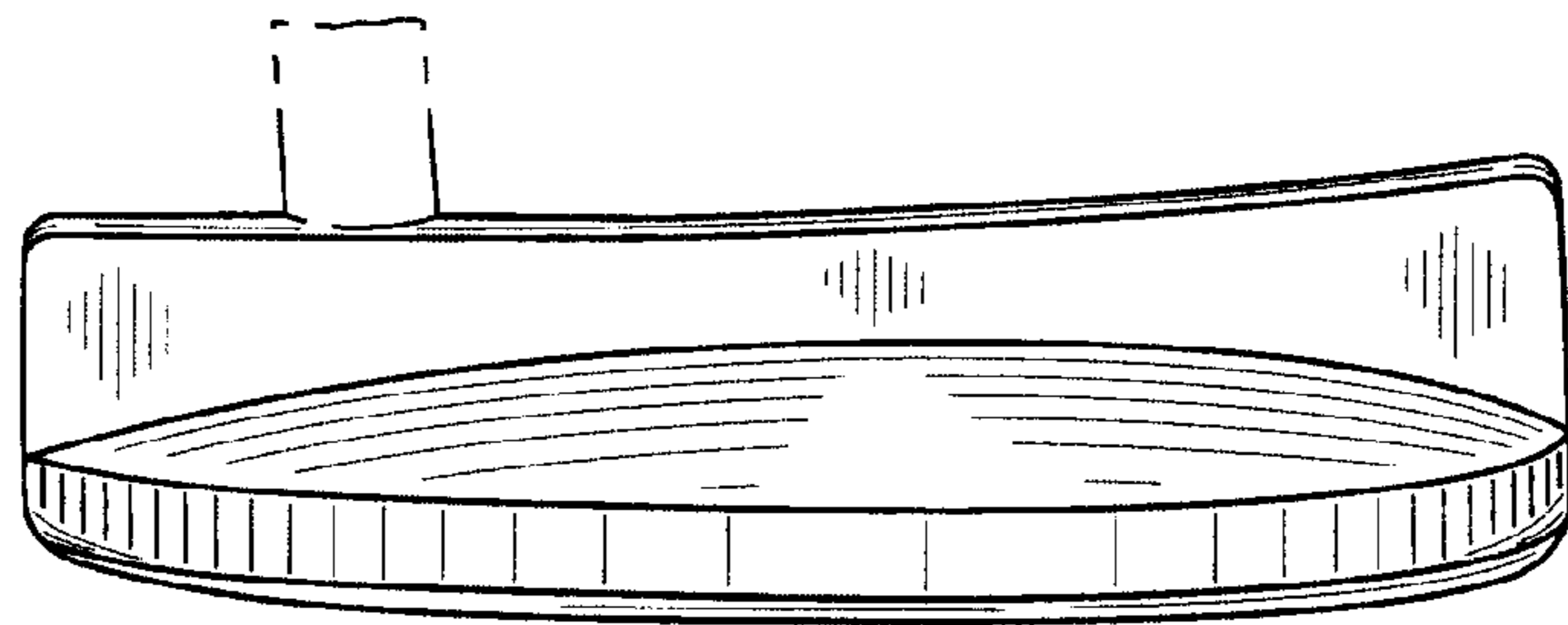


FIG. 2

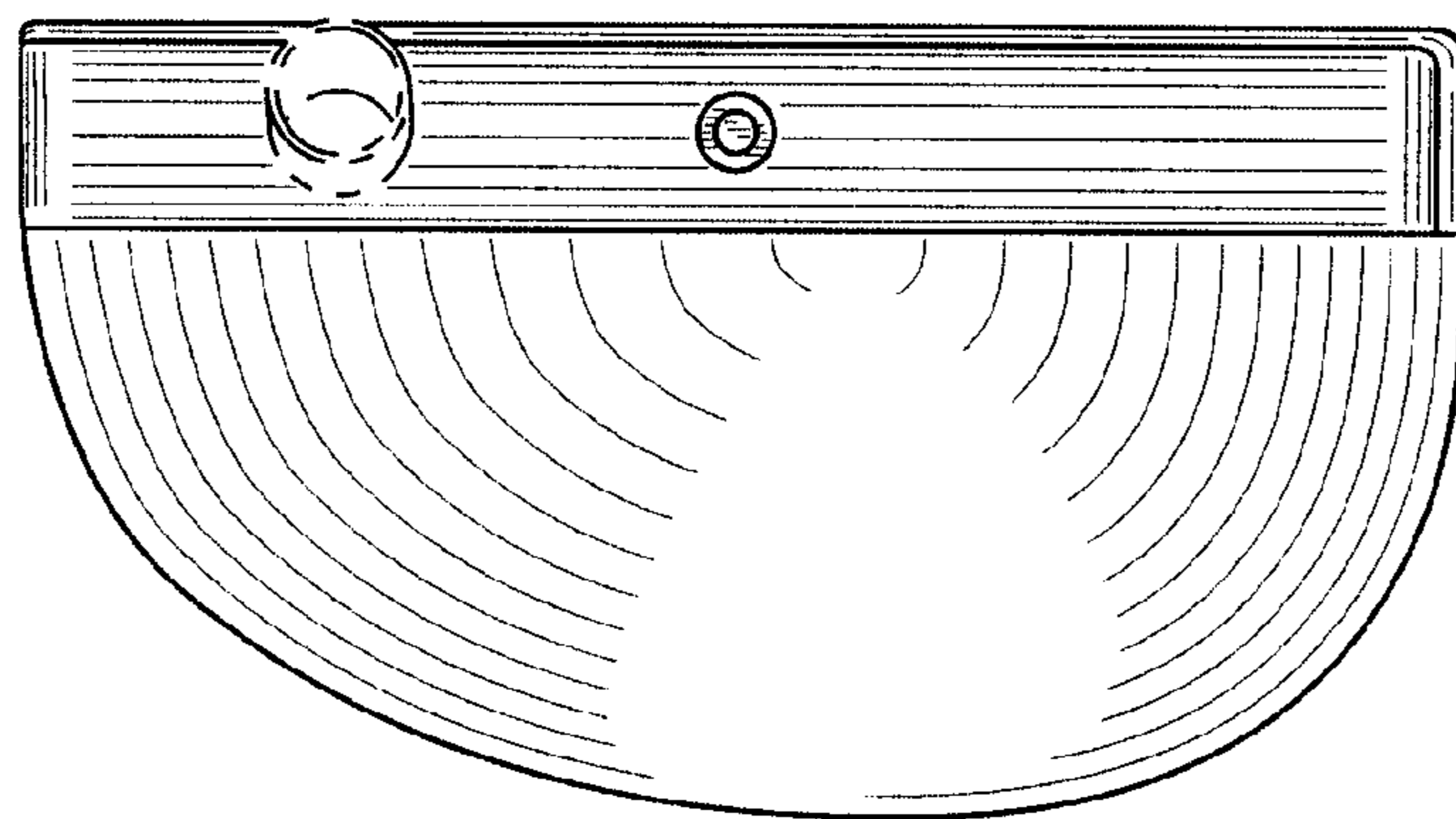


FIG. 3

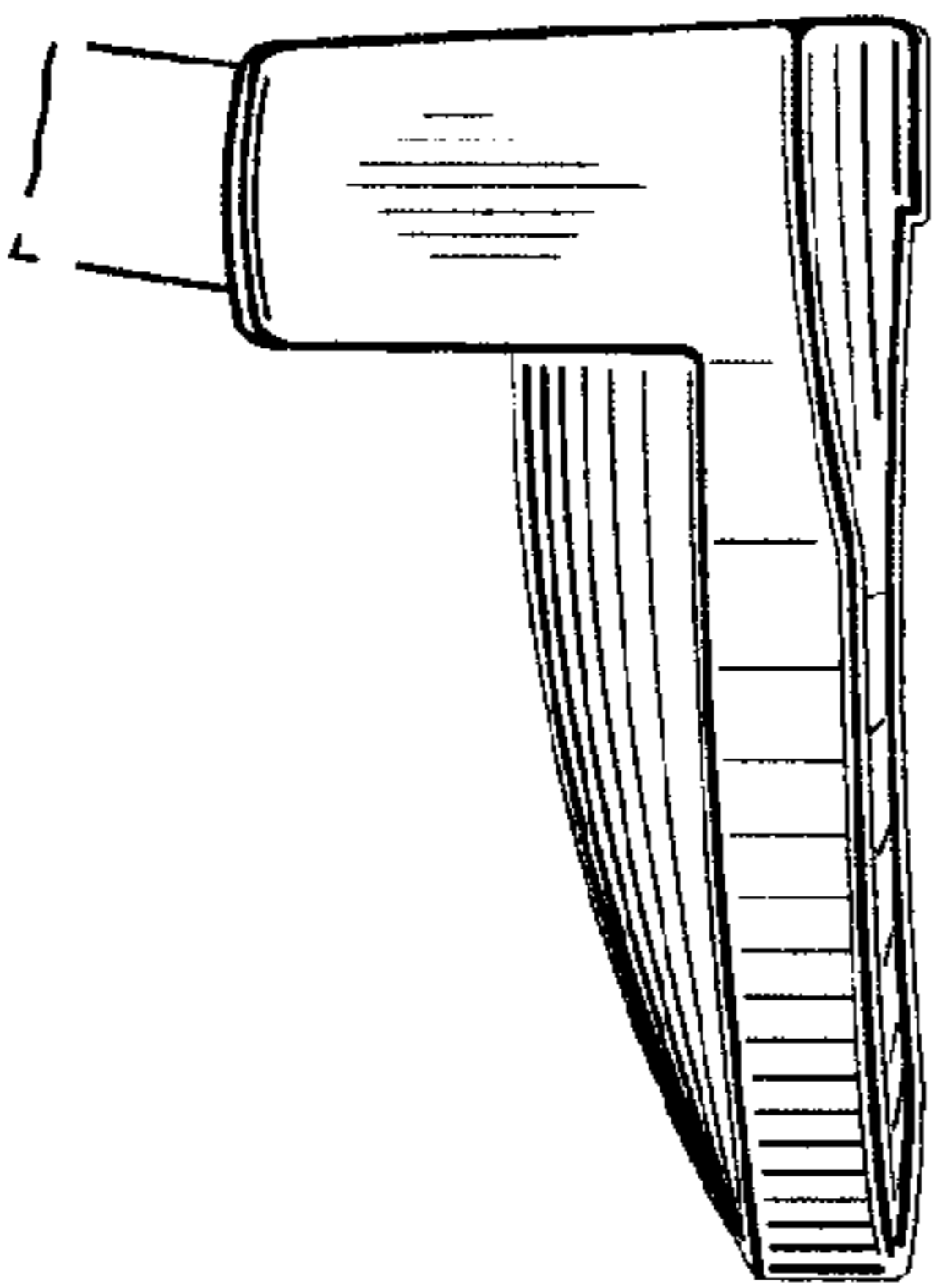


FIG. 4

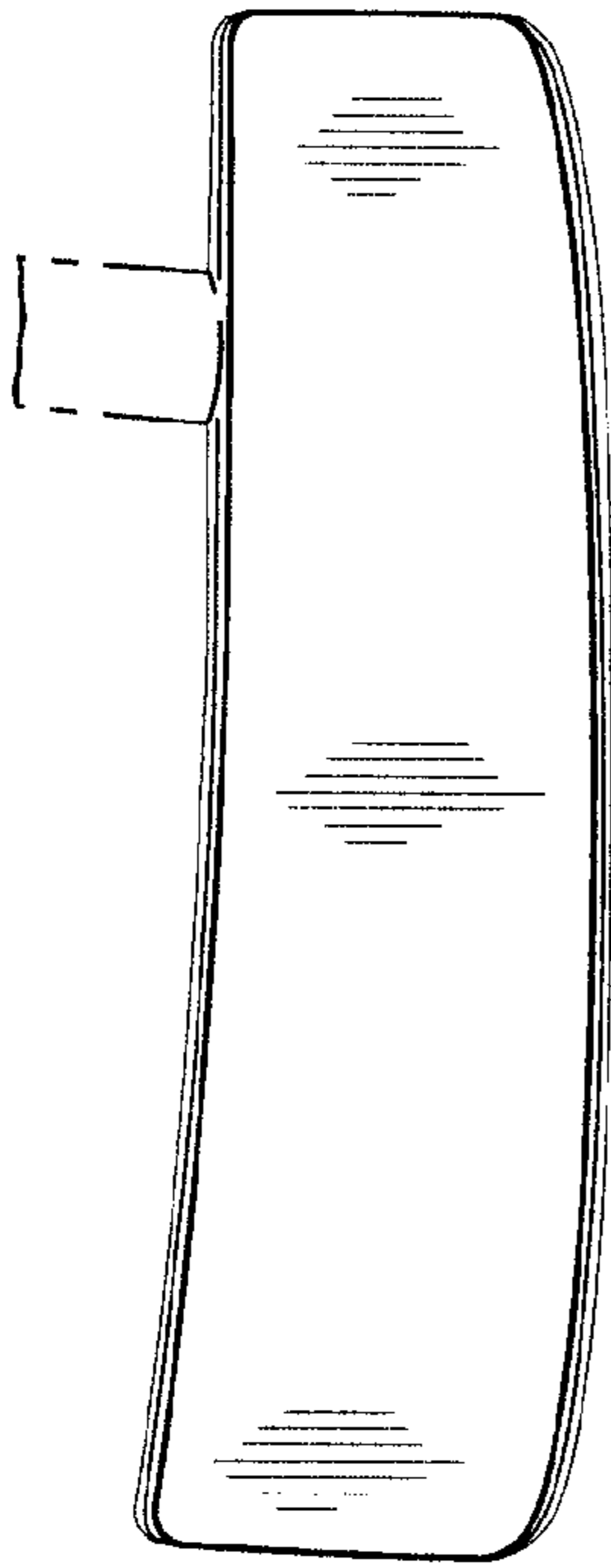


FIG. 5

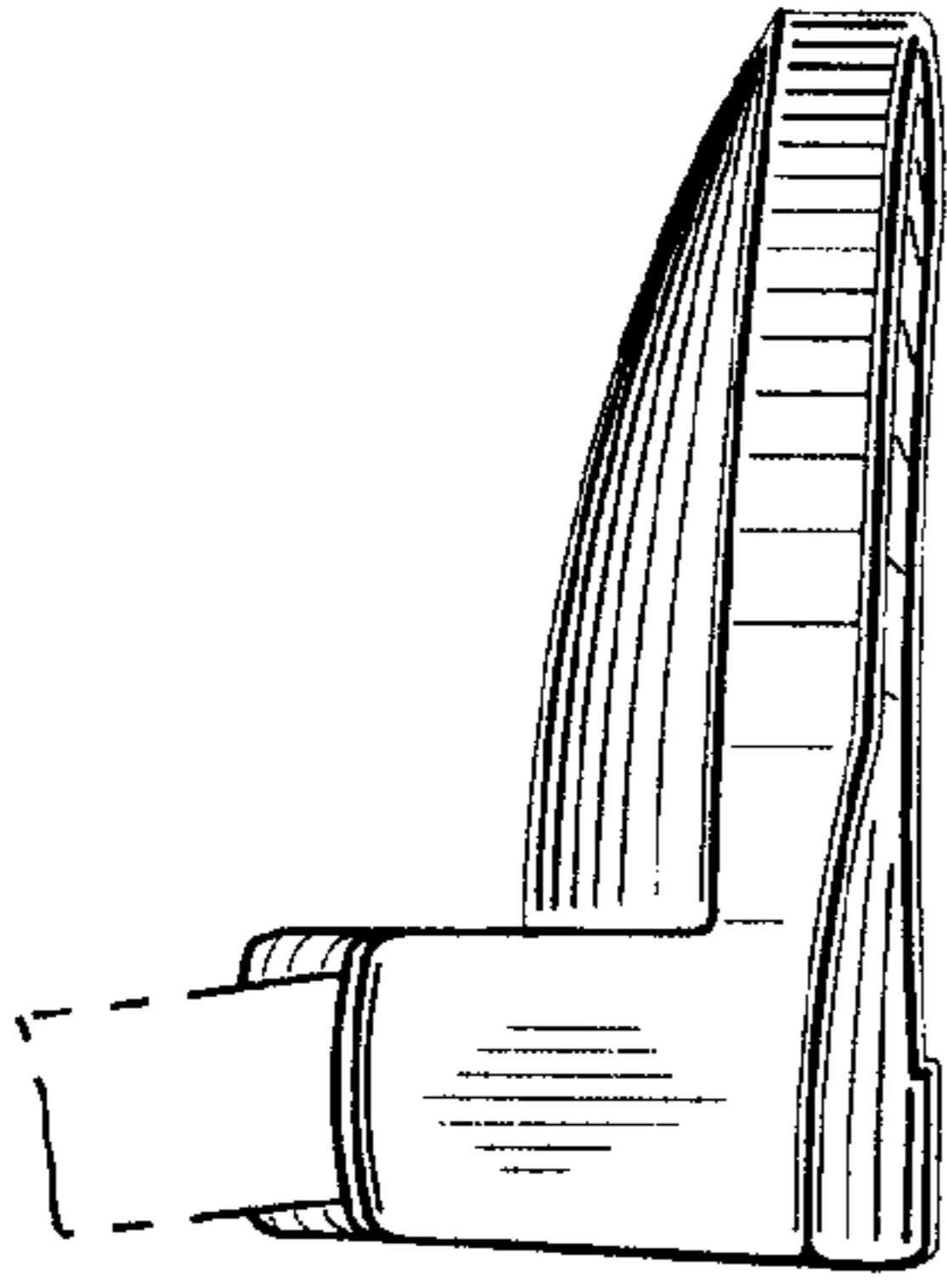


FIG. 6

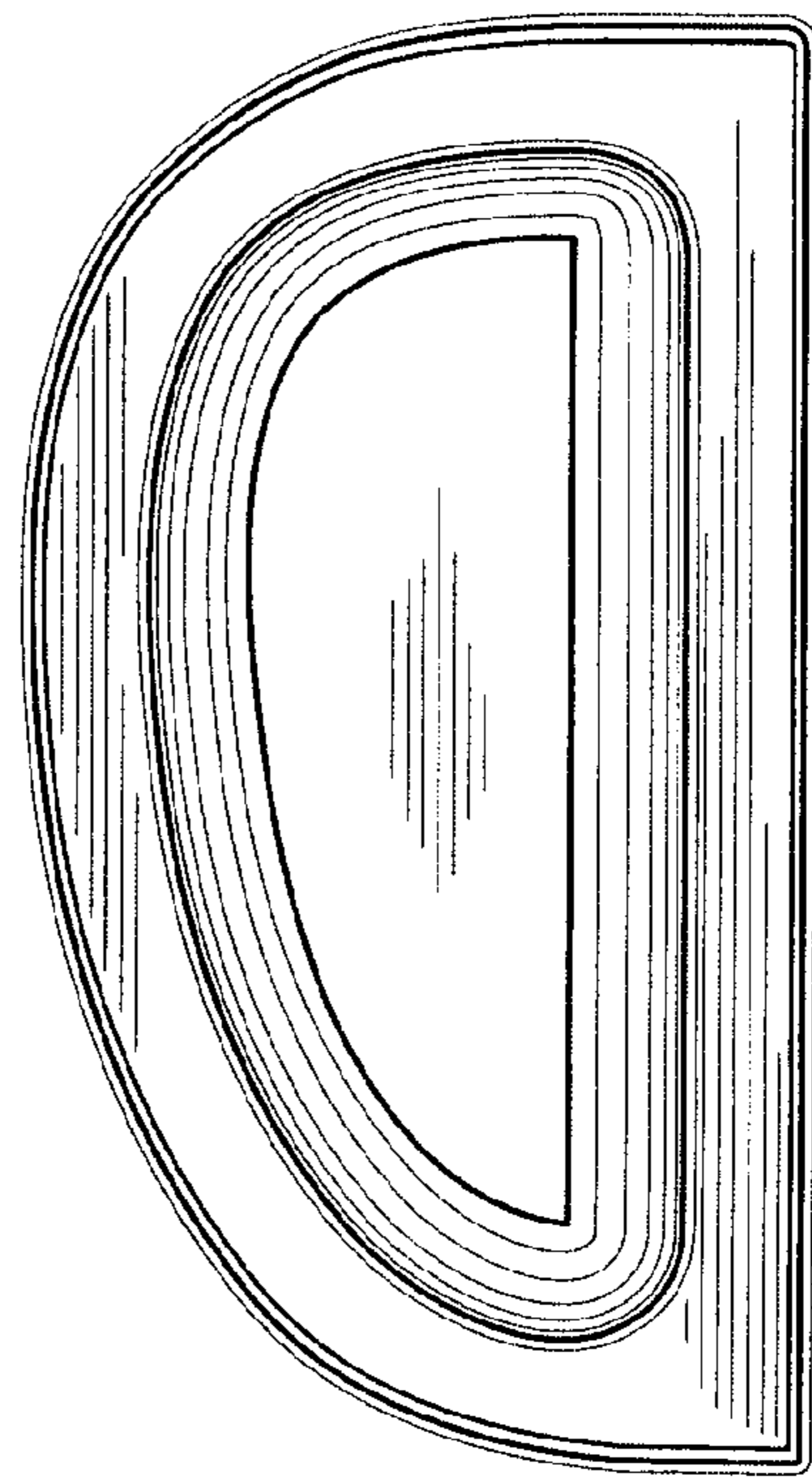


FIG. 7

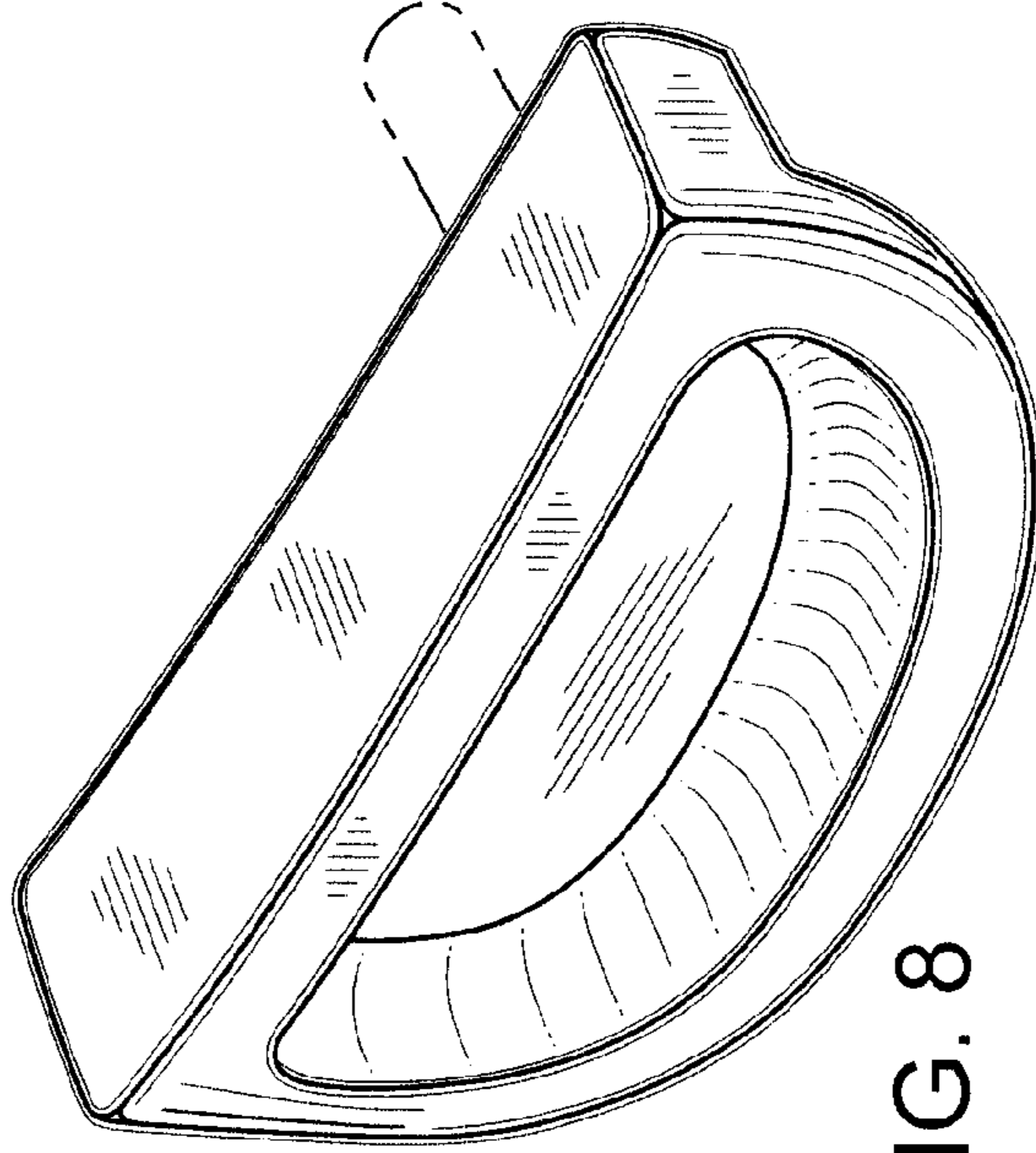


FIG. 8