



US00D537490S

(12) **United States Design Patent** (10) **Patent No.:** **US D537,490 S**  
**McAllister et al.** (45) **Date of Patent:** **\*\* Feb. 27, 2007**

(54) **ADJUSTABLE HEIGHT BASKETBALL HOOP**

(75) Inventors: **Kevin McAllister**, American Fork, UT (US); **Bryce Doman**, Alpine, UT (US)

(73) Assignee: **Rainbow Play Systems, Inc.**, Brookings, SD (US)

(\*\*) Term: **14 Years**

(21) Appl. No.: **29/220,660**

(22) Filed: **Jan. 3, 2005**

**Related U.S. Application Data**

(63) Continuation of application No. 10/349,497, filed on Jan. 21, 2003, now Pat. No. 6,837,810.

(51) **LOC (8) Cl.** ..... **21-02**

(52) **U.S. Cl.** ..... **D21/702**

(58) **Field of Classification Search** ..... D21/302, D21/303, 305, 699, 701-705, 719, 781; D8/355, D8/366; D6/399, 400, 429, 449, 495, 496; D14/452; D24/158-160, 177-179, 182-185, D24/234; D25/126, 127, 133, 134; D26/61-66, D26/145; 473/476-489; 248/281.11  
See application file for complete search history.

(56) **References Cited**

**U.S. PATENT DOCUMENTS**

- D195,773 S \* 7/1963 Tumer ..... D24/177
- D211,600 S \* 7/1968 Daito ..... D26/65
- D222,234 S \* 10/1971 Imber ..... D8/355
- D229,430 S \* 11/1973 Fortin ..... D21/702
- 4,412,679 A 11/1983 Mahoney et al.
- 4,684,129 A 8/1987 Andersen et al.
- 4,801,142 A 1/1989 Friesen
- 4,881,734 A 11/1989 Nye
- 4,951,944 A 8/1990 Morgan
- 5,100,132 A \* 3/1992 Anderson et al. .... 473/481
- 5,133,547 A 7/1992 Pardi
- 5,156,395 A \* 10/1992 Smith ..... 473/483
- 5,316,290 A \* 5/1994 Parr et al. .... 473/483
- 5,388,821 A 2/1995 Blackburn
- 5,465,957 A 11/1995 Schroeder

- 5,478,068 A 12/1995 Schroeder
- 5,540,429 A 7/1996 Dalebout et al.
- 5,547,185 A 8/1996 Wagner et al.
- 5,571,229 A 11/1996 Fitzsimmons et al.
- 5,601,284 A 2/1997 Blackwell et al.
- 5,720,679 A 2/1998 Schroeder
- 5,738,601 A \* 4/1998 Hughes ..... 473/484
- 5,752,349 A 5/1998 Fitzsimmons et al.
- 5,913,778 A 6/1999 Hying et al.
- 5,984,811 A 11/1999 Taylor
- 6,019,690 A \* 2/2000 Parr et al. .... 473/481
- 6,041,559 A 3/2000 Schickert et al.
- 6,135,901 A 10/2000 van Nimwegen
- 6,155,938 A 12/2000 Mower
- 6,273,834 B1 8/2001 Winter
- 6,286,794 B1 \* 9/2001 Harbin ..... 248/123.2
- 6,302,811 B1 10/2001 Topham
- 6,402,644 B2 6/2002 Stanford et al.
- 6,488,599 B2 12/2002 Nye

**OTHER PUBLICATIONS**

GLS Greg Larson Sports 2002 Full Line Catalog, p. 80: portable basketball goals on right side of page.\*

\* cited by examiner

*Primary Examiner*—Catherine Tuttle

(74) *Attorney, Agent, or Firm*—Thorpe North & Western LLP

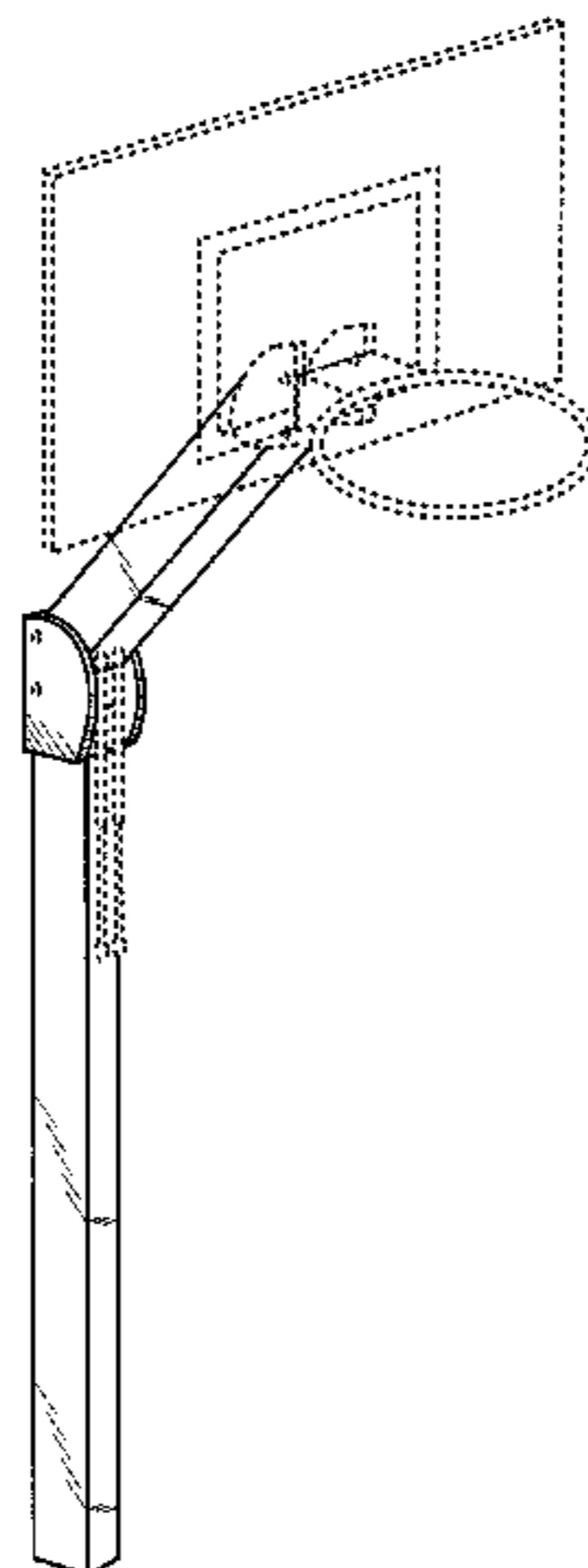
(57) **CLAIM**

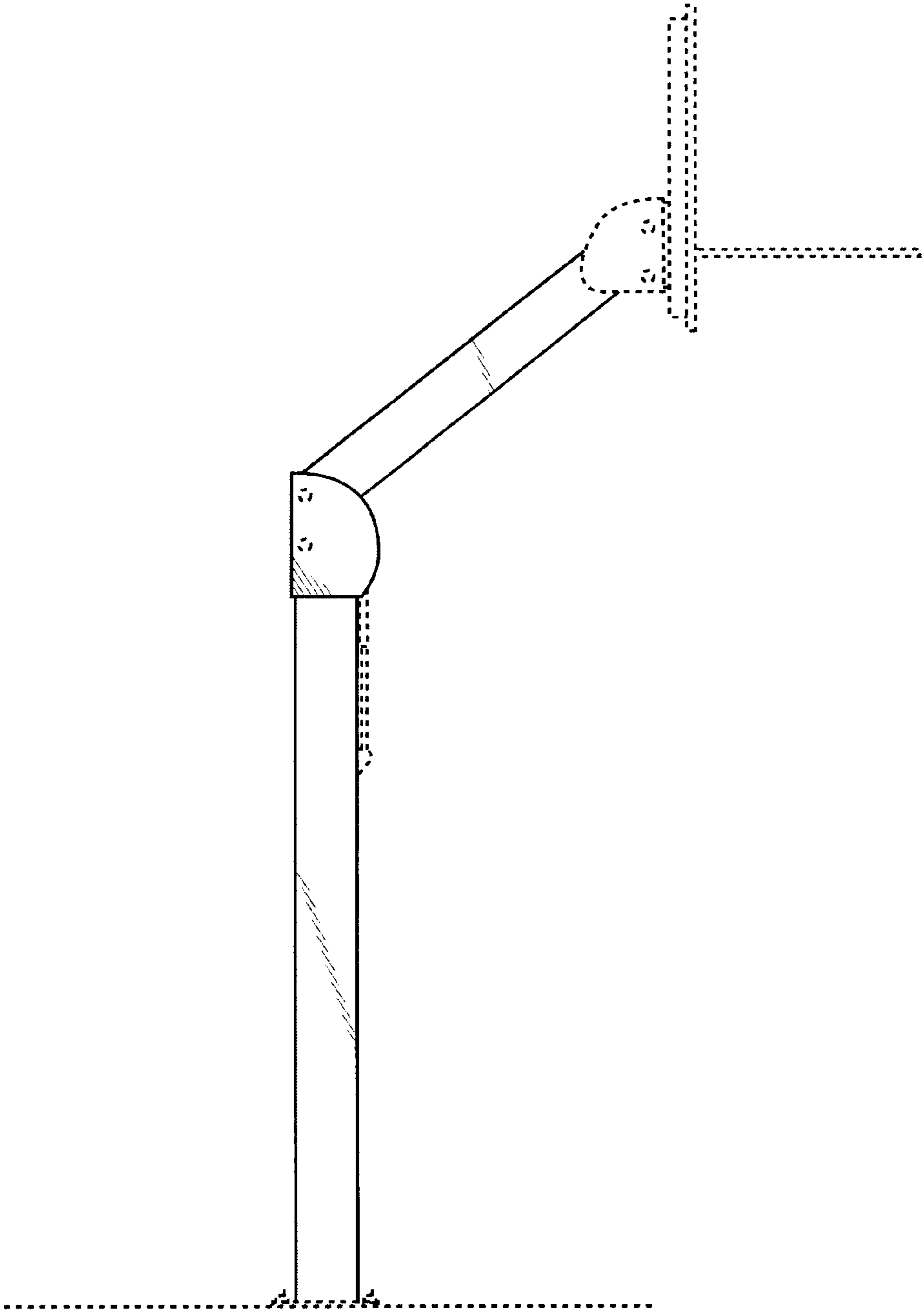
What is claimed is the ornamental design for an adustable height basketball hoop, as shown and described herein.

**DESCRIPTION**

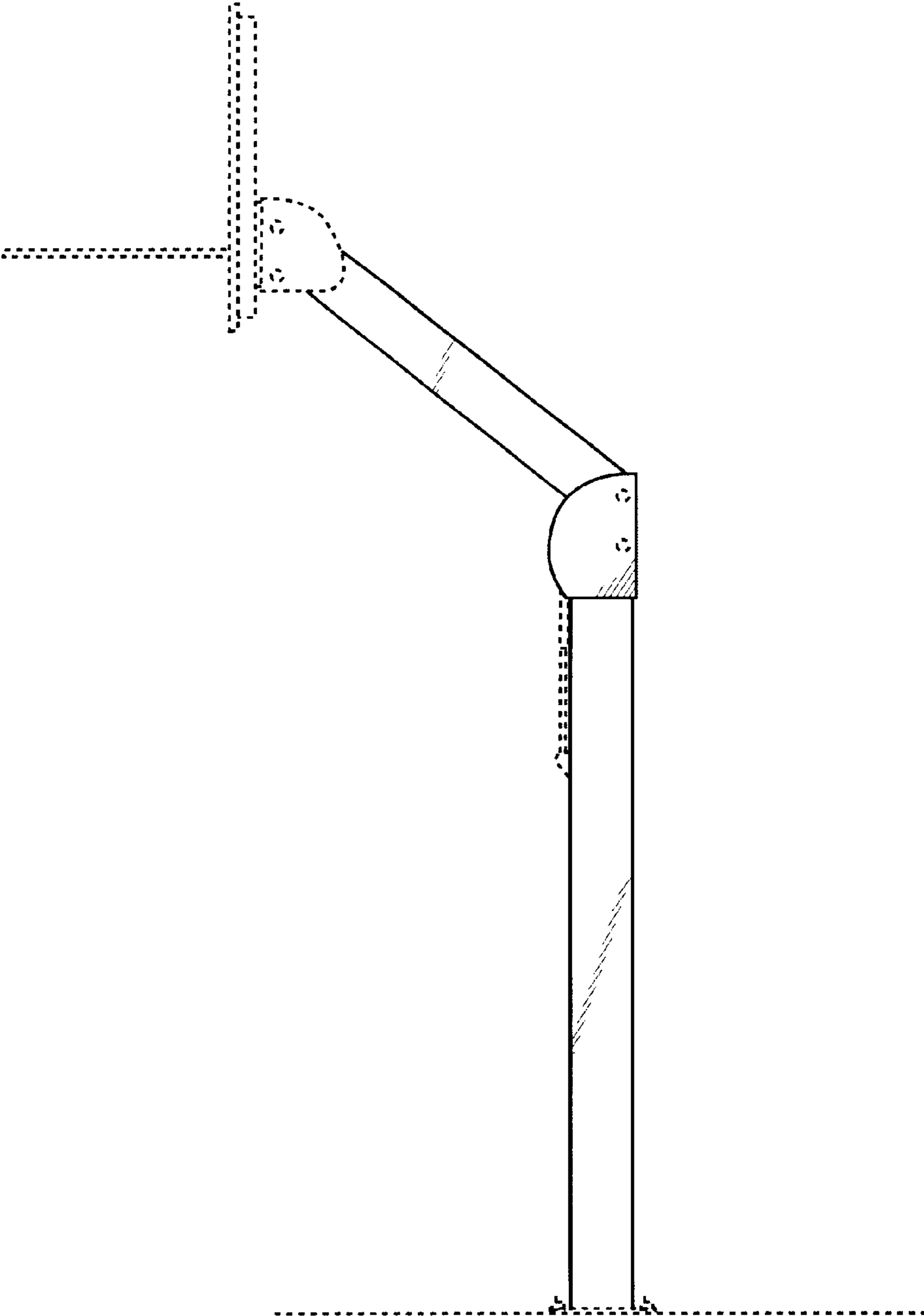
FIG. 1 is a left side view of the invention; FIG. 2 is a right side view thereof; FIG. 3 is a front view thereof; FIG. 4 is a rear view thereof; FIG. 5 is a top view thereof; FIG. 6 is a bottom view thereof; and, FIG. 7 is a perspective view thereof. The phantom or broken line showing is for illustrative purposes only and forms no part of the claimed design.

**1 Claim, 7 Drawing Sheets**

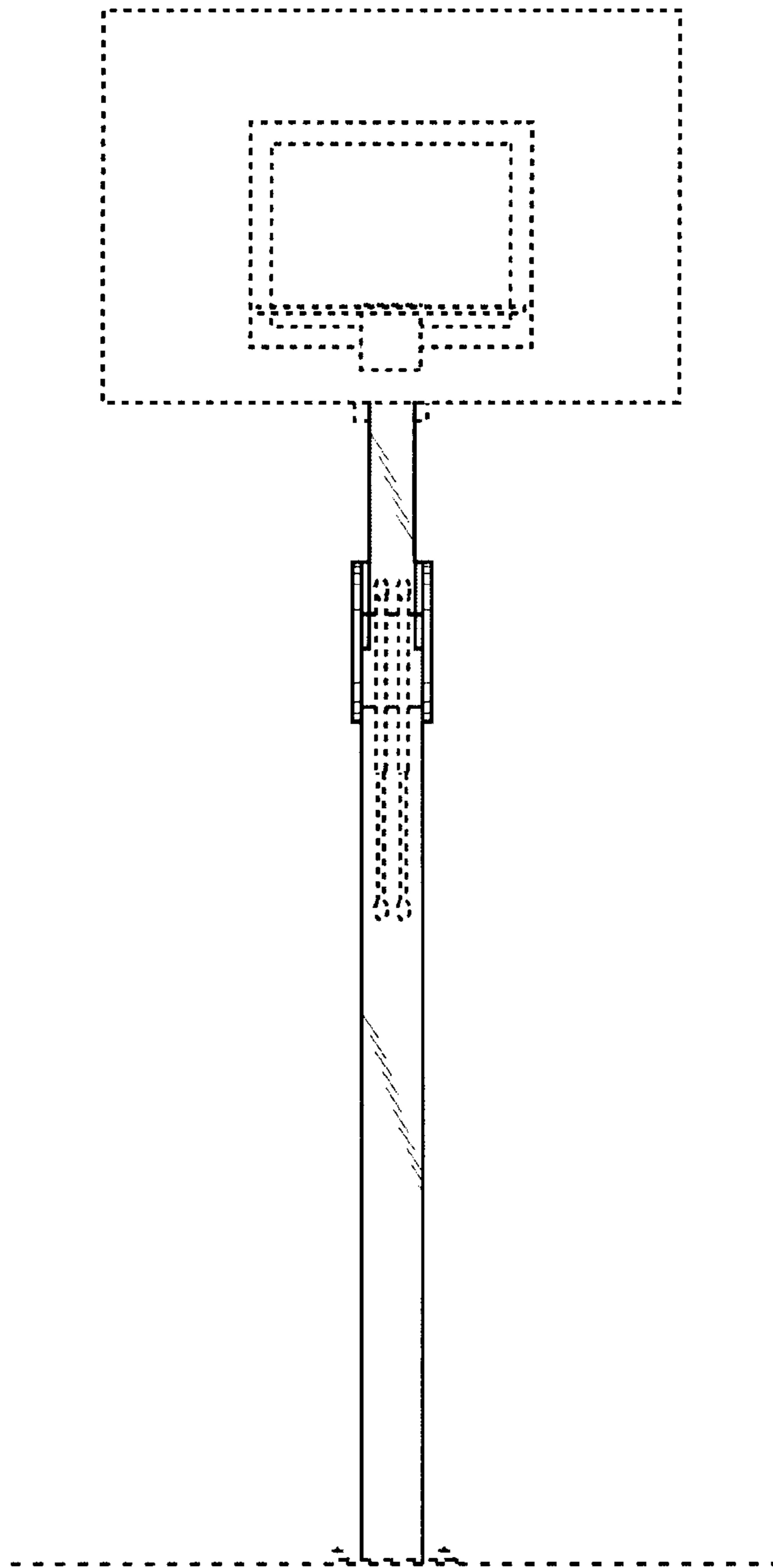




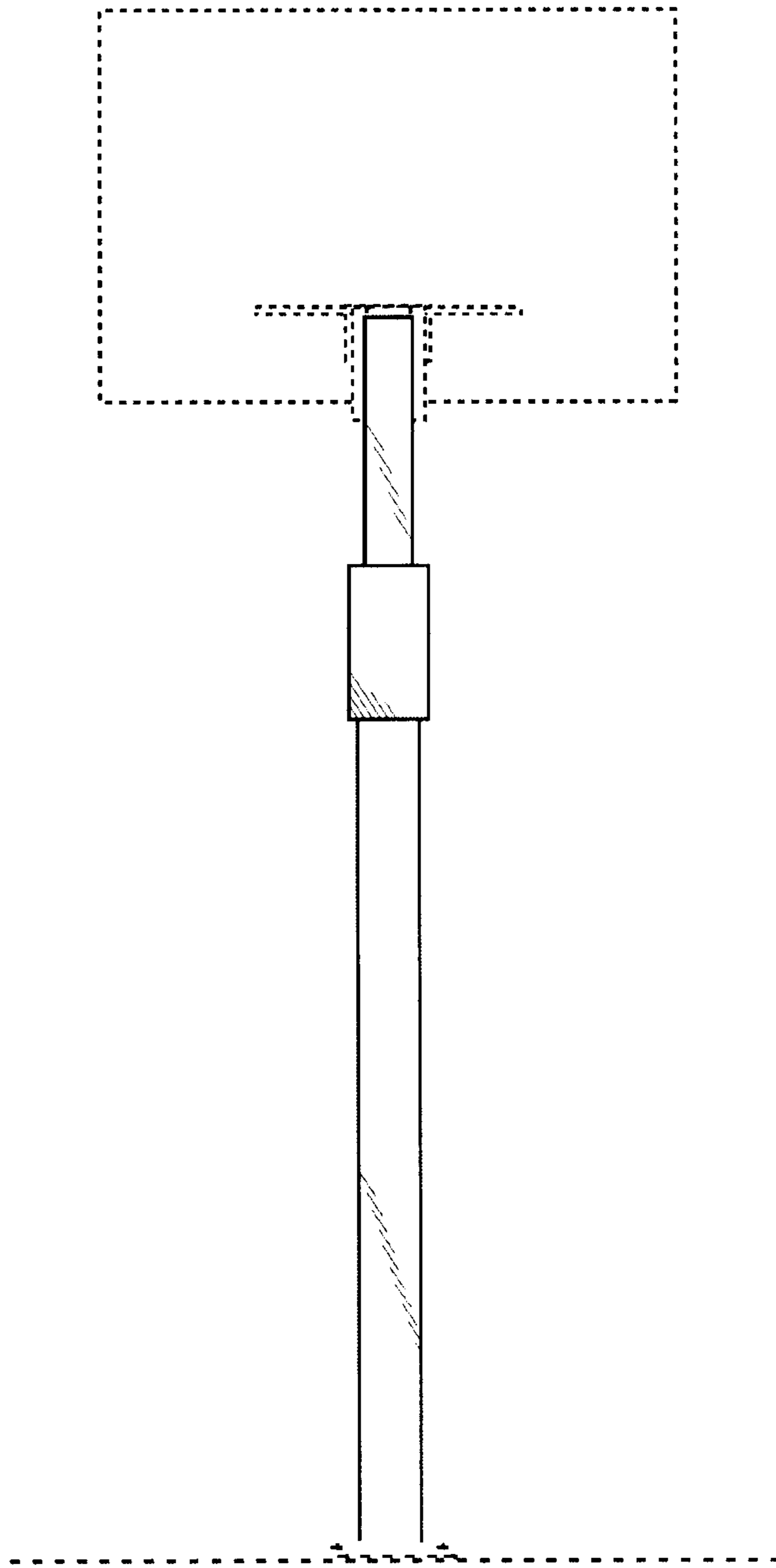
**Fig. 1**



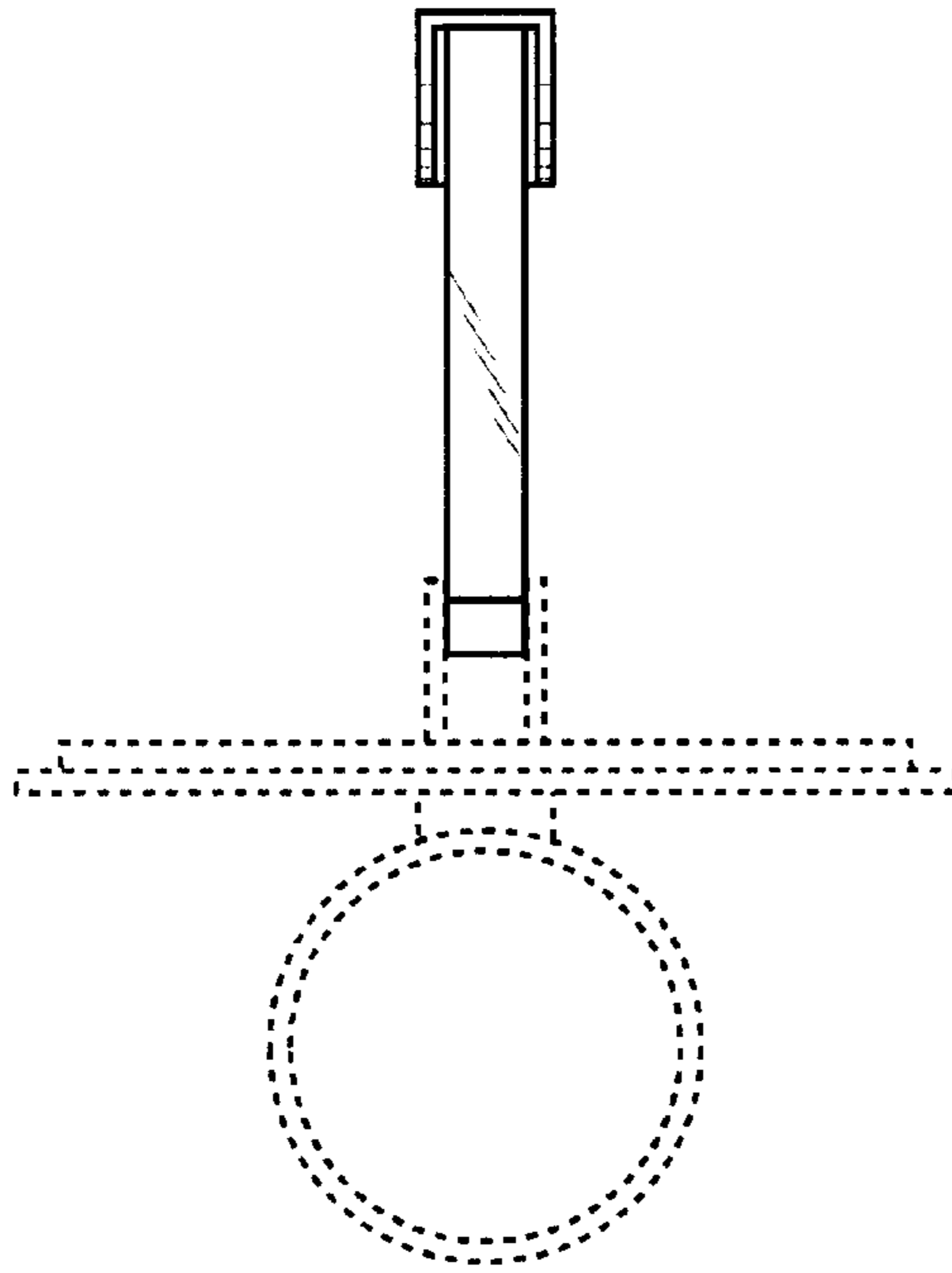
**Fig. 2**



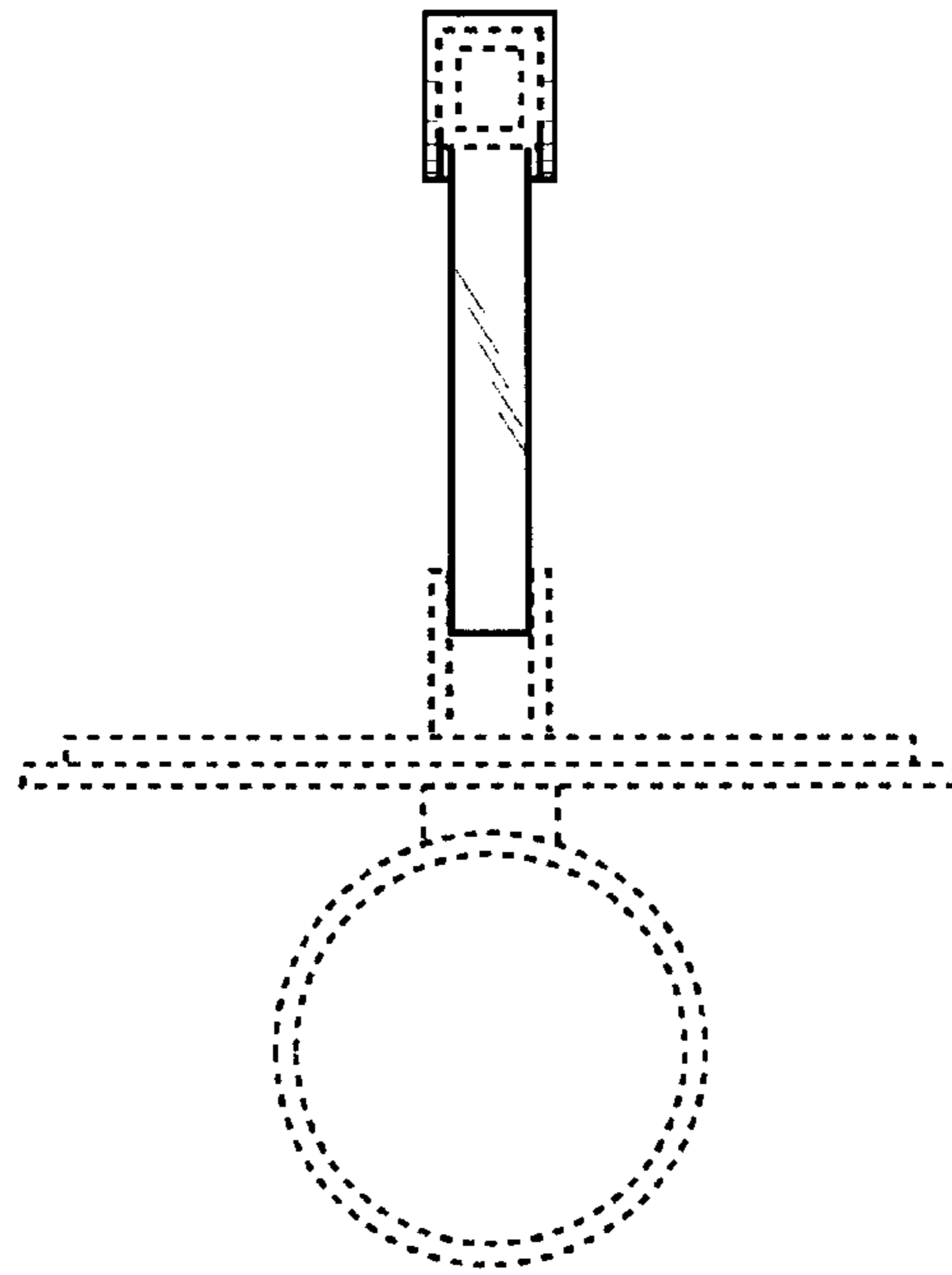
**Fig. 3**



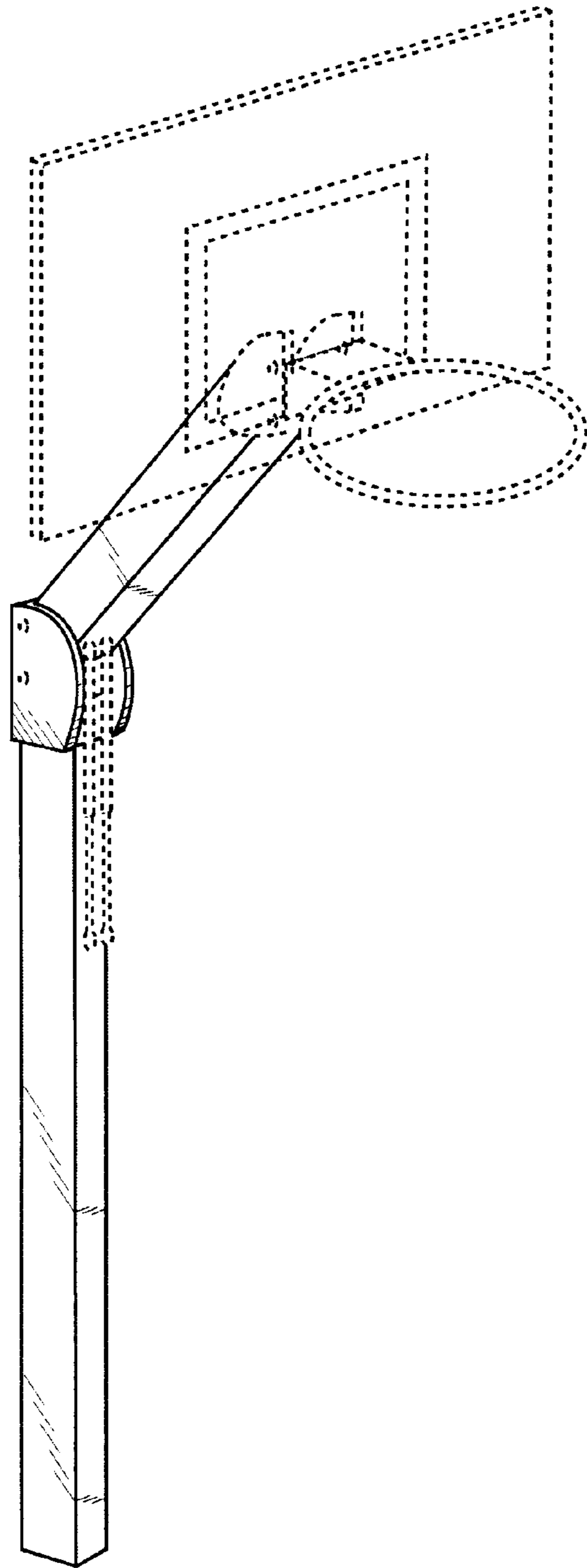
**Fig. 4**



**Fig. 5**



**Fig. 6**



**Fig. 7**