



US00D537484S

(12) **United States Design Patent**  
**Ganderton**

(10) **Patent No.:** **US D537,484 S**

(45) **Date of Patent:** **\*\* Feb. 27, 2007**

(54) **TOY BUILDING SET ELEMENT**

D364,656 S \* 11/1995 Ruskai ..... D21/494  
D384,989 S \* 10/1997 Andersen ..... D21/491

(75) Inventor: **Michael David Ganderton**, Vejle (DK)

**FOREIGN PATENT DOCUMENTS**

(73) Assignee: **Interlego AG**, Baar (CH)

RU 44937 12/1998  
RU 45016 1/1999  
RU 47415 6/2000

(\*\*) Term: **14 Years**

\* cited by examiner

(21) Appl. No.: **29/217,952**

*Primary Examiner*—Philip S. Hyder

(22) Filed: **Nov. 23, 2004**

*Assistant Examiner*—RoseLynne (Ulm) Cody

(30) **Foreign Application Priority Data**

(74) *Attorney, Agent, or Firm*—Pitney Hardin LLP

May 28, 2004 (EM) ..... 000183629

(57) **CLAIM**

(51) **LOC (8) Cl.** ..... **21-01**

The ornamental design for a toy building set element, as shown and described.

(52) **U.S. Cl.** ..... **D21/494; D21/491**

(58) **Field of Classification Search** ..... D21/484,

D21/489, 491, 494, 500–501, 506–507; D25/32,

D25/138; 446/85, 108, 110

See application file for complete search history.

**DESCRIPTION**

FIG. 1 is a perspective view of the toy building set element of the present invention;

FIG. 2 is a bottom view thereof;

FIG. 3 is a top view thereof;

FIG. 4 is a front view thereof;

FIG. 5 is a rear view thereof;

FIG. 6 is a left side view thereof; and,

FIG. 7 is a right side view thereof.

(56) **References Cited**

**U.S. PATENT DOCUMENTS**

2,780,028 A \* 2/1957 McNeill ..... 446/104

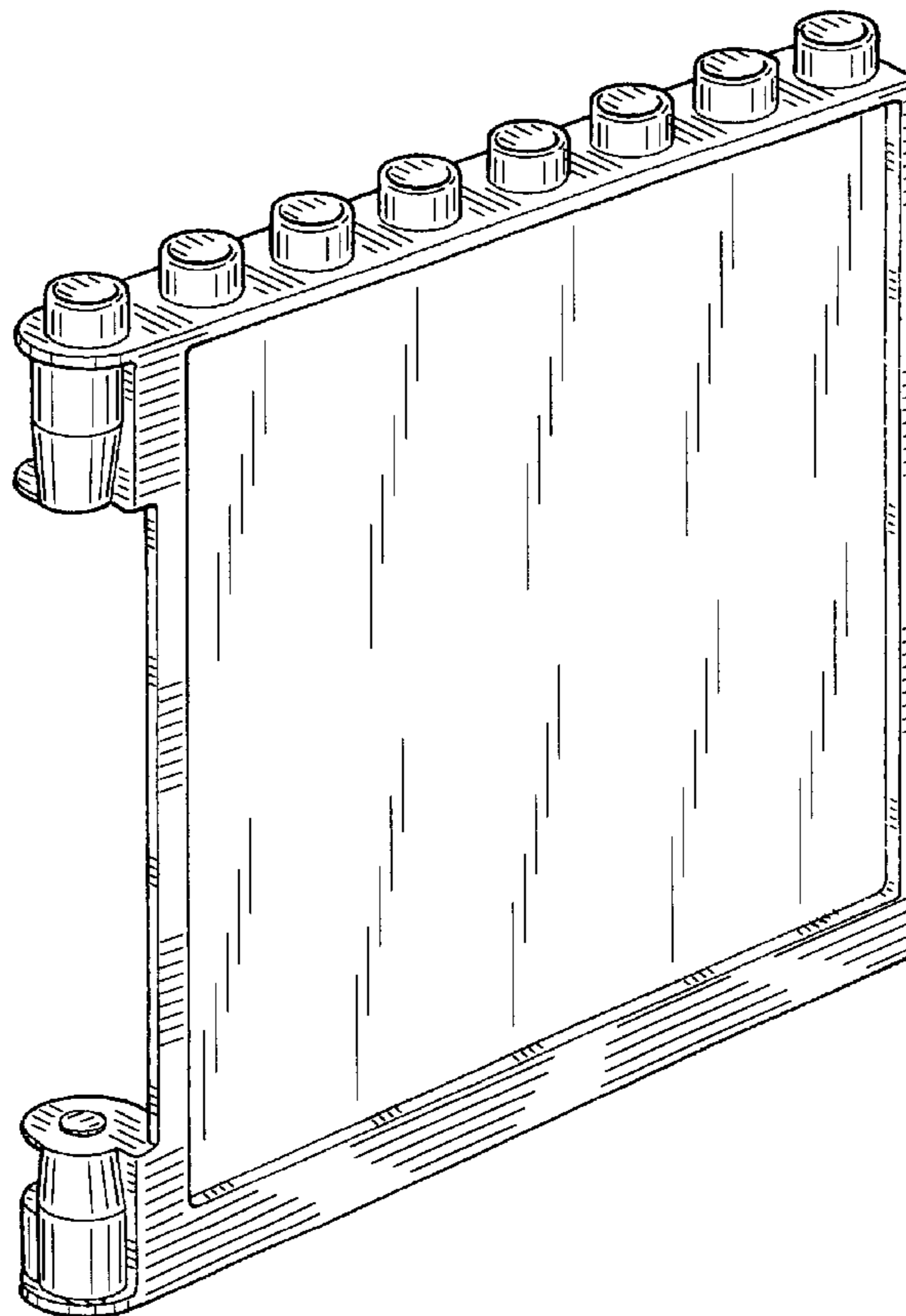
3,534,494 A \* 10/1970 Majima ..... 446/102

D291,217 S \* 8/1987 Tapdrup ..... D21/490

D295,643 S \* 5/1988 Kushner ..... D21/490

D353,866 S \* 12/1994 Houry et al. .... D21/814

**1 Claim, 2 Drawing Sheets**



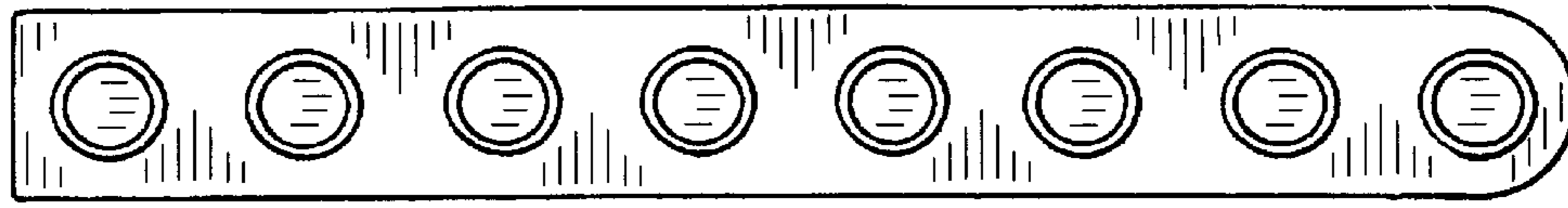


FIG. 3

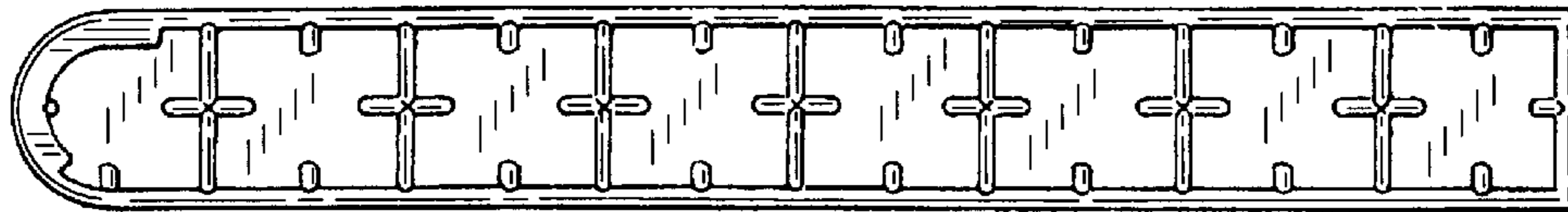


FIG. 2

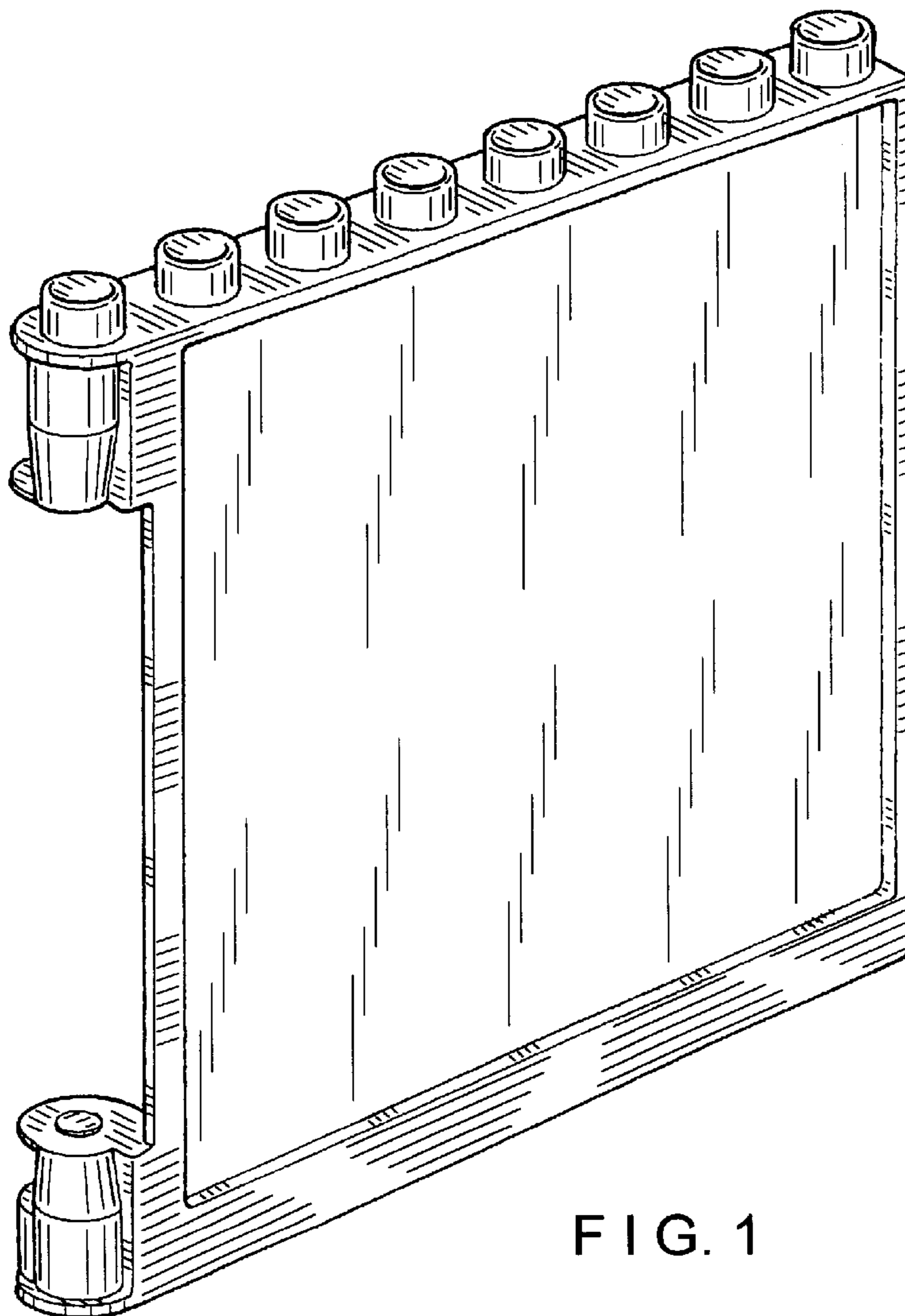


FIG. 1

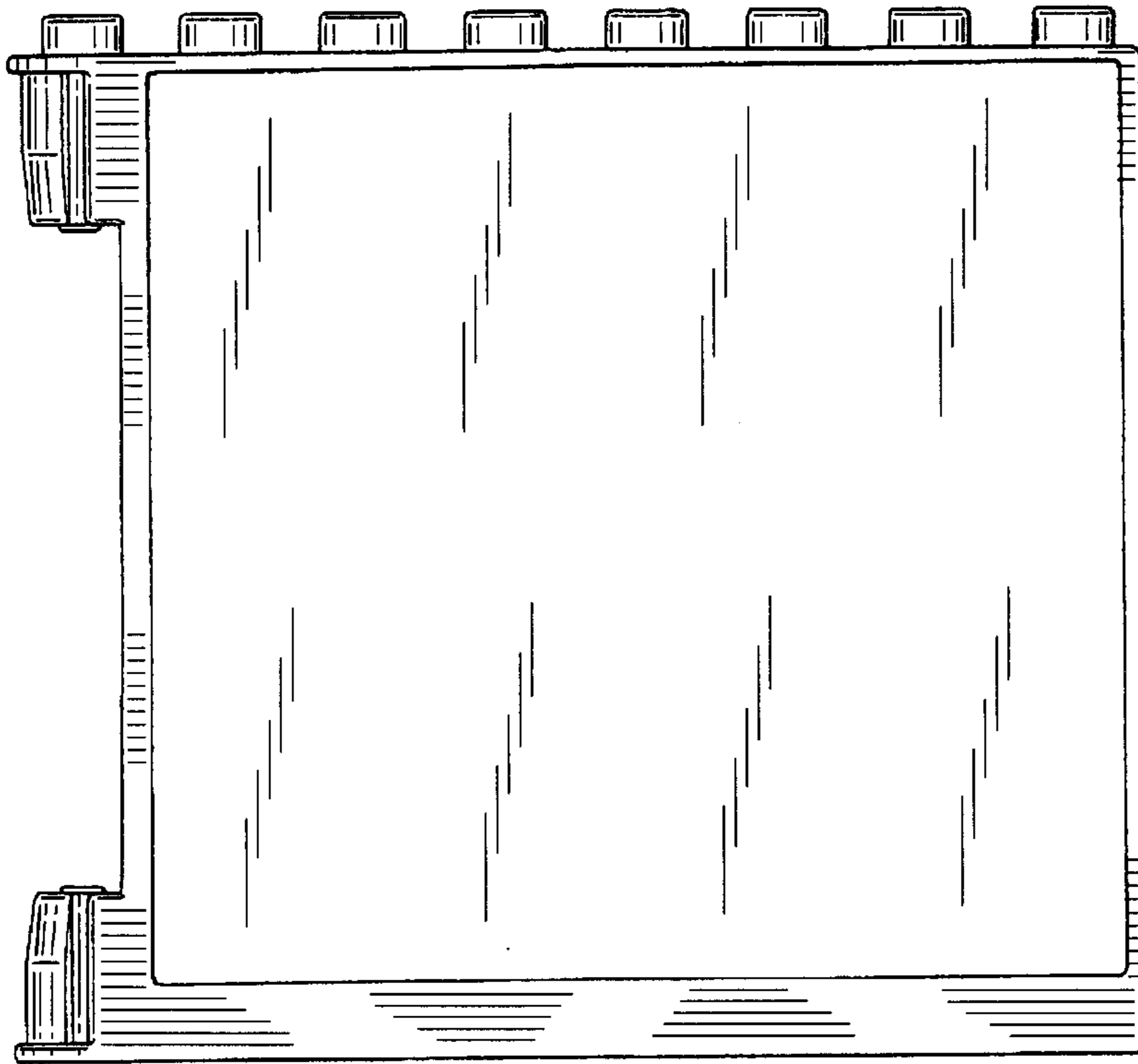


FIG. 4

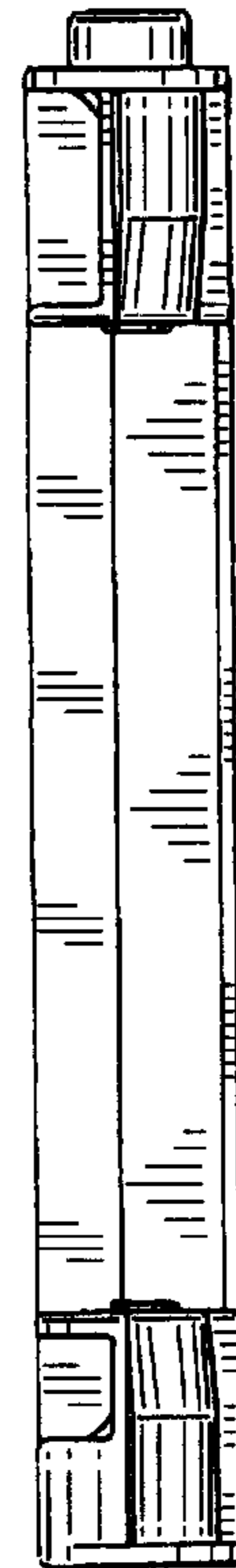


FIG. 6

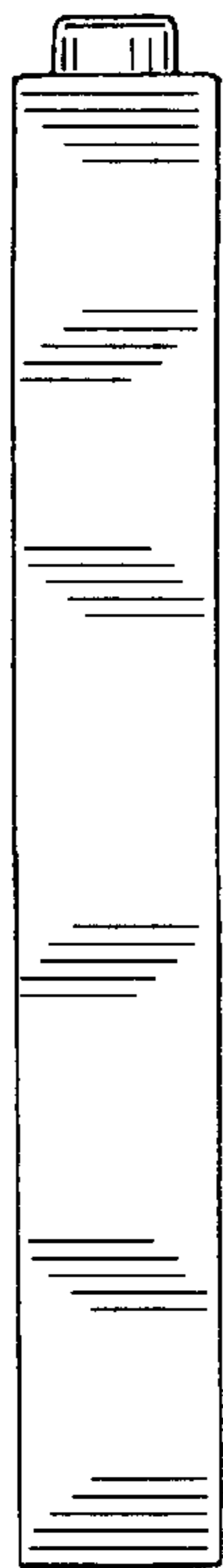


FIG. 7

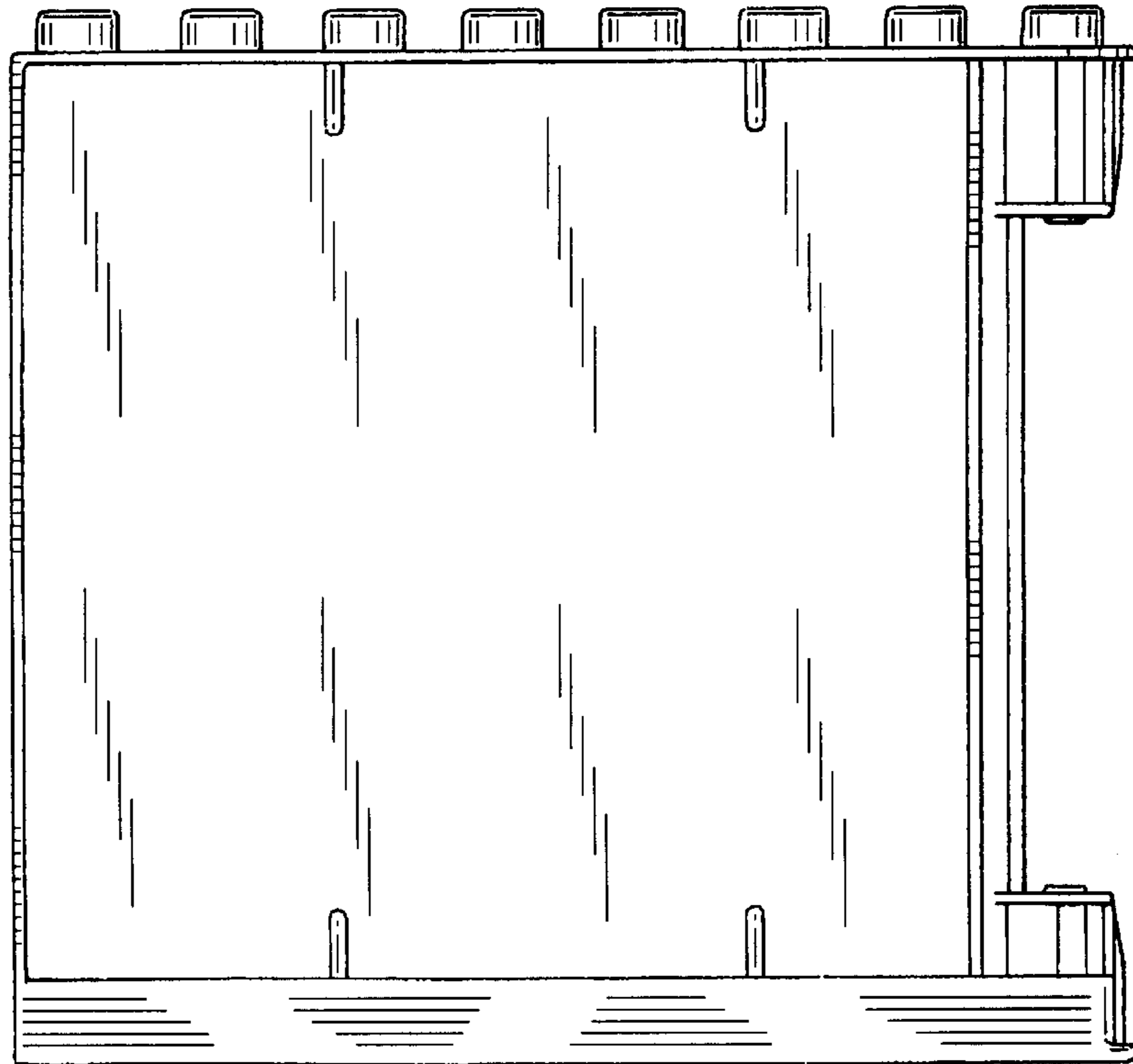


FIG. 5