



US00D537482S

(12) **United States Design Patent**  
**Gadda et al.**

(10) **Patent No.:** **US D537,482 S**

(45) **Date of Patent:** **\*\* Feb. 27, 2007**

(54) **SUPPORT PEDESTAL APPARATUS FOR A GAMING MACHINE TERMINAL**

D376,282 S \* 12/1996 Sandy ..... D6/495  
D465,677 S \* 11/2002 Bryskiewicz ..... D6/495  
D508,541 S \* 8/2005 Tsujino et al. .... D21/325

(75) Inventors: **Christian E. Gadda**, Las Vegas, NV (US); **Richard L. Wilder**, Sparks, NV (US); **Harold Mattice**, Gardnerville, NV (US); **Ricky Lew**, Reno, NV (US); **Chan W. Griswold**, Reno, NV (US)

\* cited by examiner

*Primary Examiner*—Sandra L. Morris  
(74) *Attorney, Agent, or Firm*—Beyer Weaver & Thomas LLP

(73) Assignee: **IGT**, Reno, NV (US)

(57) **CLAIM**

(\*\*) Term: **14 Years**

We claim the ornamental design for a support pedestal apparatus for a gaming machine terminal, as shown and described.

(21) Appl. No.: **29/228,292**

**DESCRIPTION**

(22) Filed: **Apr. 20, 2005**

(51) **LOC (8) Cl.** ..... **21-01**

(52) **U.S. Cl.** ..... **D21/385**; D6/495

(58) **Field of Classification Search** ..... D6/449,  
D6/462, 495, 499; D14/239; D21/325, 329,  
D21/369–371, 374, 385; 273/138.1; 463/16–17,  
463/20, 25, 42, 46–47

See application file for complete search history.

FIG. 1 is a perspective view of a support pedestal apparatus for a gaming machine terminal showing our new design; FIG. 2 is a right side elevation view of the terminal apparatus, the left side being a mirror image thereof; FIG. 3 is a front elevation view thereof; FIG. 4 is a rear elevation view thereof; FIG. 5 is a top plan view thereof; and, FIG. 6 is a bottom plan view thereof.

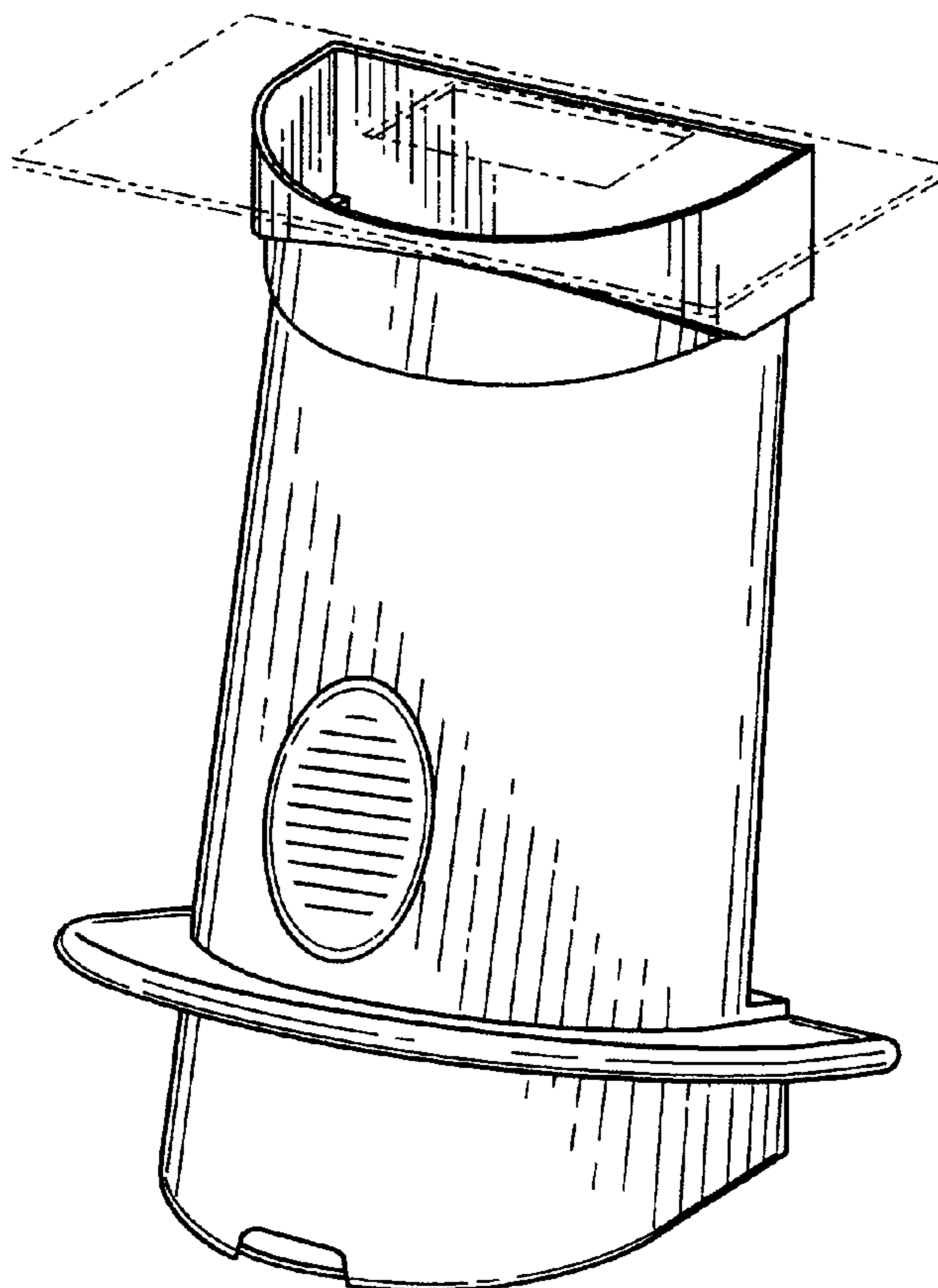
The broken line showing is for illustrative purposes only, and forms no part of the claimed design.

(56) **References Cited**

**U.S. PATENT DOCUMENTS**

D240,880 S \* 8/1976 Phillips ..... D21/385

**1 Claim, 5 Drawing Sheets**



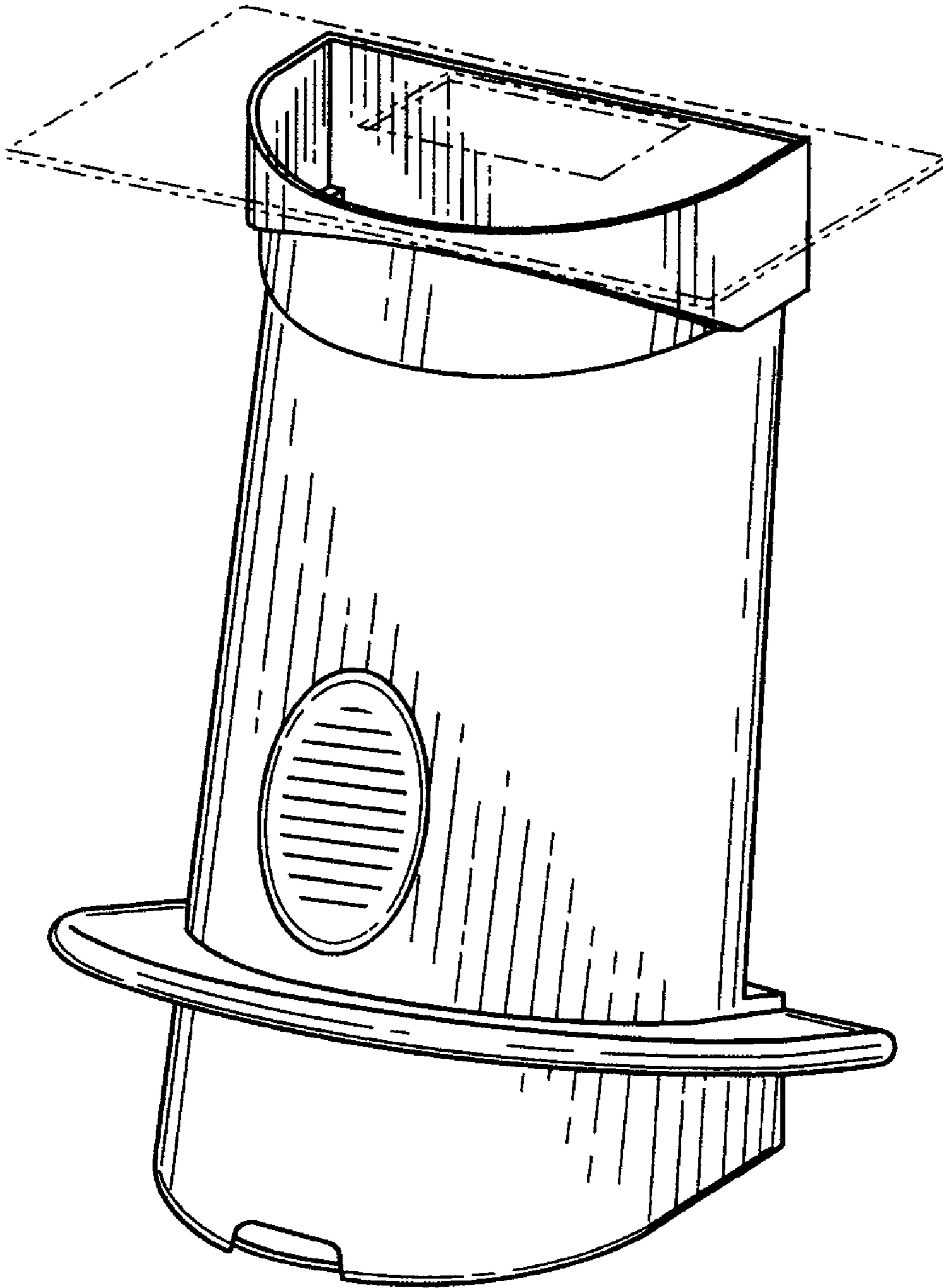


FIG. 1

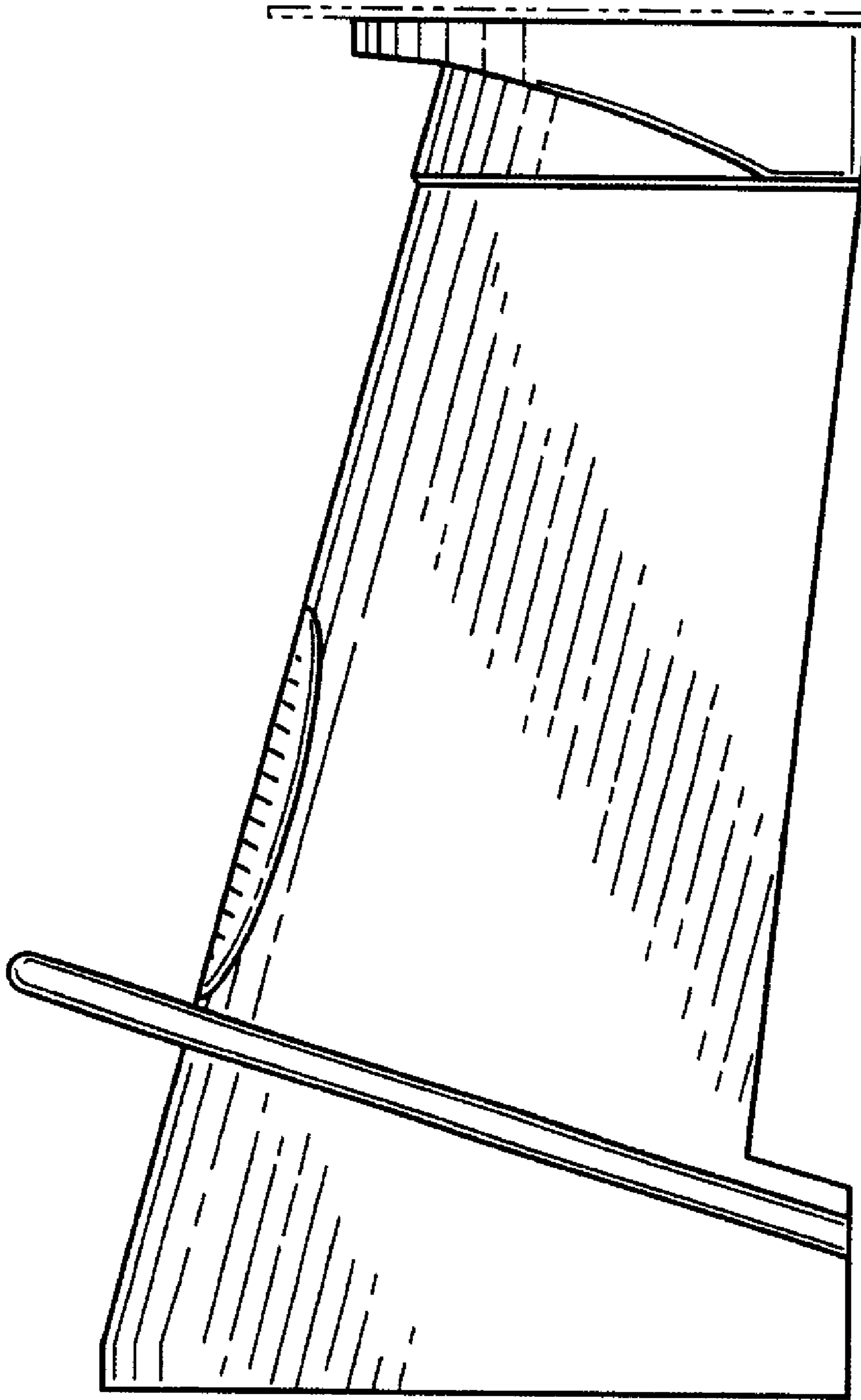


FIG. 2

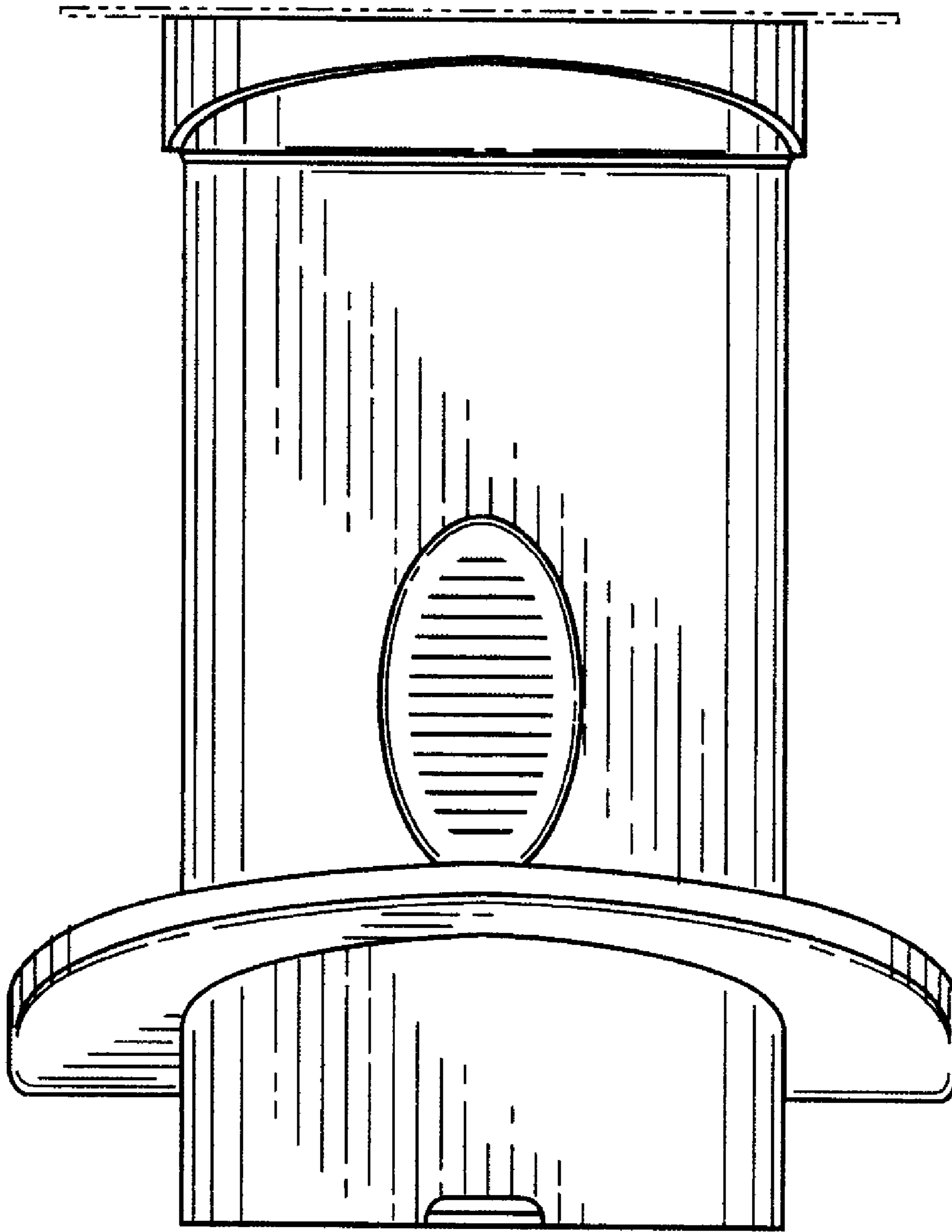


FIG. 3

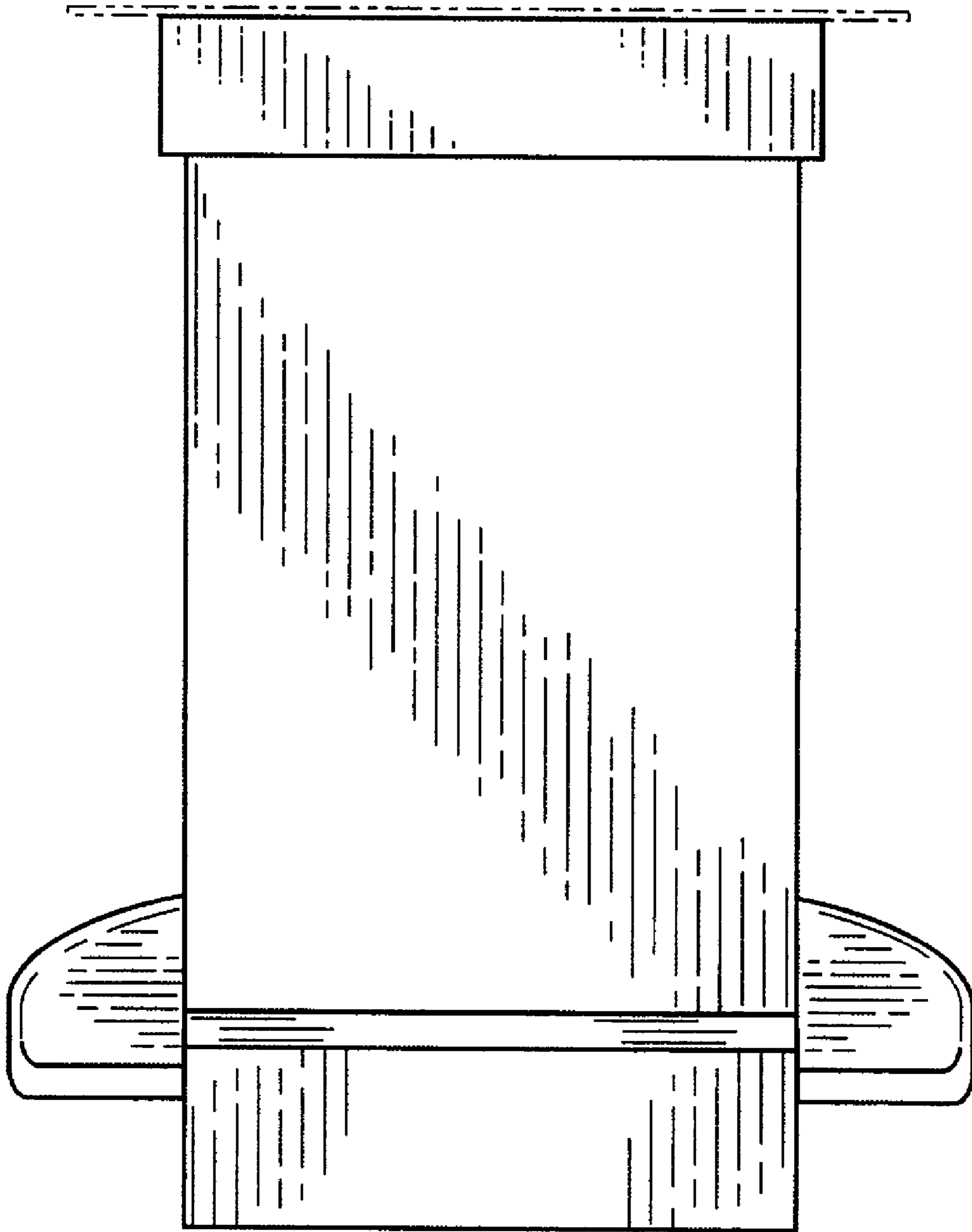


FIG. 4

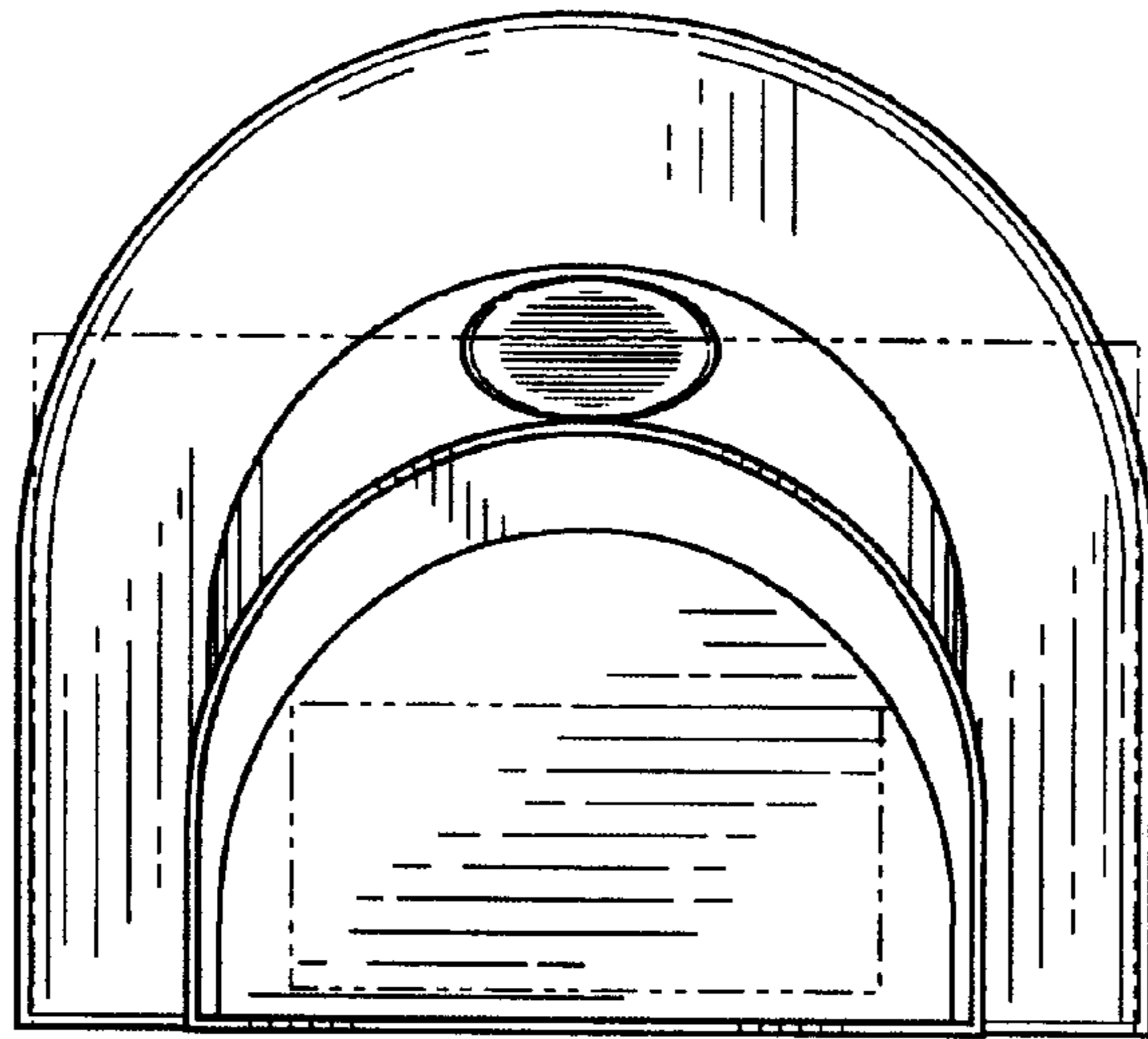


FIG. 5

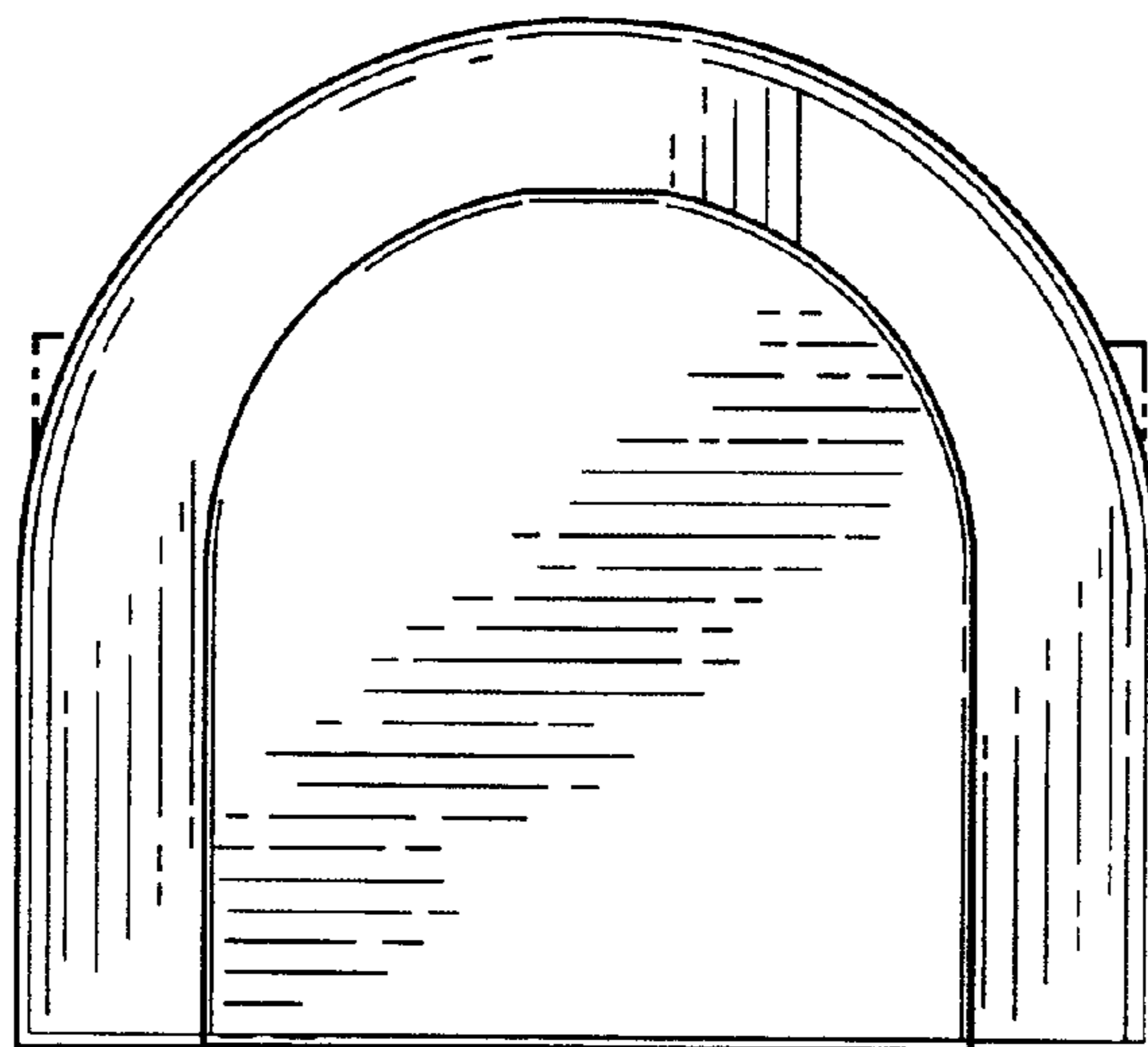


FIG. 6