



US00D537476S

(12) **United States Design Patent**
Yamaguchi

(10) **Patent No.:** **US D537,476 S**

(45) **Date of Patent:** **** Feb. 27, 2007**

(54) **PRINTER**

(75) Inventor: **Yasutake Yamaguchi**, Chiryu (JP)

(73) Assignee: **Brother Industries Ltd.**, Nagoya (JP)

(**) Term: **14 Years**

(21) Appl. No.: **29/238,422**

(22) Filed: **Sep. 16, 2005**

(30) **Foreign Application Priority Data**

Apr. 11, 2005 (JP) 2005-010805

(51) **LOC (8) Cl.** **14-02**

(52) **U.S. Cl.** **D18/50**

(58) **Field of Classification Search** D18/14,
D18/19, 36-39, 41, 50, 53, 54, 54.1, 55;
D14/420-425, 462-470; D16/218, 246-248;
399/107; 400/613, 613.1-613.4, 690.1-690.4,
400/691-694; D21/500

See application file for complete search history.

(56) **References Cited**

U.S. PATENT DOCUMENTS

D219,917 S * 2/1971 Skinner D21/500
D339,996 S * 10/1993 Rattley D10/104

D418,837 S * 1/2000 Ishii D14/218
D431,047 S * 9/2000 Yokakowa D18/50
D442,625 S * 5/2001 Chiba et al. D18/50
D487,109 S * 2/2004 Suzuki D18/50
D487,285 S * 3/2004 Hoshiya D18/50
D501,873 S * 2/2005 Hattori D18/50
D502,211 S * 2/2005 Hattori D18/50
D509,534 S * 9/2005 Suzuki D18/50
D517,111 S * 3/2006 Katayama D18/50
D517,119 S * 3/2006 Suzuki et al. D18/50
D522,570 S * 6/2006 Christou et al. D18/50

* cited by examiner

Primary Examiner—Cathy Anne MacCormac

(74) *Attorney, Agent, or Firm*—Oliff & Berridge, PLC

(57) **CLAIM**

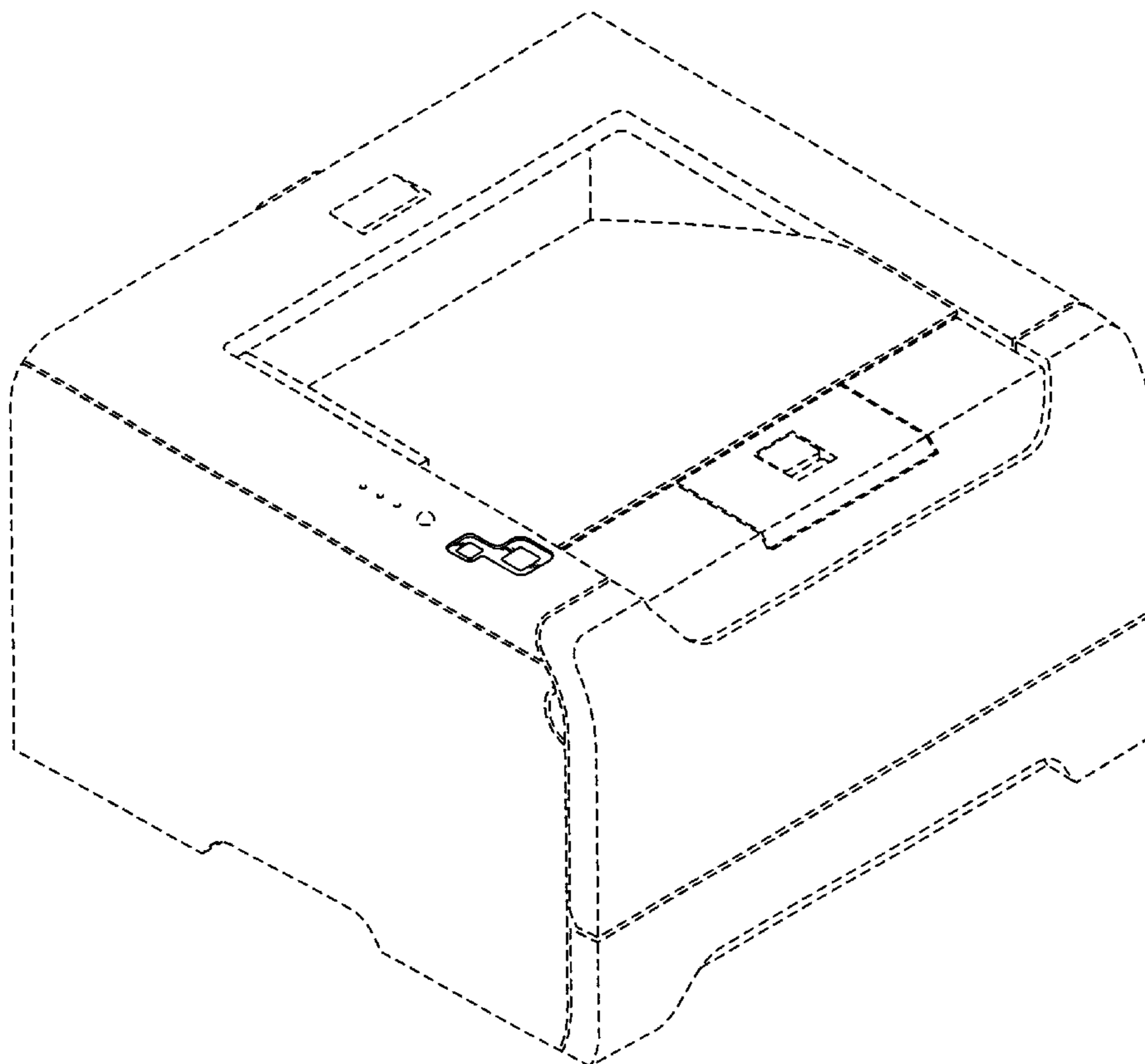
The ornamental design for a printer, as shown and described.

DESCRIPTION

FIG. 1 is a perspective view of a printer;
FIG. 2 is an enlarged partial perspective view thereof;
FIG. 3 is a front view thereof; and,
FIG. 4 is a top view thereof.

The broken line showing is for illustrative purposes only and forms no part of the claimed design.

1 Claim, 2 Drawing Sheets



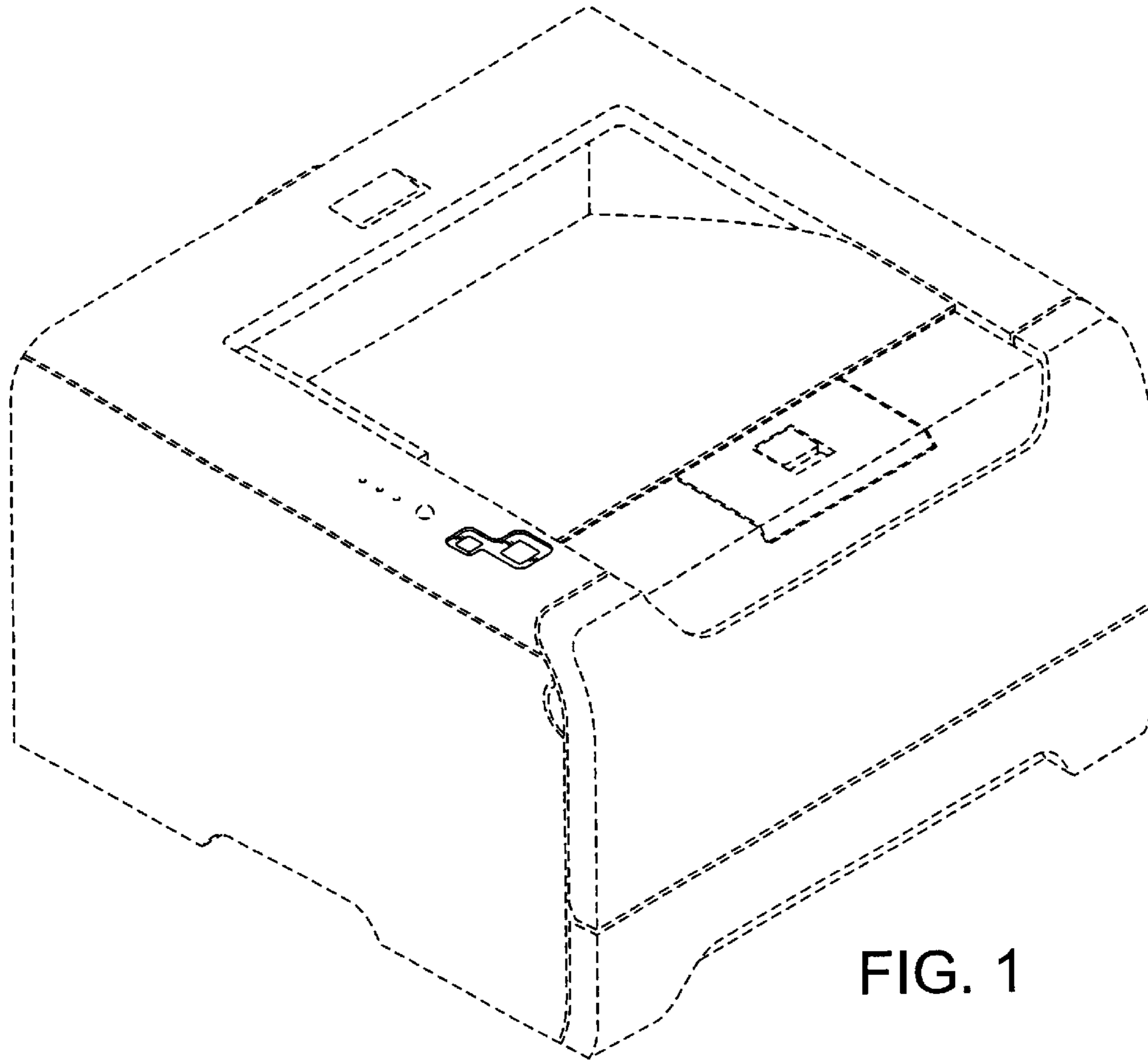


FIG. 1

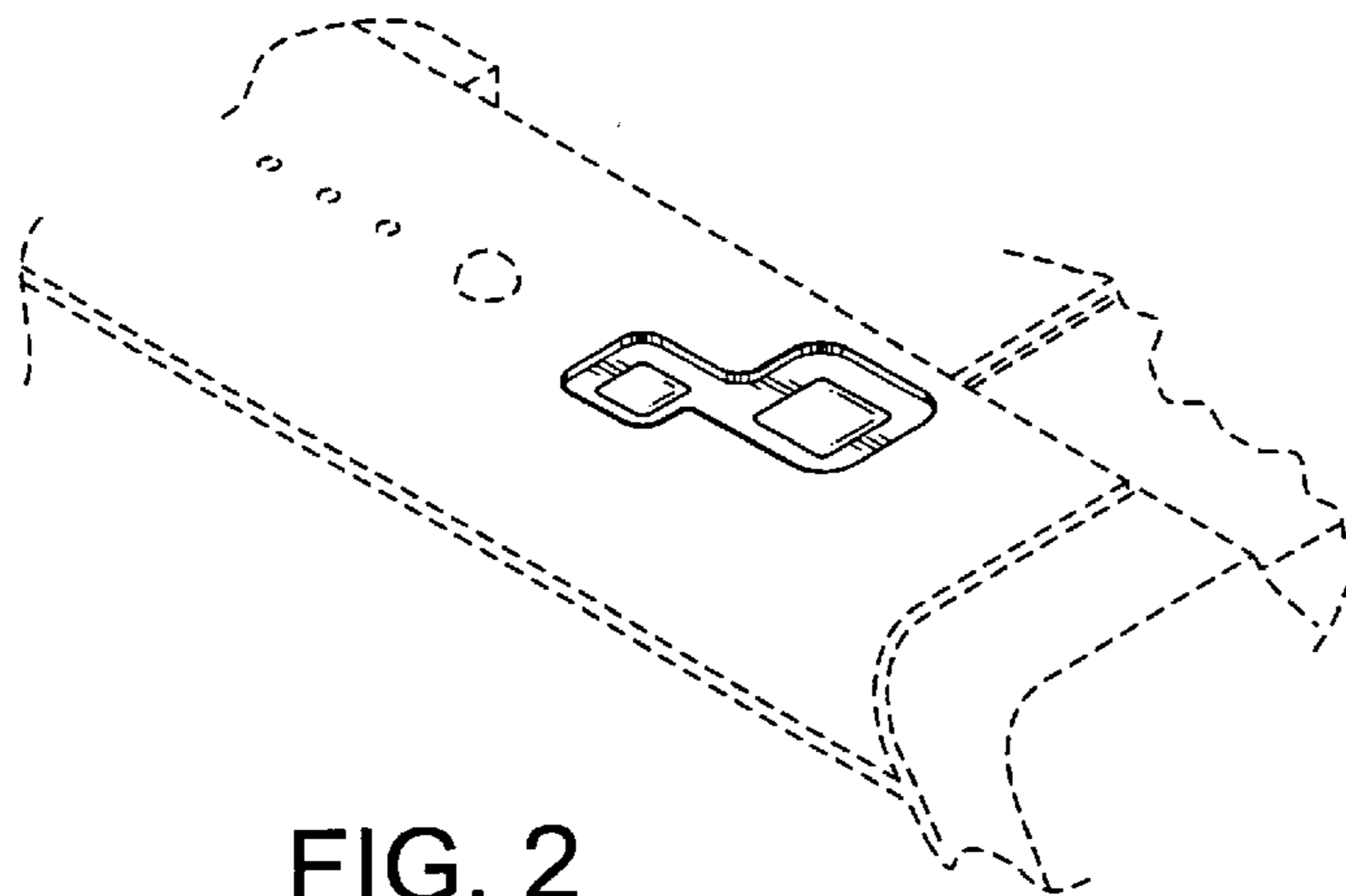


FIG. 2

FIG. 3

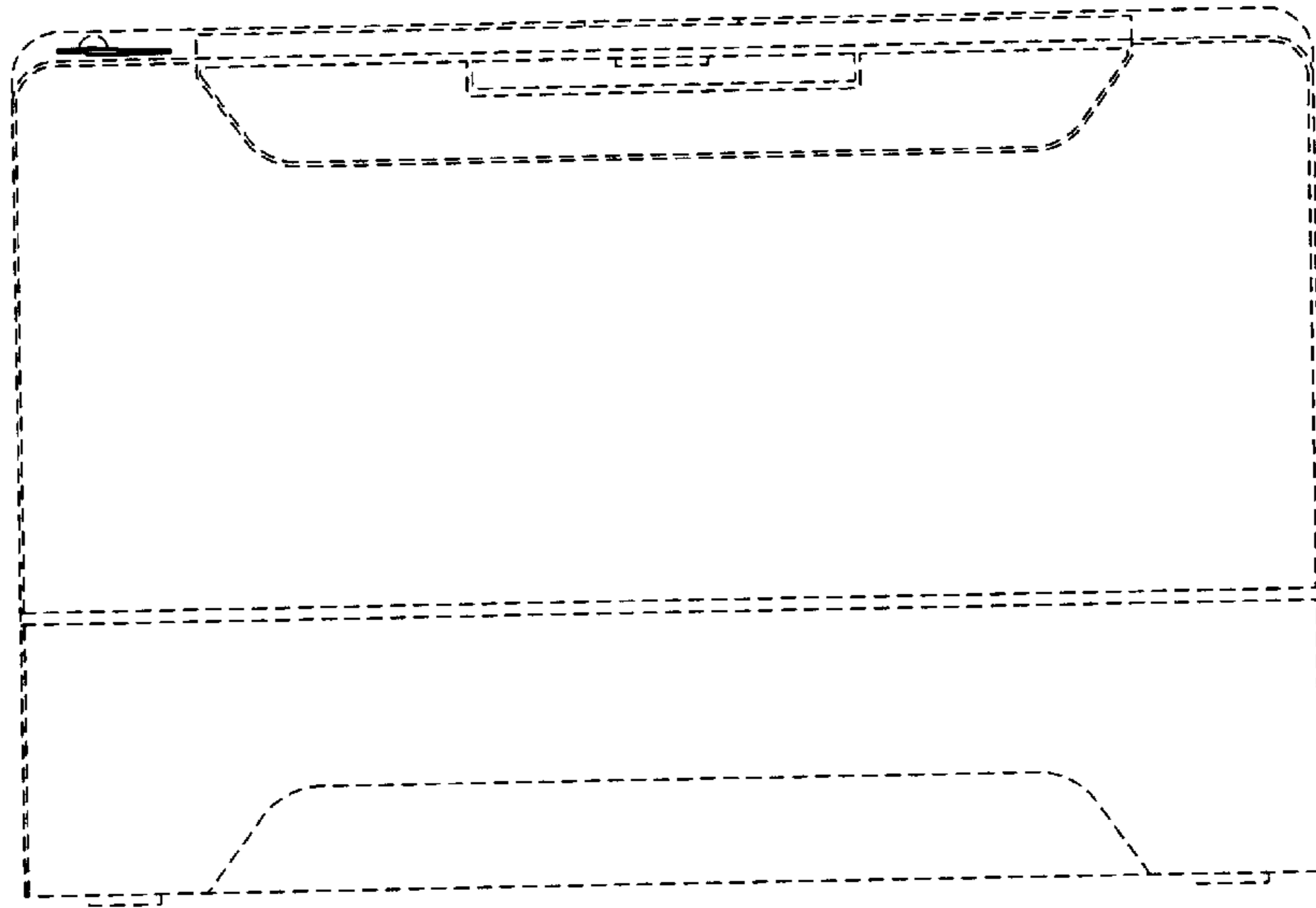


FIG. 4

