



US00D537475S

(12) **United States Design Patent**
Miller et al.

(10) **Patent No.:** **US D537,475 S**

(45) **Date of Patent:** **** Feb. 27, 2007**

(54) **MEDIA FEEDER**

(75) Inventors: **Harold M. Miller**, Nampa, ID (US);
Eric U. Eskey, Meridian, ID (US);
Michael V. Leman, Eagle, ID (US)

(73) Assignee: **Hewlett-Packard Development Company, L.P.**, Houston, TX (US)

(**) Term: **14 Years**

(21) Appl. No.: **29/226,075**

(22) Filed: **Mar. 23, 2005**

(51) **LOC (8) Cl.** **18-99**

(52) **U.S. Cl.** **D18/49**

(58) **Field of Classification Search** D18/36-41,
D18/43-49, 56; D14/462-471; 222/DIG. 1;
355/97, 112; 399/16-23, 361, 363, 381-384,
399/388-391, 393; 271/3.02, 3.08, 18, 145,
271/160, 171, 226, 241, 264

See application file for complete search history.

(56) **References Cited**

U.S. PATENT DOCUMENTS

D319,257 S * 8/1991 Katada D18/44
5,163,670 A * 11/1992 Sellers et al. 271/160
D369,824 S * 5/1996 Miyamoto D18/49

D378,300 S * 3/1997 Ito D18/55
D383,744 S * 9/1997 Matsushima et al. D14/463
D431,251 S * 9/2000 Fujimoto D14/463
6,674,983 B2 * 1/2004 Enomoto et al. 399/391
2004/0188922 A1 * 9/2004 Takahashi et al. 271/145
2005/0242486 A1 * 11/2005 Lee et al. 271/121

* cited by examiner

Primary Examiner—Robert M. Spear
Assistant Examiner—Garth Rademaker

(57) **CLAIM**

We claim the ornamental design for a media feeder, as shown and described.

DESCRIPTION

FIG. 1 is a top perspective view of a media feeder, showing our design;
FIG. 2 is a front elevational view thereof;
FIG. 3 is a right-end elevational view thereof;
FIG. 4 is a left-end elevational view thereof;
FIG. 5 is a top plan view thereof; and,
FIG. 6 is a rear elevational view thereof.
The ornamental design which is claimed is shown in solid lines in the drawings. The broken lines in the drawings are for illustrative purposes only and form no part of the claimed design.

1 Claim, 3 Drawing Sheets

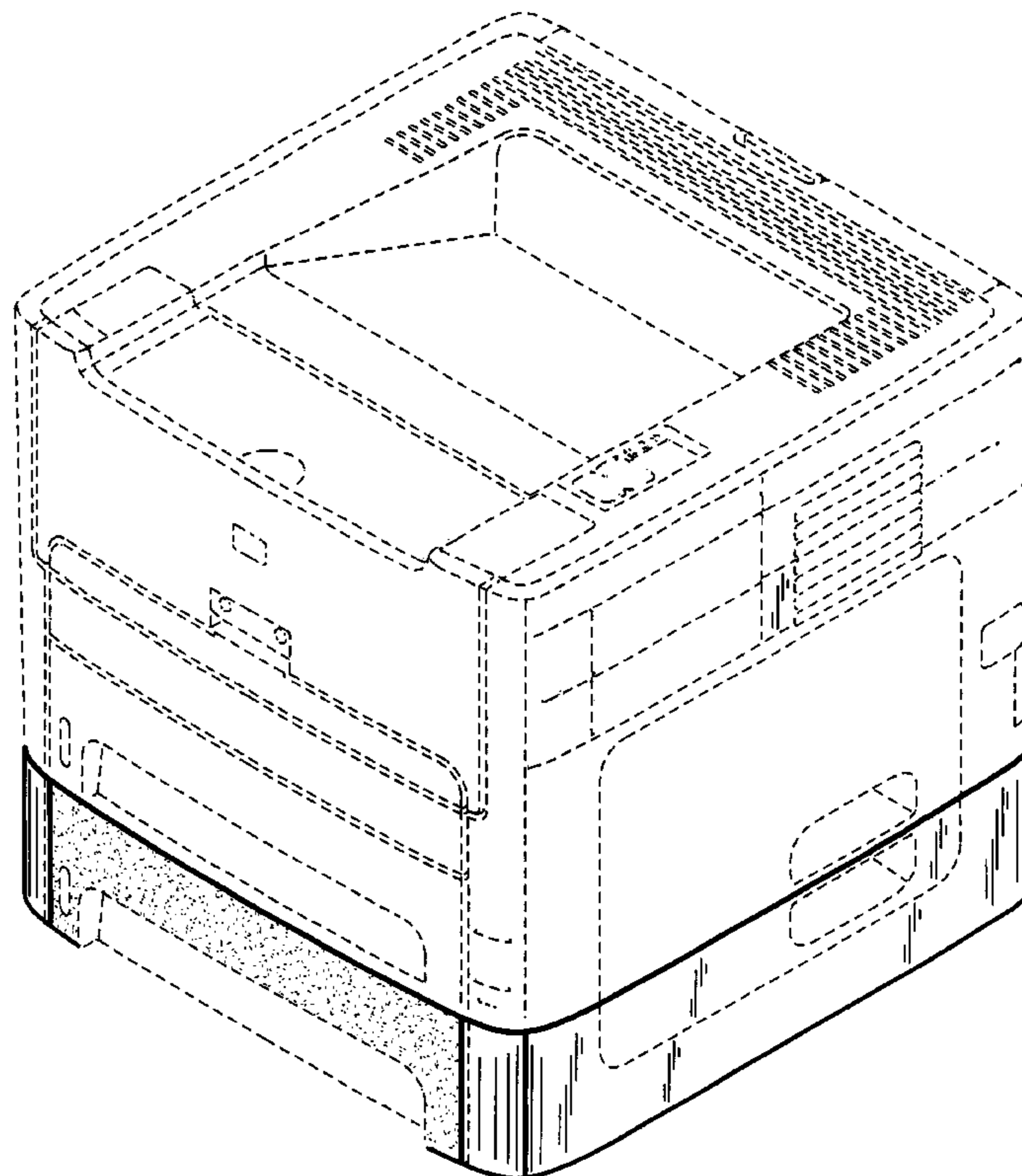
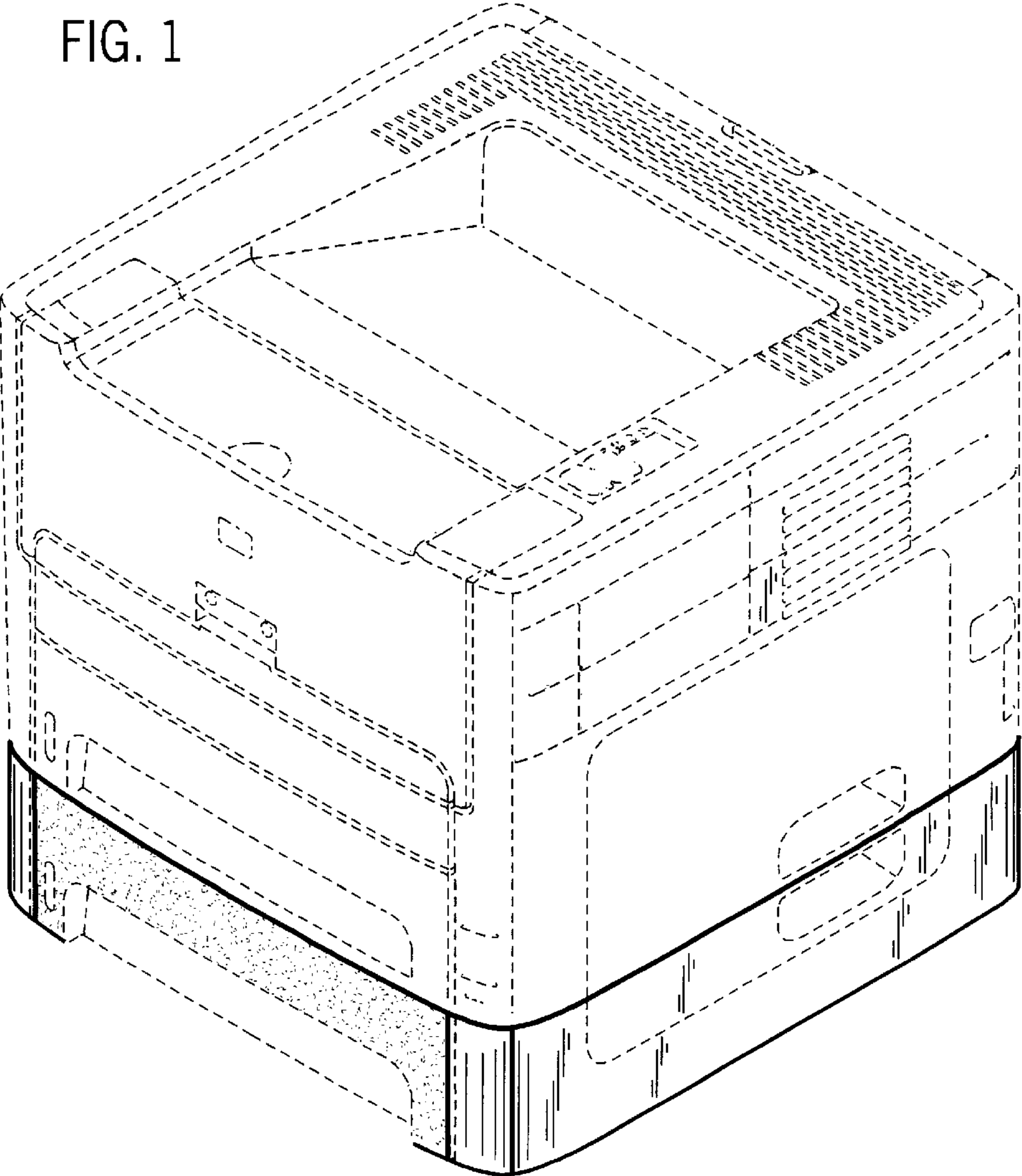


FIG. 1



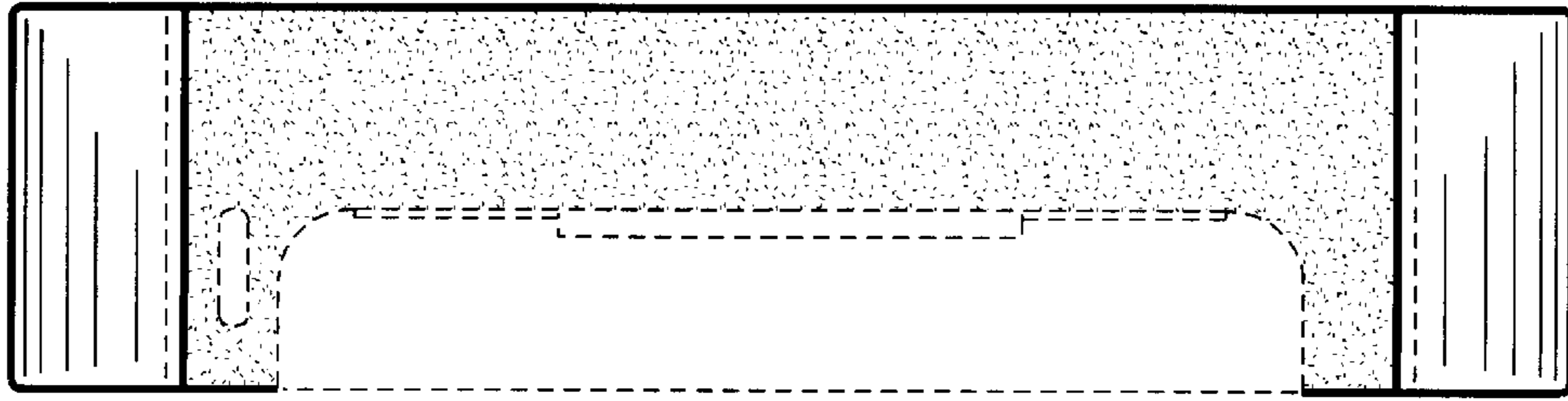


FIG. 2

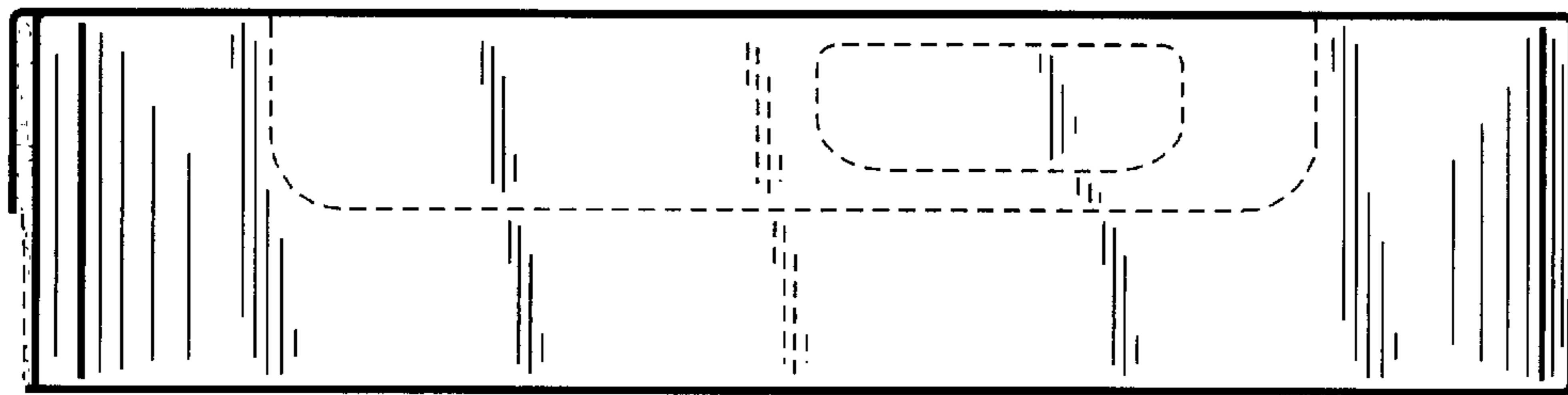


FIG. 3

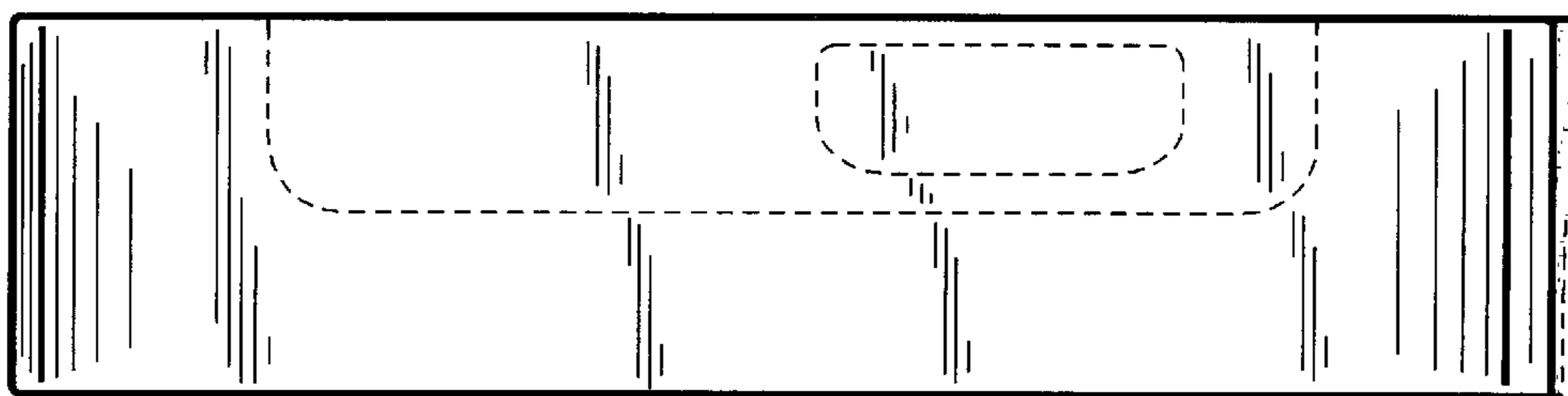


FIG. 4

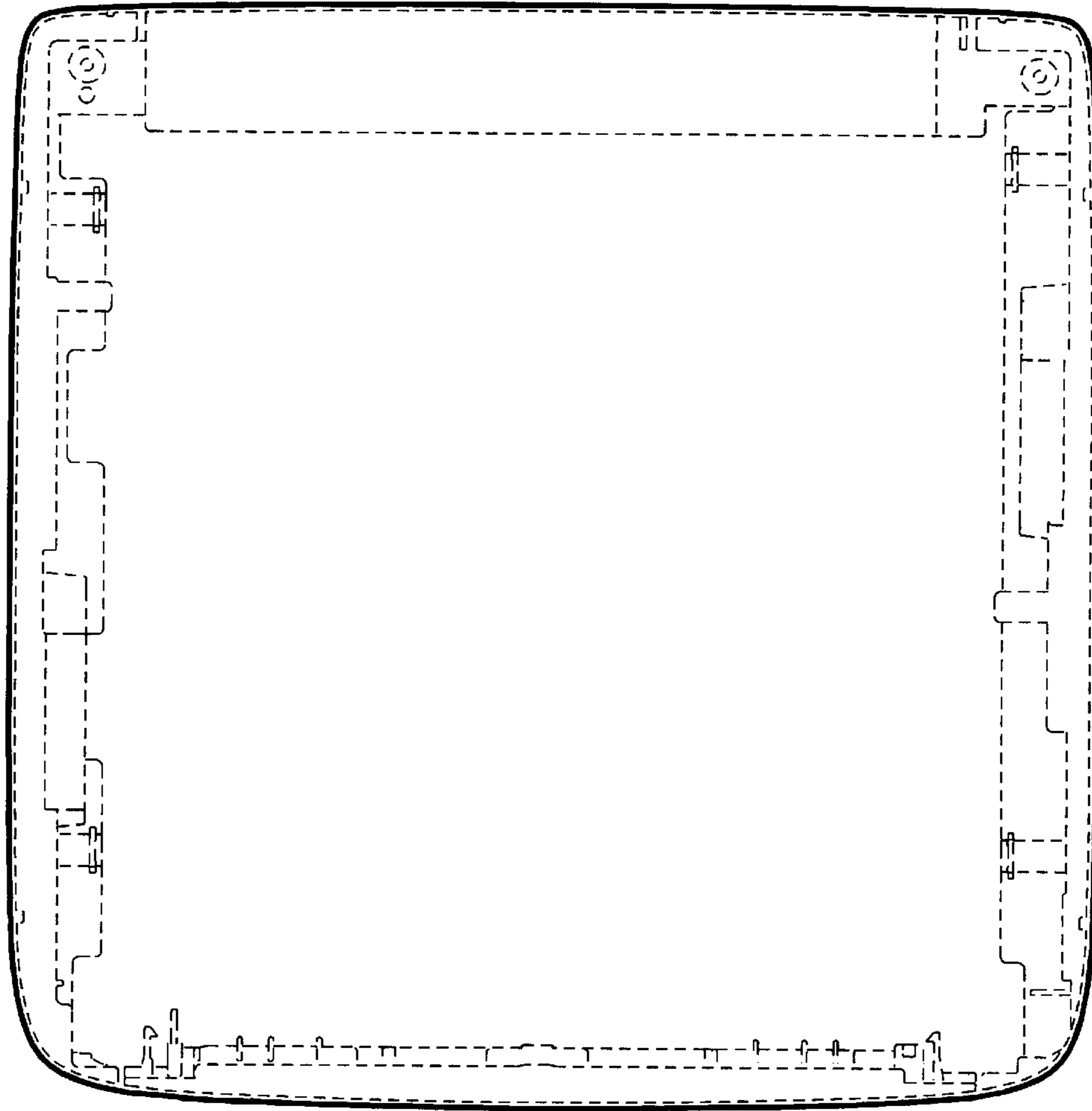


FIG. 5

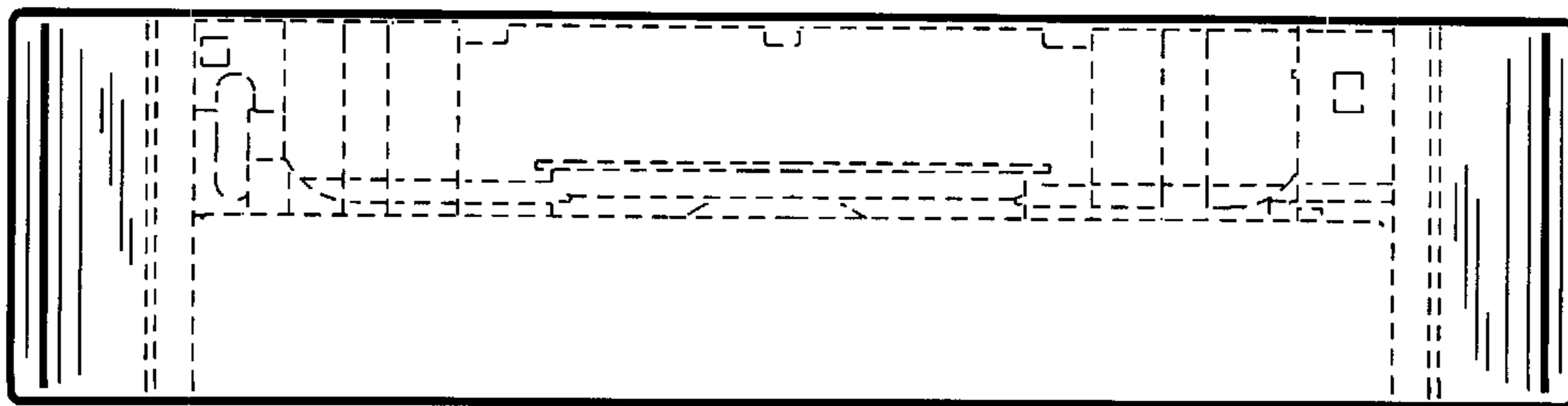


FIG. 6