



US00D537474S

(12) **United States Design Patent**
Takahashi et al.

(10) **Patent No.:** **US D537,474 S**
(45) **Date of Patent:** **** Feb. 27, 2007**

(54) **FRONT PANEL PORTION OF A PAPER FEED CASSETTE**

(75) Inventors: **Noriaki Takahashi**, Tokyo (JP);
Takanori Kanda, Hino (JP); **Daisuke Ueda**, Hachioji (JP); **Takanobu Ohba**, Tokyo (JP)

(73) Assignee: **Konica Minolta Business Technologies, Inc.**, Tokyo (JP)

(**) Term: **14 Years**

(21) Appl. No.: **29/263,490**

(22) Filed: **Jul. 25, 2006**

D284,386 S	6/1986	Saito	
D286,786 S	11/1986	Serbinski et al.	
D328,757 S	8/1992	Katada	
D336,104 S	* 6/1993	Hiroki et al.	D18/39
D350,767 S	9/1994	Kojima et al.	
D366,896 S	2/1996	Isomoto et al.	
D404,418 S	* 1/1999	Takeuchi	D18/39
D413,350 S	8/1999	Sanaka	
D421,043 S	* 2/2000	Shibata et al.	D18/39
D425,931 S	5/2000	Brown et al.	
D428,914 S	8/2000	Kabumoto et al.	
D436,370 S	* 1/2001	Agata et al.	D18/39
D439,605 S	3/2001	Ichi et al.	
D443,886 S	6/2001	Kabumoto et al.	
D458,958 S	6/2002	Agata	
D486,852 S	* 2/2004	Shiozaki	D18/39
D511,185 S	* 11/2005	Rieck	D18/39

Related U.S. Application Data

(62) Division of application No. 29/224,746, filed on Mar. 8, 2005, now Pat. No. Des. 529,077.

(30) **Foreign Application Priority Data**

Sep. 8, 2004	(JP)	2004-027321
Sep. 8, 2004	(JP)	2004-027324
Sep. 8, 2004	(JP)	2004-027325

(51) **LOC (8) Cl.** **16-03**

(52) **U.S. Cl.** **D18/44; D18/39**

(58) **Field of Classification Search** D18/36-41, D18/43-49, 56; D14/462-471; 222/DIG. 1; 355/97, 112; 399/16-23, 361, 363, 381-384, 399/388-391, 393; 271/3.02, 3.08, 18, 145, 271/160, 171, 226, 241, 264

See application file for complete search history.

(56) **References Cited**

U.S. PATENT DOCUMENTS

D280,629 S 9/1985 Goto et al.

* cited by examiner

Primary Examiner—Robert M. Spear

Assistant Examiner—Garth Rademaker

(74) *Attorney, Agent, or Firm*—Buchanan Ingersoll & Rooney PC

(57) **CLAIM**

The ornamental design for a front panel portion of a paper feed cassette, as shown and described.

DESCRIPTION

FIG. 1 is a rear perspective view of a front panel portion of a paper feed cassette showing our new design; FIG. 2 is a front elevational view thereof; FIG. 3 is a top plan view thereof; FIG. 4 is a bottom plan view thereof; FIG. 5 is a right side elevational view thereof; and, FIG. 6 is a left side elevational view thereof. The broken line showing in the figures is for illustrational purposes only and forms no part of the claimed design.

1 Claim, 6 Drawing Sheets

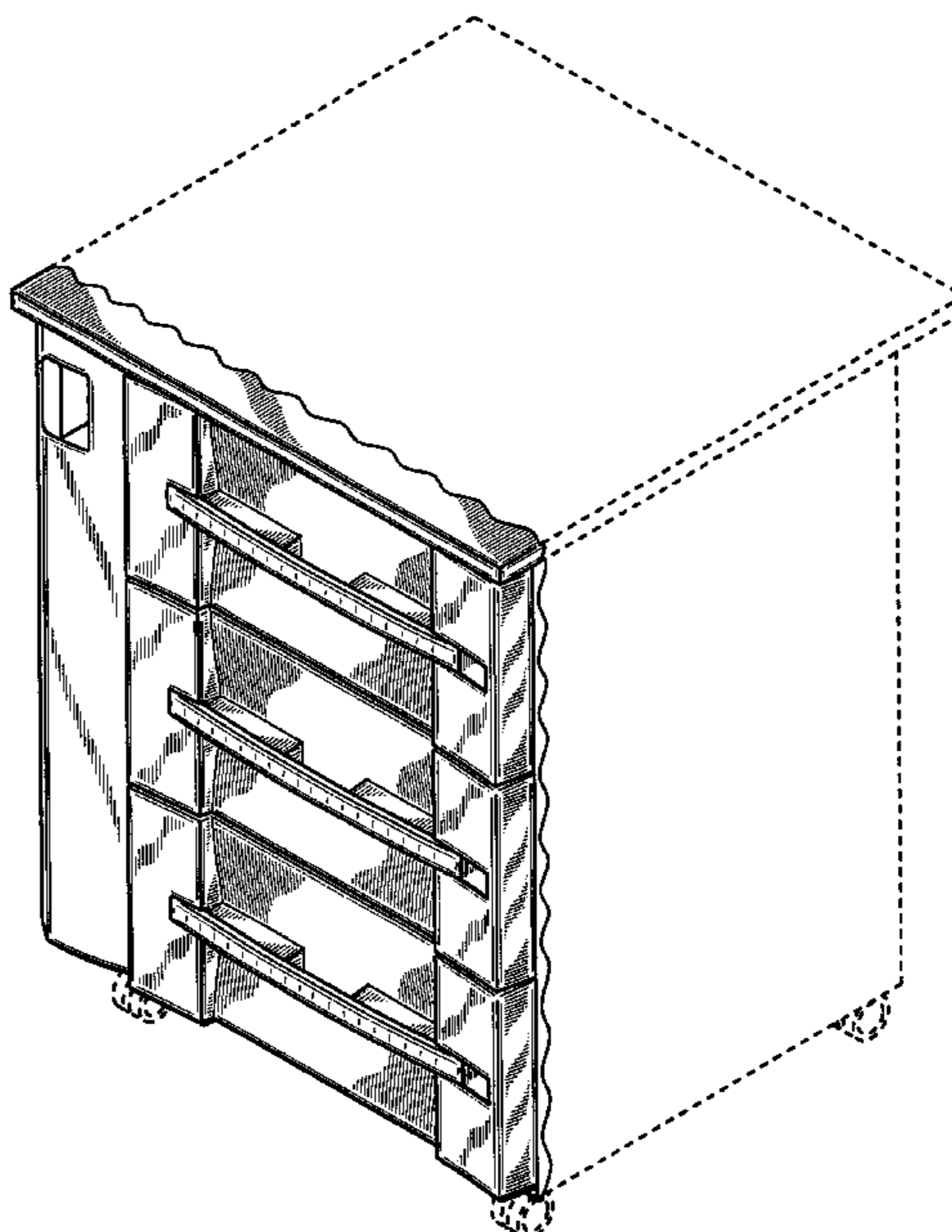


FIG. 1

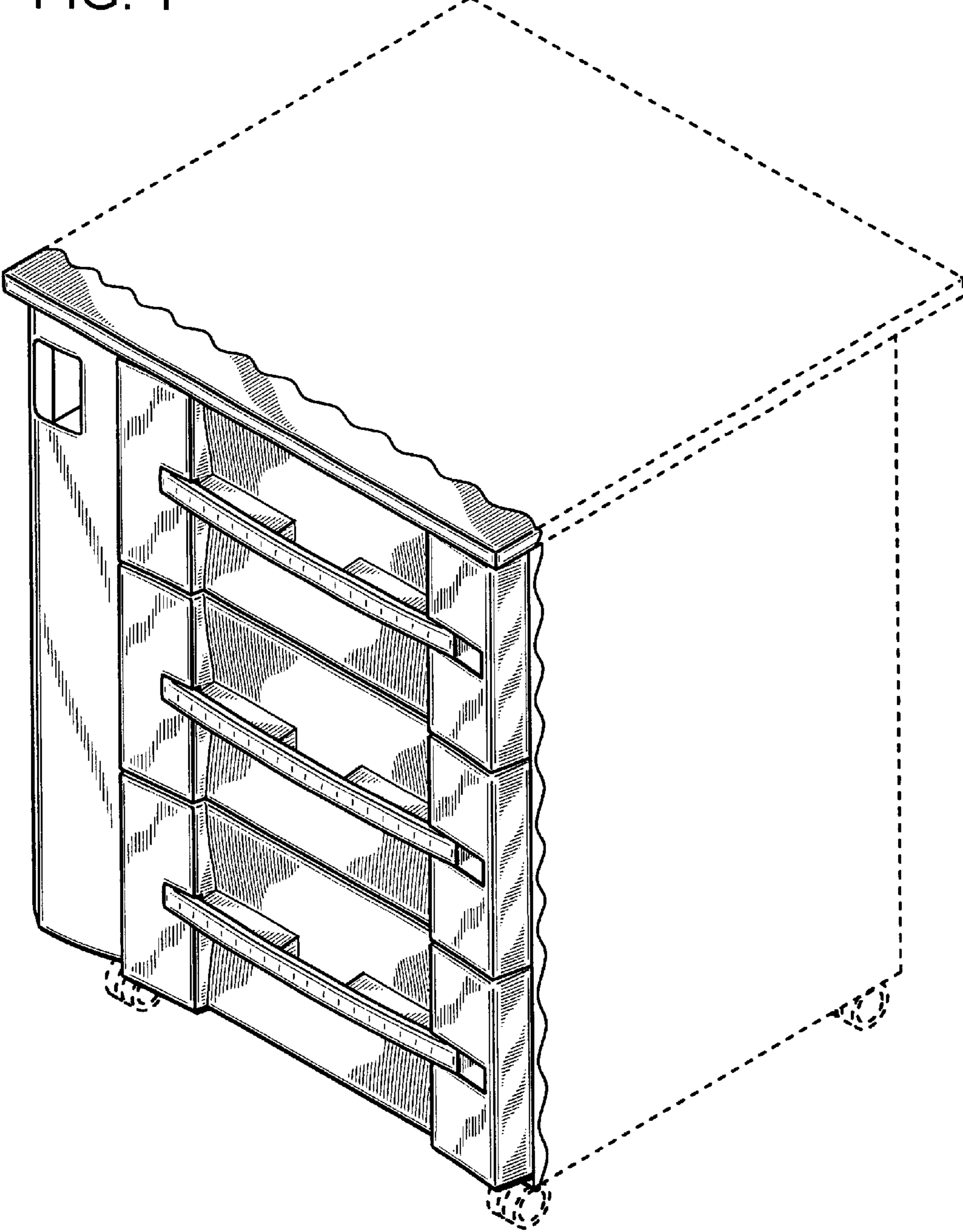


FIG. 2

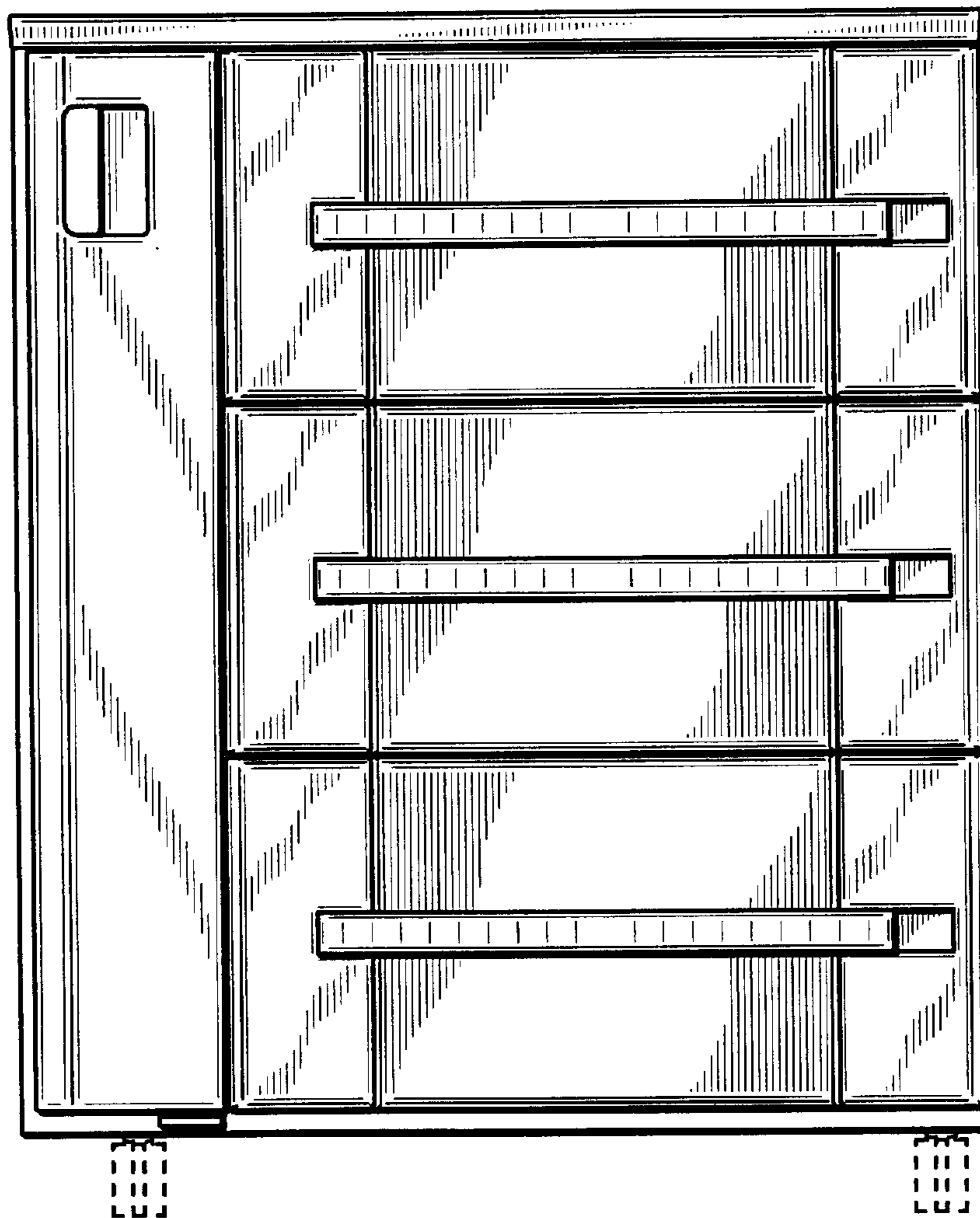


FIG. 3

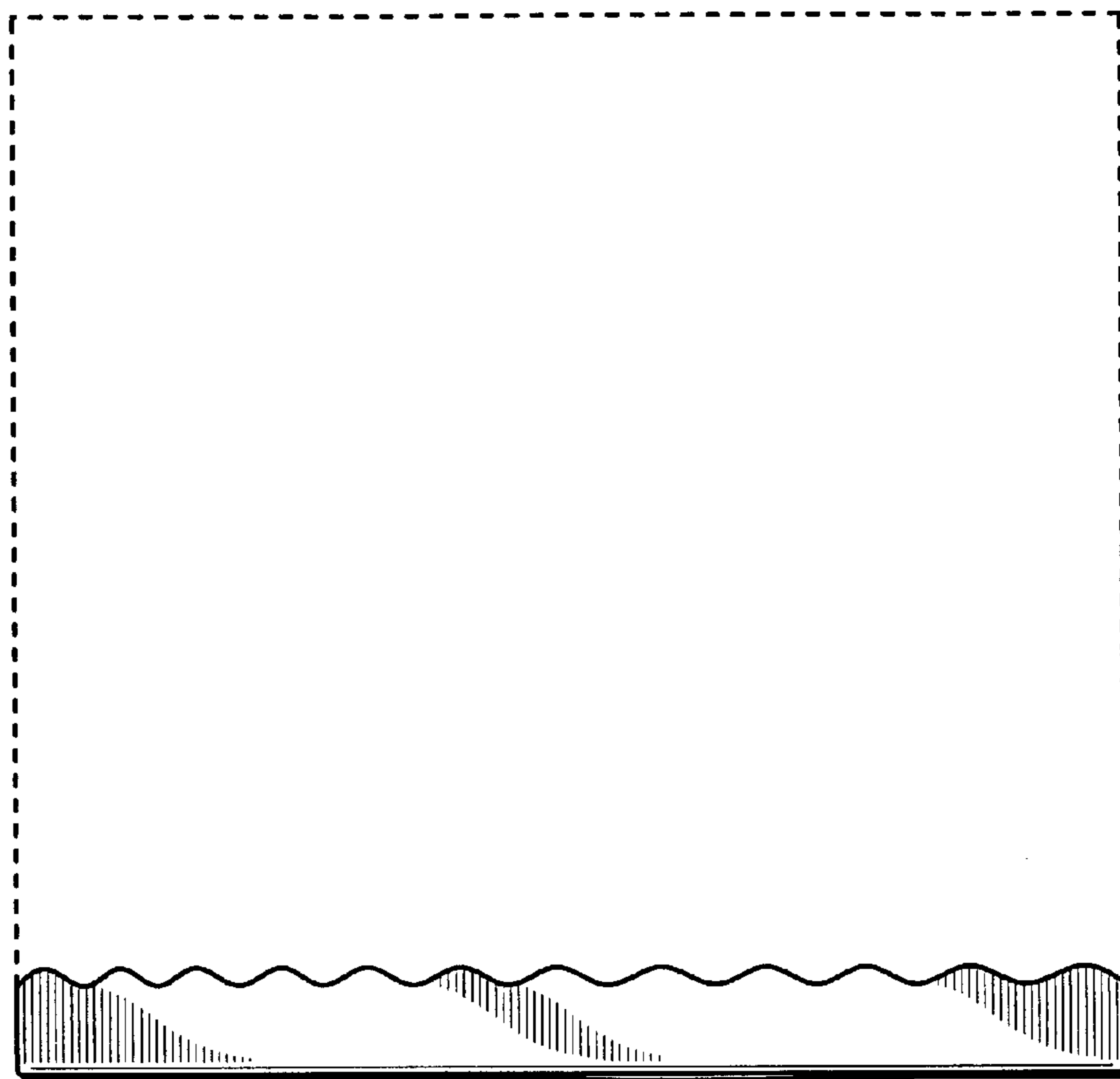


FIG. 4

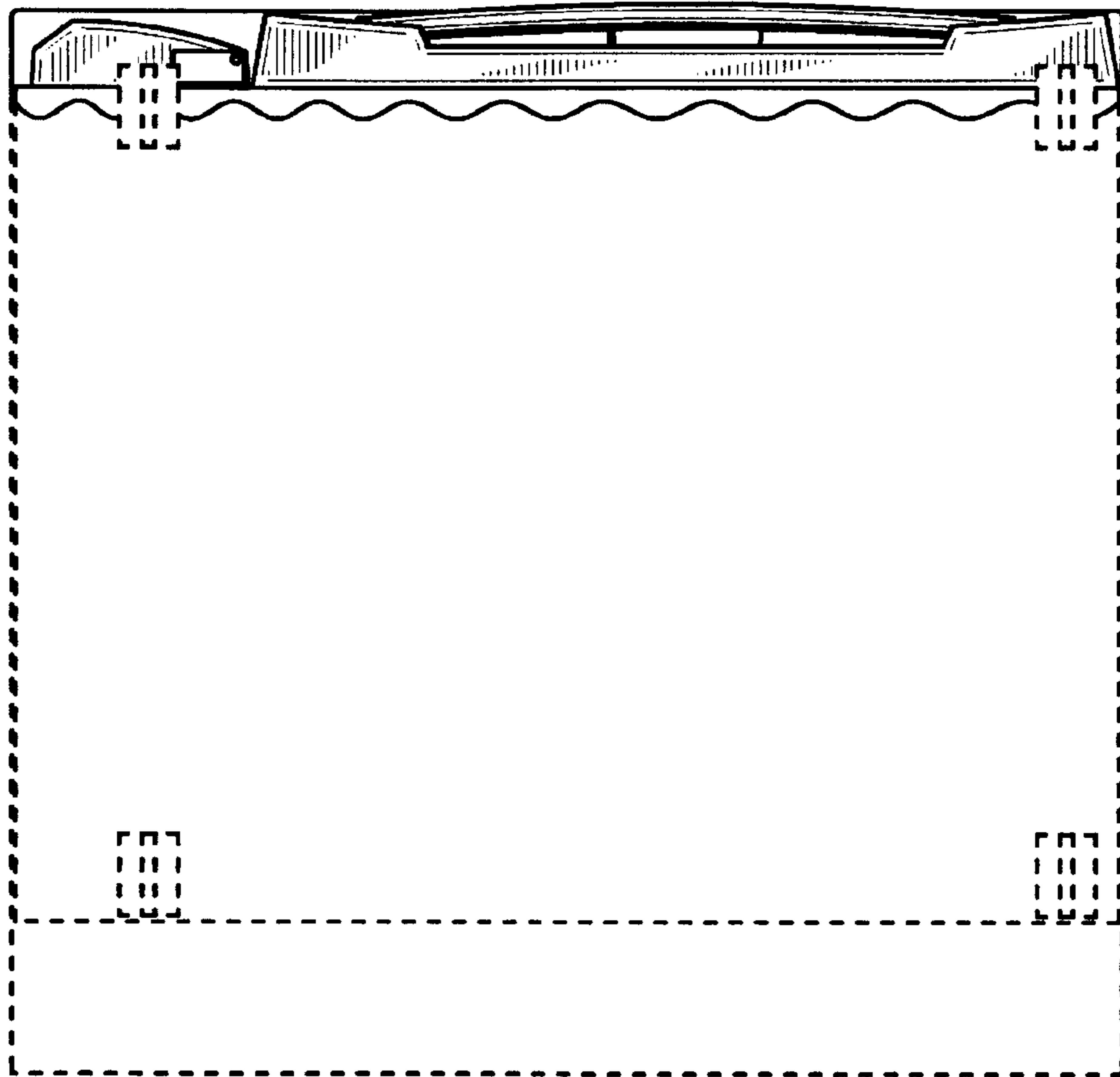


FIG. 5

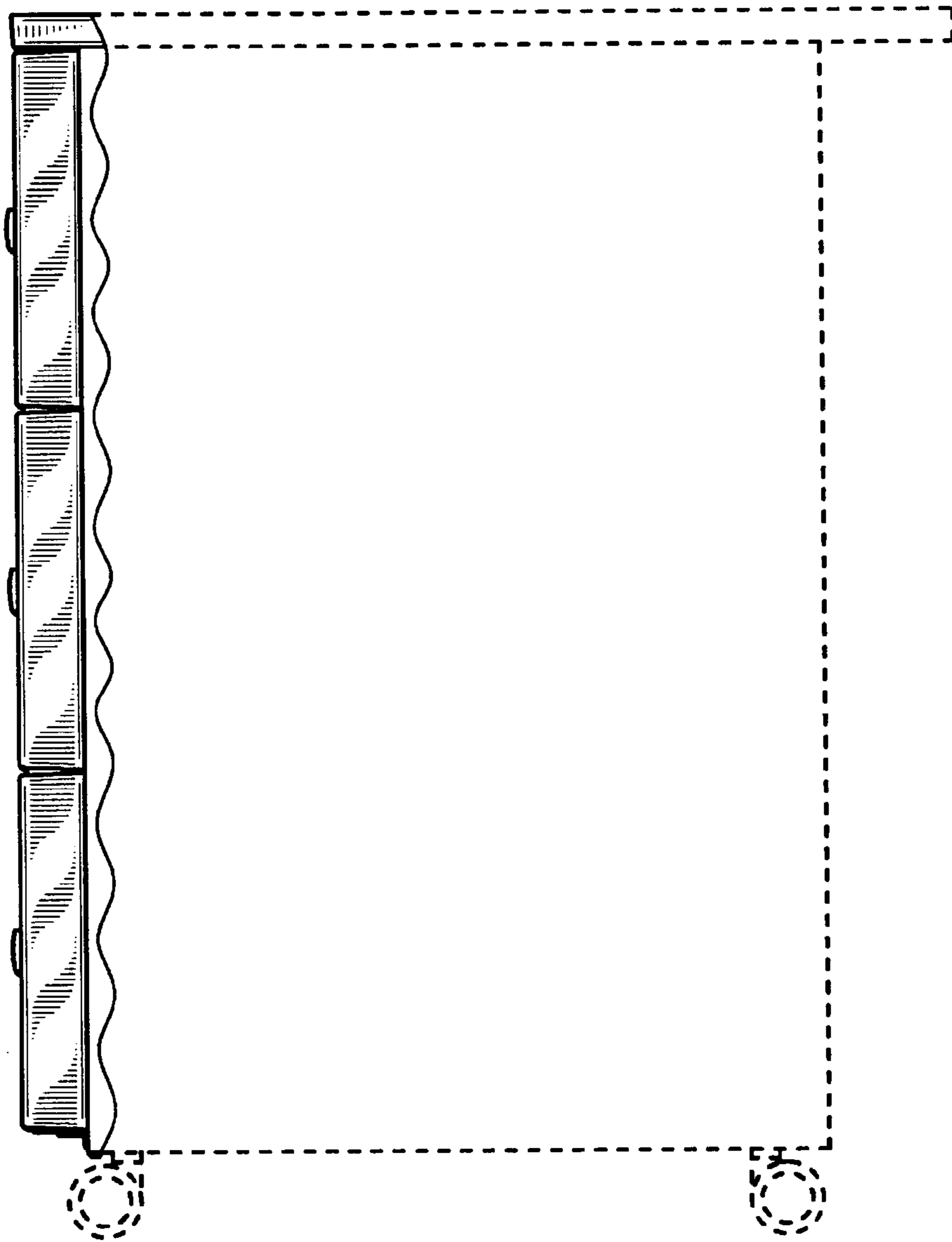


FIG. 6

