



US00D537473S

(12) **United States Design Patent**  
**Takahashi et al.**

(10) **Patent No.:** **US D537,473 S**

(45) **Date of Patent:** **\*\* Feb. 27, 2007**

(54) **FRONT PANEL PORTION OF A PAPER FEED CASSETTE**

(75) Inventors: **Noriaki Takahashi**, Tokyo (JP);  
**Takanori Kanda**, Hino (JP); **Daisuke Ueda**, Hachioji (JP); **Takanobu Ohba**, Tokyo (JP)

(73) Assignee: **Konica Minolta Business Technologies, Inc.**, Tokyo (JP)

(\*\*) Term: **14 Years**

(21) Appl. No.: **29/263,489**

(22) Filed: **Jul. 25, 2006**

- D284,386 S 6/1986 Saito
- D286,786 S 11/1986 Serbinski et al.
- D328,757 S 8/1992 Katada
- D336,104 S \* 6/1993 Hiroki et al. .... D18/39
- D350,767 S 9/1994 Kojima et al.
- D366,896 S 2/1996 Isomoto et al.
- D404,418 S \* 1/1999 Takeuchi ..... D18/39
- D413,350 S 8/1999 Sanaka
- D421,043 S \* 2/2000 Shibata et al. .... D18/39
- D425,931 S 5/2000 Brown et al.
- D428,914 S 8/2000 Kabumoto et al.
- D436,370 S \* 1/2001 Agata et al. .... D18/39
- D439,605 S 3/2001 Ichi et al.
- D443,886 S 6/2001 Kabumoto et al.
- D458,958 S 6/2002 Agata
- D486,852 S \* 2/2004 Shiozaki ..... D18/39
- D511,185 S \* 11/2005 Rieck ..... D18/39

**Related U.S. Application Data**

(62) Division of application No. 29/224,746, filed on Mar. 8, 2005, now Pat. No. Des. 529,077.

(30) **Foreign Application Priority Data**

- Sep. 8, 2004 (JP) ..... 2004-027321
- Sep. 8, 2004 (JP) ..... 2004-027324
- Sep. 8, 2004 (JP) ..... 2004-027325

(51) **LOC (8) Cl.** ..... **16-03**

(52) **U.S. Cl.** ..... **D18/44; D18/39**

(58) **Field of Classification Search** ..... D18/36-41, D18/43-49, 56; D14/462-471; 222/DIG. 1; 355/97, 112; 399/16-23, 361, 363, 381-384, 399/388-391, 393; 271/3.02, 3.08, 18, 145, 271/160, 171, 226, 241, 264

See application file for complete search history.

(56) **References Cited**

**U.S. PATENT DOCUMENTS**

D280,629 S 9/1985 Goto et al.

\* cited by examiner

*Primary Examiner*—Robert M. Spear

*Assistant Examiner*—Garth Rademaker

(74) *Attorney, Agent, or Firm*—Buchanan Ingersoll & Rooney PC

(57) **CLAIM**

The ornamental design for a front panel portion of a paper feed cassette, as shown and described.

**DESCRIPTION**

FIG. 1 is a rear perspective view of a front panel portion of a paper feed cassette showing our new design; FIG. 2 is a front elevational view thereof; FIG. 3 is a top plan view thereof; FIG. 4 is a bottom plan view thereof; FIG. 5 is a right side elevational view thereof; and, FIG. 6 is a left side elevational view thereof. The broken line showing in the figures is for illustrational purposes only and forms no part of the claimed design.

**1 Claim, 6 Drawing Sheets**

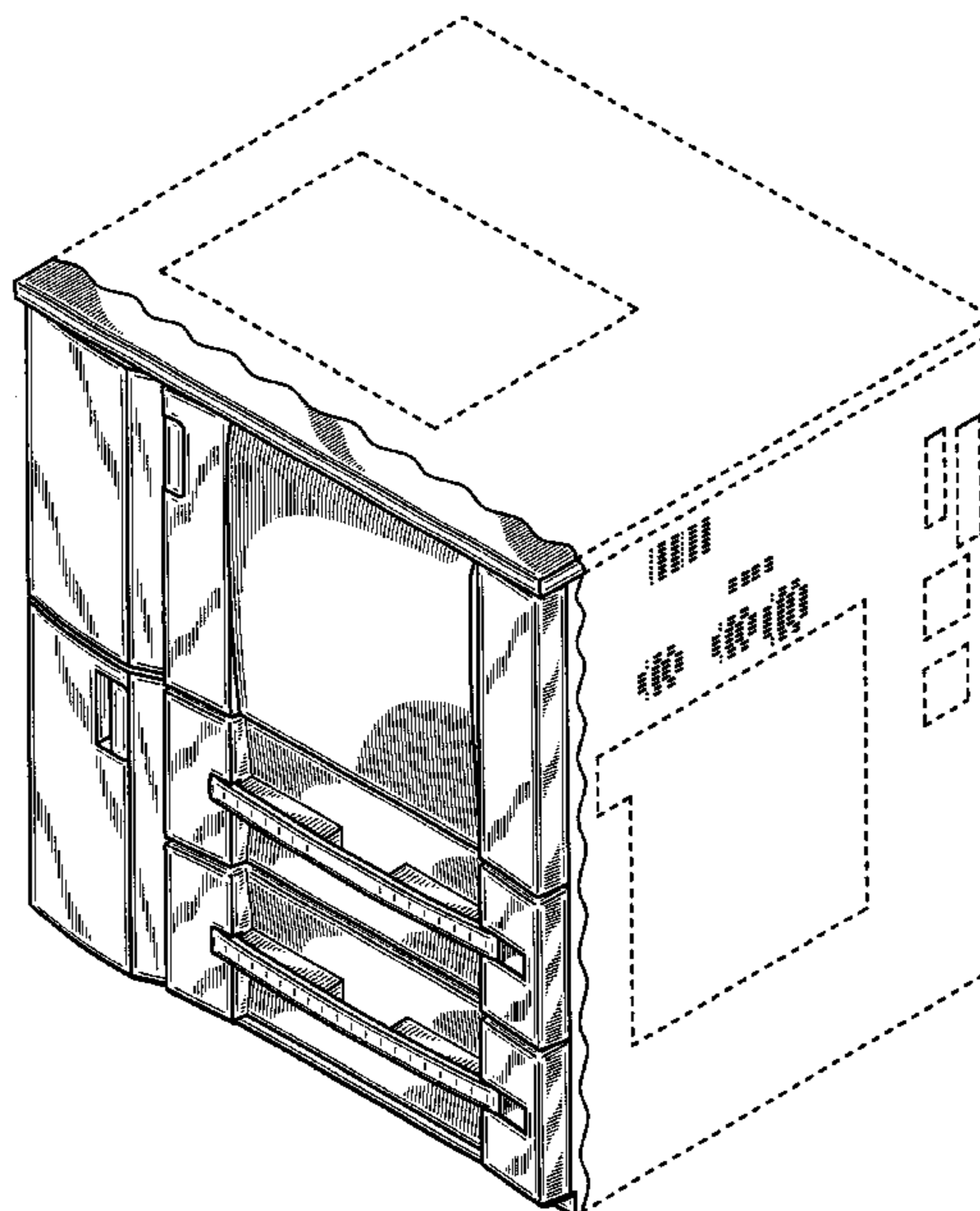


FIG. 1

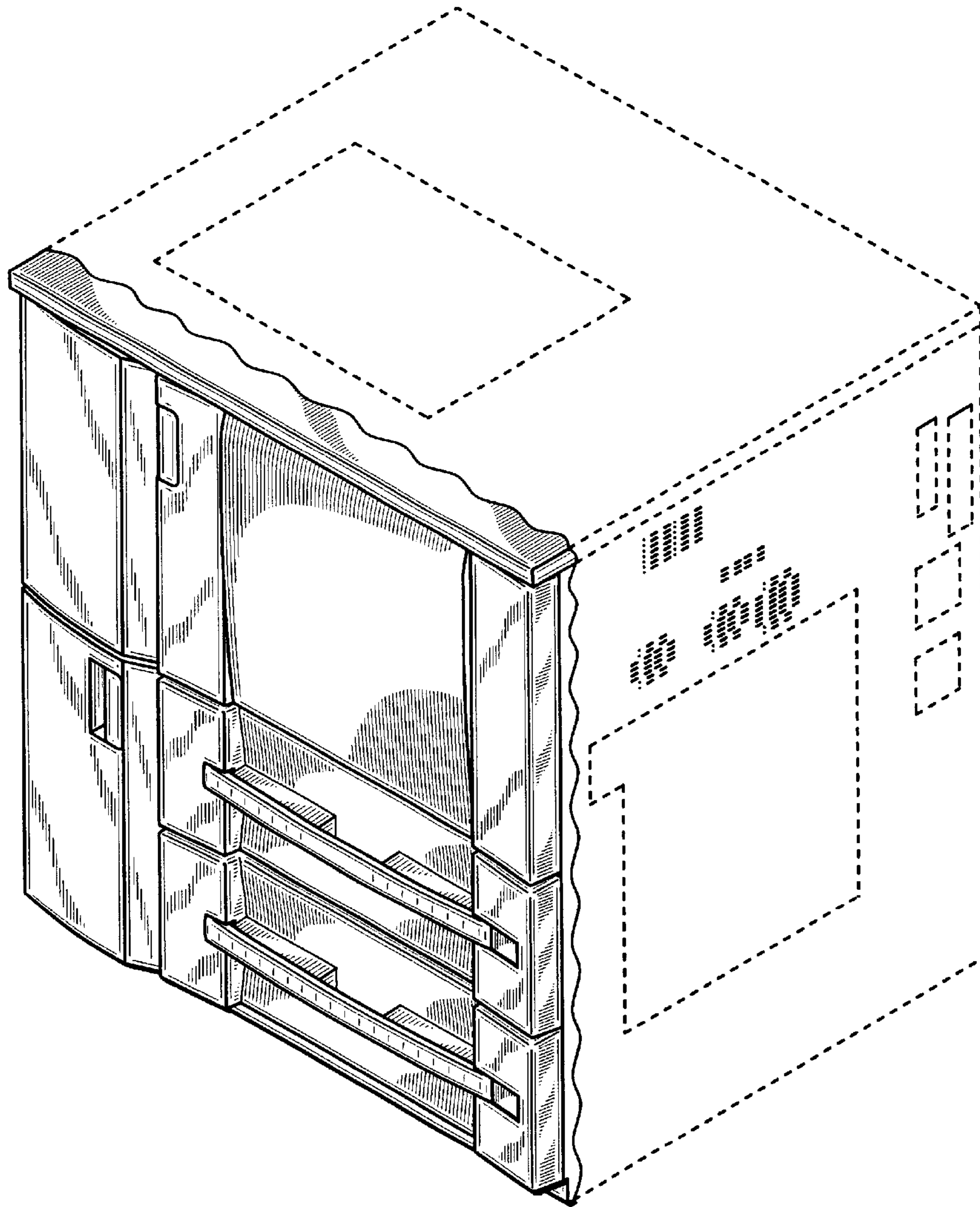


FIG. 2

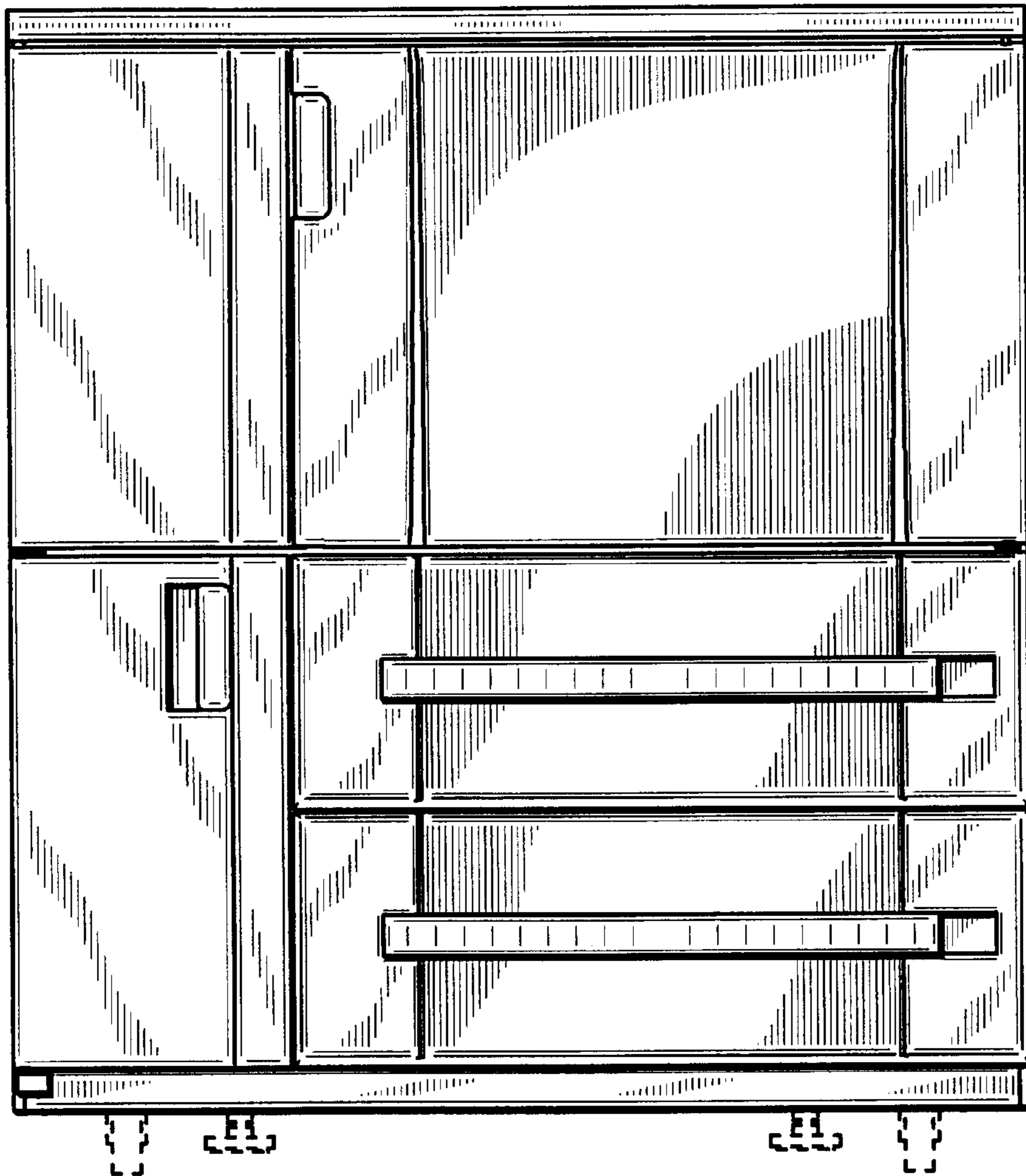


FIG. 3

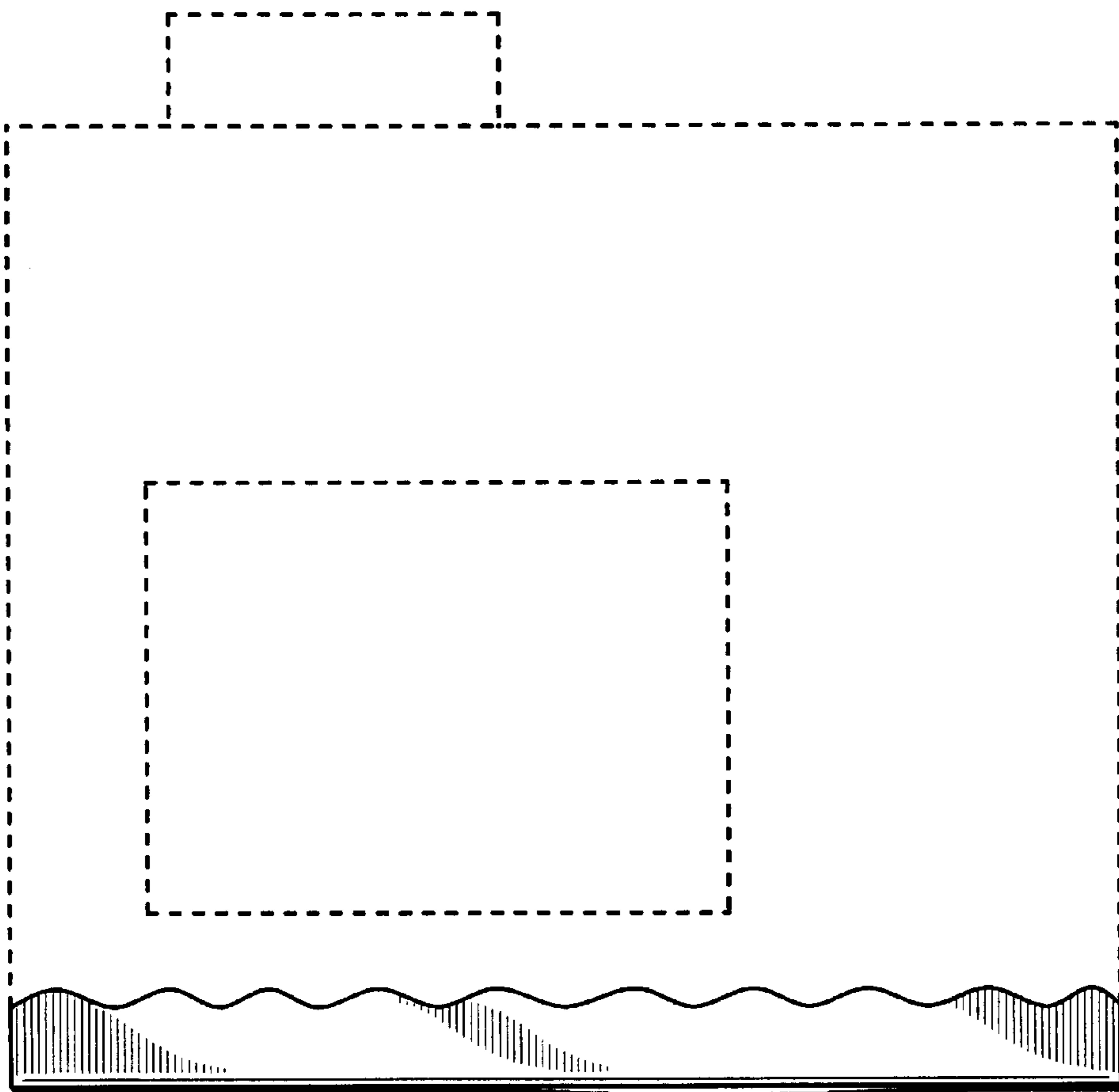


FIG. 4

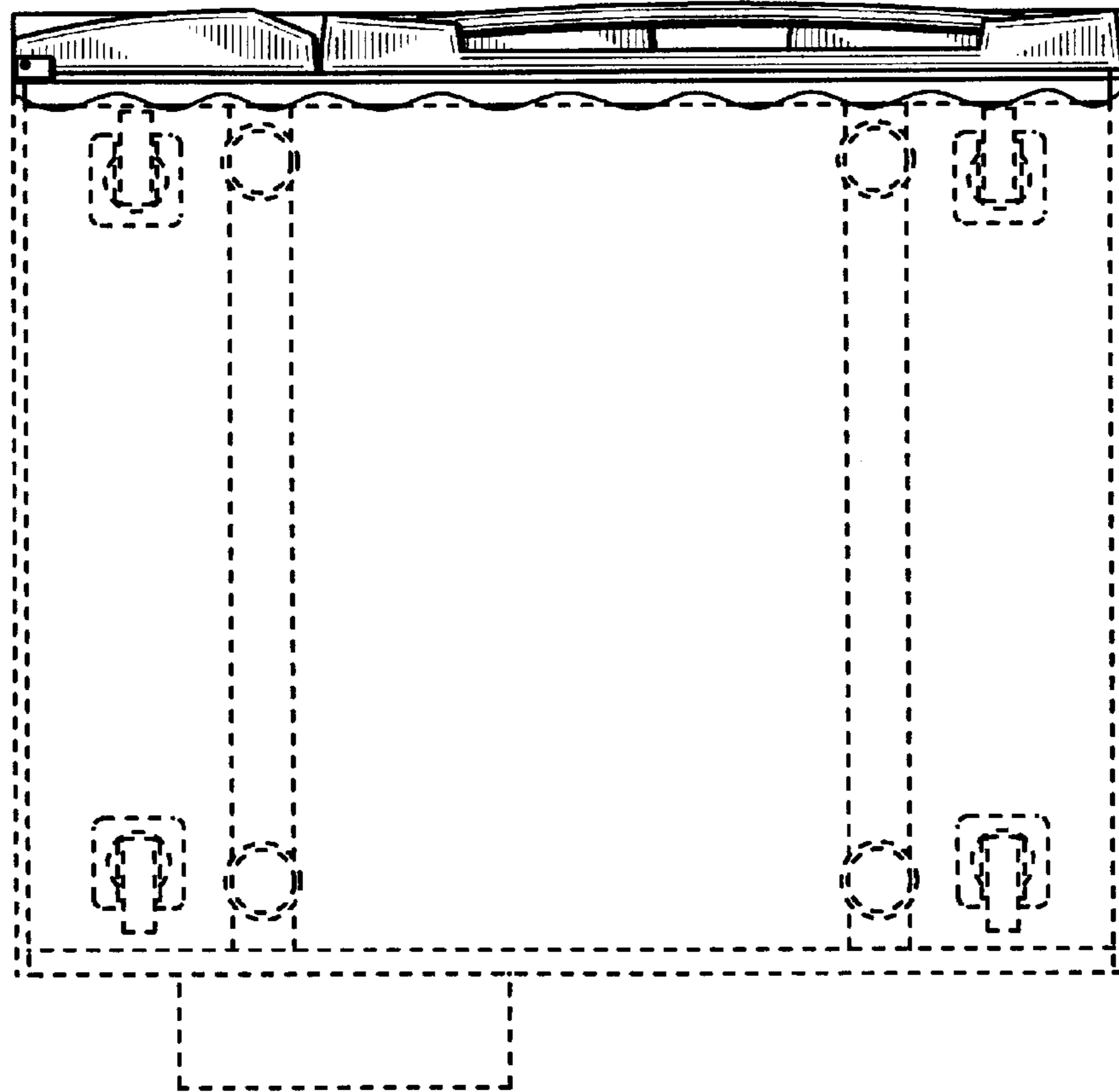


FIG. 5

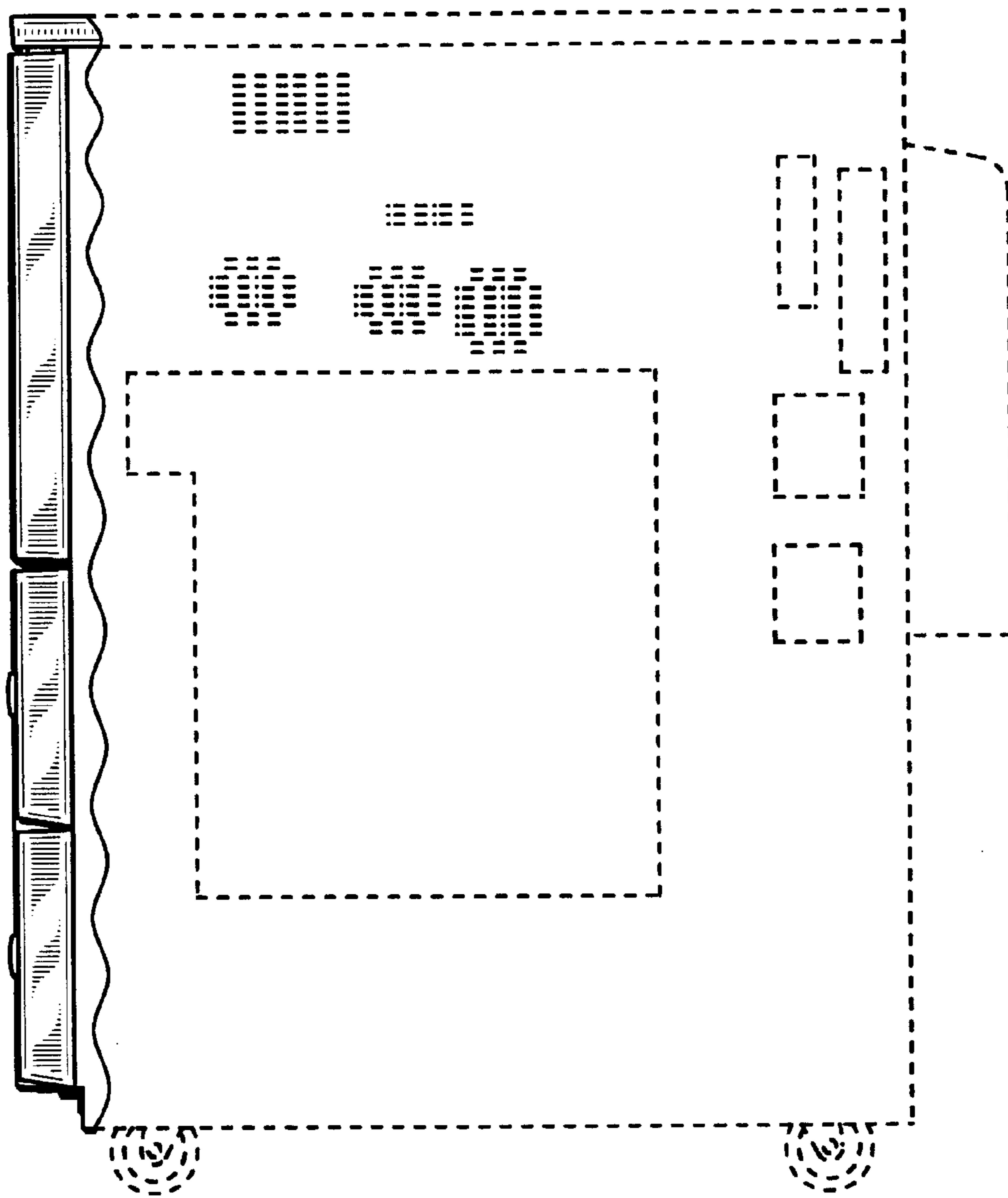


FIG. 6

