



US00D537469S

(12) **United States Design Patent** (10) **Patent No.:** **US D537,469 S**
Magee et al. (45) **Date of Patent:** **** Feb. 27, 2007**

(54) **VOTING TERMINAL AND KEYPAD**

(75) Inventors: **Paul Magee**, North Canton, OH (US);
Donald S Nelson, Jr., Akron, OH (US);
Dave Barker, North Canton, OH (US);
Kevin Liesner, Massillon, OH (US);
Phil Hlas, Cuyahoga Falls, OH (US);
Wes Rinker, Cortland, OH (US); **Jeff Walker**, Canton, OH (US)

4,445,731 A * 5/1984 Ahmann D18/6
4,649,264 A * 3/1987 Carson 235/54 R
D410,499 S * 6/1999 Smith et al. D21/329
D447,137 S * 8/2001 Hultzman D14/336
D474,467 S * 5/2003 Zuege et al. D14/371
D475,219 S * 6/2003 McClure et al. D6/421
D479,642 S * 9/2003 Magee et al. D99/28
6,827,262 B2 * 12/2004 McClure et al. 235/386
6,983,879 B2 * 1/2006 Ramachandran et al. ... 235/379
D515,619 S * 2/2006 Magee et al. D18/6

(73) Assignee: **Diebold Election Systems, Inc.**, Allen, TX (US)

* cited by examiner

(**) Term: **14 Years**

Primary Examiner—Robert M. Spear
Assistant Examiner—Garth Rademaker

(21) Appl. No.: **29/254,483**

(74) *Attorney, Agent, or Firm*—Nancy Lynn Reeves; Ralph E. Jocke; Walker & Jocke

(22) Filed: **Feb. 23, 2006**

Related U.S. Application Data

(63) Continuation-in-part of application No. 29/209,555, filed on Jul. 15, 2004, and a continuation-in-part of application No. 29/209,556, filed on Jul. 15, 2004.

(51) **LOC (8) Cl.** **18-01**

(52) **U.S. Cl.** **D18/6**

(58) **Field of Classification Search** D18/1,
D18/2, 6, 7, 11, 12, 12.1, 12.2, 12.3; D14/138,
D14/147, 191, 193, 196–198, 341–346, 371,
D14/383, 388, 391–399; D21/512; D10/2,
D10/31, 104; D6/421, 429; D99/28; 235/58 R,
235/59 R, 59 A, 59 BC, 59 BD, 59 BE,
235/59 BF, 59 CP, 59 BG, 59 TP, 60.22,
235/386; 455/550.1; 708/100, 105, 130
See application file for complete search history.

(56) **References Cited**

U.S. PATENT DOCUMENTS

3,333,766 A * 8/1967 Crossland et al. D18/6

(57) **CLAIM**

We claim the ornamental design for a voting terminal and keypad, as shown and described.

DESCRIPTION

FIG. 1 is a front elevation view of a voting terminal and keypad showing our new design;

FIG. 2 is a front perspective view thereof;

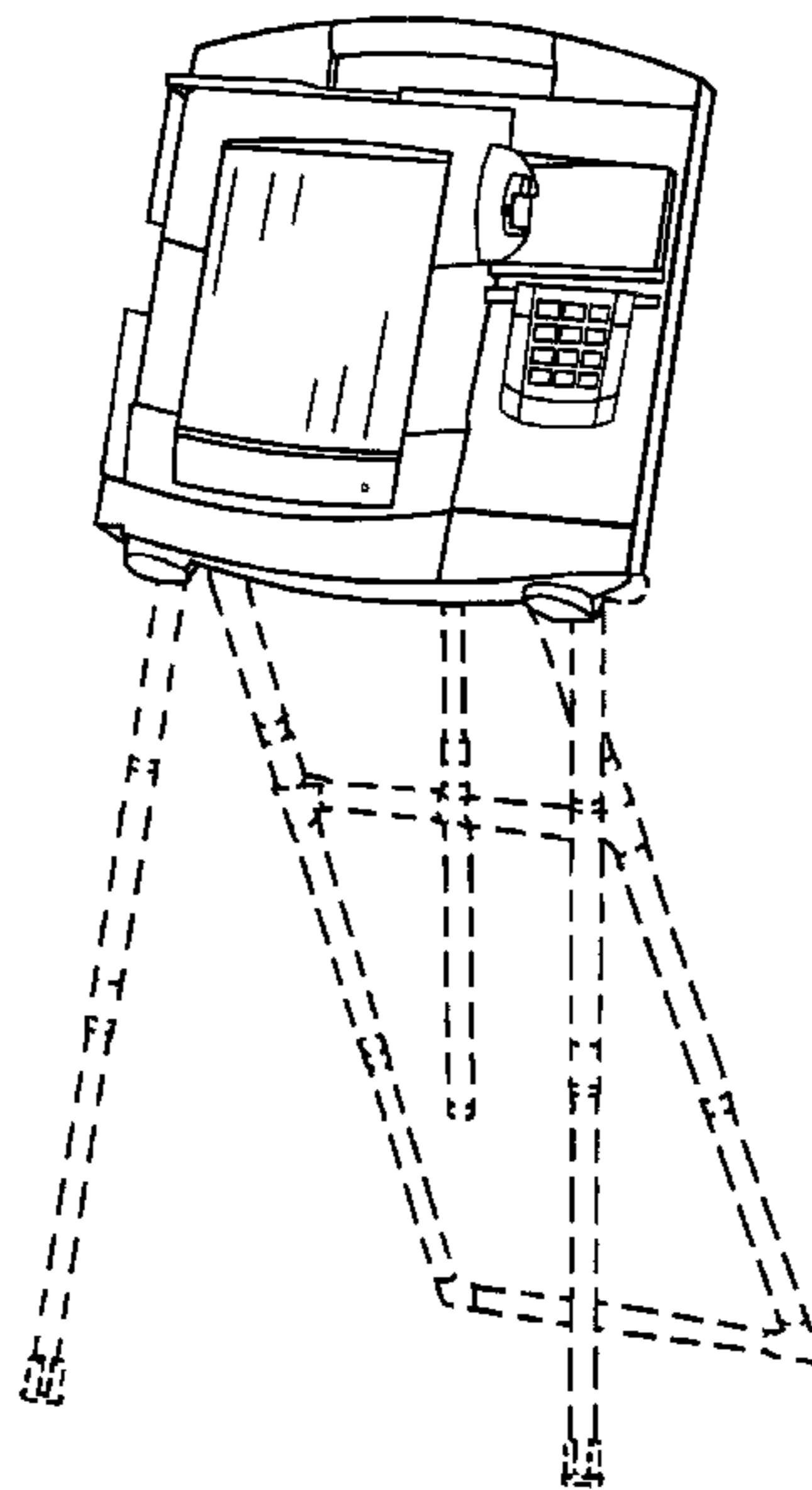
FIG. 3 is a left side elevation view thereof;

FIG. 4 is a top plan view thereof; and,

FIG. 5 is a second front perspective view thereof.

The stand and doors shown in broken lines and described are for illustrative purposes only and form no part of the claimed design.

1 Claim, 5 Drawing Sheets



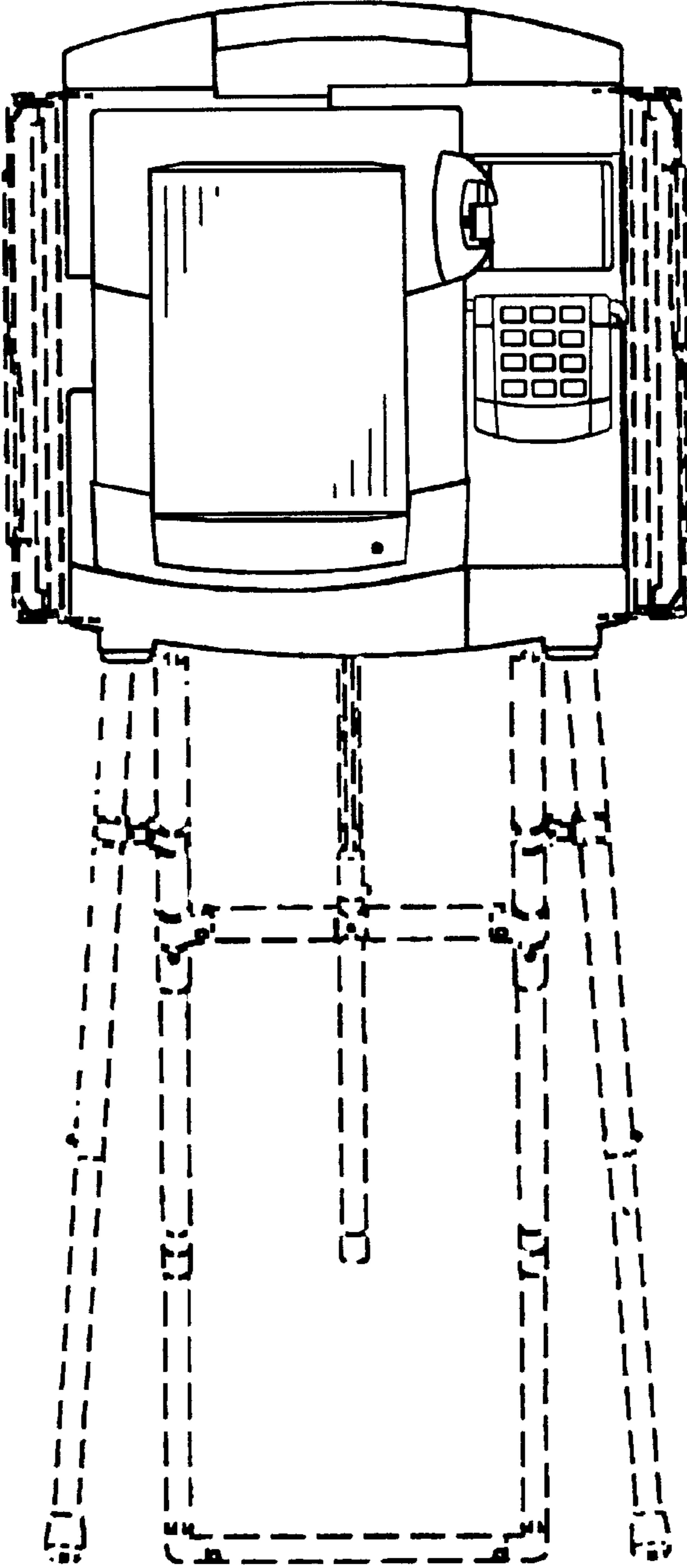


FIG. 1

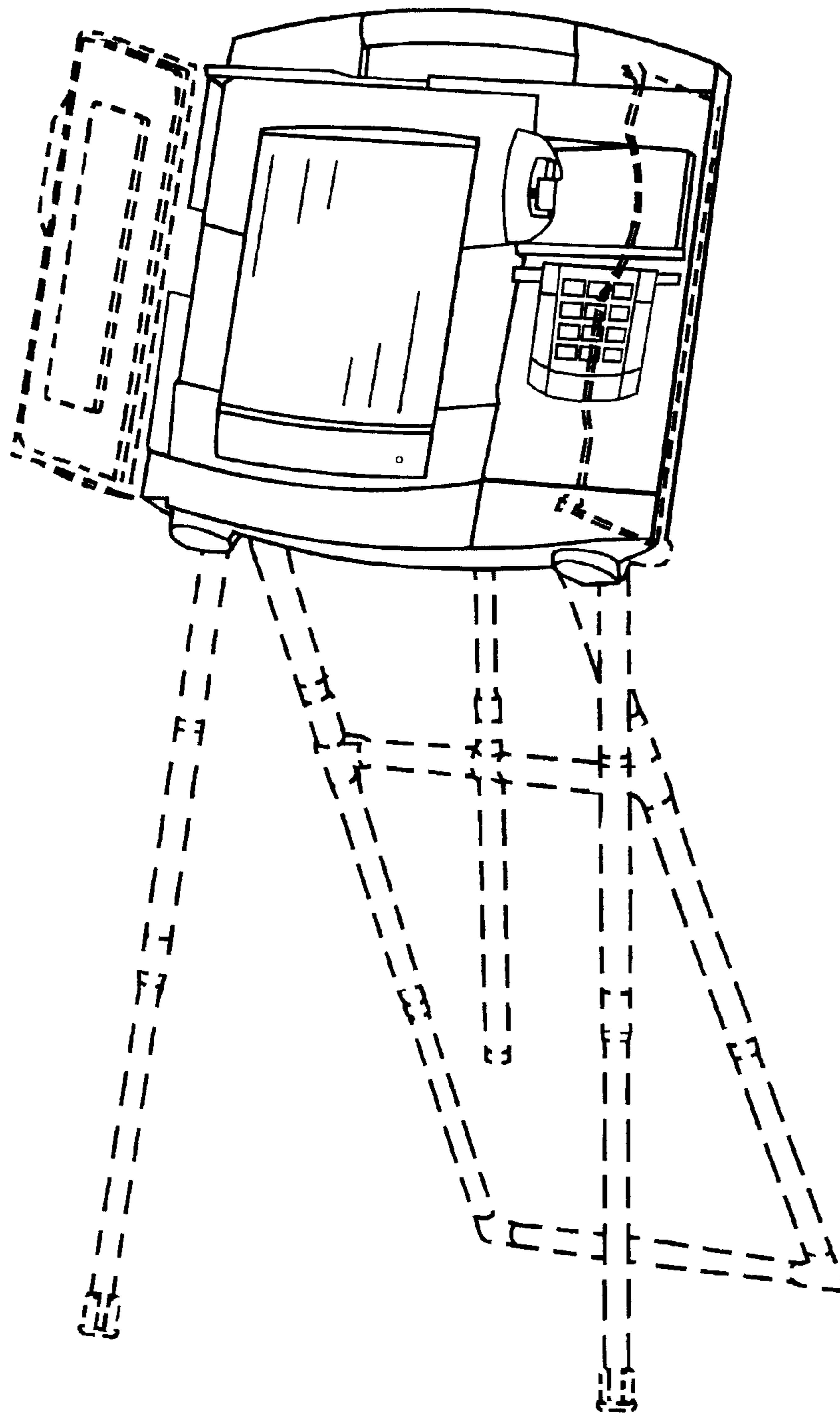


FIG. 2

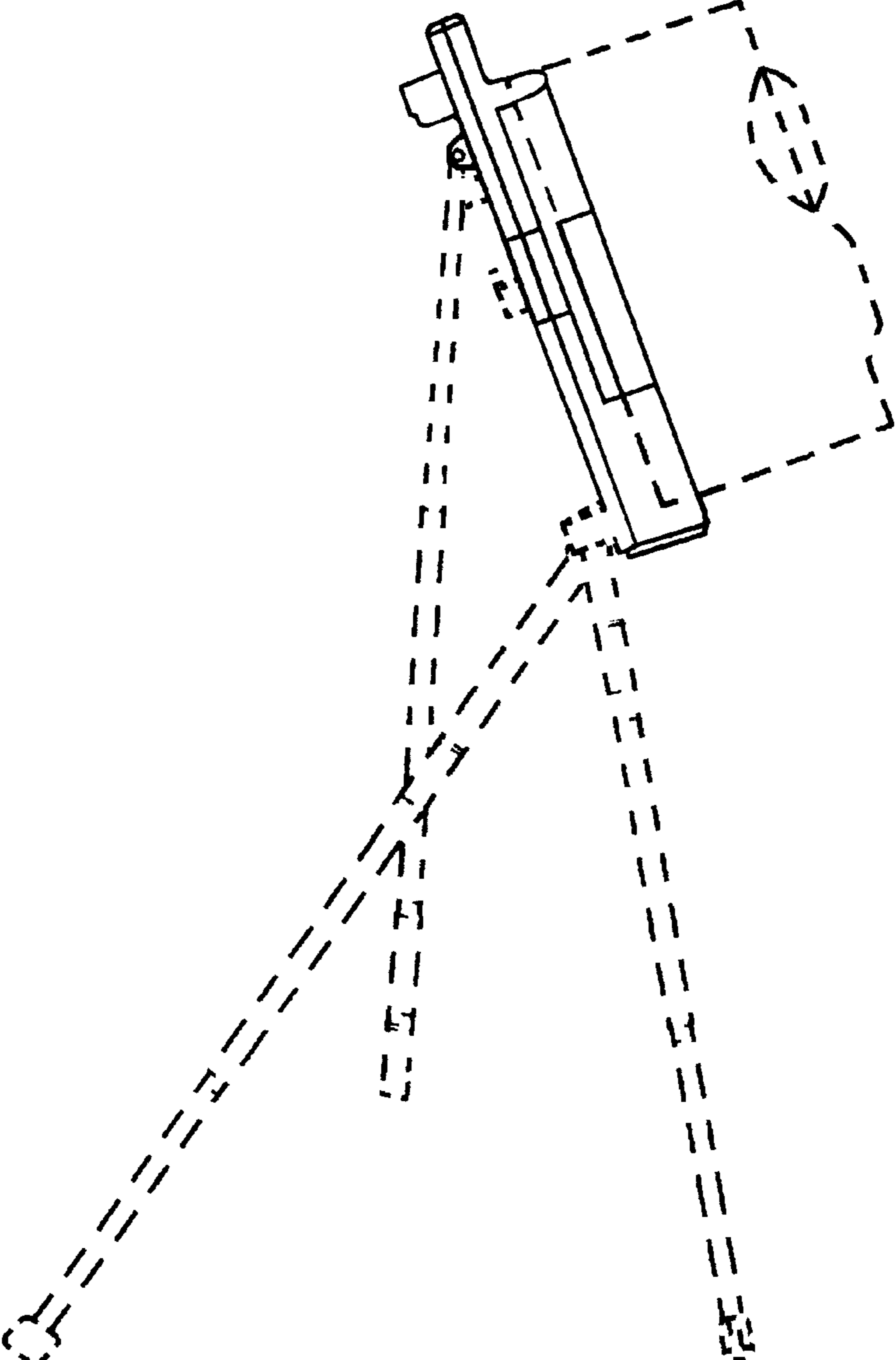


FIG. 3

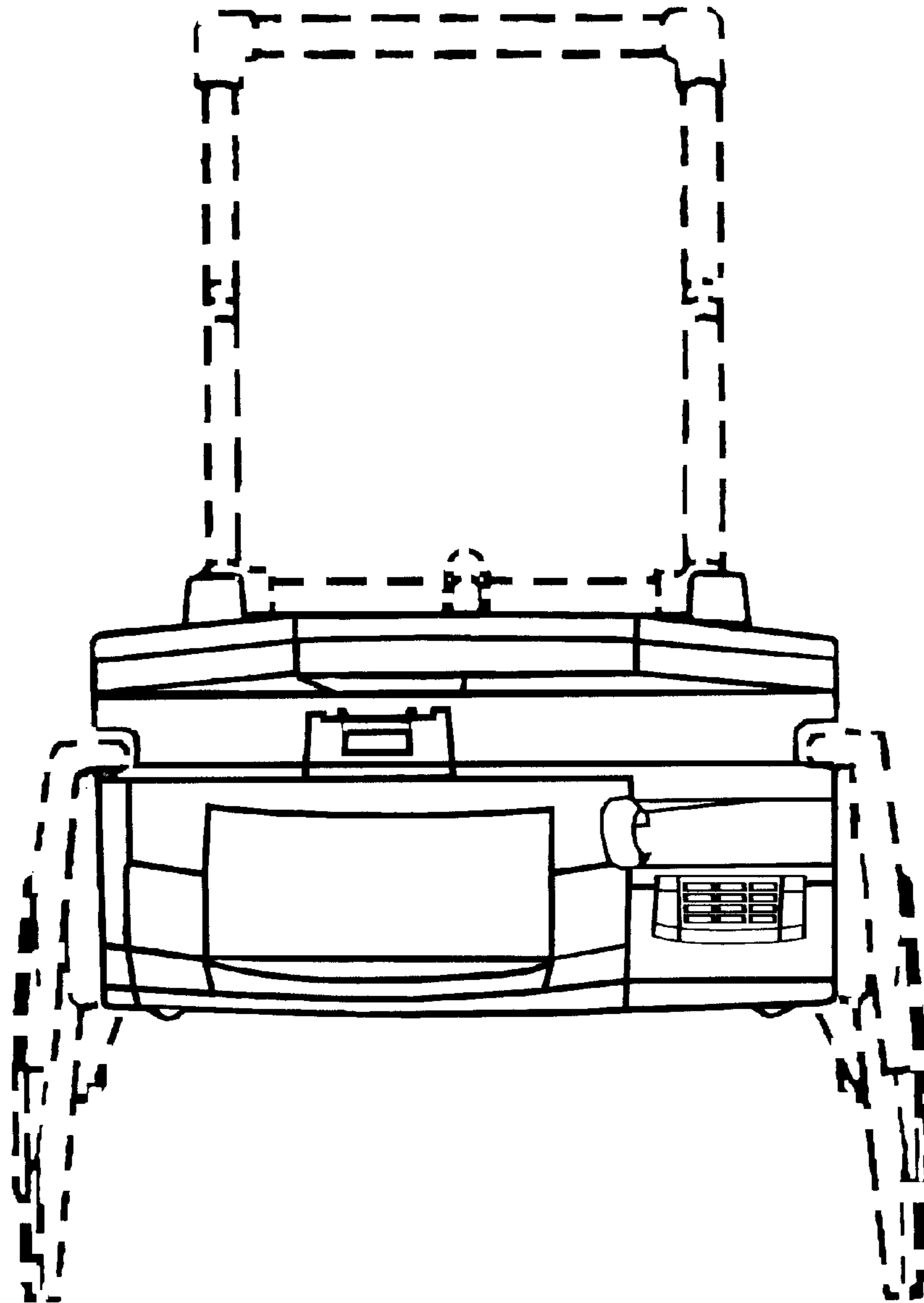


FIG. 4

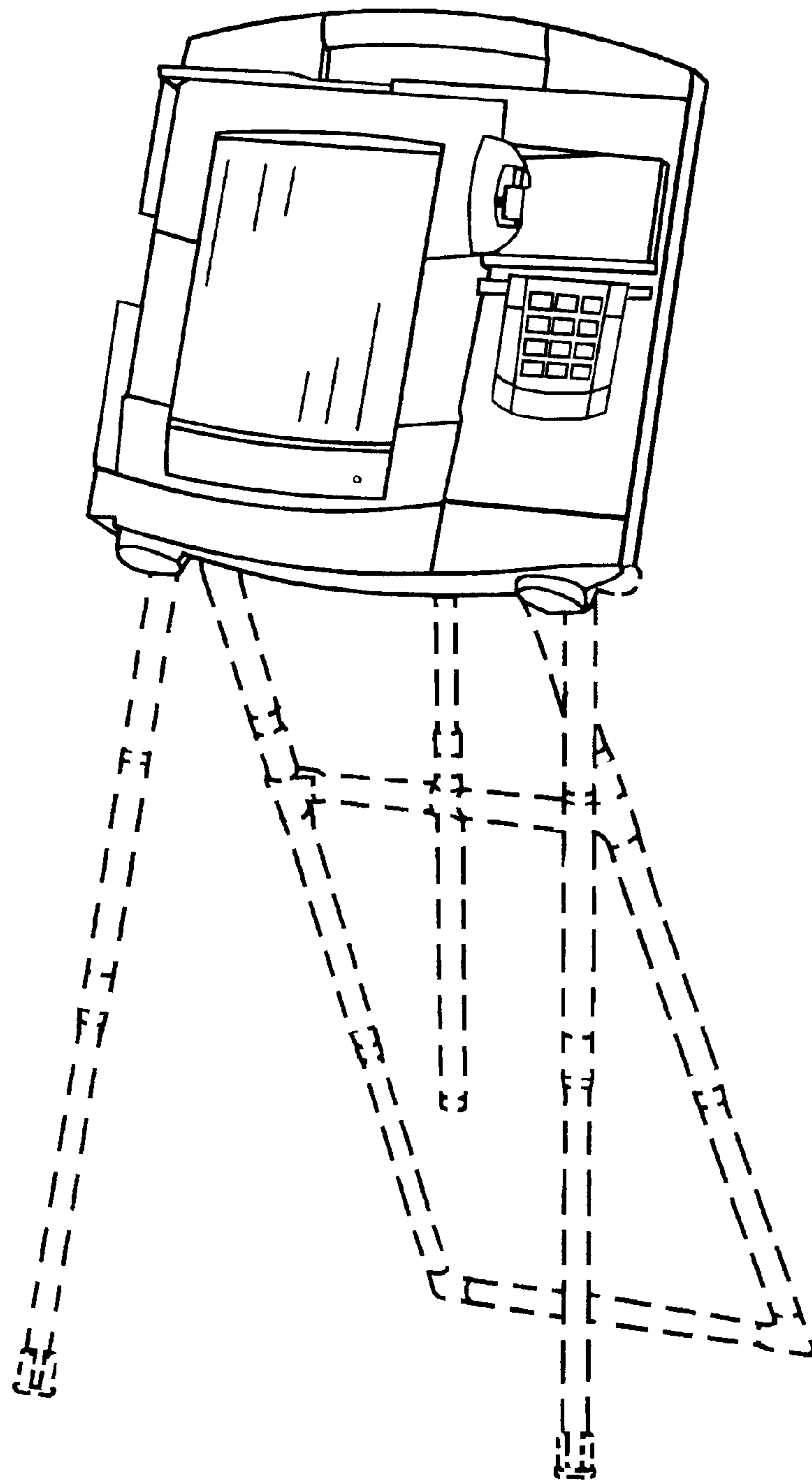


FIG. 5