



US00D537466S

(12) **United States Design Patent**
Kratz

(10) **Patent No.:** **US D537,466 S**

(45) **Date of Patent:** **** Feb. 27, 2007**

(54) **PROTECTIVE EYE GOGGLE**

(75) Inventor: **Walter Kratz**, Eitorf (DE)

(73) Assignee: **JK-Holding GmbH**, Windhagen (DE)

(**) Term: **14 Years**

(21) Appl. No.: **29/211,005**

(22) Filed: **Aug. 10, 2004**

(30) **Foreign Application Priority Data**

Feb. 11, 2004 (DE) 4 04 00 941

(51) **LOC (8) Cl.** **16-06**

(52) **U.S. Cl.** **D16/311; D16/319; D16/325**

(58) **Field of Classification Search** D16/300,
D16/304, 306, 311, 319, 325; D14/372; D24/110.2;
D29/109-110; 2/426, 431, 440-443, 448;
351/158

See application file for complete search history.

(56) **References Cited**

U.S. PATENT DOCUMENTS

D179,019 S	*	10/1956	Mangan	D16/317
D204,564 S	*	4/1966	Carmichael	D16/325
D228,677 S	*	10/1973	Wichers	D16/315
4,602,856 A	*	7/1986	Marks	351/44
D325,590 S	*	4/1992	Galy	D16/311
D366,273 S	*	1/1996	Rucker	D16/306
D381,346 S	*	7/1997	Ronzani et al.	D16/130
D385,575 S	*	10/1997	Atabeyki	D16/325
D389,826 S	*	1/1998	Cousins	D14/135
D392,306 S	*	3/1998	Arnette	D16/326
6,081,934 A	*	7/2000	Stefanovsky et al.	2/431
D431,042 S	*	9/2000	Lin	D16/304

D445,820 S	*	7/2001	Kirchhuelbel et al.	D16/300
D453,024 S	*	1/2002	Bonnemere	D16/309
D461,486 S	*	8/2002	Katagiri et al.	D16/300
D513,031 S	*	12/2005	Travers et al.	D16/300
2003/0172444 A1	*	9/2003	Banks	2/443
2004/0221377 A1	*	11/2004	Banks	2/443
2005/0268386 A1	*	12/2005	Oishi et al.	2/448

OTHER PUBLICATIONS

Tanning Goggles. Pictured and downloaded at [http://www-canstockphoto.com/Tanning-Goggles-0015034.php](http://www.canstockphoto.com/Tanning-Goggles-0015034.php).
Goggles—Tanning Sunbed, Solarium and UVA Lamp Treatment (Pair). Downloaded Sep. 13, 2006 at [http://www-westons.com/acatalog/Online_Catalogue-Goggles_Tanning_19986.html](http://www.westons.com/acatalog/Online_Catalogue-Goggles_Tanning_19986.html).

* cited by examiner

Primary Examiner—Philip S. Hyder

Assistant Examiner—RoseLynne (Ulm) Cody

(74) *Attorney, Agent, or Firm*—Hodgson Russ LLP

(57) **CLAIM**

The ornamental design for a protective eye goggle, as shown and described.

DESCRIPTION

FIG. 1 is a rear elevational view of a protective eye goggle, showing another embodiment of my new design;
FIG. 2 is a top plan view thereof;
FIG. 3 is a top perspective view thereof;
FIG. 4 is a side elevational view thereof, the opposite side elevational view being identical;
FIG. 5 is a bottom plan view thereof; and,
FIG. 6 is a front elevational view thereof.

1 Claim, 6 Drawing Sheets

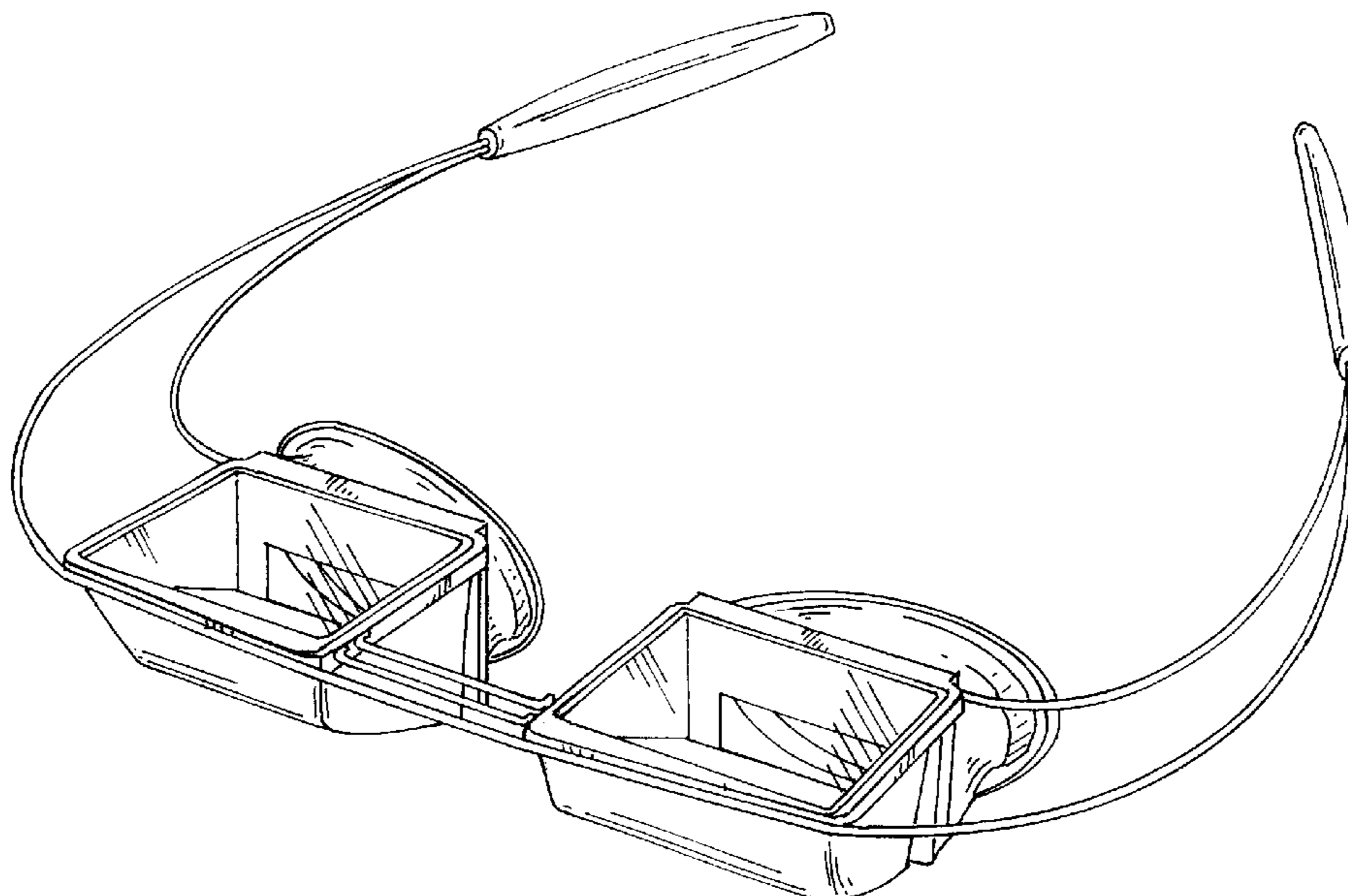


Figure 1

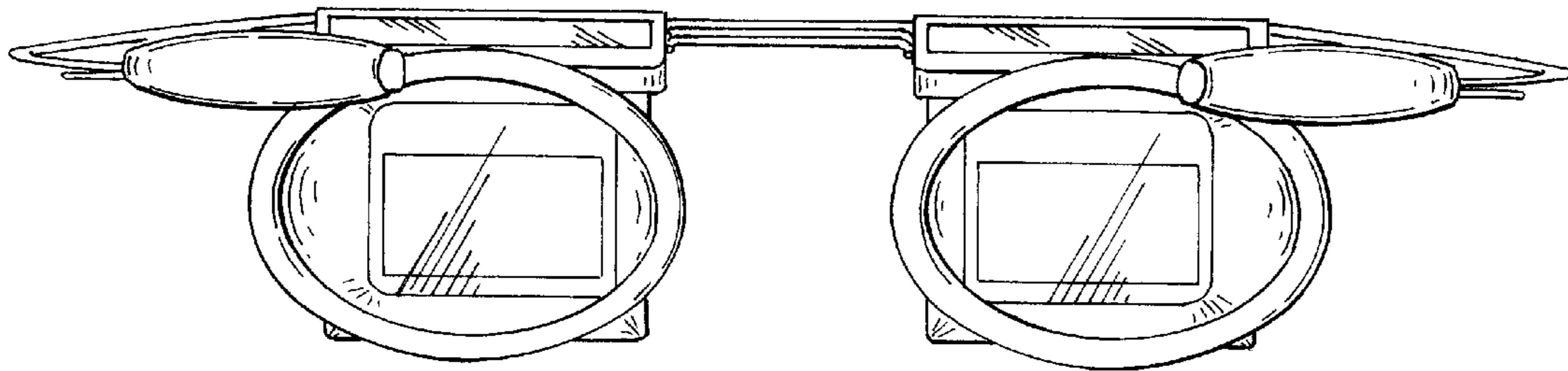


Figure 2

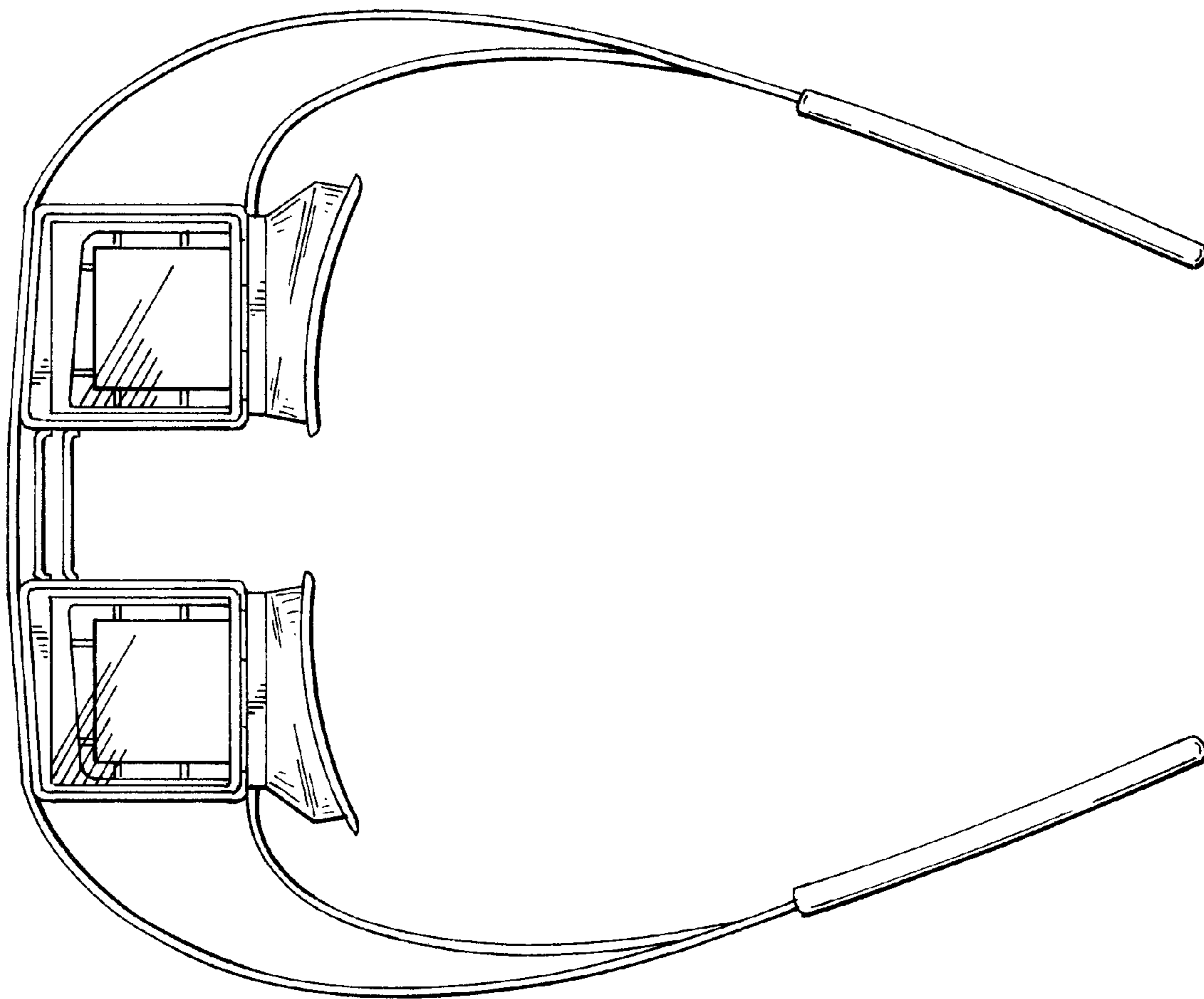


Figure 3

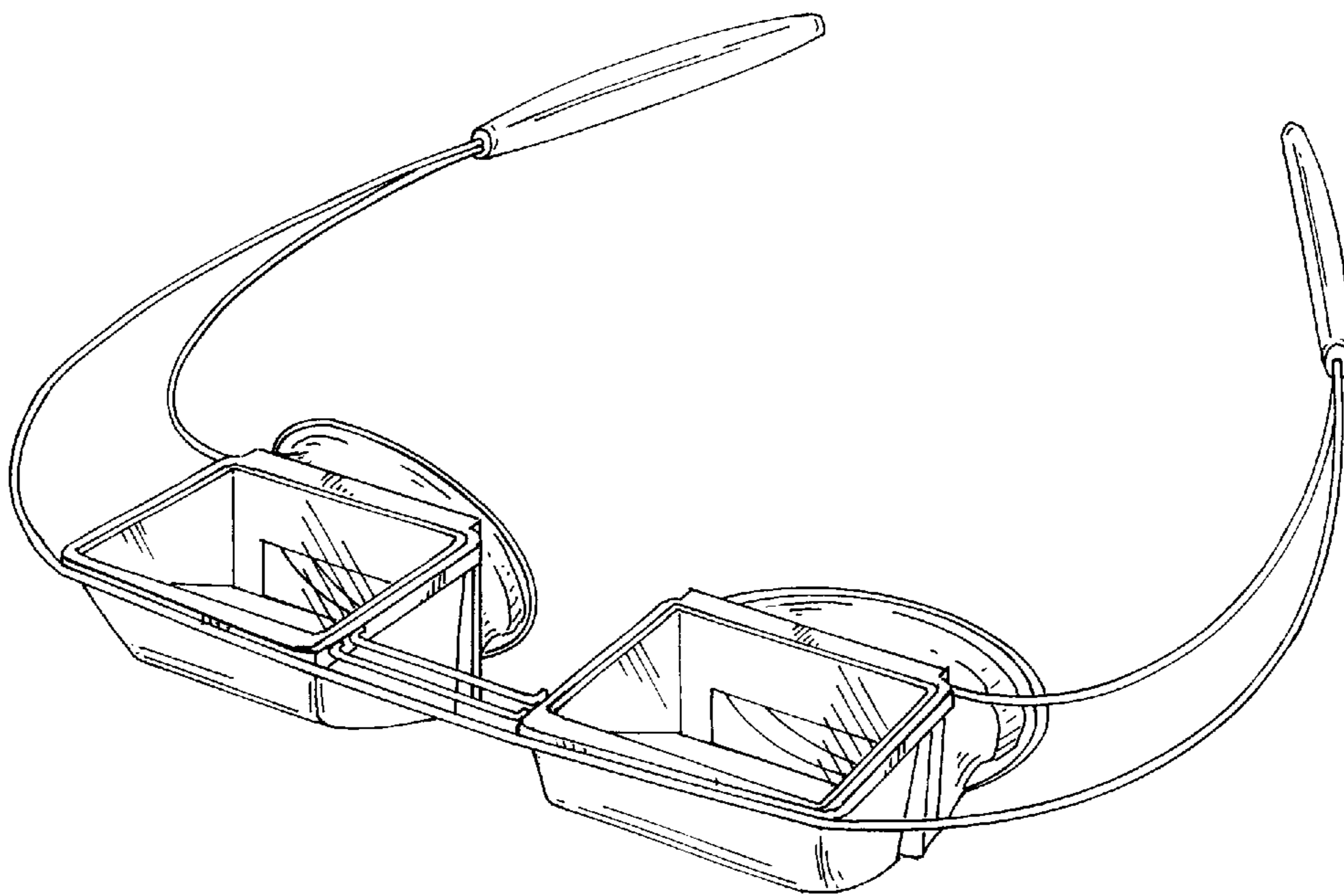


Figure 4

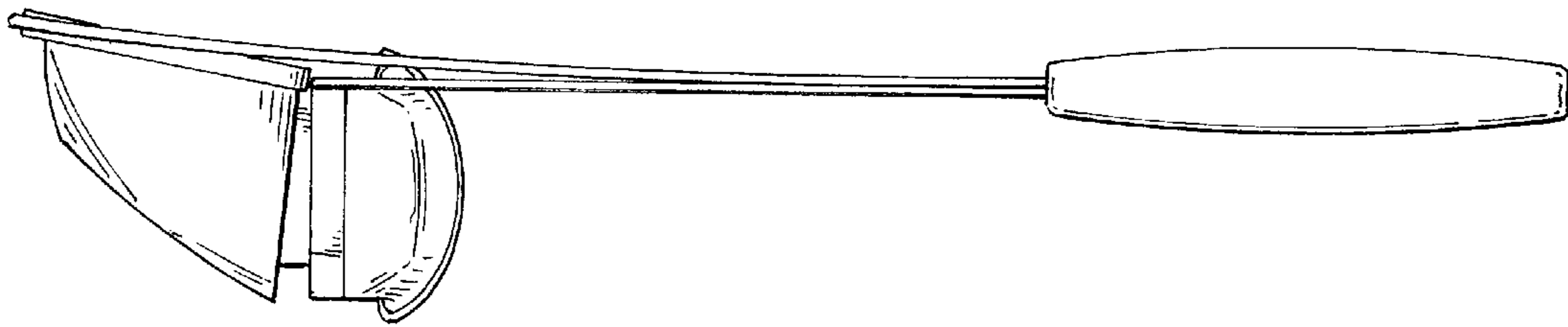


Figure 5

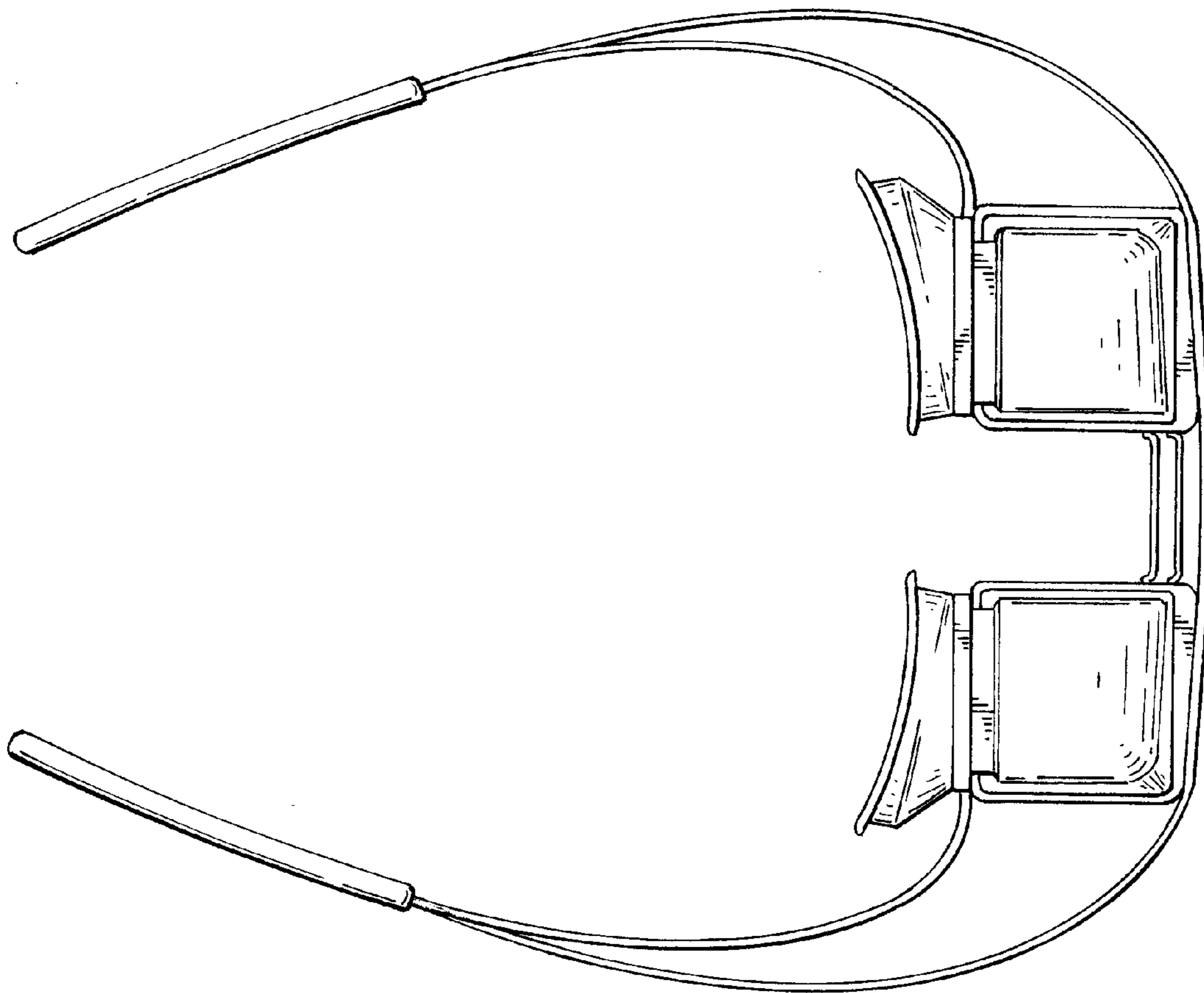


Figure 6

