



US00D537465S

(12) **United States Design Patent**
Tainaka

(10) **Patent No.:** **US D537,465 S**

(45) **Date of Patent:** **** Feb. 27, 2007**

(54) **DIGITAL CAMERA**

(75) Inventor: **Daisuke Tainaka**, Hachioji (JP)

(73) Assignee: **Olympus Corporation**, Tokyo (JP)

(**) Term: **14 Years**

(21) Appl. No.: **29/258,911**

(22) Filed: **Apr. 27, 2006**

Related U.S. Application Data

(62) Division of application No. 29/207,458, filed on Jun. 14, 2004.

(51) **LOC (8) Cl.** **16-05**

(52) **U.S. Cl.** **D16/219; D16/202; D16/200**

(58) **Field of Classification Search** D16/200–205,
D16/208, 218, 219; 348/373–376; 358/909.1;
396/535–541

See application file for complete search history.

(56) **References Cited**

U.S. PATENT DOCUMENTS

D451,117 S * 11/2001 Huthmaker D16/202

D466,539 S * 12/2002 Suzuki et al. D16/202

D484,520 S * 12/2003 Jin D16/202

D508,511 S * 8/2005 Christou et al. D16/218

D517,587 S * 3/2006 Eroma et al. D16/218

* cited by examiner

Primary Examiner—Adir Aronovich

(74) *Attorney, Agent, or Firm*—Hogan & Hartson LLP

(57) **CLAIM**

The ornamental design for a digital camera, as shown and described.

DESCRIPTION

FIG. 1 is a front perspective view of a digital camera showing my new design;

FIG. 2 is a front perspective view thereof showing a barrier in an opened state;

FIG. 3 is a top plan view of FIG. 1.

FIG. 4 is a left side elevational view thereof;

FIG. 5 is a front elevational view thereof;

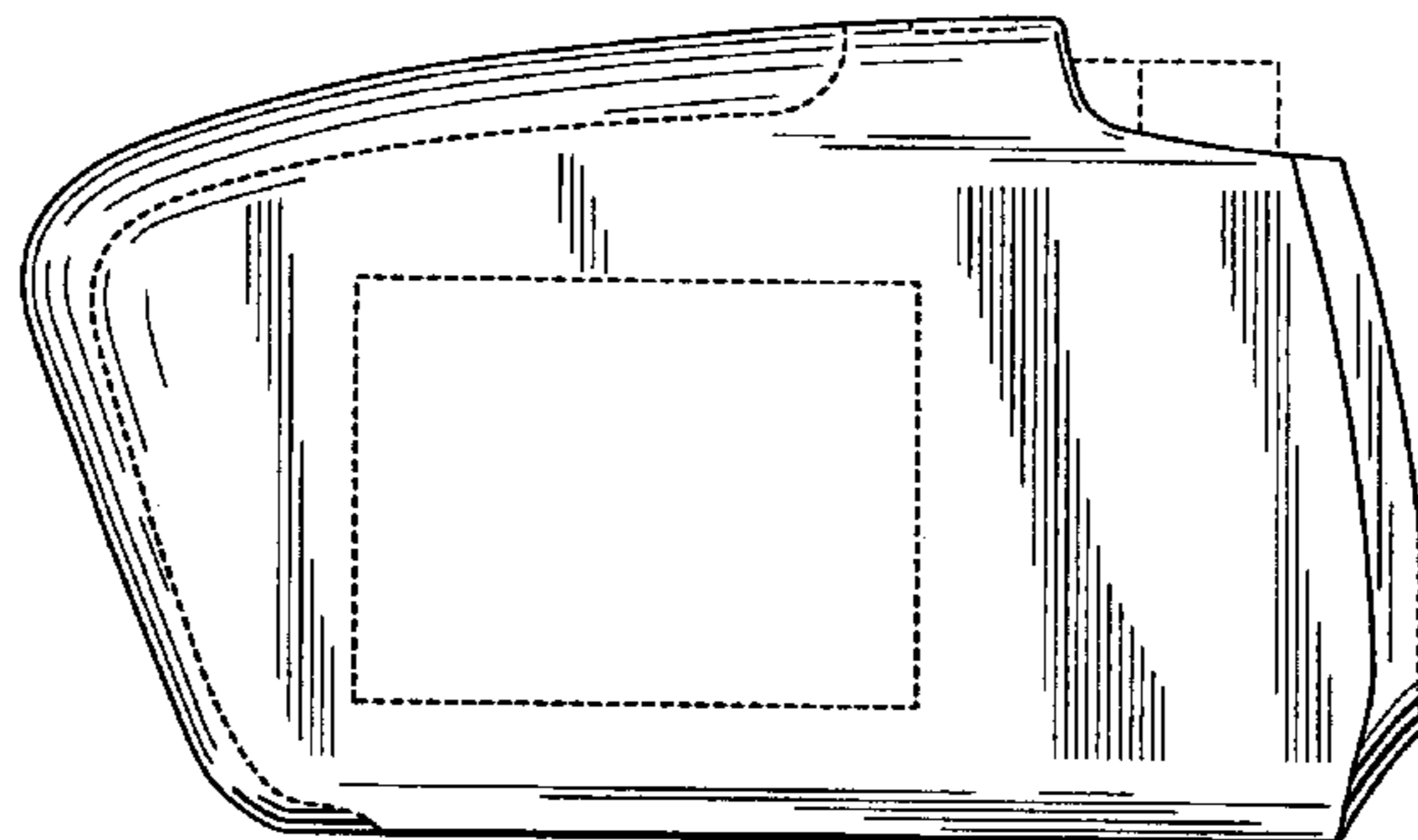
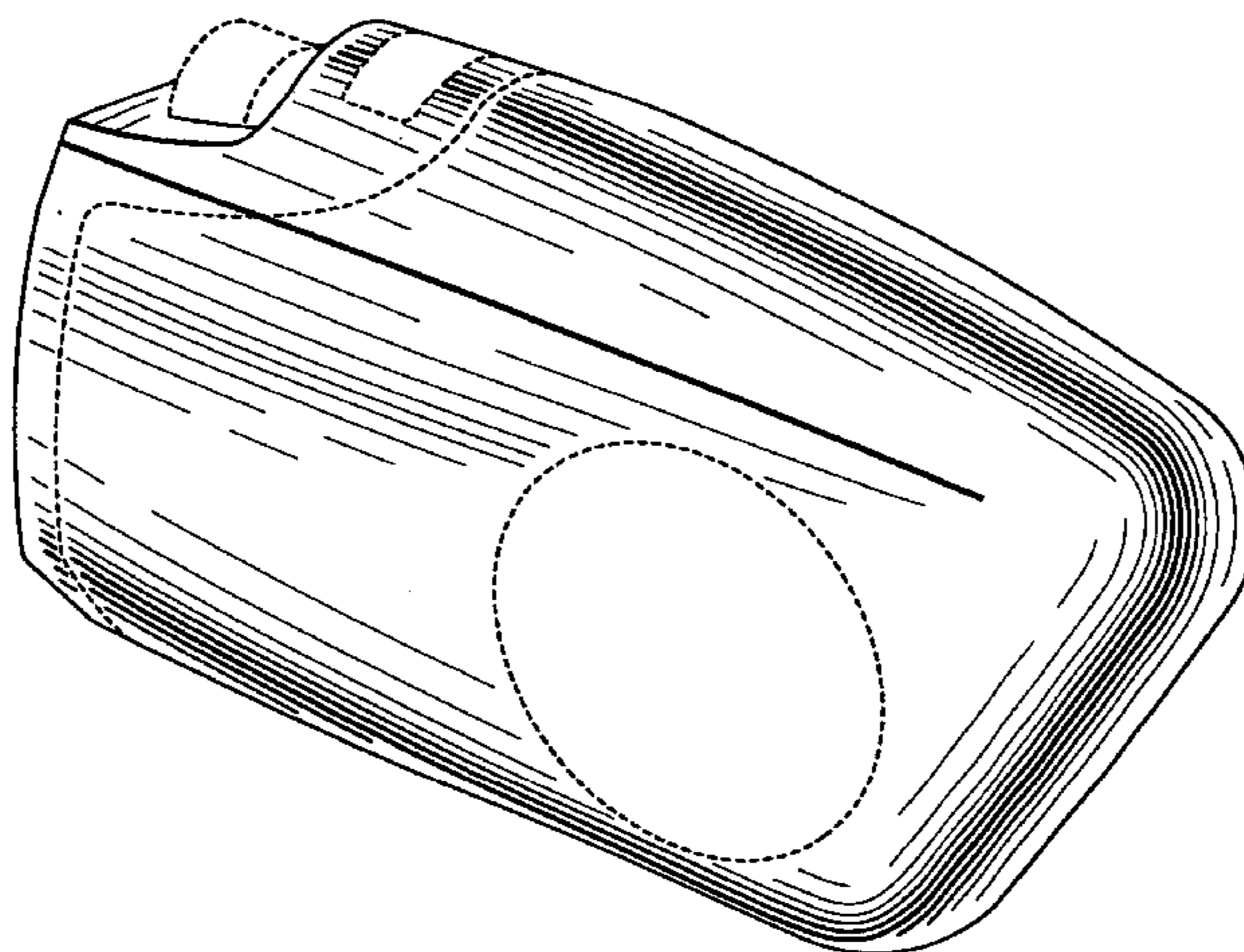
FIG. 6 is a bottom plan view thereof;

FIG. 7 is a right side elevational view thereof; and,

FIG. 8 is a rear elevational view thereof.

The broken lines are for illustrative purposes only and form no part of the claimed design.

1 Claim, 3 Drawing Sheets



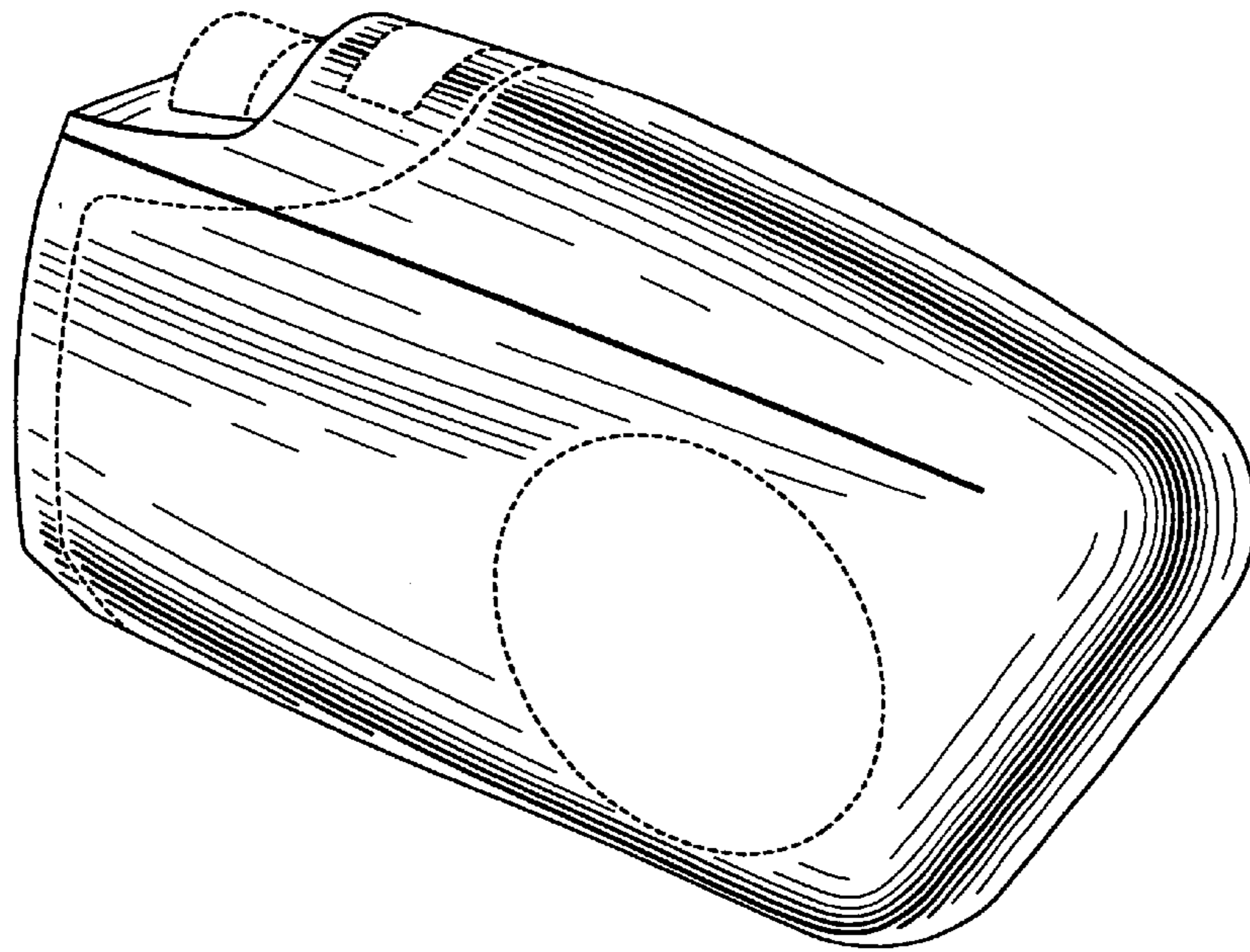


FIG. 1

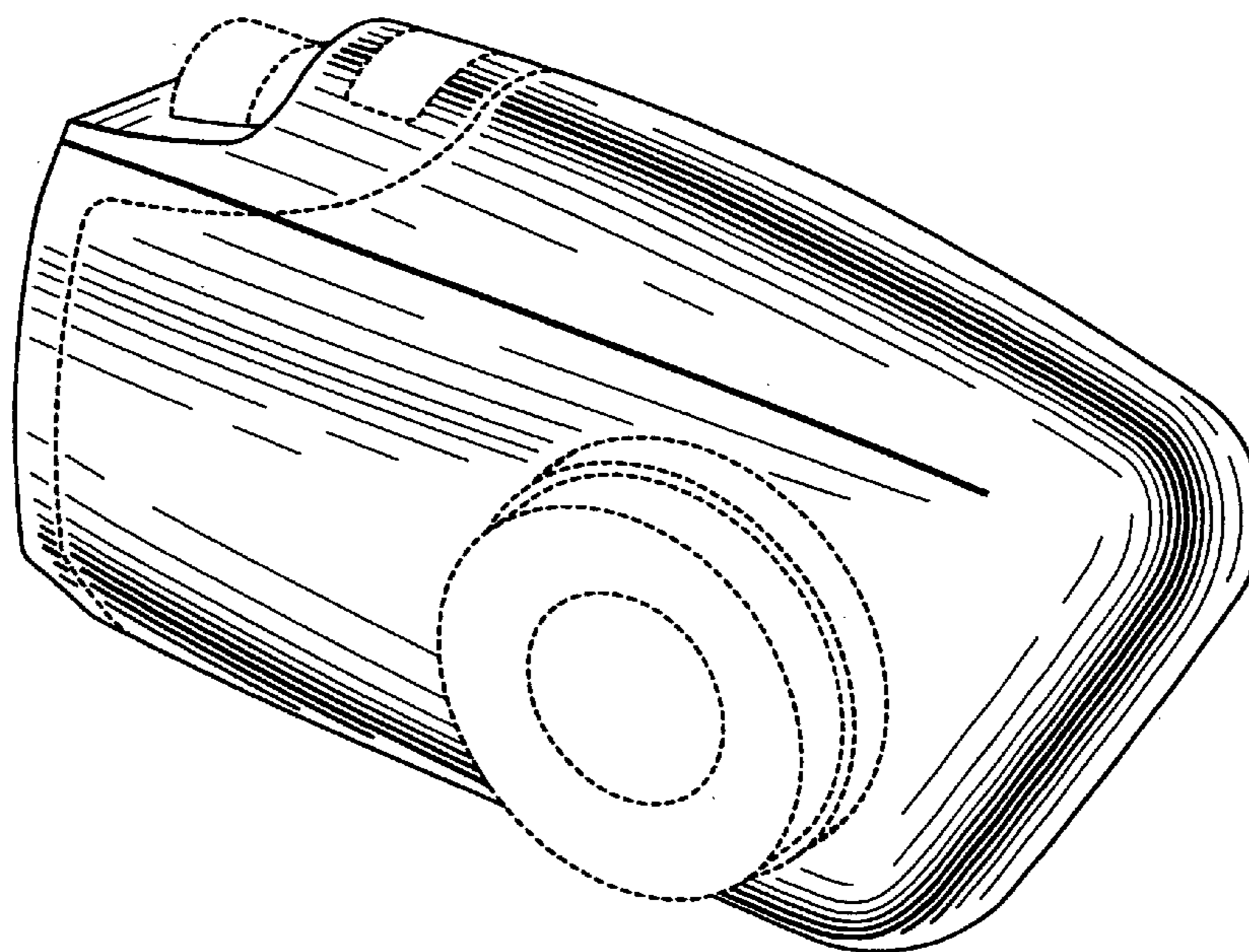


FIG. 2

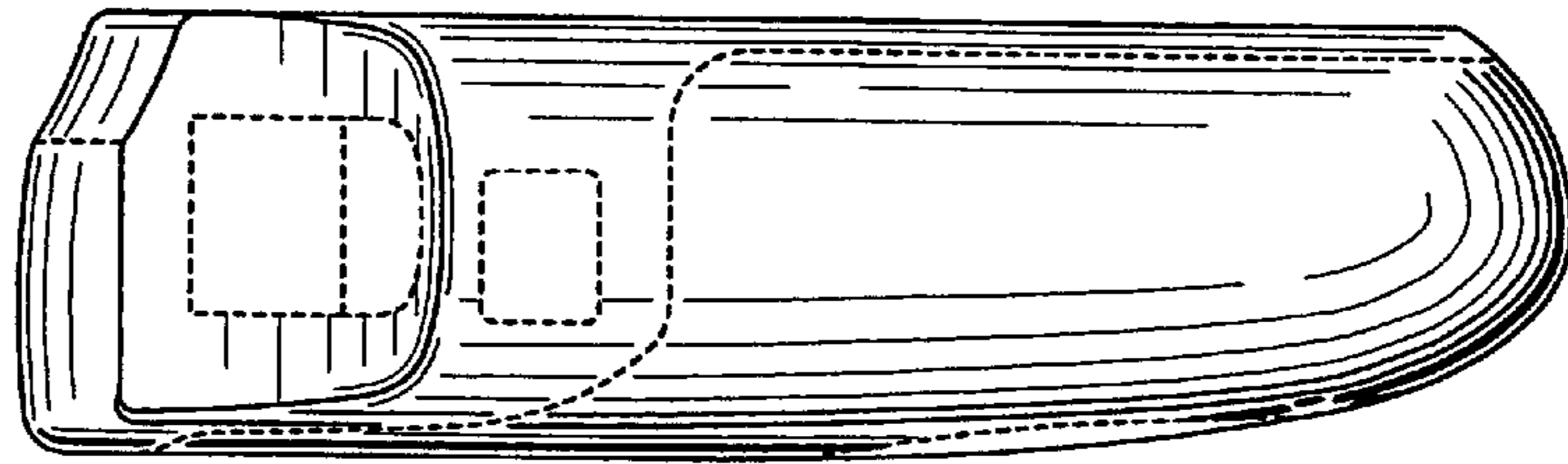


FIG. 3

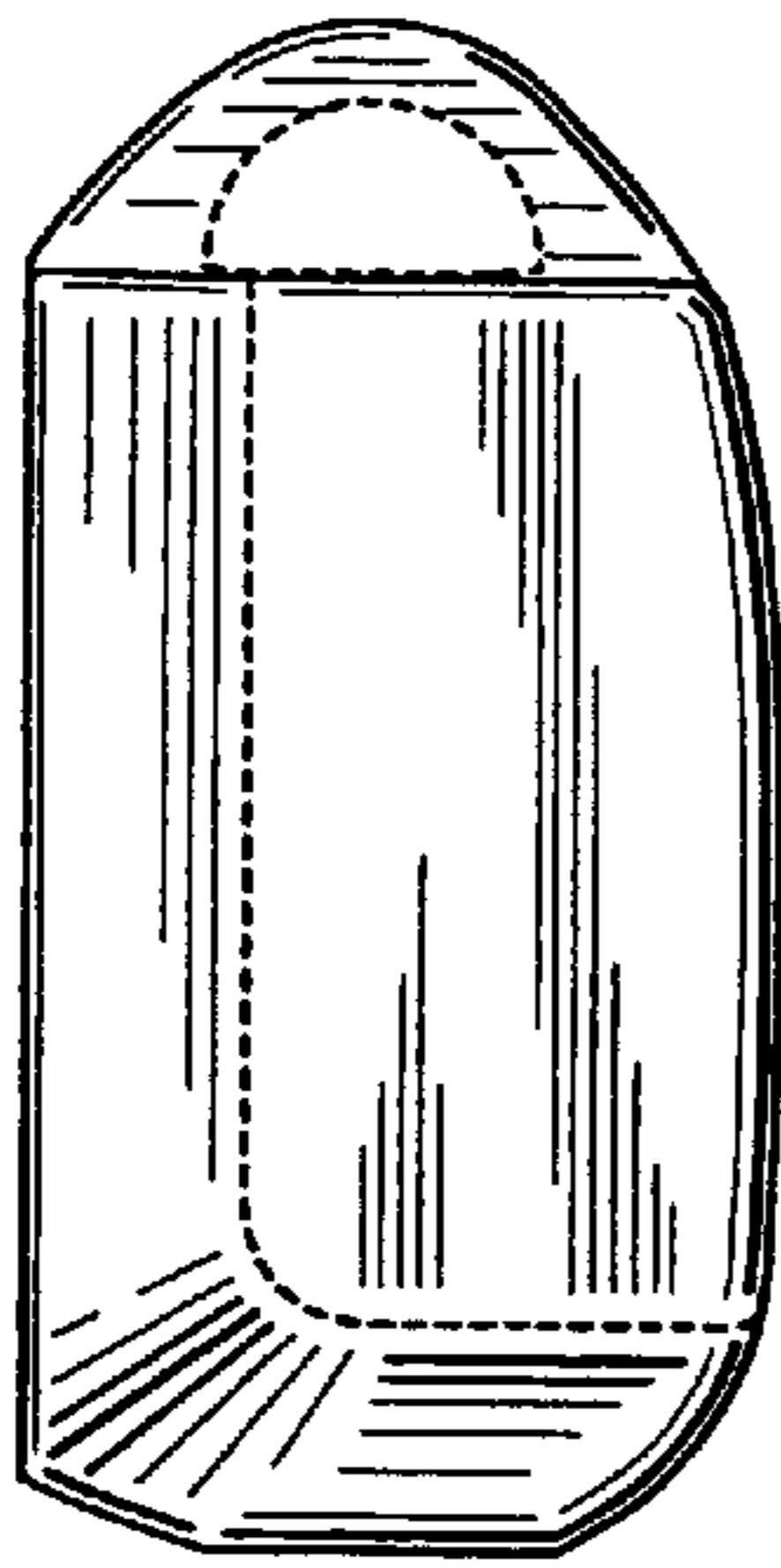


FIG. 4

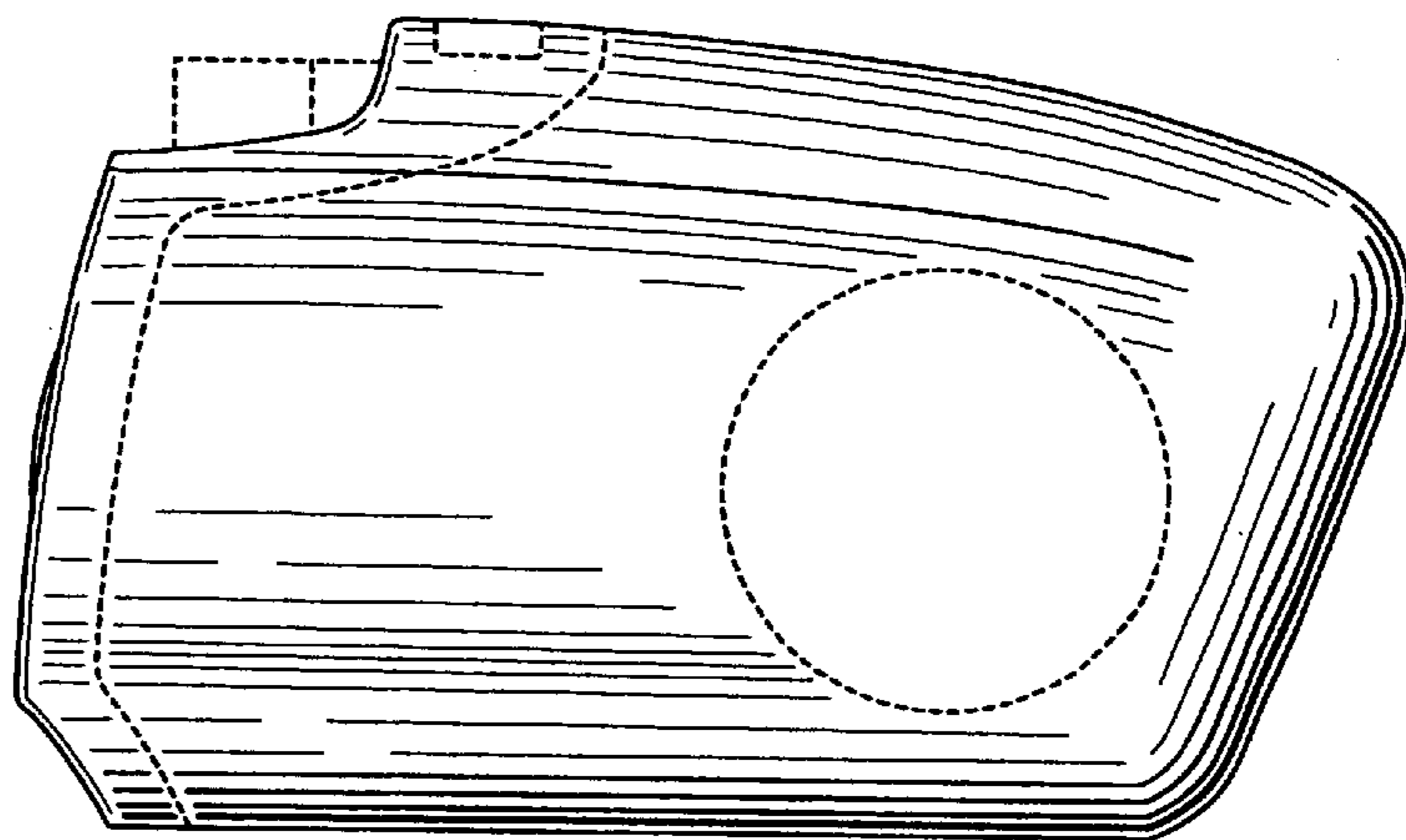


FIG. 5

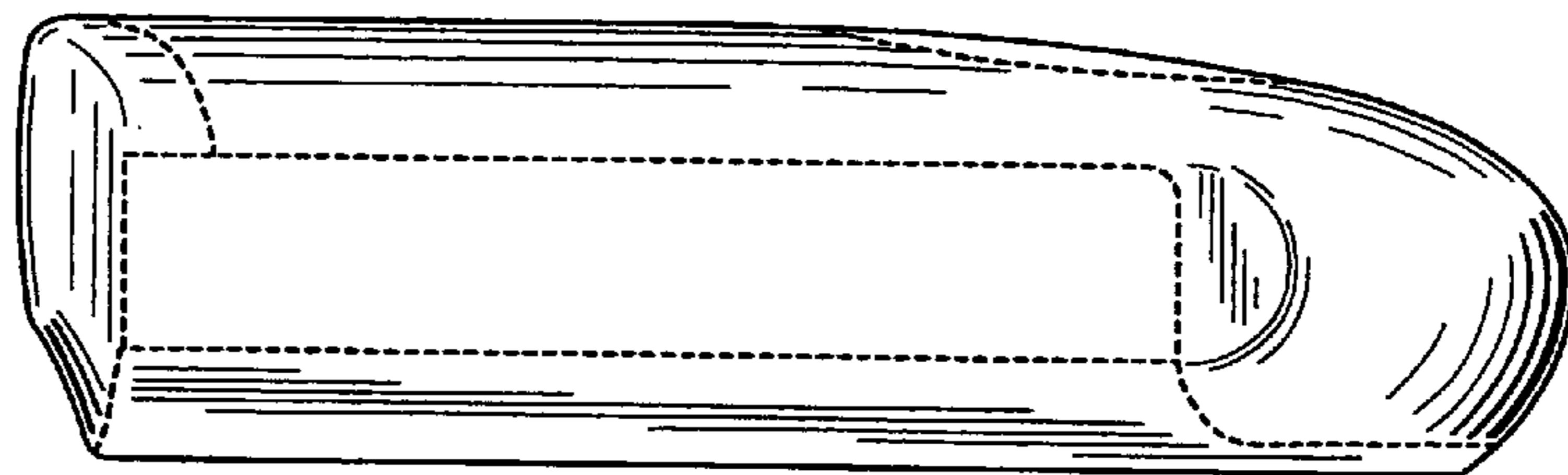


FIG. 6

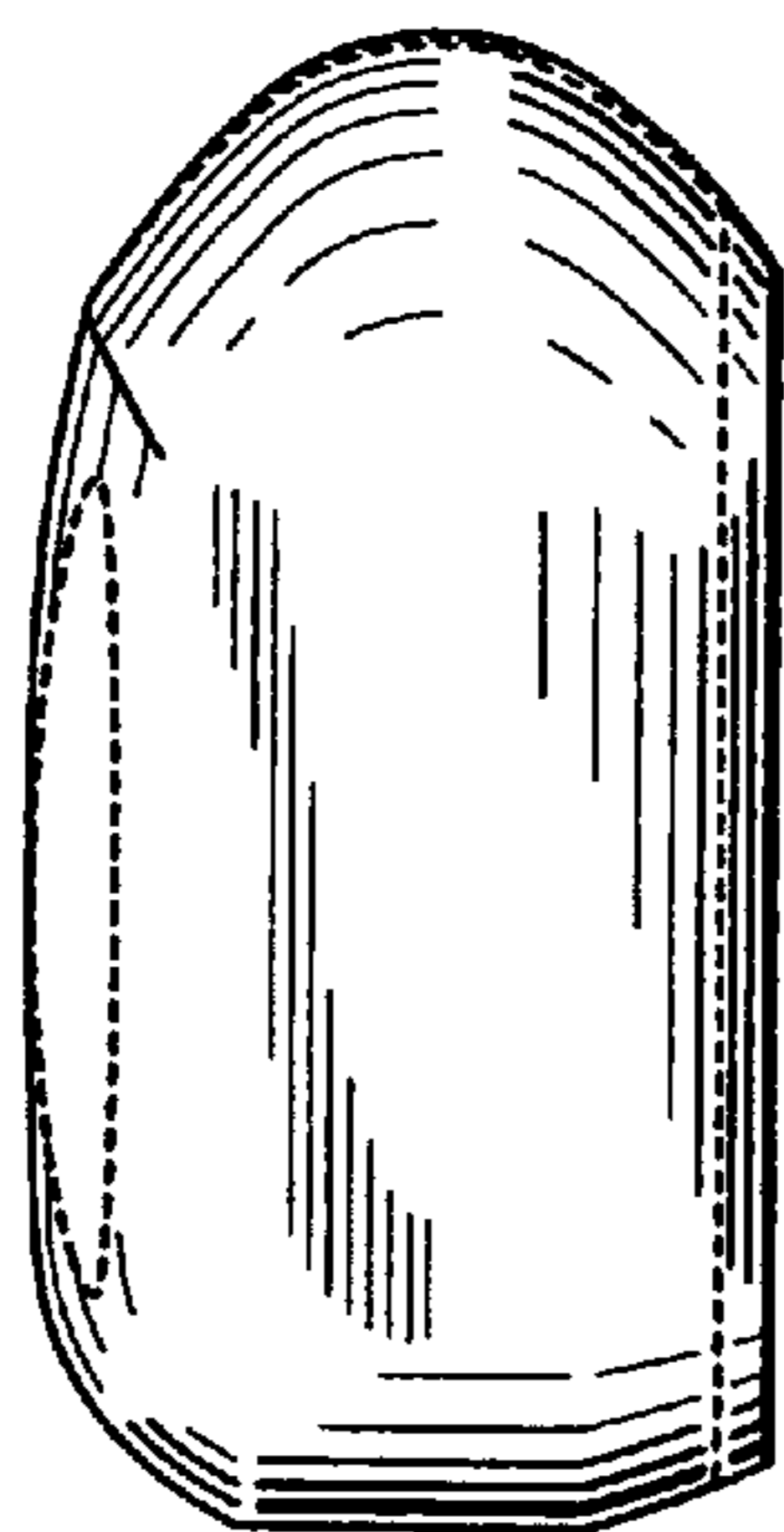


FIG. 7

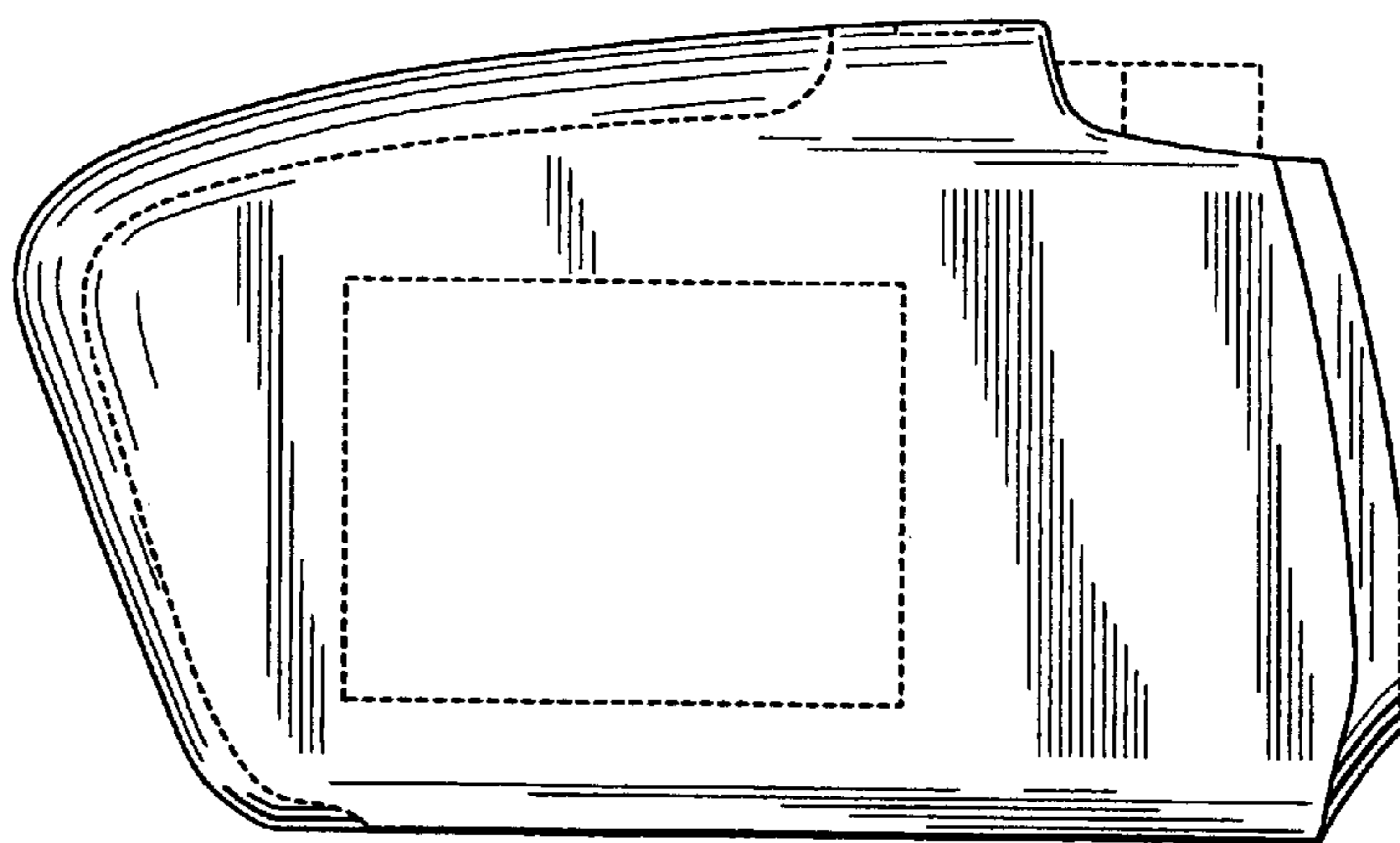


FIG. 8