



US00D537464S

(12) **United States Design Patent**
Tainaka

(10) **Patent No.:** **US D537,464 S**

(45) **Date of Patent:** **** Feb. 27, 2007**

(54) **DIGITAL CAMERA**

(75) Inventor: **Daisuke Tainaka**, Hachioji (JP)

(73) Assignee: **Olympus Corporation**, Tokyo (JP)

(**) Term: **14 Years**

(21) Appl. No.: **29/258,875**

(22) Filed: **Apr. 27, 2006**

Related U.S. Application Data

(62) Division of application No. 29/207,458, filed on Jun. 14, 2004.

(51) **LOC (8) Cl.** **16-05**

(52) **U.S. Cl.** **D16/219**

(58) **Field of Classification Search** D16/200–205,
D16/208, 218, 219; 348/373–376; 358/909.1;
396/535–541

See application file for complete search history.

(56) **References Cited**

U.S. PATENT DOCUMENTS

4,943,822 A * 7/1990 von Brauhut 396/535

D475,383 S * 6/2003 Omino D16/202

D480,744 S * 10/2003 Matsumura et al. D16/219

D485,289 S * 1/2004 Hayashi D16/219

D505,685 S * 5/2005 Yoshida D16/219

* cited by examiner

Primary Examiner—Adir Aronovich

(74) *Attorney, Agent, or Firm*—Hogan & Hartson LLP

(57) **CLAIM**

The ornamental design for a digital camera, as shown and described.

DESCRIPTION

FIG. 1 is a front perspective view of a digital camera showing my new design;

FIG. 2 is a front perspective view thereof showing a barrier in an opened state;

FIG. 3 is a top plan view of FIG. 1.

FIG. 4 is a left side elevational view thereof;

FIG. 5 is a front elevational view thereof;

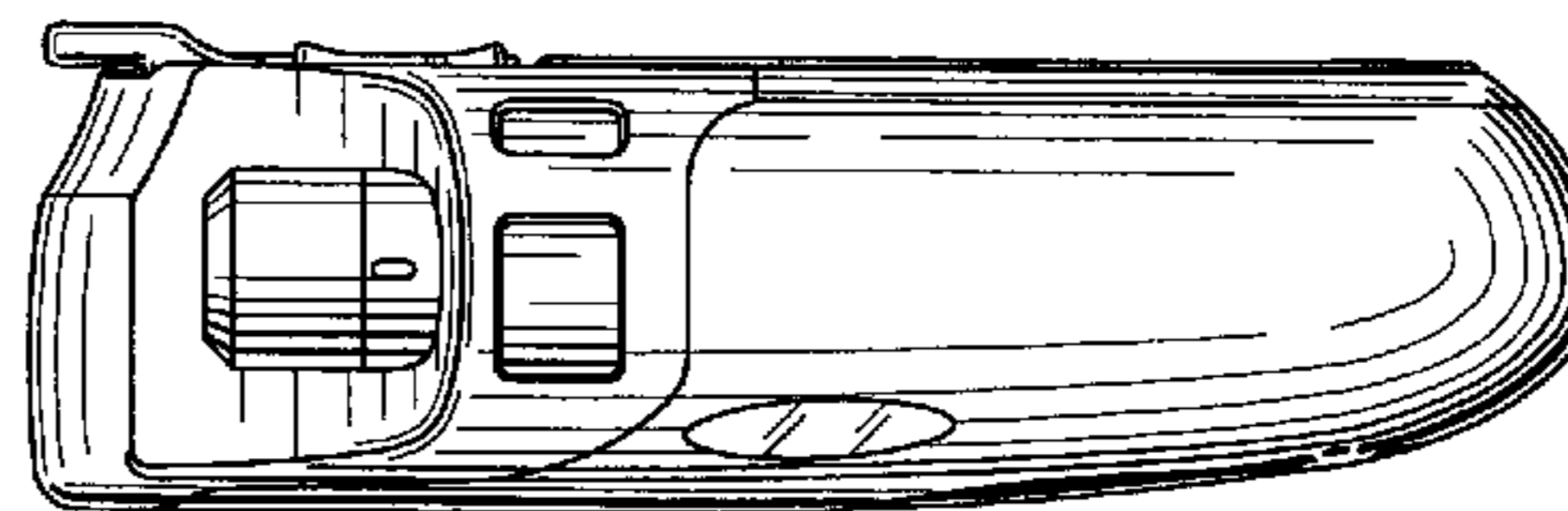
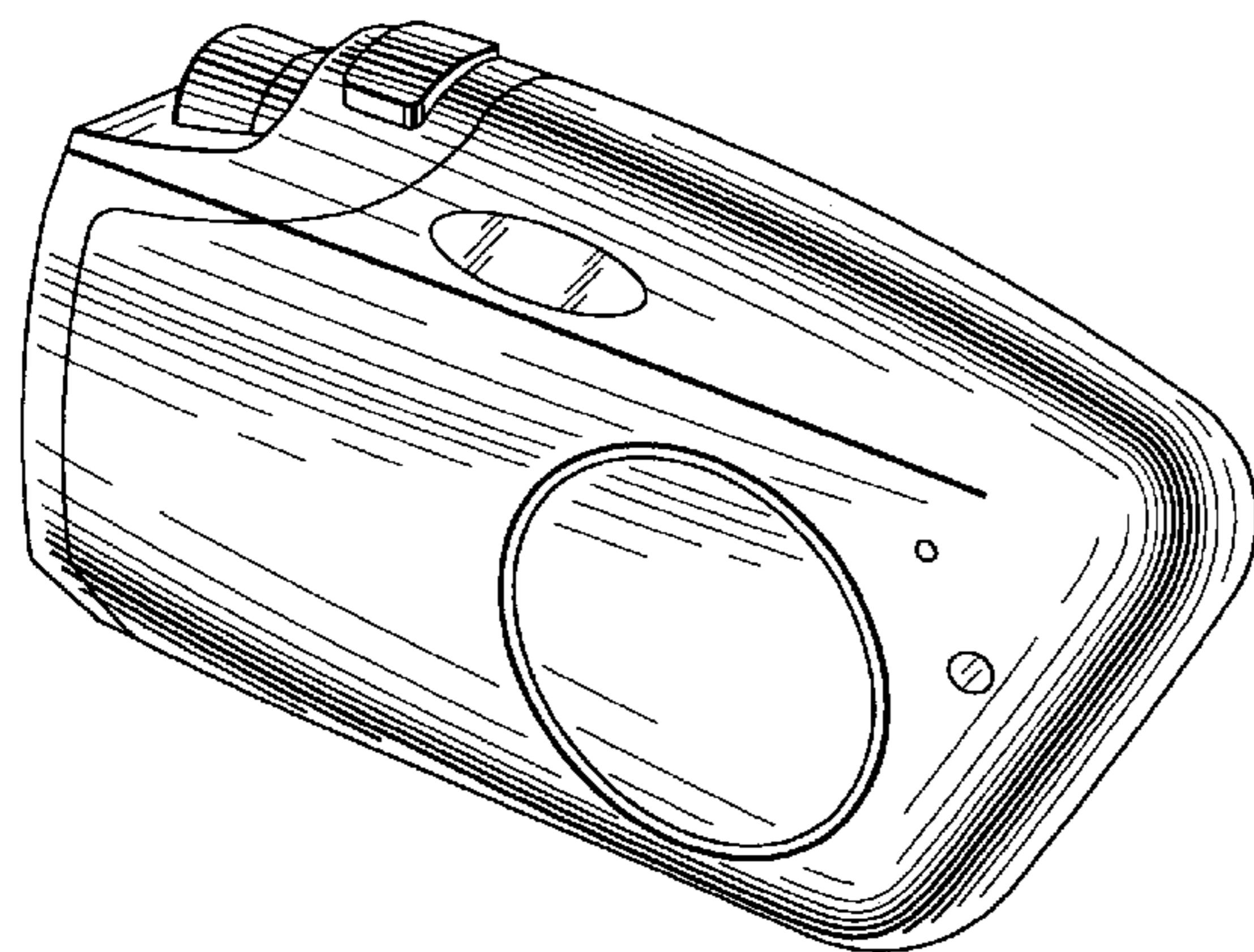
FIG. 6 is a bottom plan view thereof;

FIG. 7 is a right side elevational view thereof; and,

FIG. 8 is a rear elevational view thereof.

The broken lines are for illustrative purposes only and form no part of the claimed design.

1 Claim, 3 Drawing Sheets



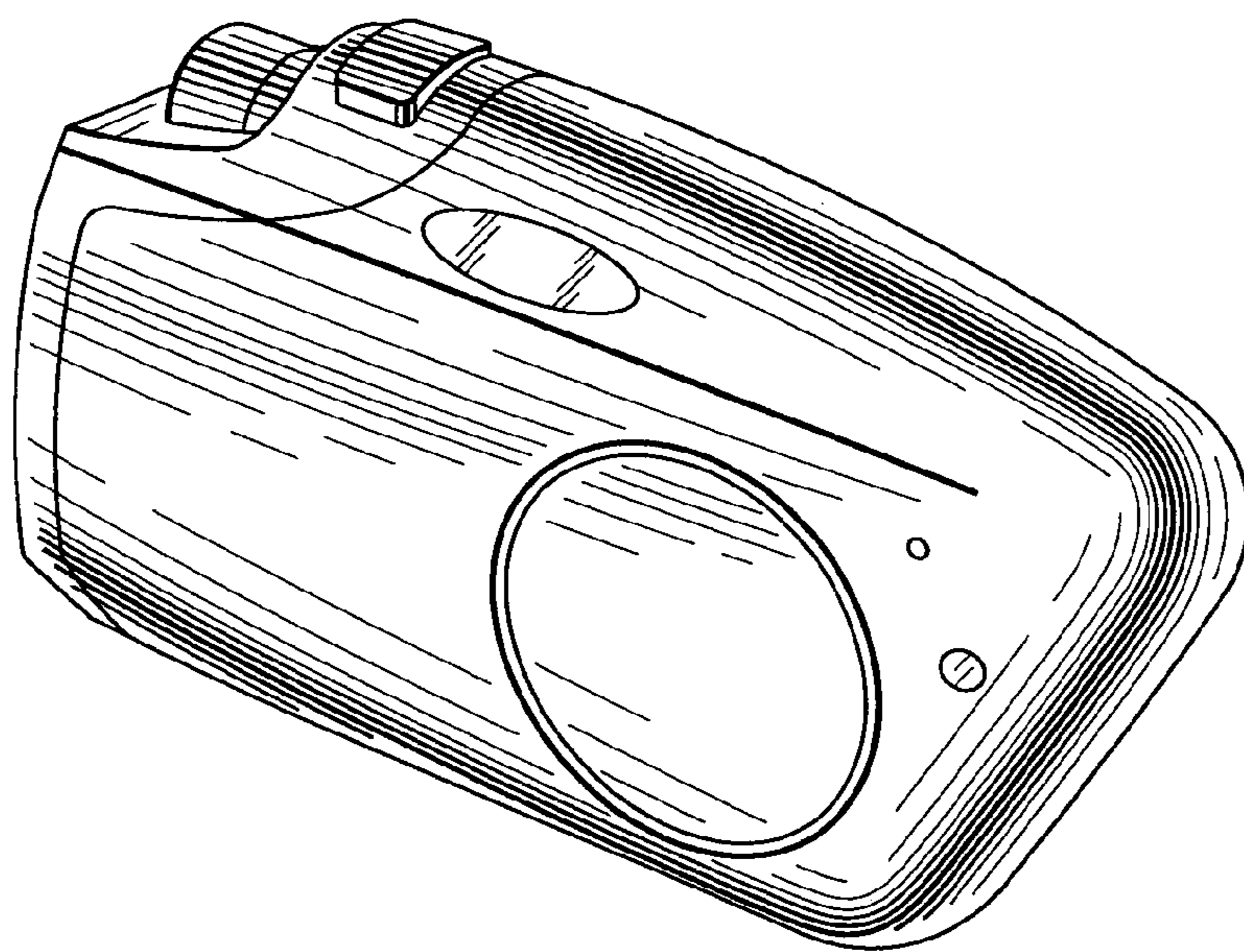


FIG. 1

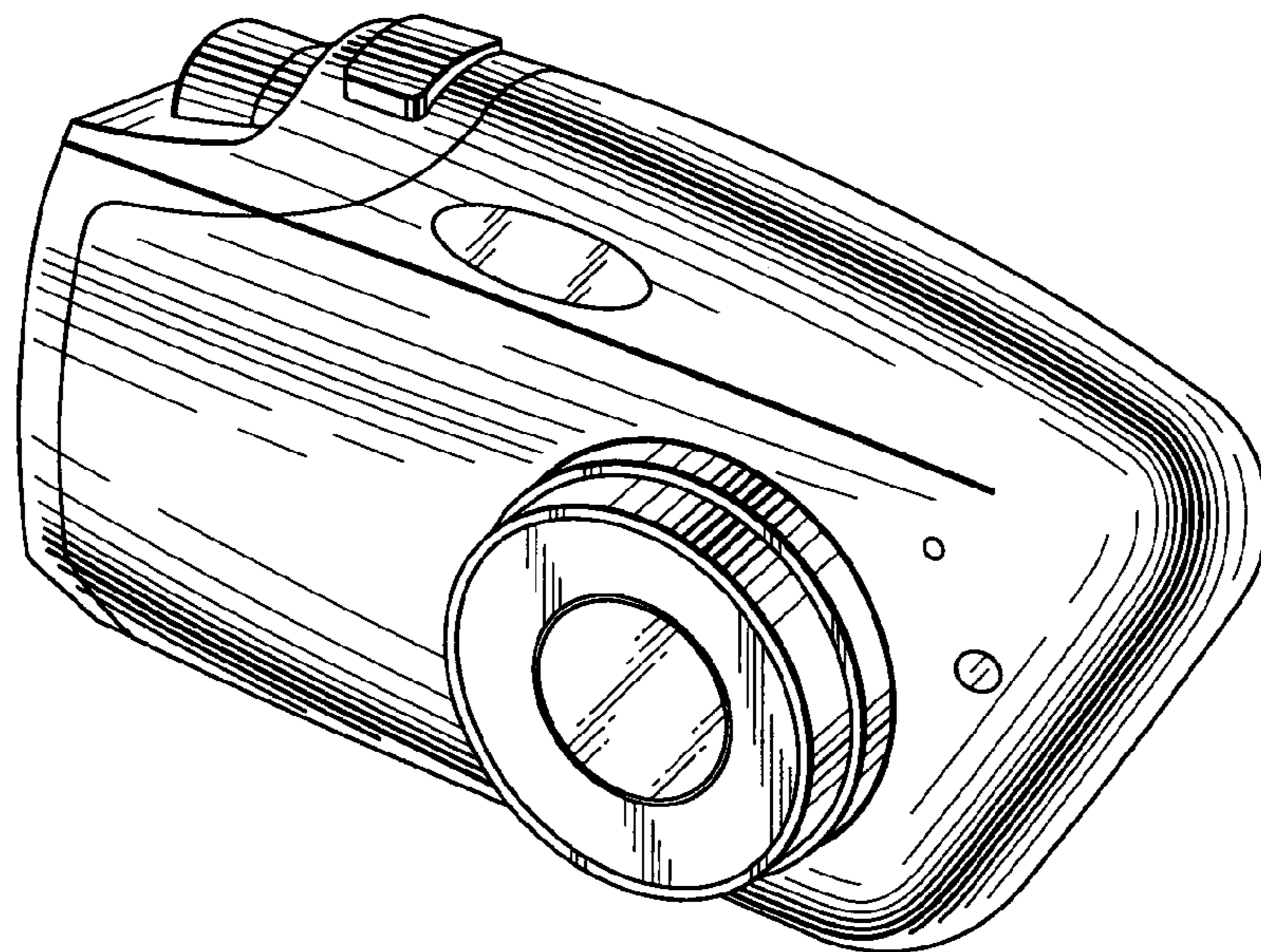


FIG. 2

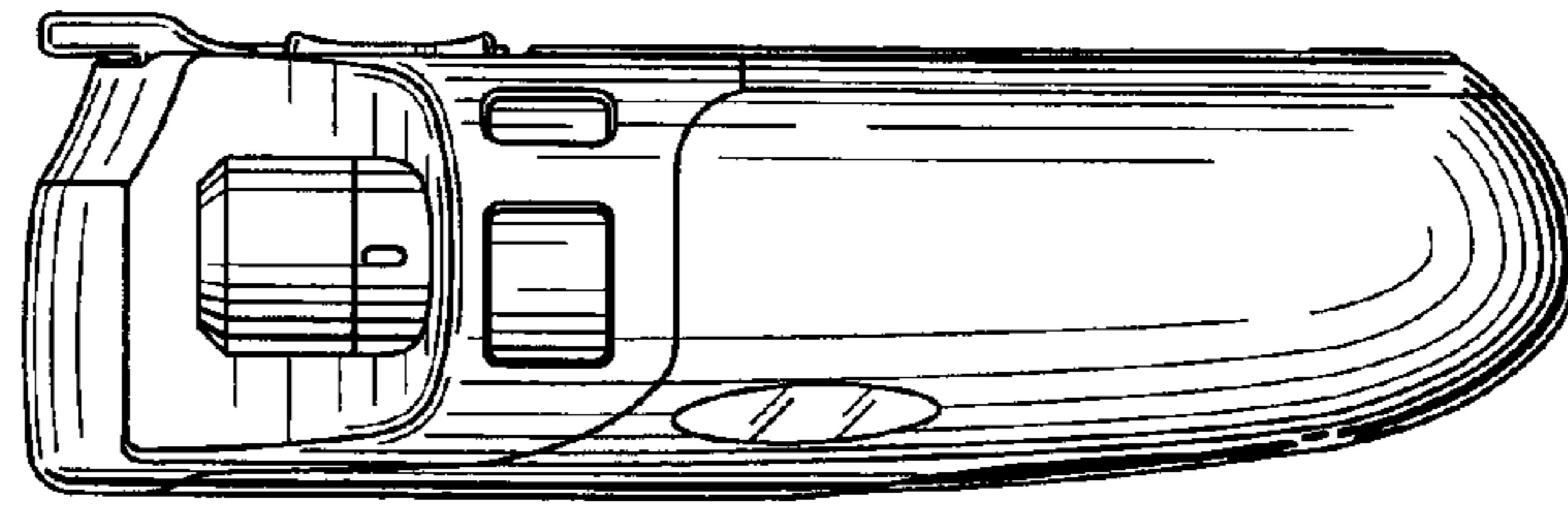


FIG. 3

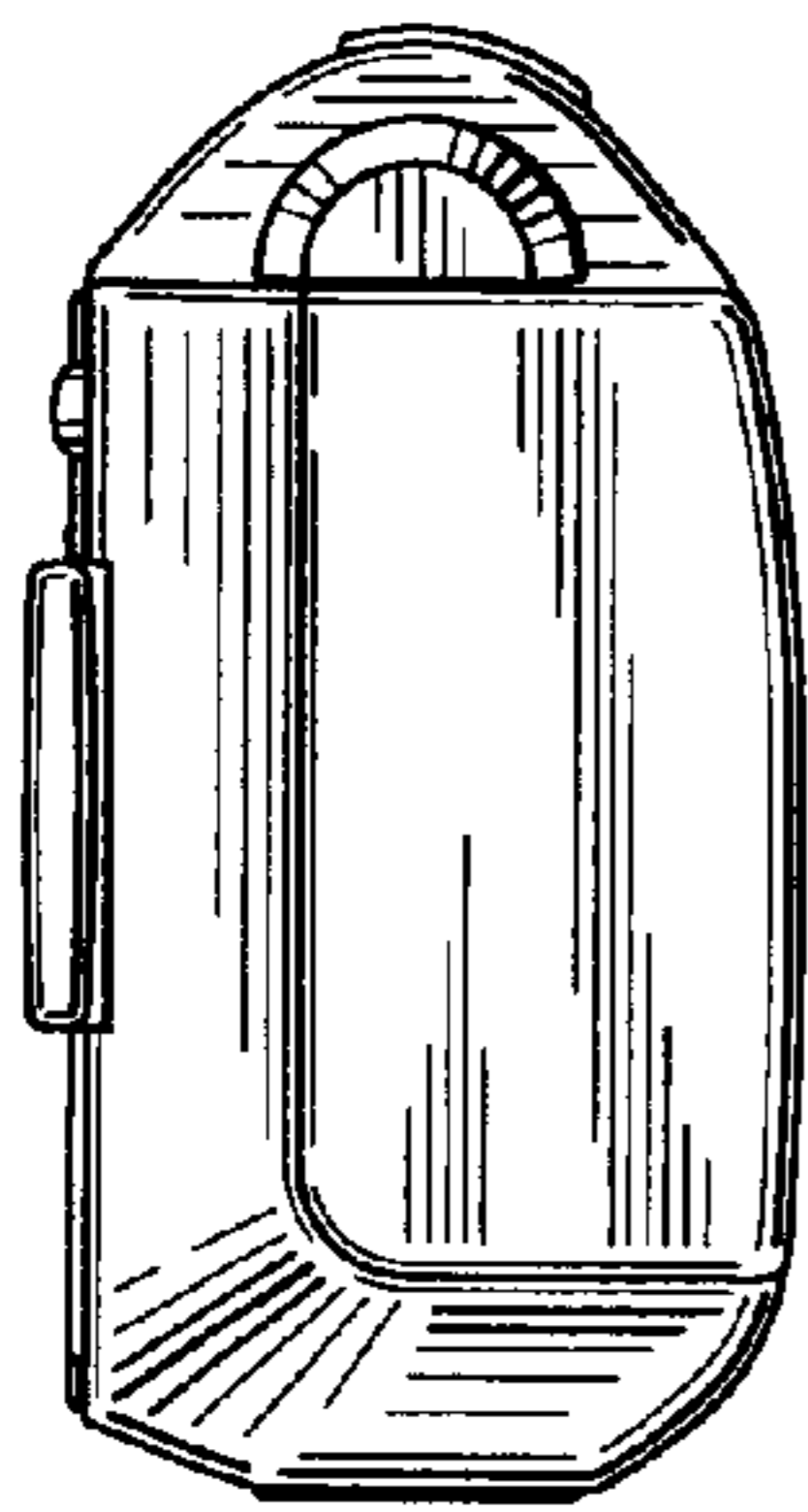


FIG. 4

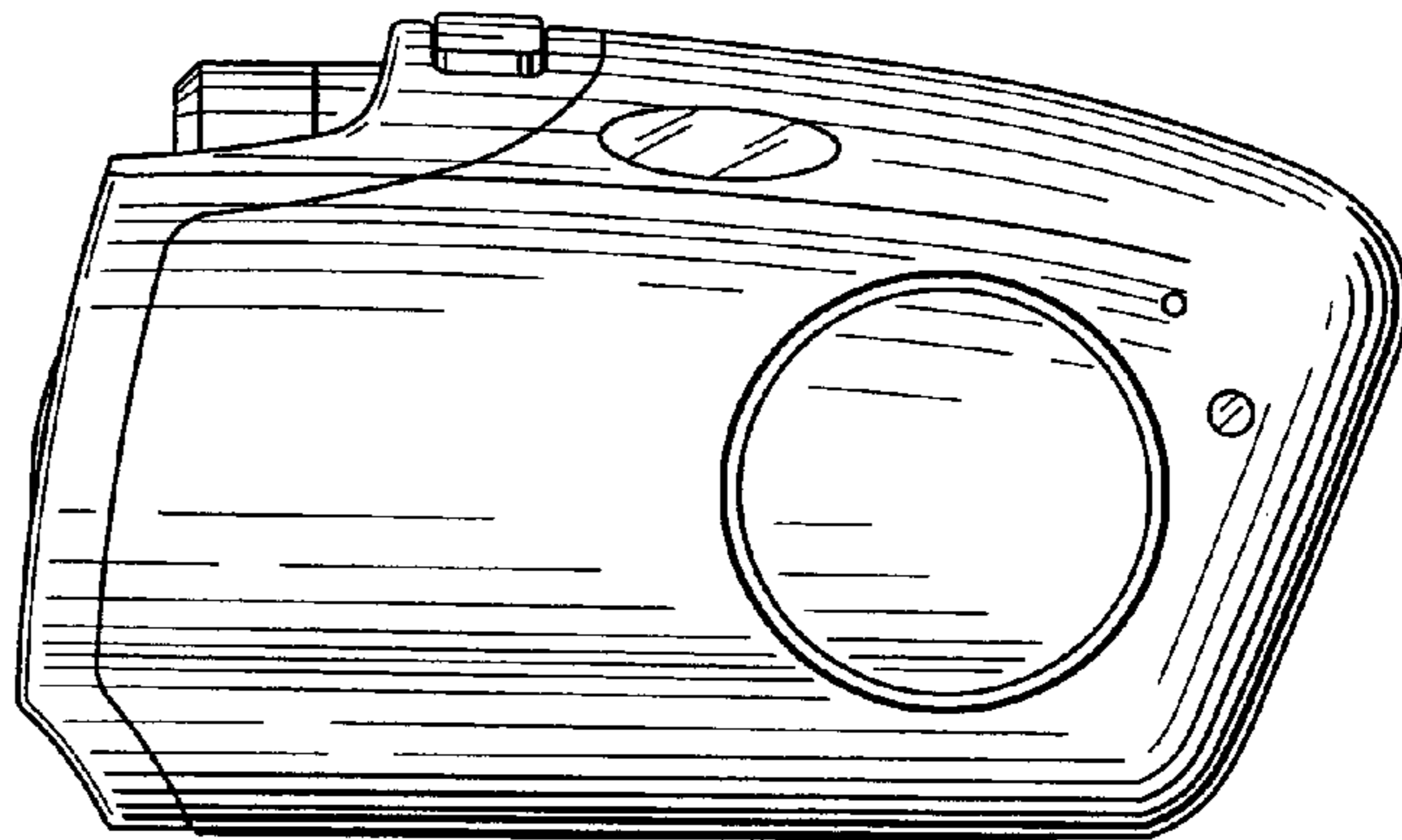


FIG. 5

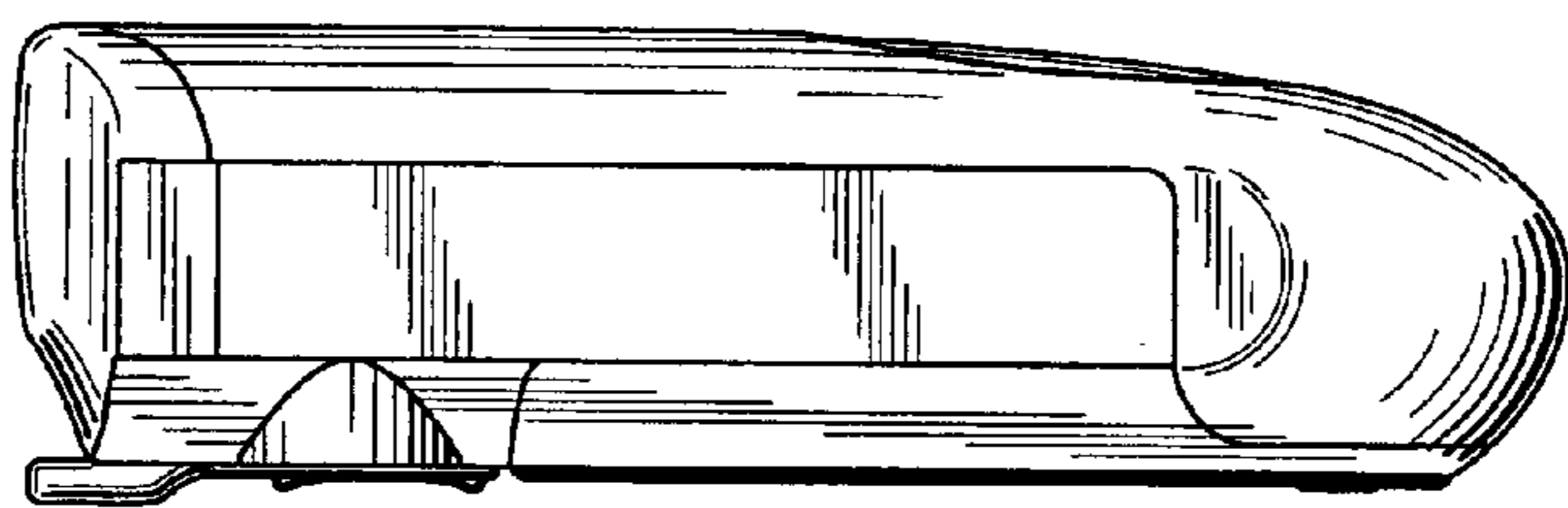


FIG. 6

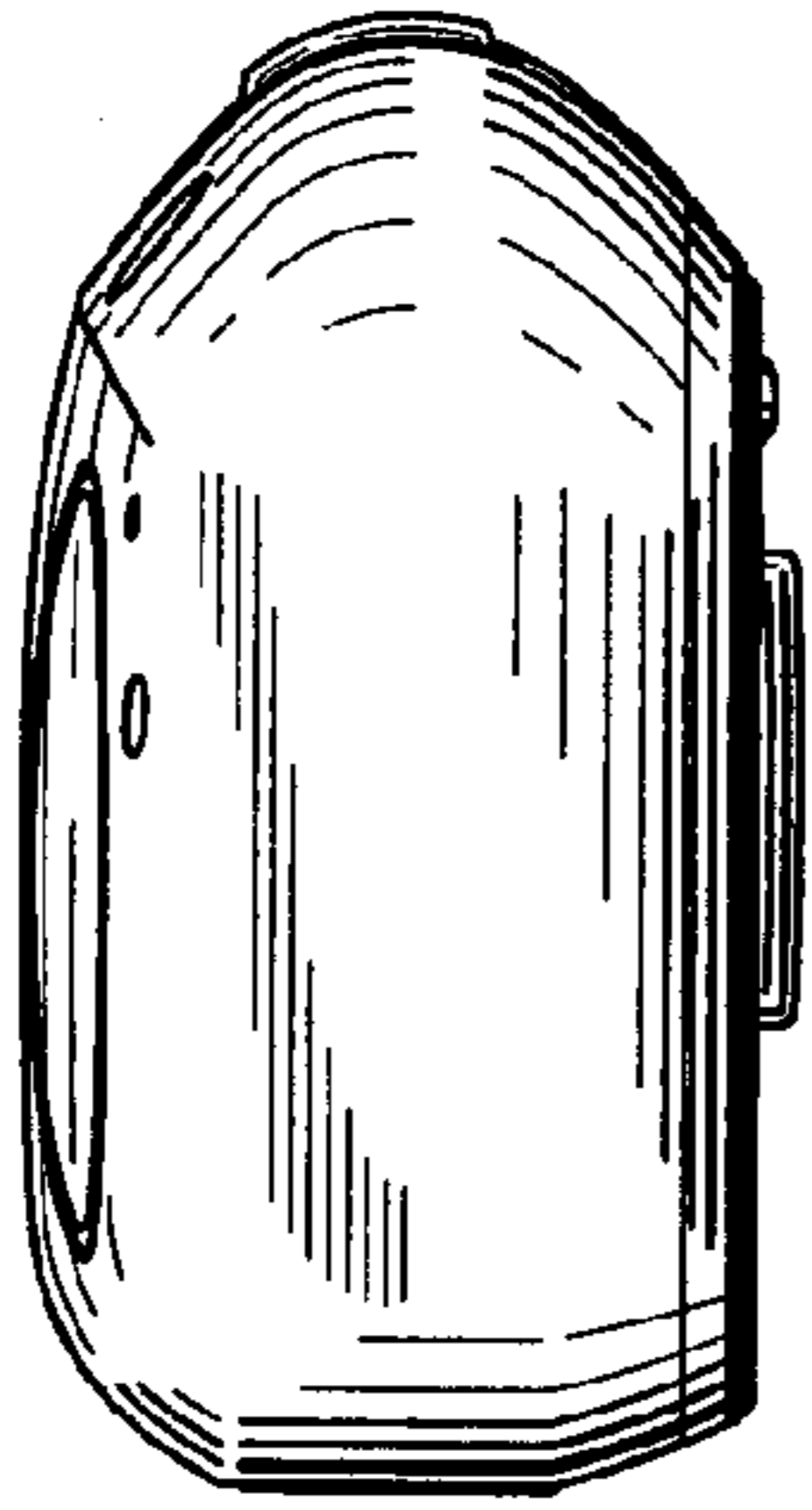


FIG. 7

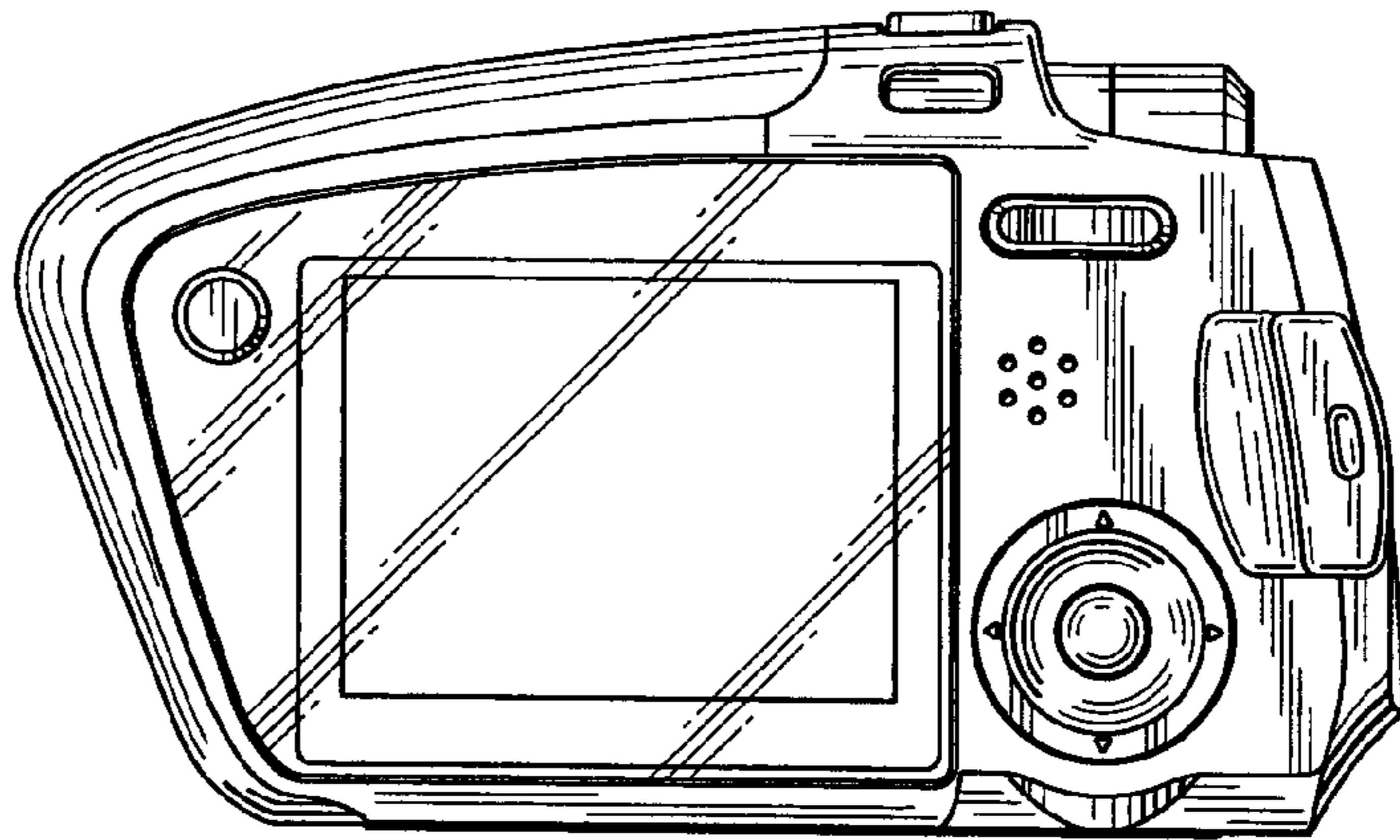


FIG. 8

UNITED STATES PATENT AND TRADEMARK OFFICE
CERTIFICATE OF CORRECTION

PATENT NO. : Des. 537,464 S
APPLICATION NO. : 29/258875
DATED : February 27, 2007
INVENTOR(S) : Tainaka

Page 1 of 5

It is certified that error appears in the above-identified patent and that said Letters Patent is hereby corrected as shown below:

The title page showing the illustrative figure should be deleted to be replaced with the attached title page.

The drawing sheets, (1-3), consisting of Figs. 1-8, should be deleted to be replaced with the drawing sheets, consisting of Figs. 1-8, as shown on the attached pages.

Signed and Sealed this

Fifteenth Day of April, 2008

A handwritten signature in black ink that reads "Jon W. Dudas". The signature is written in a cursive style with a large, looped initial "J".

JON W. DUDAS

Director of the United States Patent and Trademark Office

(12) **United States Design Patent**
Tainaka

(10) **Patent No.:** **US D537,464 S**
(45) **Date of Patent:** **** Feb. 27, 2007**

(54) **DIGITAL CAMERA**

D480,744 S * 10/2003 Matsumura et al. D16/219
D485,289 S * 1/2004 Hayashi D16/219
D505,685 S * 5/2005 Yoshida D16/219

(75) Inventor: **Daisuke Tainaka, Hachioji (JP)**

* cited by examiner

(73) Assignee: **Olympus Corporation, Tokyo (JP)**

Primary Examiner—Adir Aronovich

(**) Term: **14 Years**

(74) *Attorney, Agent, or Firm*—Hogan & Hartson LLP

(21) Appl. No.: **29/258,875**

(57) **CLAIM**

(22) Filed: **Apr. 27, 2006**

The ornamental design for a digital camera, as shown and described.

Related U.S. Application Data

DESCRIPTION

(62) Division of application No. 29/207,458, filed on Jan. 14, 2004.

FIG. 1 is a front perspective view of a digital camera showing my new design;

(51) **LOC (8) CL** **16-05**

FIG. 2 is a front perspective view thereof showing a barrier in an opened state;

(52) **U.S. CL** **D16/219**

(58) **Field of Classification Search** D16/200-205,
D16/208, 218, 219; 348/373-376; 358/909.1;
396/535-541

FIG. 3 is a top plan view of FIG. 1.

FIG. 4 is a left side elevational view thereof;

FIG. 5 is a front elevational view thereof;

FIG. 6 is a bottom plan view thereof;

FIG. 7 is a right side elevational view thereof; and,

FIG. 8 is a rear elevational view thereof.

See application file for complete search history.

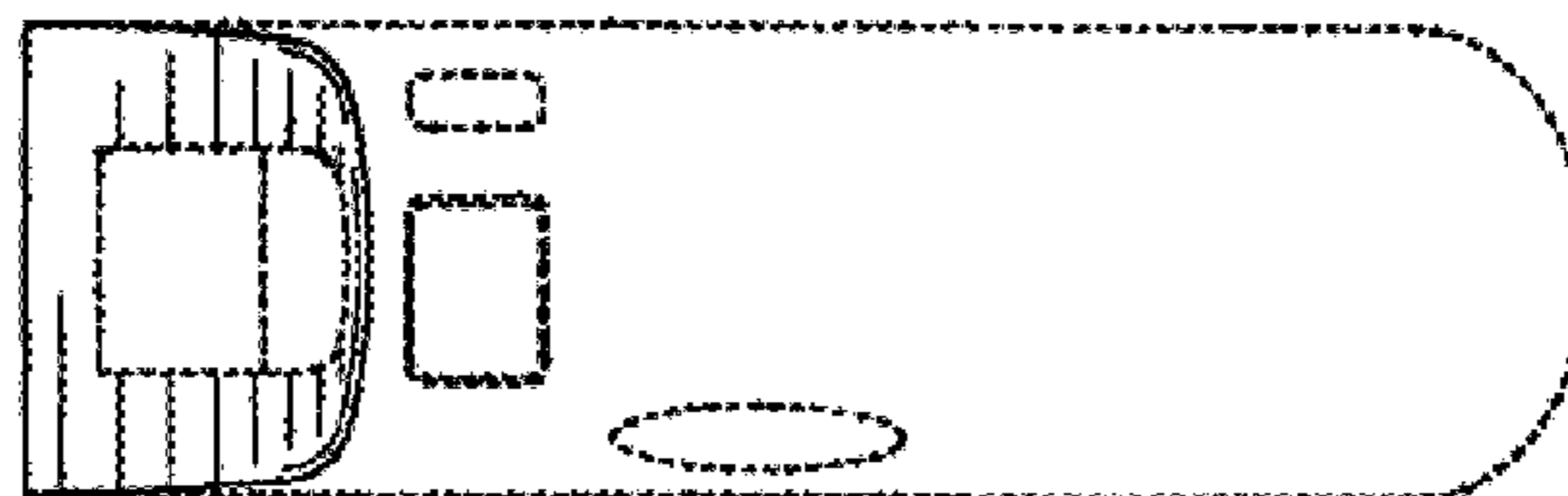
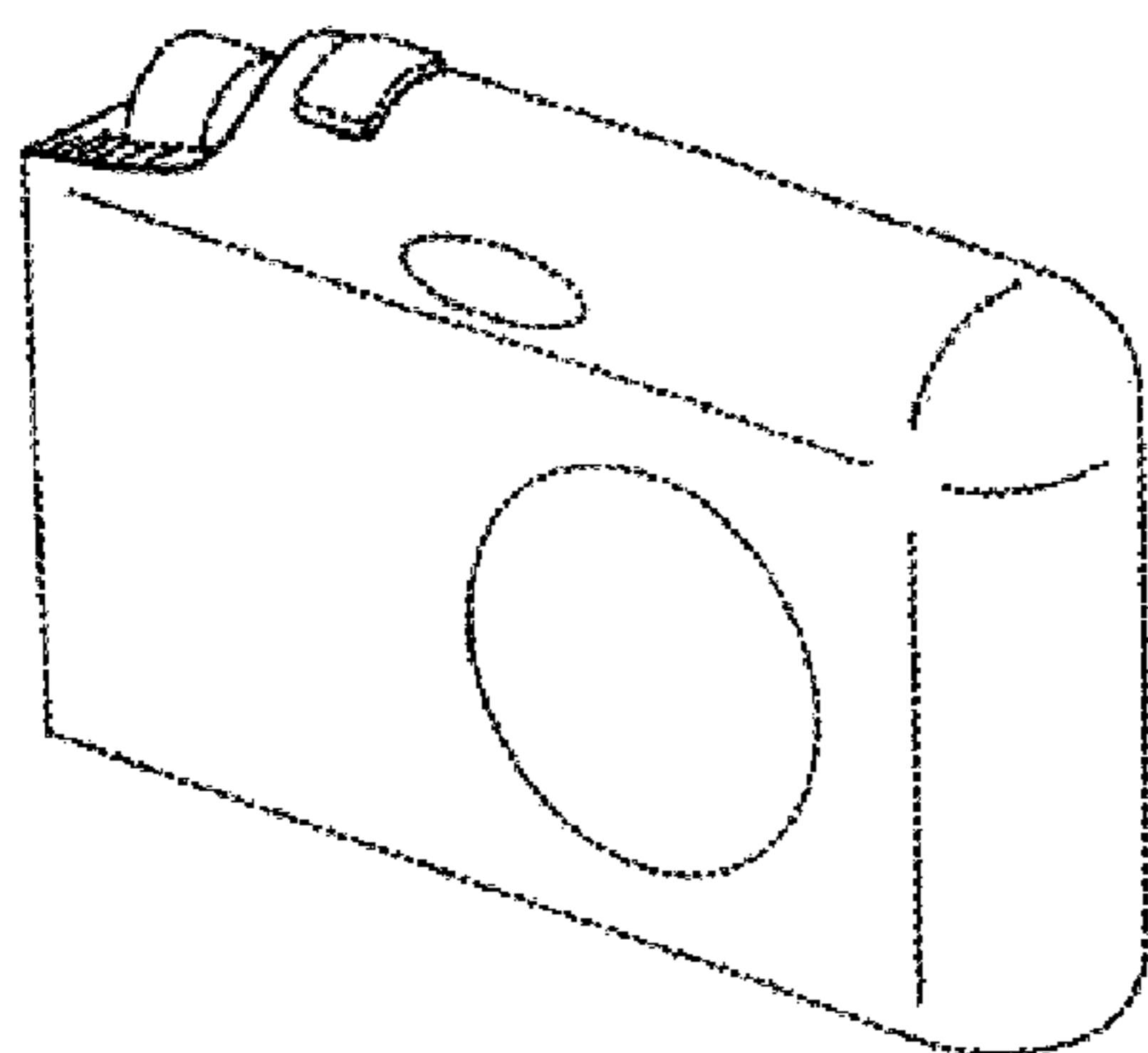
The broken lines are for illustrative purposes only and form no part of the claimed design.

(56) **References Cited**

U.S. PATENT DOCUMENTS

4,943,822 A * 7/1990 von Braunhut 396/535
D475,383 S * 6/2003 Omino D16/202

1 Claim, 3 Drawing Sheets



U.S. Patent

Feb. 27, 2007

Sheet 1 of 3

D537,464 S

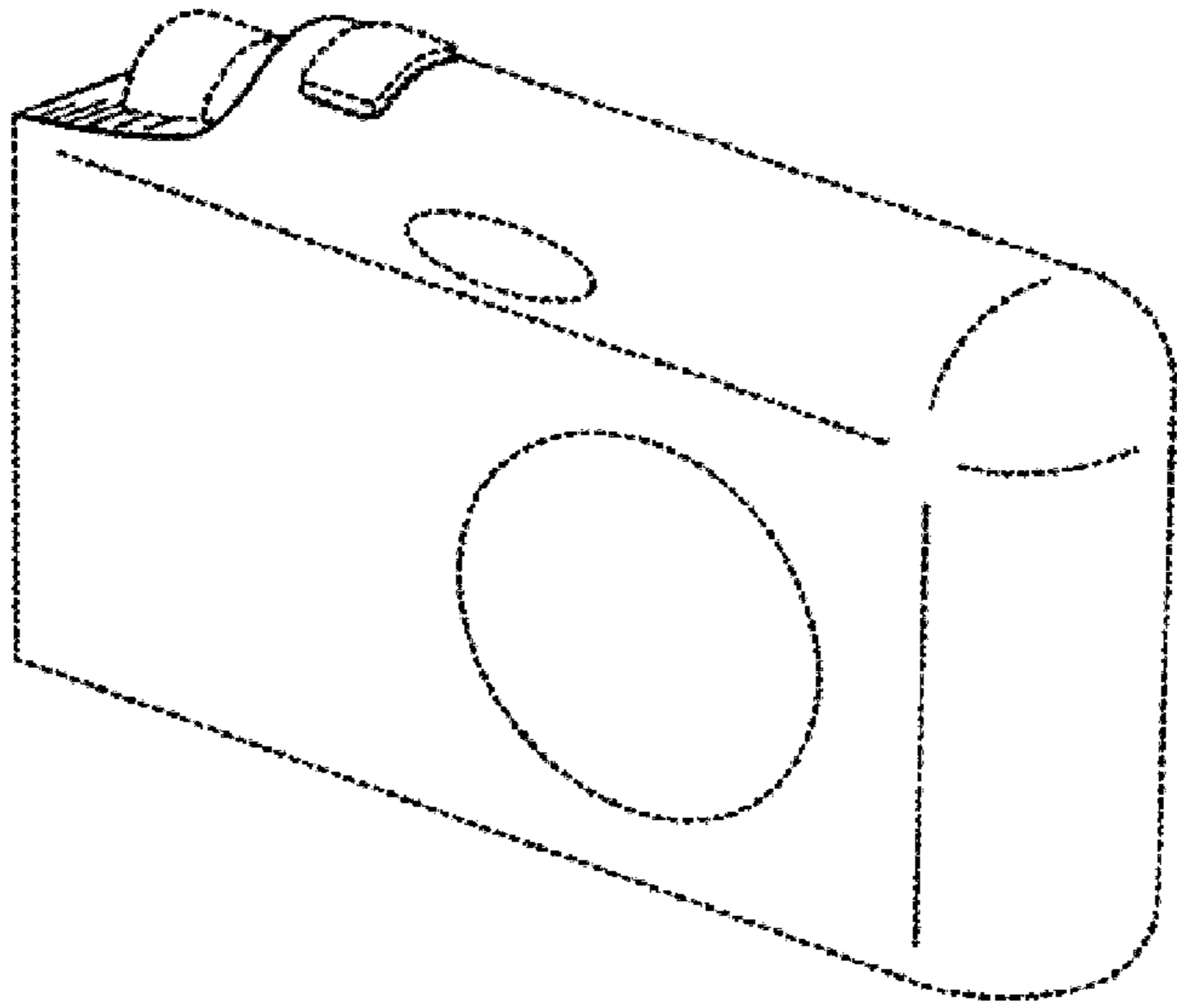


FIG. 1

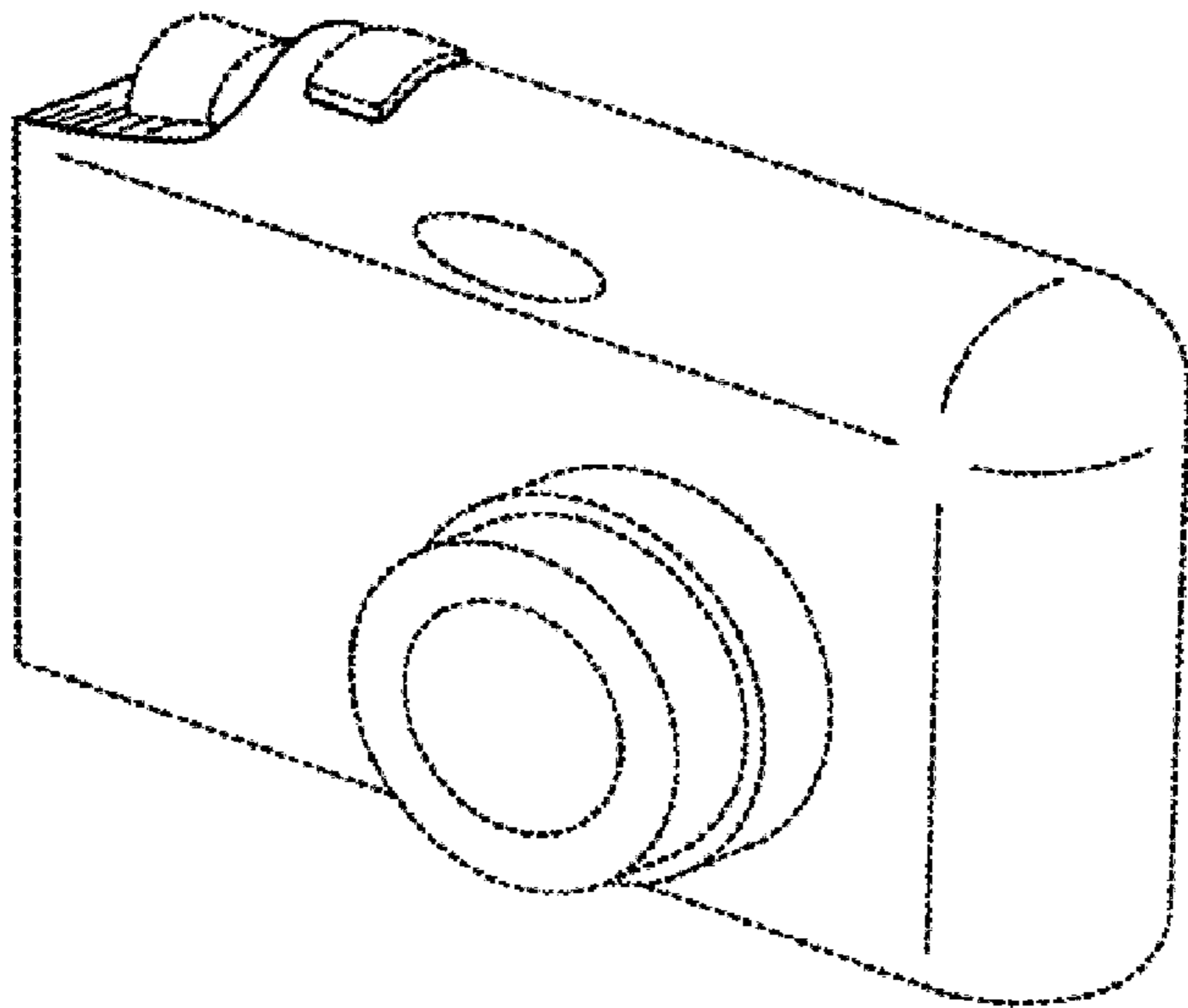


FIG. 2

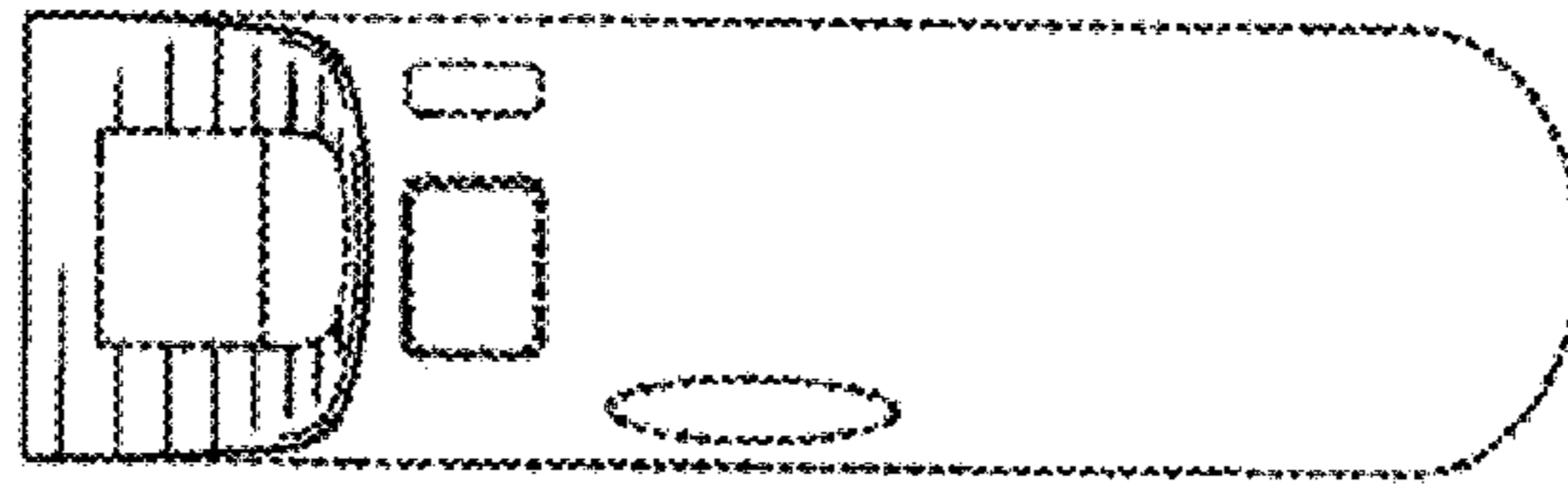


FIG. 3

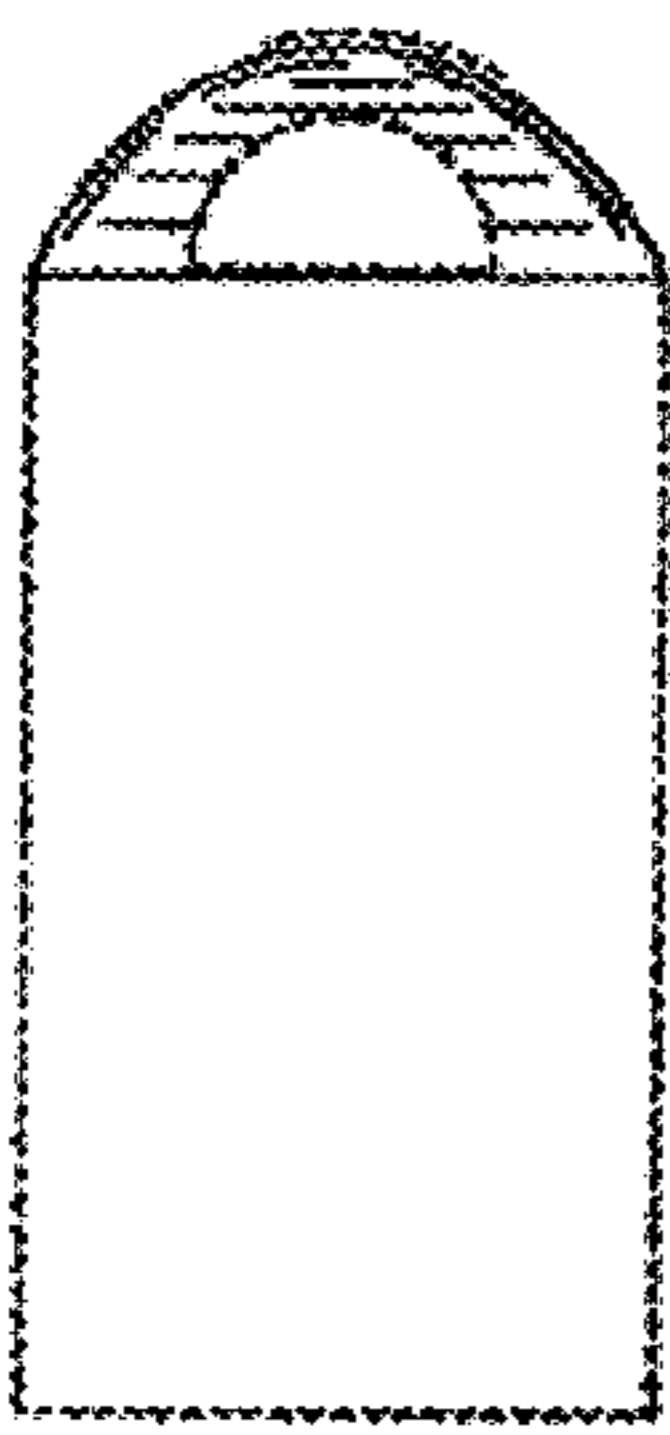


FIG. 4

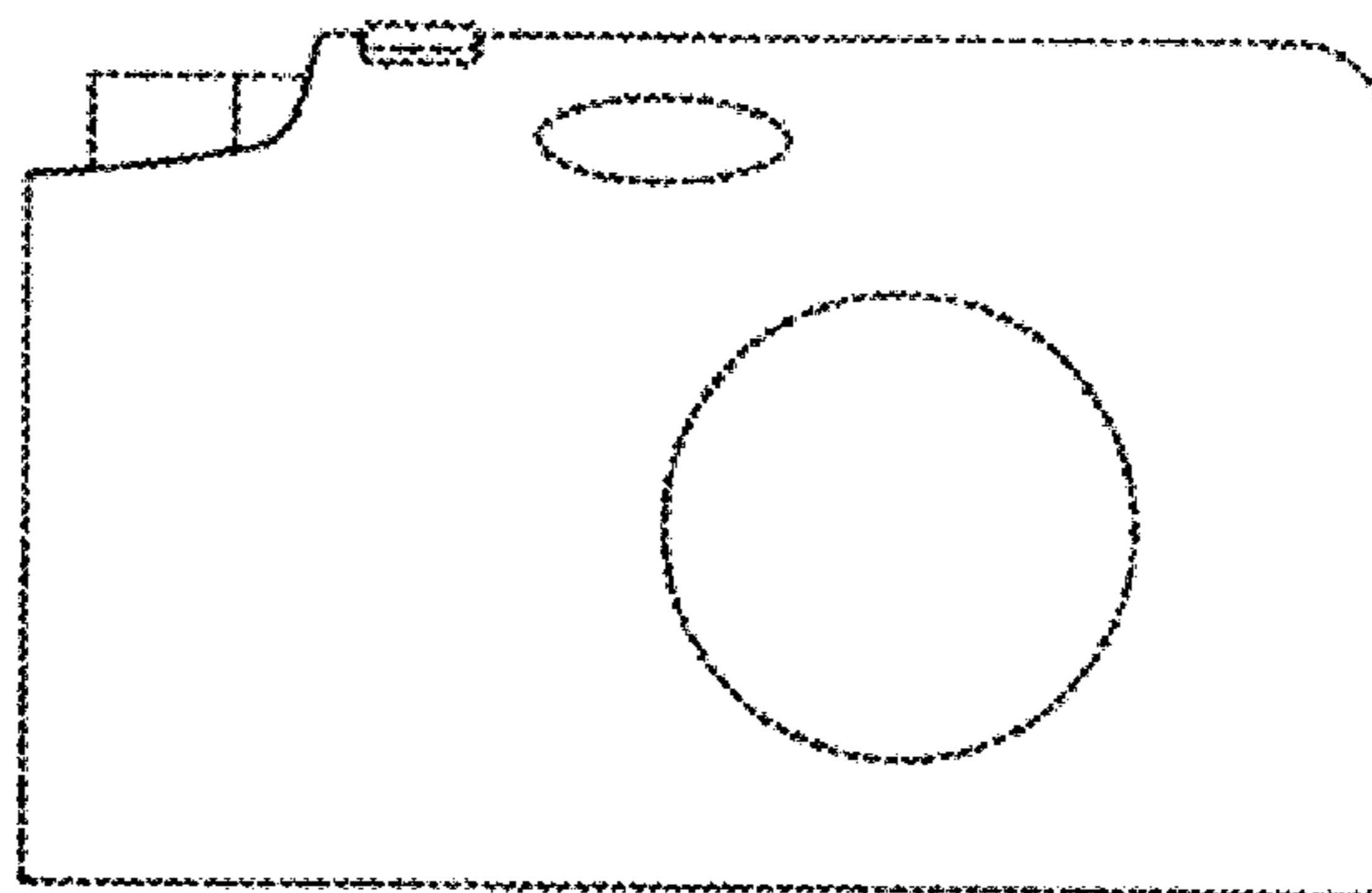


FIG. 5



FIG. 6

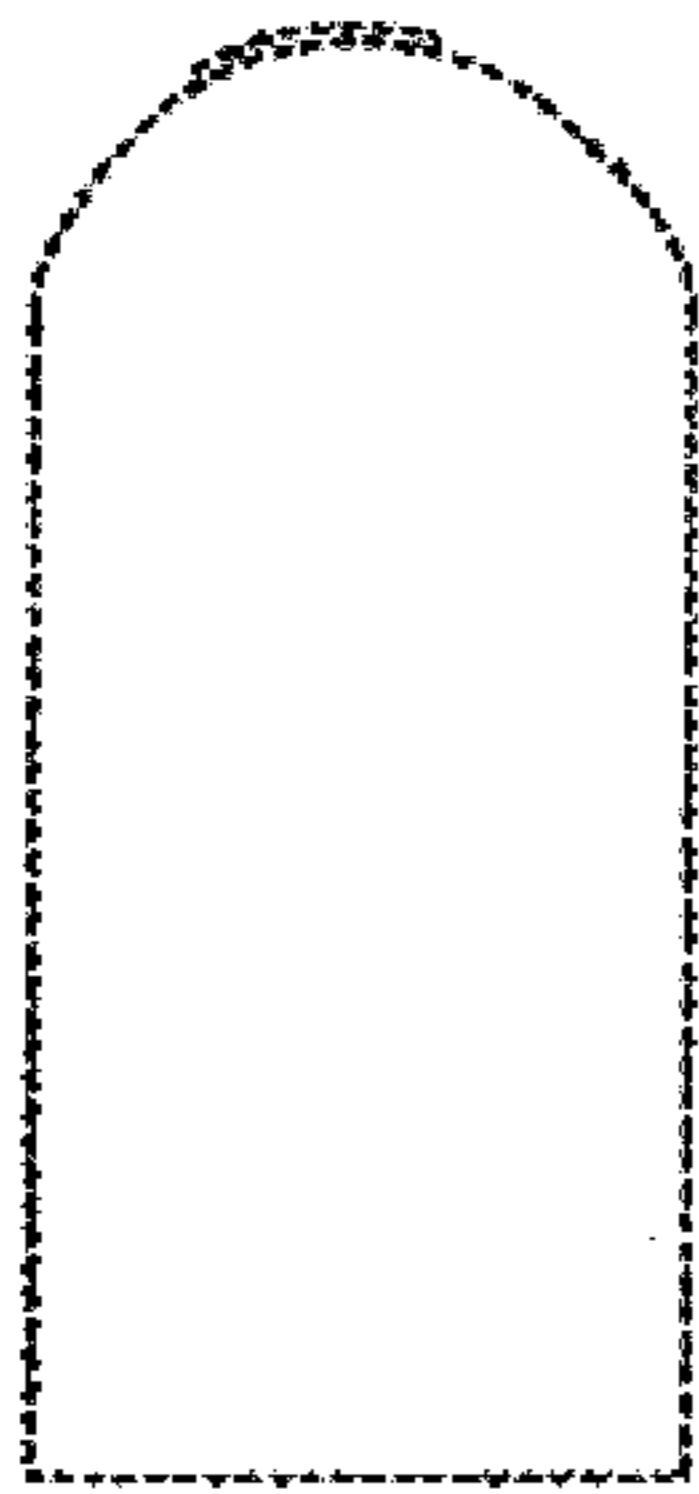


FIG. 7

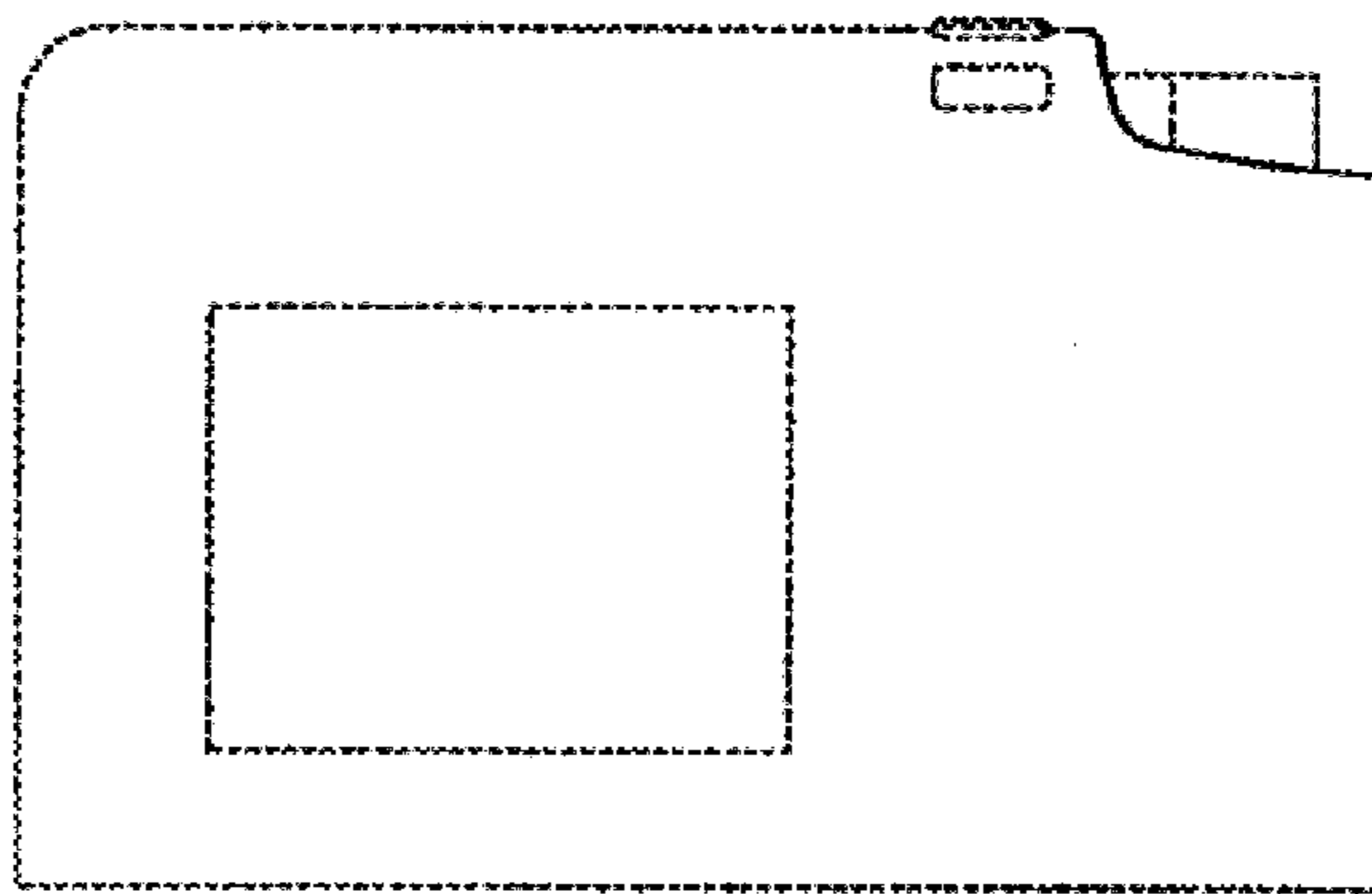


FIG. 8