



US00D537463S

(12) **United States Design Patent**
Sadatsuki

(10) **Patent No.:** **US D537,463 S**

(45) **Date of Patent:** **** Feb. 27, 2007**

(54) **VIDEO CAMERA**

(75) Inventor: **Koichi Sadatsuki**, Tokyo (JP)

(73) Assignee: **Sony Corporation**, Tokyo (JP)

(**) Term: **14 Years**

(21) Appl. No.: **29/245,995**

(22) Filed: **Jan. 4, 2006**

Related U.S. Application Data

(62) Division of application No. 29/233,022, filed on Jun. 28, 2005.

(30) **Foreign Application Priority Data**

Dec. 28, 2004 (JP) D2004-040413

(51) **LOC (8) Cl.** **16-05**

(52) **U.S. Cl.** **D16/219; D16/202**

(58) **Field of Classification Search** D16/200–206,
D16/208, 218, 219; 348/373–376; 358/906,
358/909.1; 396/535–541

See application file for complete search history.

(56) **References Cited**

U.S. PATENT DOCUMENTS

6,033,130	A	*	3/2000	Muroi et al.	396/535
D435,574	S		12/2000	Miyashita		
6,393,225	B1	*	5/2002	Yamada	396/535
D463,467	S		9/2002	Sumita		
D474,793	S	*	5/2003	Yoshida	D16/202

D496,061	S		9/2004	Hayashi		
D500,069	S	*	12/2004	Hayashi	D16/219
D500,512	S		1/2005	Hayashi		
D500,776	S	*	1/2005	Miyashita	D16/202
D512,088	S	*	11/2005	Yatabe	D16/219

OTHER PUBLICATIONS

Web page “DCR–DVD403” <http://www.sony.jp/products/Consumer/handcam/PRODUCTS/DCR–DVD403/>, 4 sheets, Sony Marketing (May 2005).

* cited by examiner

Primary Examiner—Adir Aronovich

(74) *Attorney, Agent, or Firm*—Rader, Fishman & Grauer PLLC

(57) **CLAIM**

The ornamental design for a video camera, as shown and described.

DESCRIPTION

FIG. 1 is a perspective view of a video camera showing my new design;

FIG. 2 is a front elevational view thereof;

FIG. 3 is a rear elevational view thereof;

FIG. 4 is a left side elevational view thereof;

FIG. 5 is a right side elevational view thereof; and,

FIG. 6 is a top plan view thereof.

Portions of FIGS. 1–6 that are shown as broken lines are for illustrative purposes only and form no part of the claimed design.

1 Claim, 6 Drawing Sheets

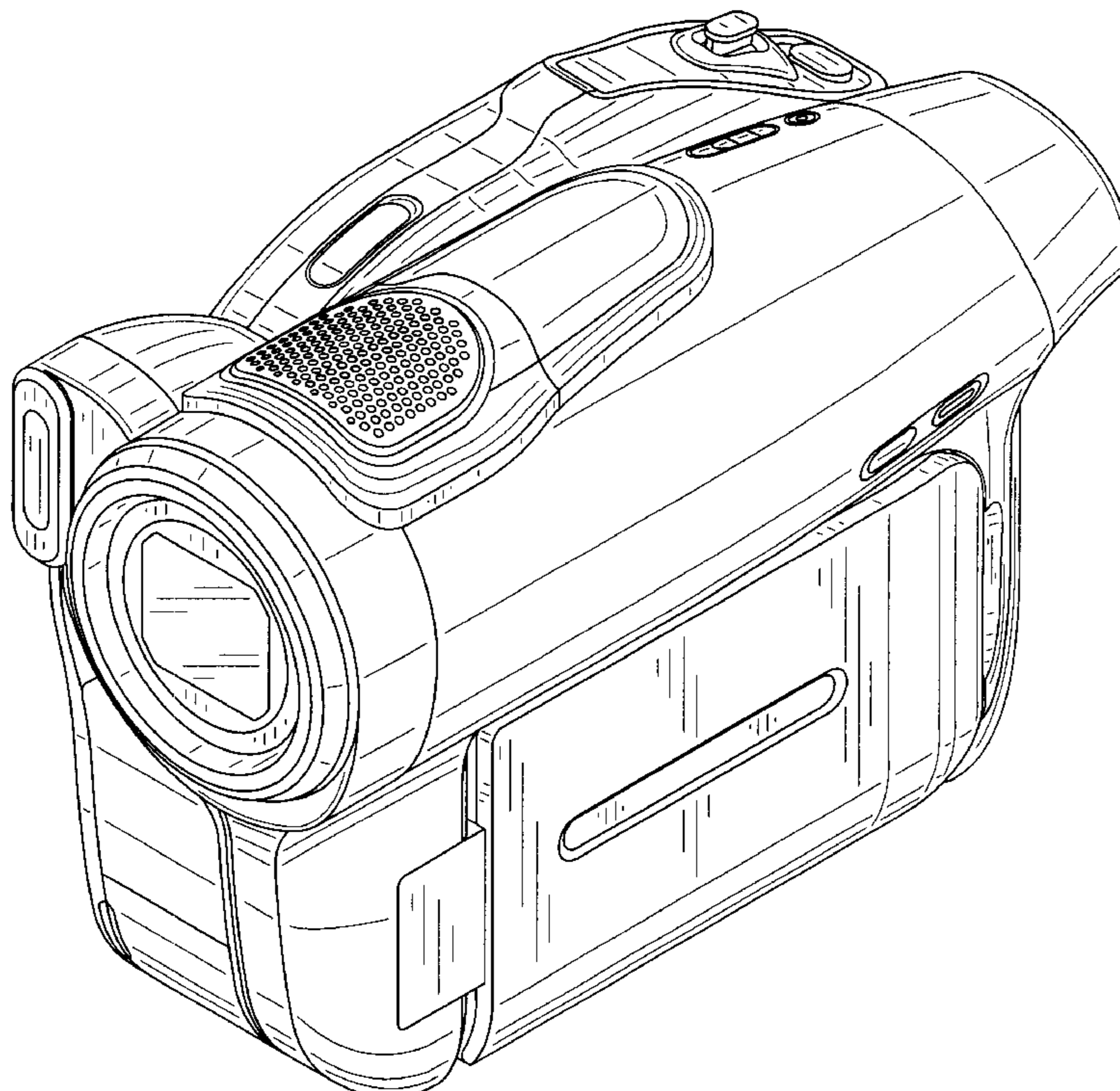


Fig. 1

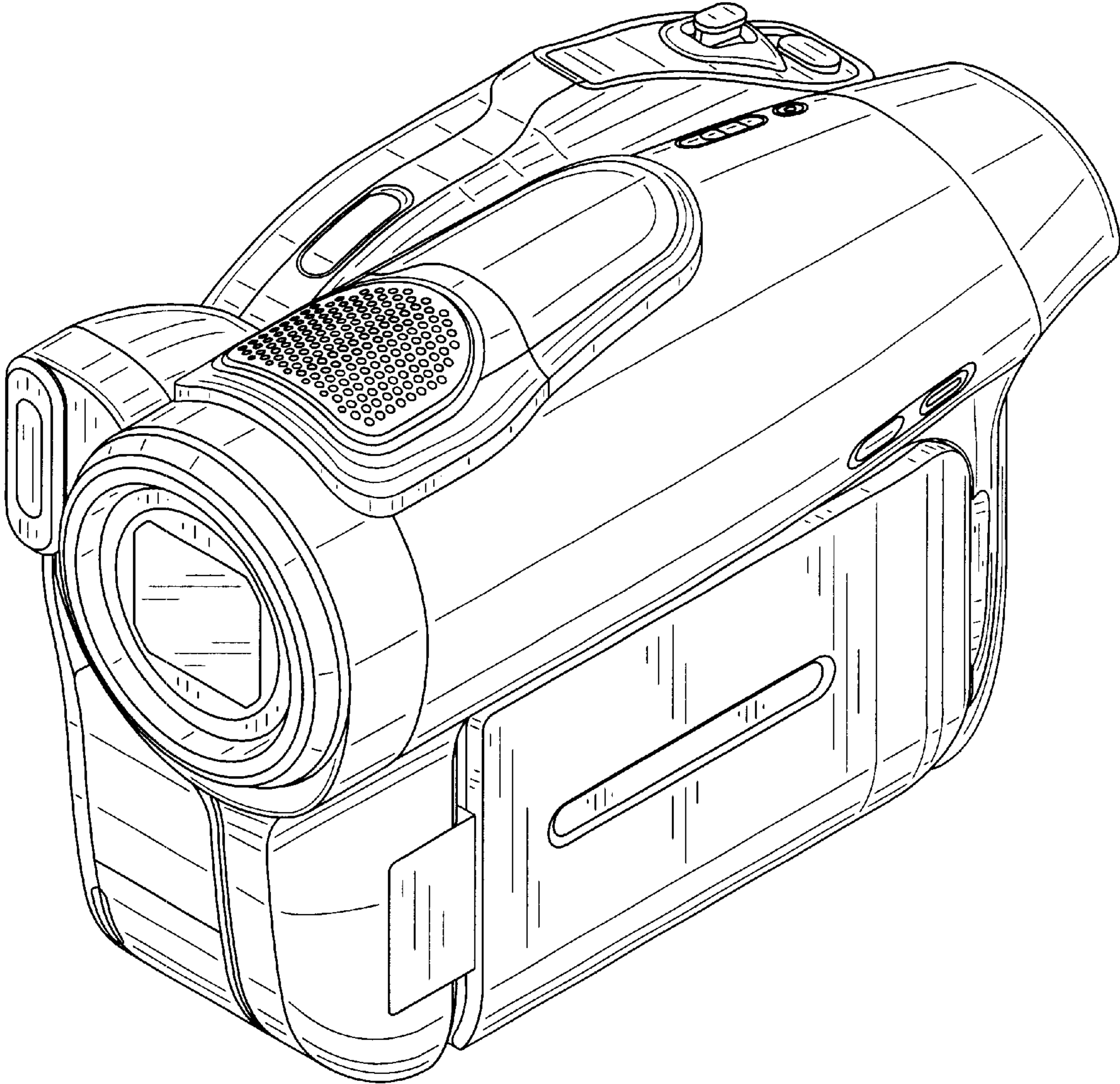


Fig.2

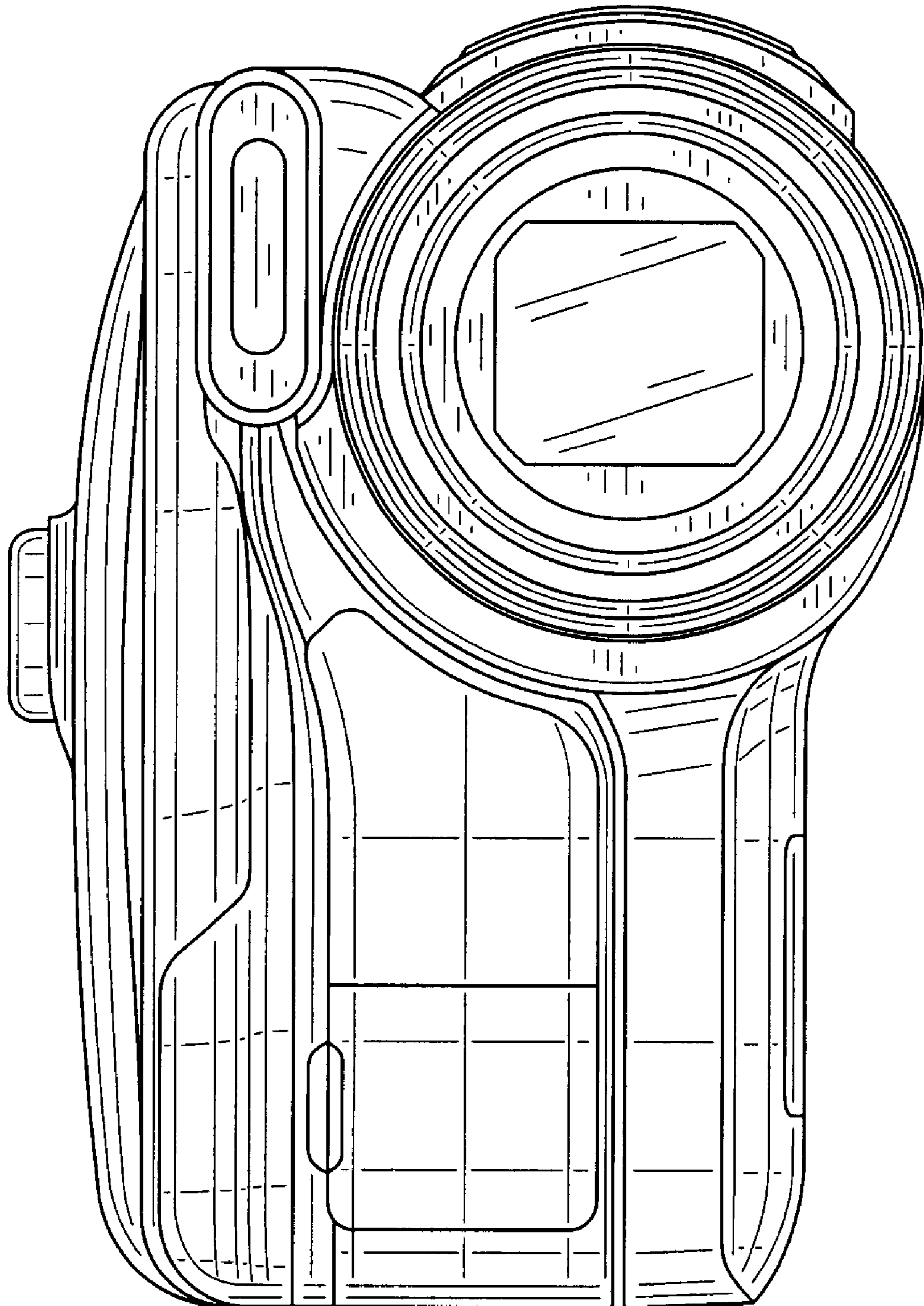


Fig.3

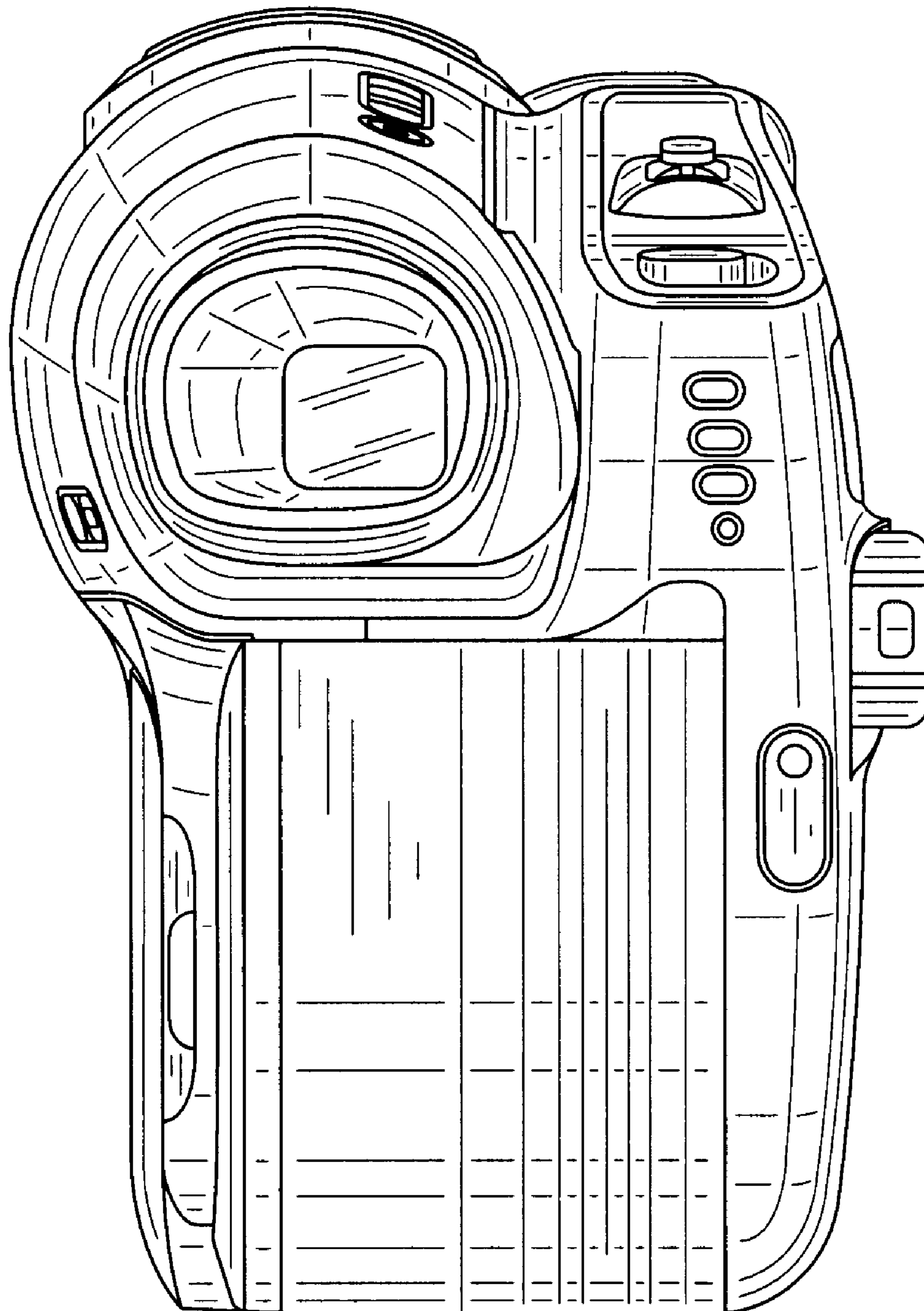


Fig.4

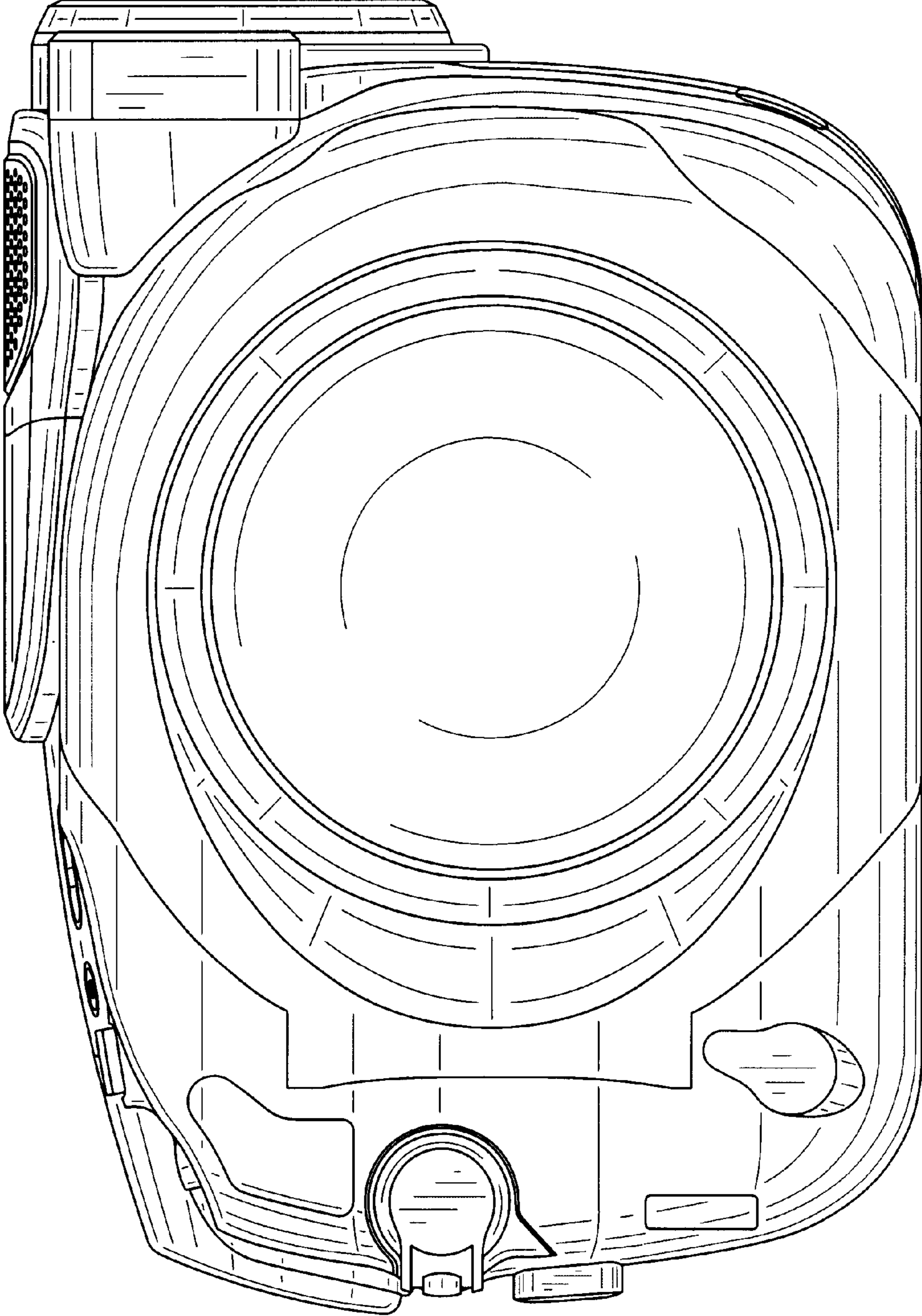


Fig. 5

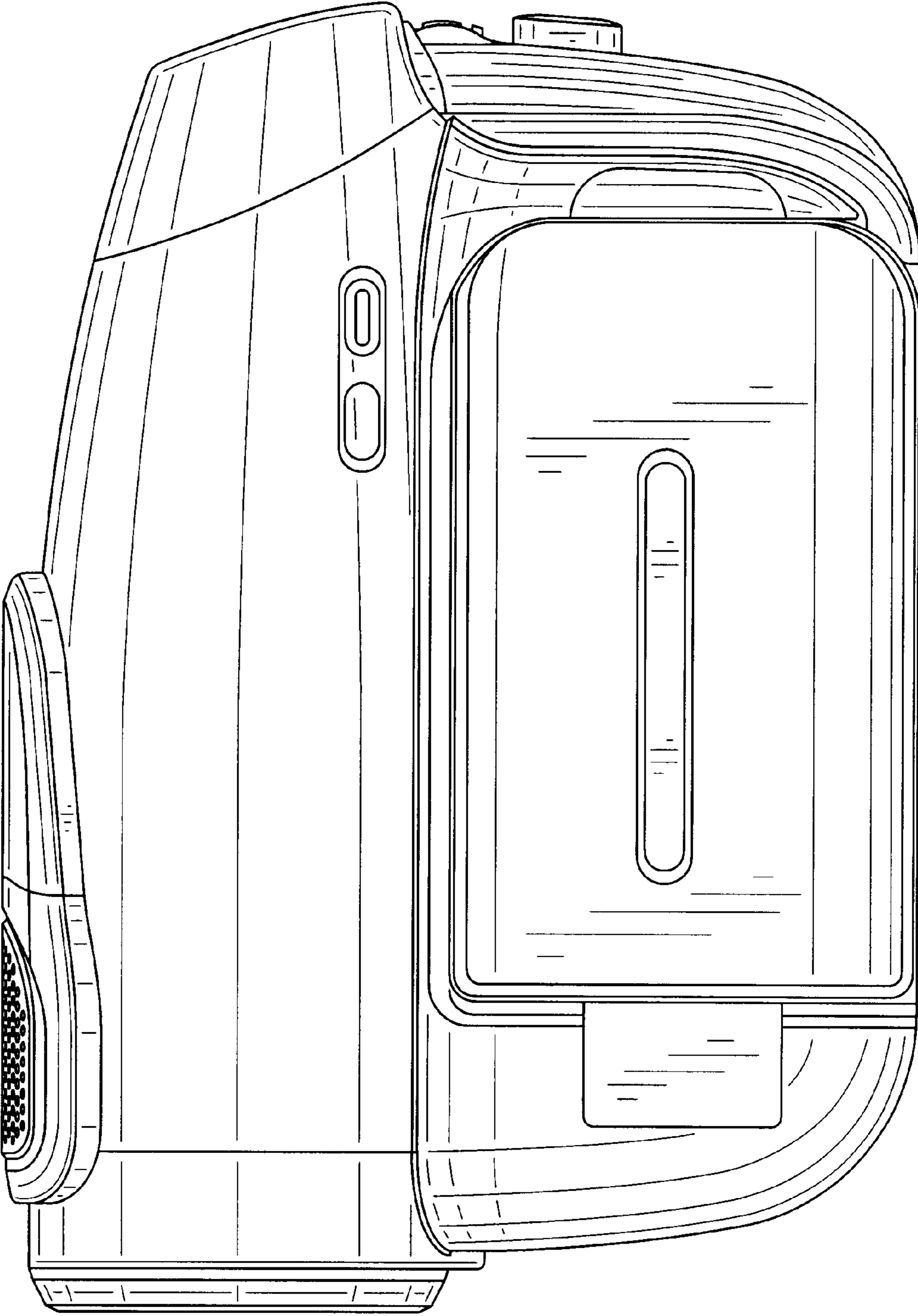


Fig.6

