



US00D537462S

(12) **United States Design Patent**  
**Tokiwa et al.**

(10) **Patent No.:** **US D537,462 S**

(45) **Date of Patent:** **\*\* Feb. 27, 2007**

(54) **LENS ADAPTOR**

(75) Inventors: **Kentaro Tokiwa**, Asaka (JP); **Takehiko Senba**, Asaka (JP); **Hiroshi Tanaka**, Asaka (JP)

(73) Assignee: **Fuji Photo Film Co., Ltd.**, Kanagawa (JP)

(\*\*) **Term:** **14 Years**

(21) **Appl. No.:** **29/235,884**

(22) **Filed:** **Aug. 9, 2005**

(30) **Foreign Application Priority Data**

Feb. 10, 2005 (JP) ..... 2005-003643

(51) **LOC (8) Cl.** ..... **16-05**

(52) **U.S. Cl.** ..... **D16/219; D16/134**

(58) **Field of Classification Search** ..... D16/134,  
D16/136, 200, 202, 218, 219; 348/373-376;  
358/909.1; 359/815, 819, 826-828; 396/529-532,  
396/535, 540, 541, 544

See application file for complete search history.

(56) **References Cited**

**U.S. PATENT DOCUMENTS**

- 3,931,629 A \* 1/1976 Himmelsbach ..... 359/826
- 4,330,192 A \* 5/1982 Shimizu ..... 396/529
- 5,040,011 A \* 8/1991 Tiffen ..... 396/544
- 6,270,266 B1 \* 8/2001 Fukuda et al. .... 396/535

- D478,110 S \* 8/2003 Nasu ..... D16/219
- D505,437 S \* 5/2005 Do ..... D16/134
- D510,945 S \* 10/2005 Do ..... D16/219

\* cited by examiner

*Primary Examiner*—Adir Aronovich

(74) *Attorney, Agent, or Firm*—Young & Thompson

(57) **CLAIM**

The ornamental design for an lens adaptor, as shown and described.

**DESCRIPTION**

FIG. 1 is a top, front and side perspective view of a lens adaptor showing our new design;

FIG. 2 is a front elevational view thereof;

FIG. 3 is a rear elevational view thereof;

FIG. 4 is a top plan view thereof;

FIG. 5 is a bottom plan view thereof;

FIG. 6 is a side elevational view thereof from the left of FIG. 2;

FIG. 7 is a side elevational view thereof from the right of FIG. 2;

FIG. 8 is a view similar to FIG. 1 with the parts in a different position; and,

FIG. 9 is a reduced top, front and side perspective view thereof, the broken line showing of a lens body and camera housing are included to illustrate the environment only and forms no part of the claimed design.

**1 Claim, 5 Drawing Sheets**

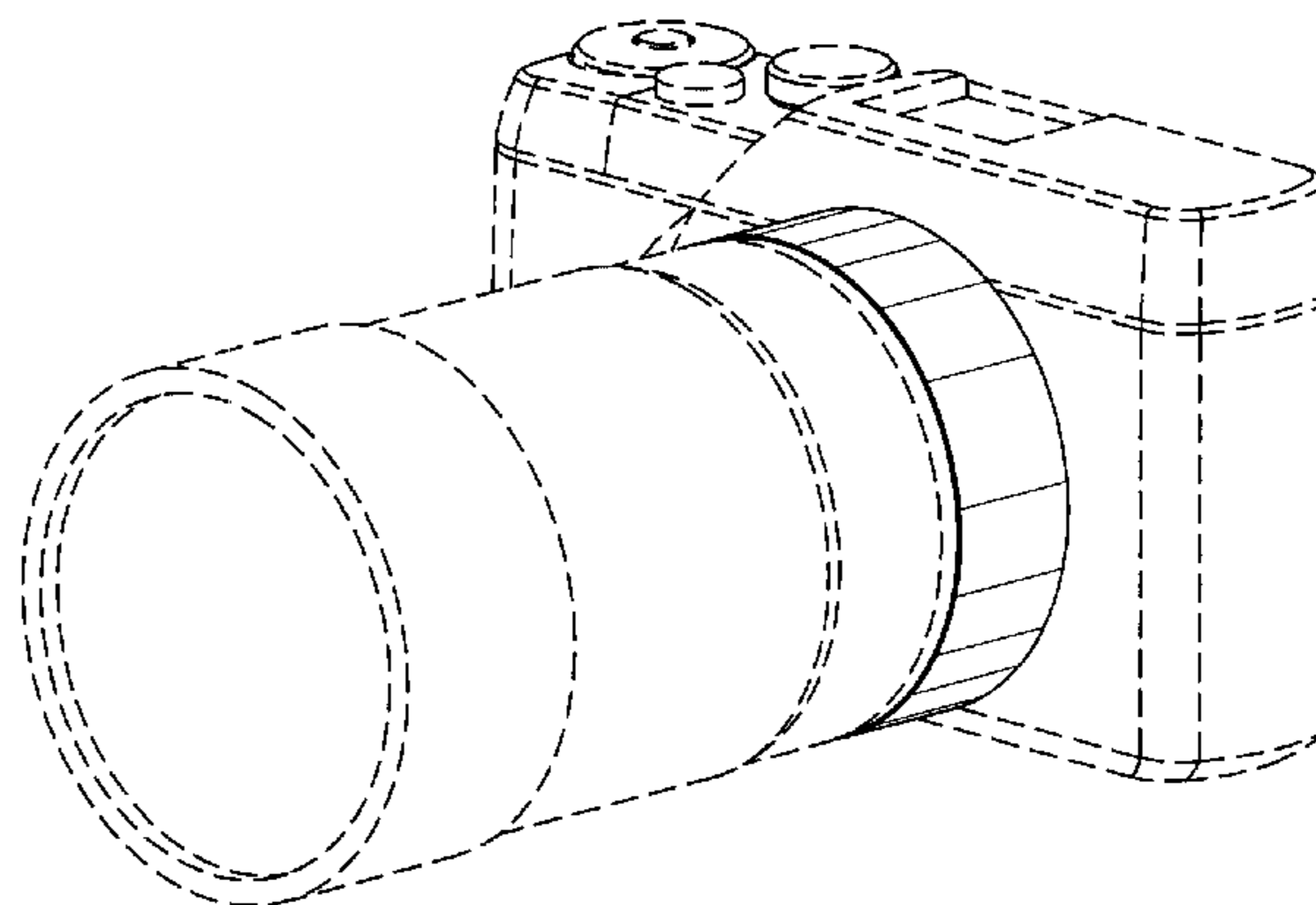
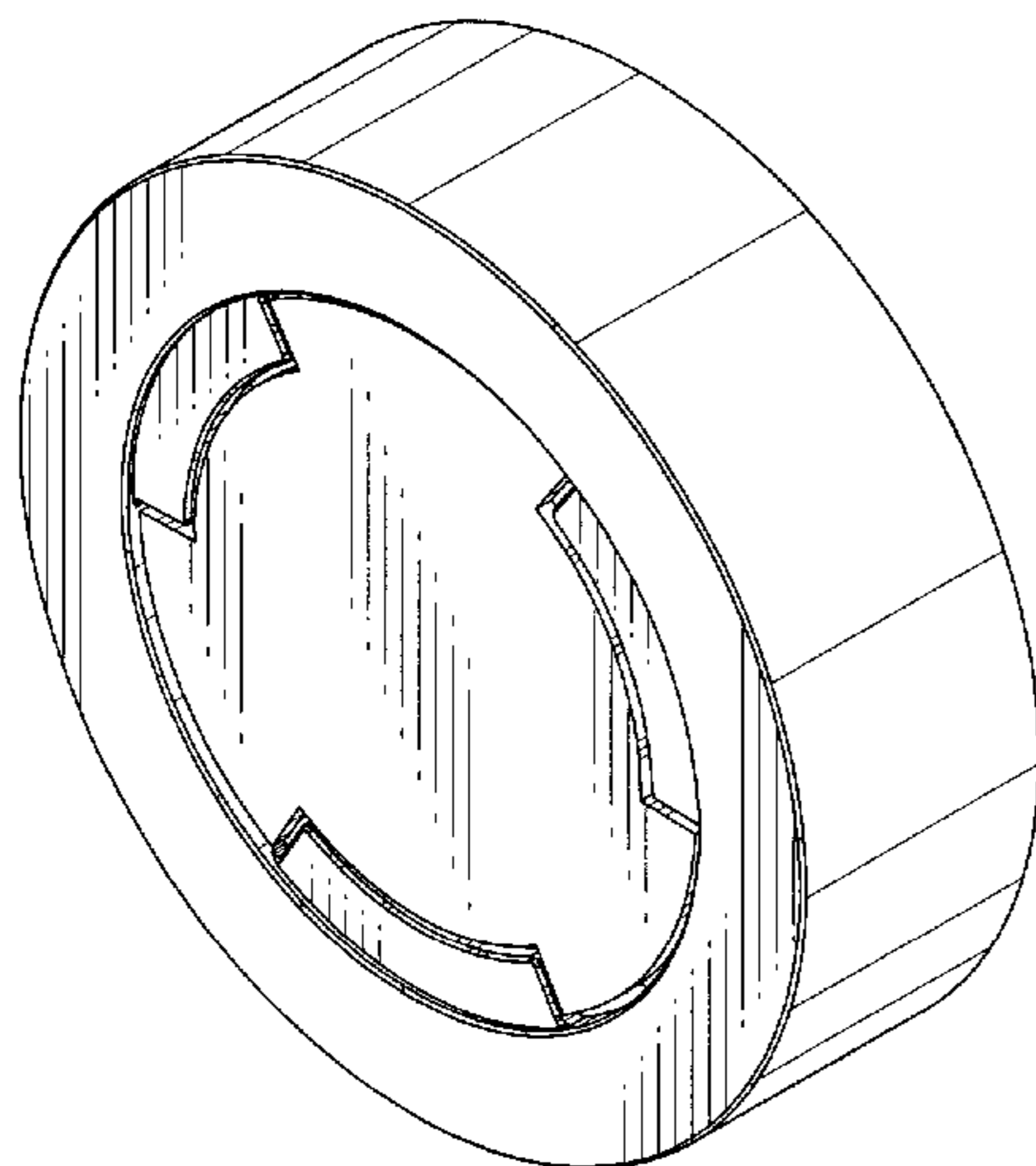


FIG. 1

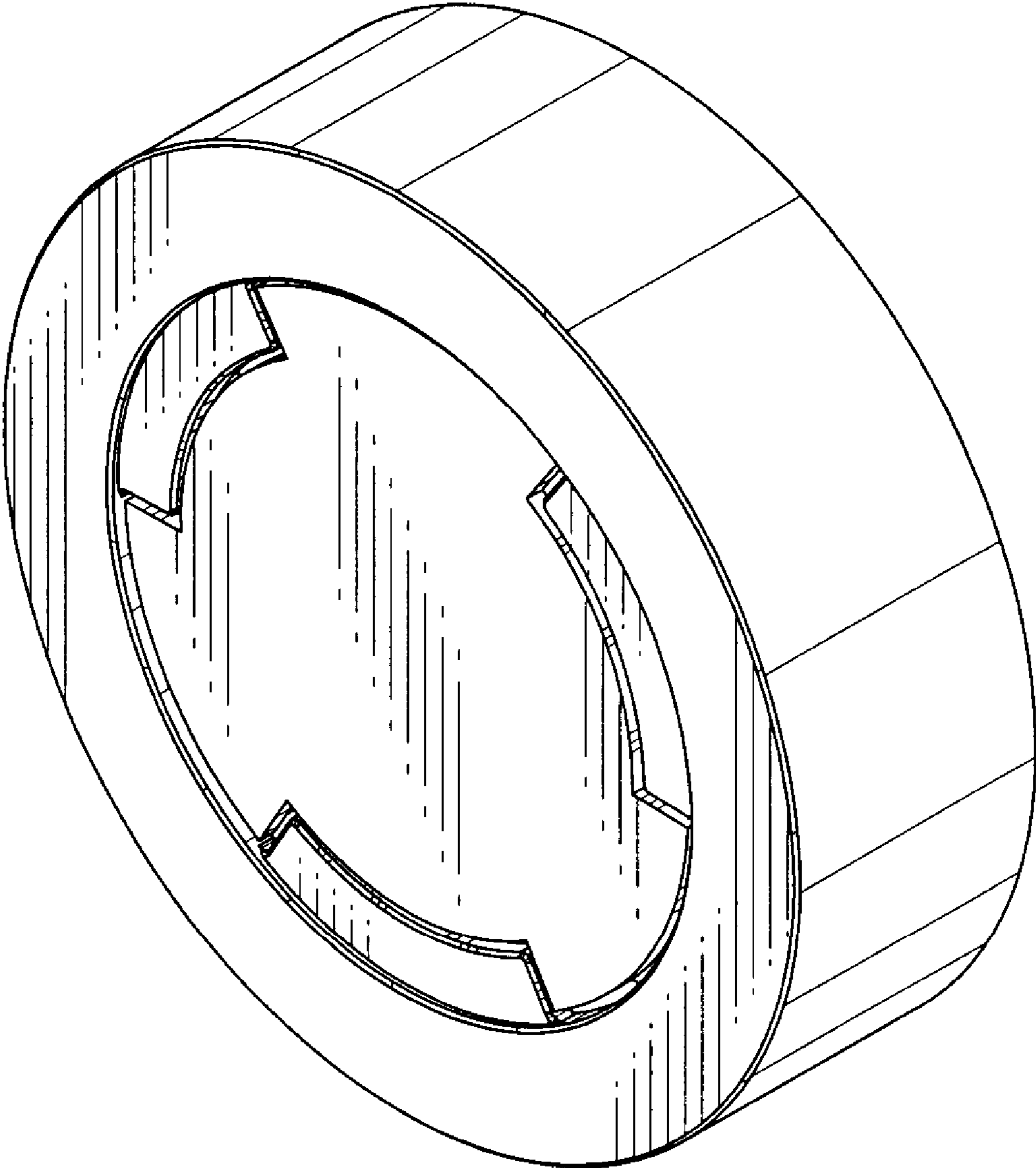


FIG. 2

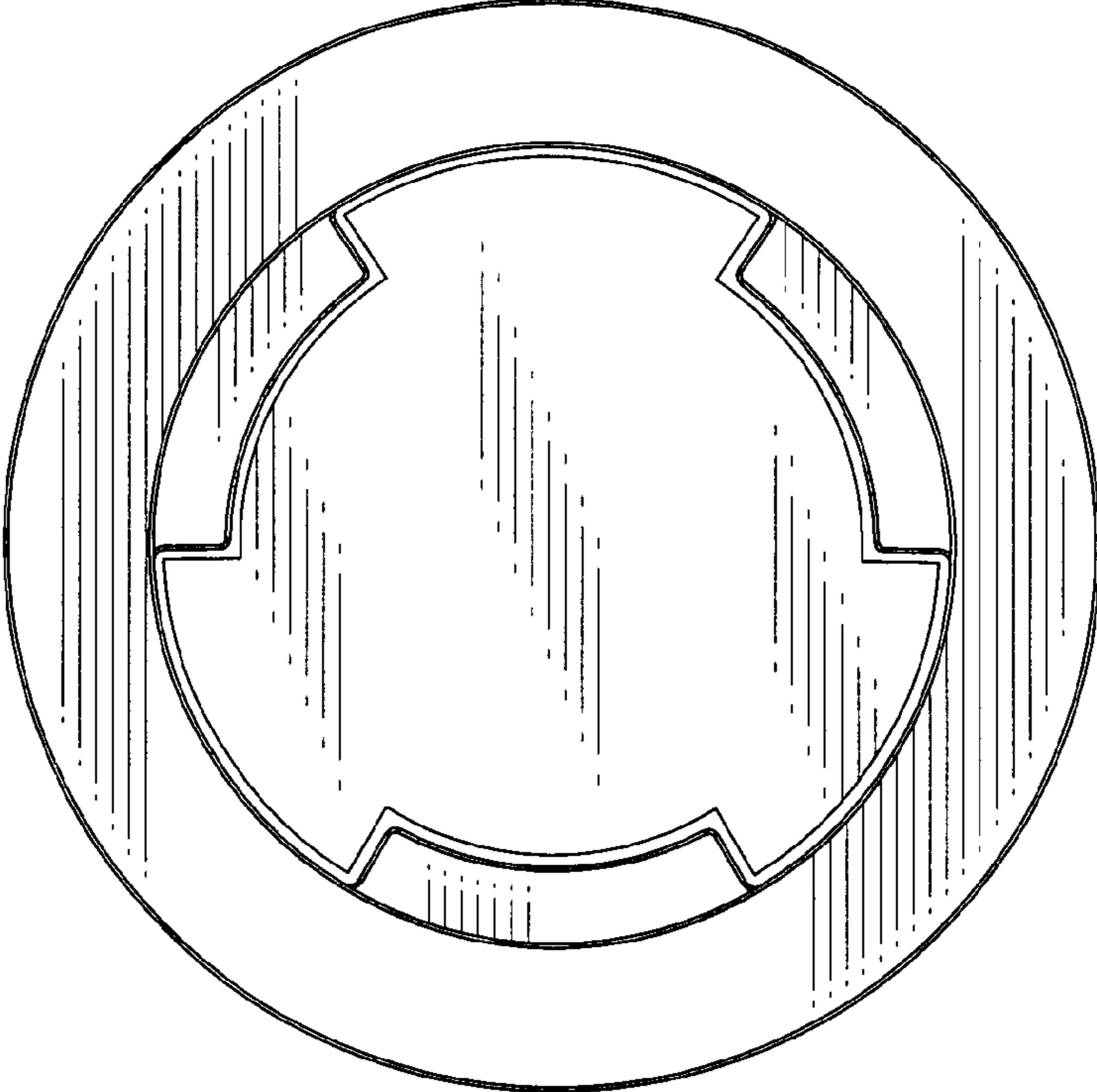


FIG. 3

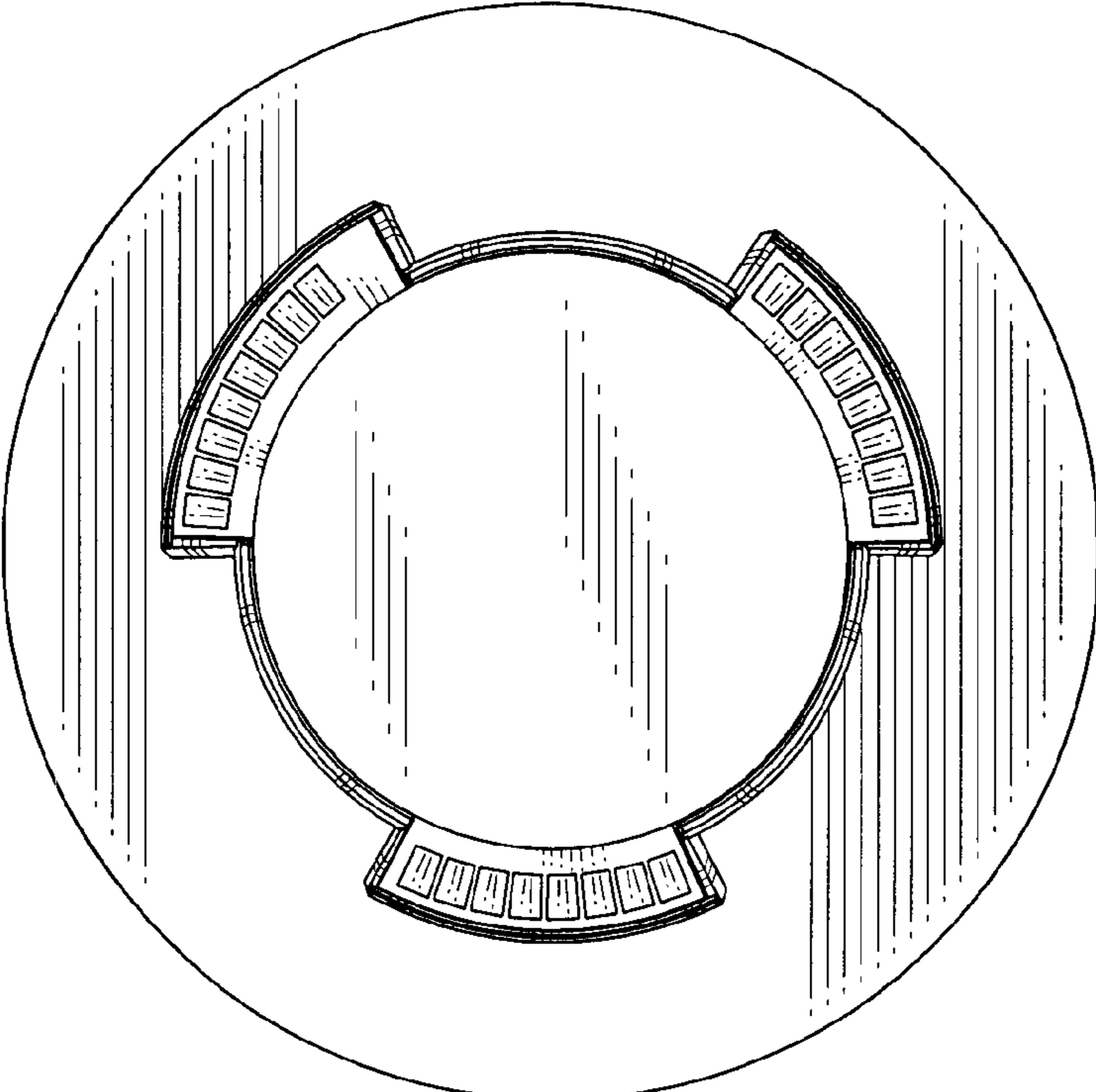


FIG.4

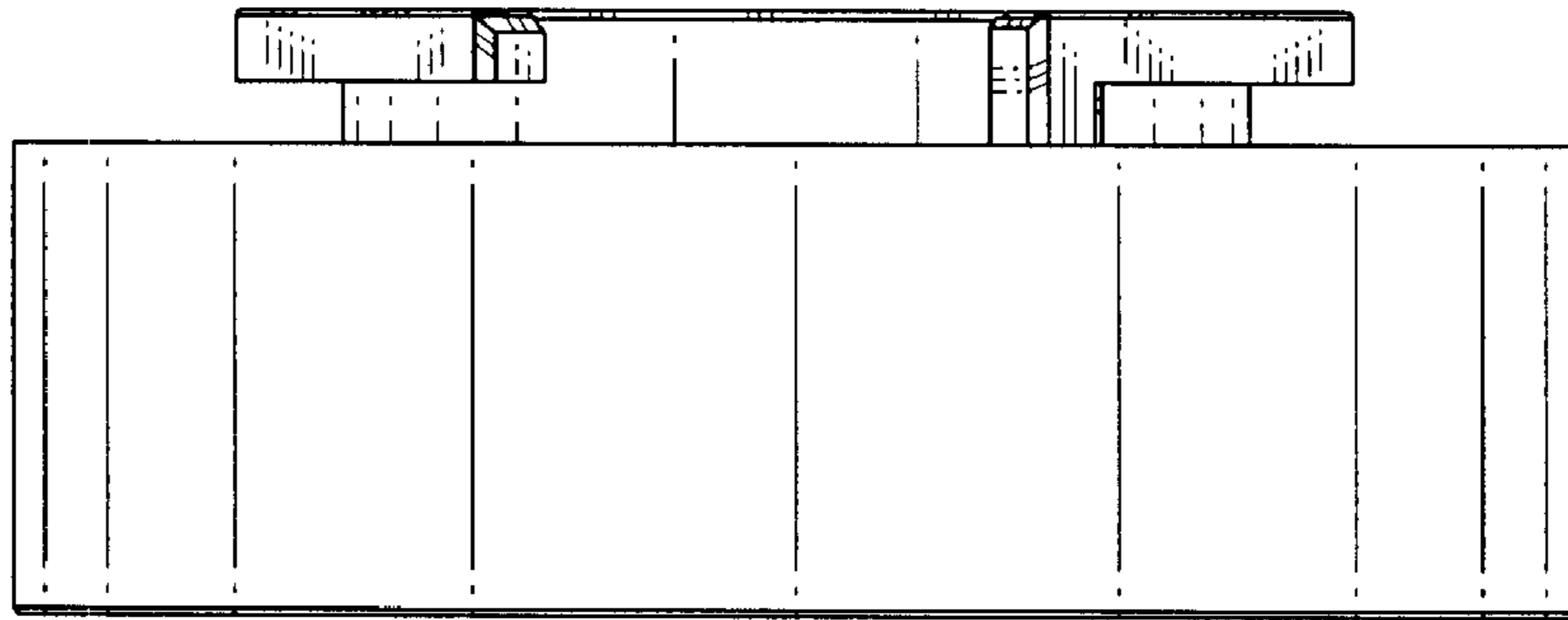


FIG.5

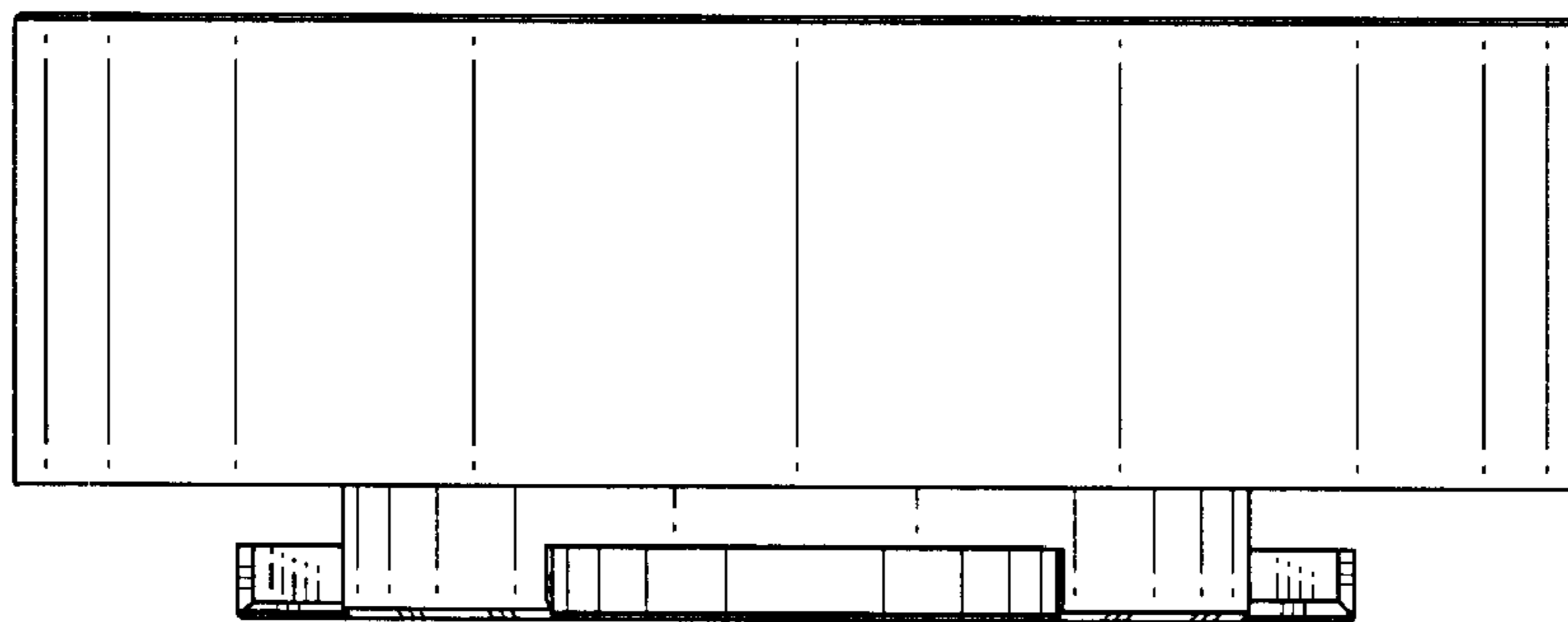


FIG. 6

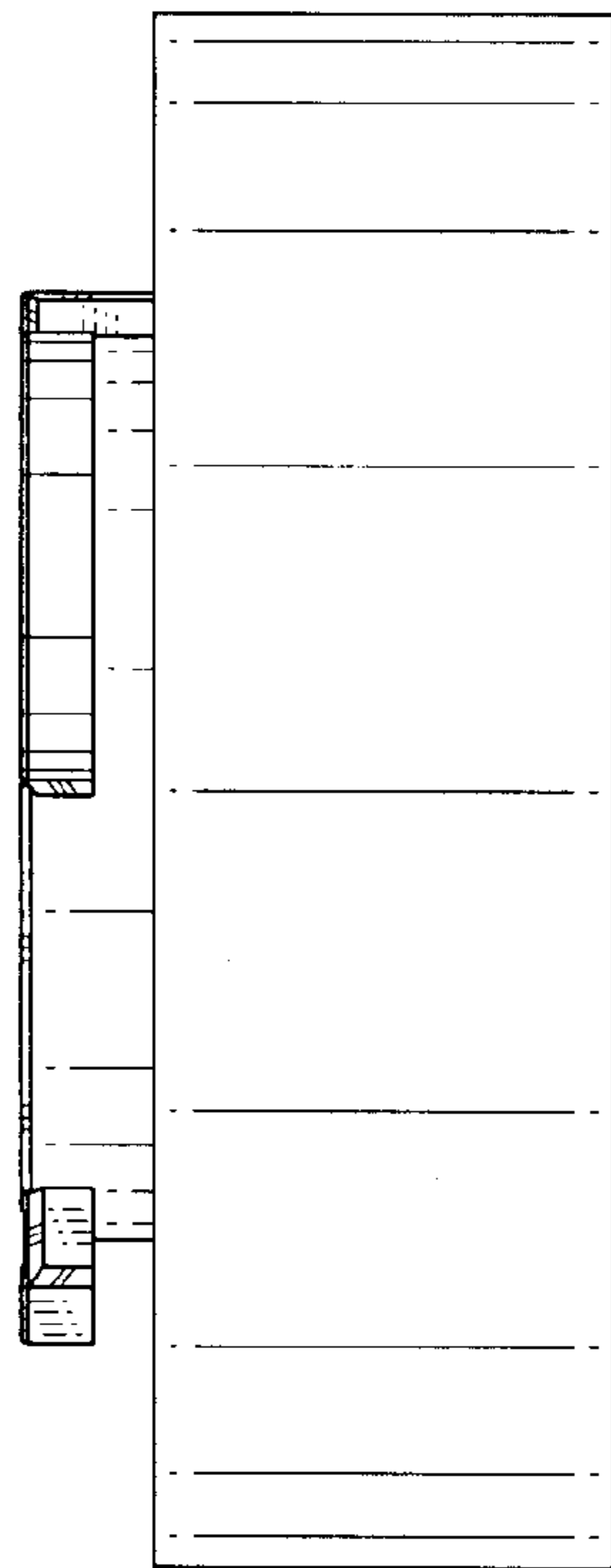


FIG. 7

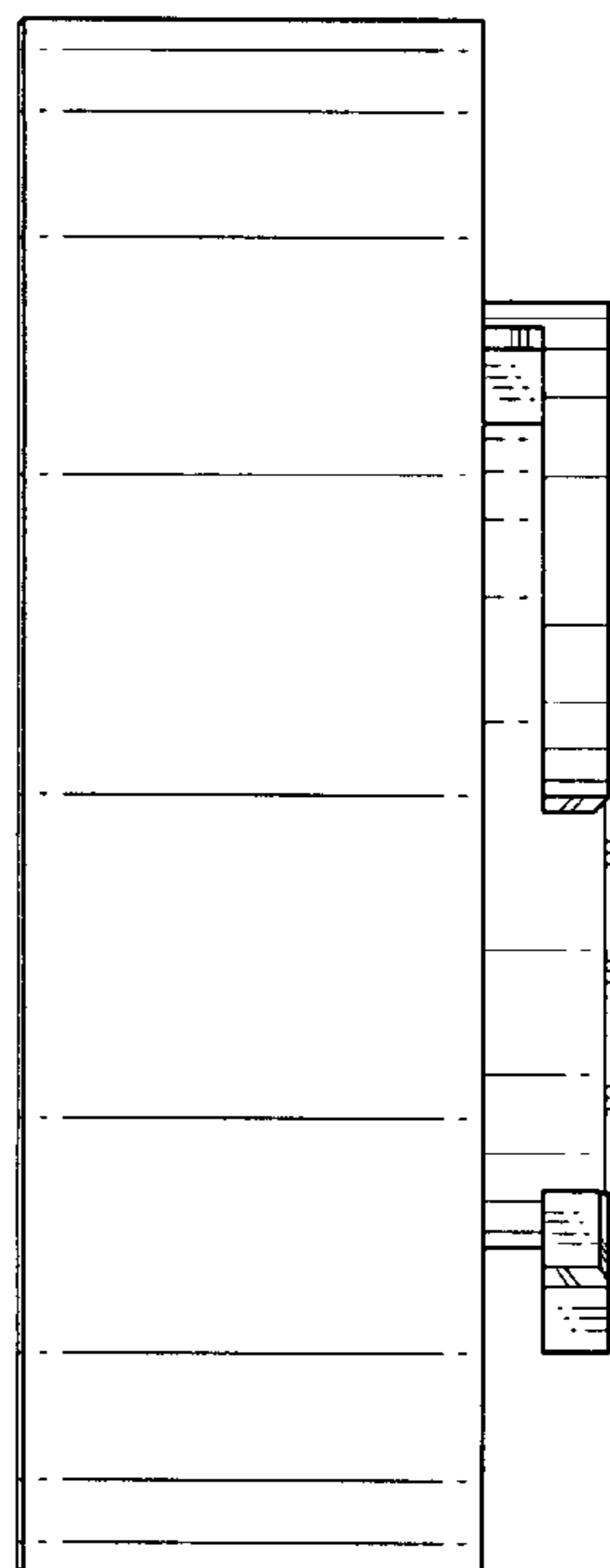


FIG.8

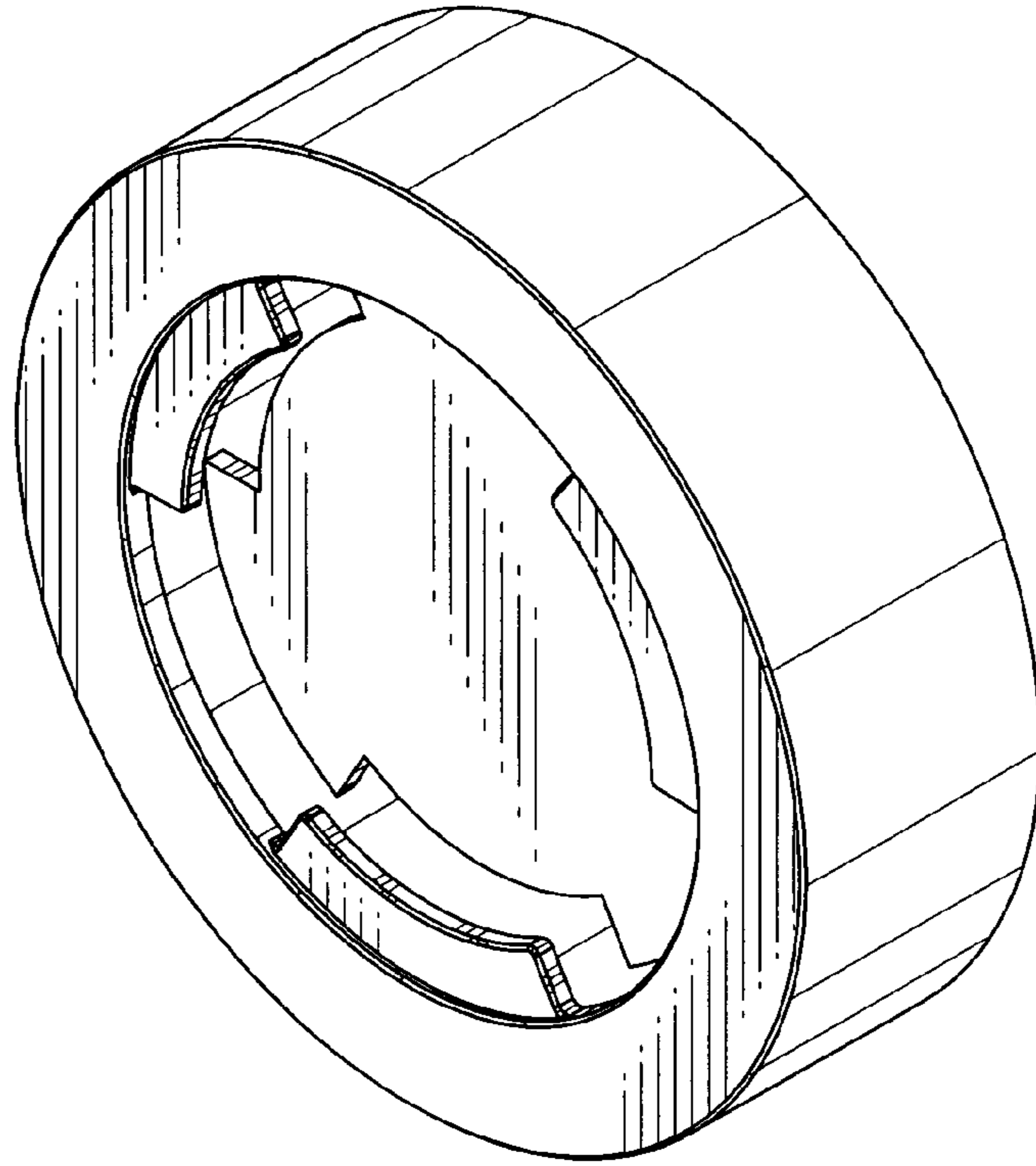


FIG.9

