



US00D537461S

(12) **United States Design Patent**
Tokiwa et al.

(10) **Patent No.:** **US D537,461 S**

(45) **Date of Patent:** **** Feb. 27, 2007**

(54) **LENS FOR CAMERA**

(75) Inventors: **Kentaro Tokiwa**, Asaka (JP); **Takehiko Senba**, Asaka (JP); **Hiroshi Tanaka**, Asaka (JP)

(73) Assignee: **Fuji Photo Film Co., Ltd.**, Kanagawa (JP)

(**) Term: **14 Years**

(21) Appl. No.: **29/235,882**

(22) Filed: **Aug. 9, 2005**

(30) **Foreign Application Priority Data**

Feb. 10, 2005 (JP) 2005-003641

(51) **LOC (8) Cl.** **16-05**

(52) **U.S. Cl.** **D16/219; D16/134**

(58) **Field of Classification Search** D16/134,
D16/136, 200, 202, 218, 219; 348/373-376;
358/909.1; 359/815, 819, 826-828; 396/529-532,
396/535, 540, 541, 544

See application file for complete search history.

(56) **References Cited**

U.S. PATENT DOCUMENTS

D243,172 S * 1/1977 Uetake et al. D16/134
D251,669 S * 4/1979 Ueda et al. D16/134
D252,833 S * 9/1979 Bowser D26/85
4,330,192 A * 5/1982 Shimizu 396/529

4,352,548 A * 10/1982 Toyoda 396/529
4,357,090 A * 11/1982 Araki 396/529
D303,976 S * 10/1989 Kimura et al. D16/134
D412,922 S * 8/1999 Sekine D16/219

* cited by examiner

Primary Examiner—Adir Aronovich

(74) *Attorney, Agent, or Firm*—Young & Thompson

(57) **CLAIM**

The ornamental design for a lens for camera, as shown and described.

DESCRIPTION

FIG. 1 is a top, rear and side perspective view of a lens for camera showing our new design;

FIG. 2 is a rear elevational view thereof;

FIG. 3 is a bottom plan view thereof;

FIG. 4 is a top plan view thereof;

FIG. 5 is a side elevational view thereof from the right of the FIG. 2;

FIG. 6 is a side elevational view thereof from the left of the FIG. 2; and,

FIG. 7 discloses a lens body and camera housing both shown in broken lines to illustrate the environment only and forms no part of the claimed design.

The portions of the lens depicted in broken lines in FIGS. 1-6 are shown for illustrative purposes only and form no part of the claimed design.

1 Claim, 4 Drawing Sheets

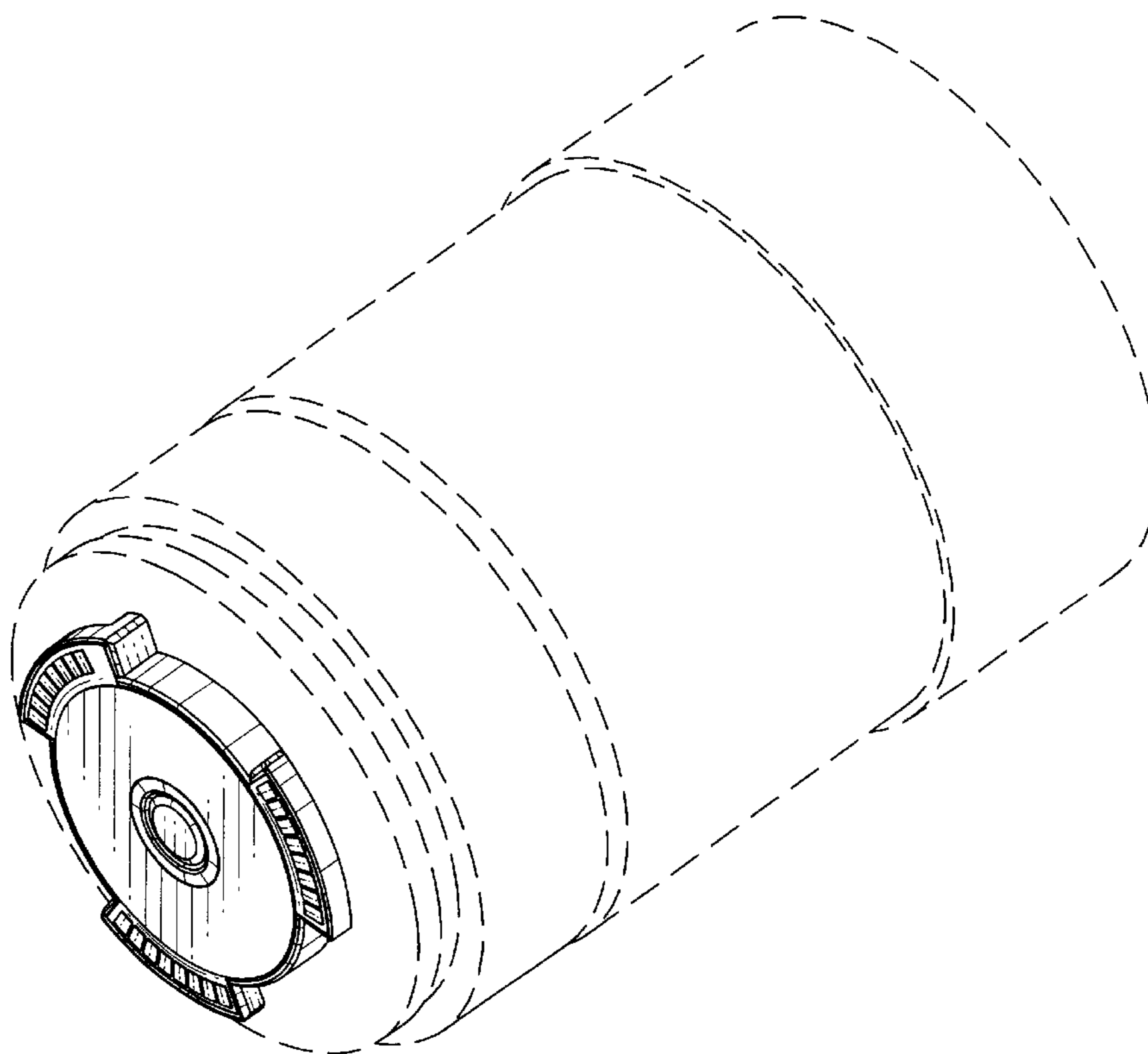


FIG.1

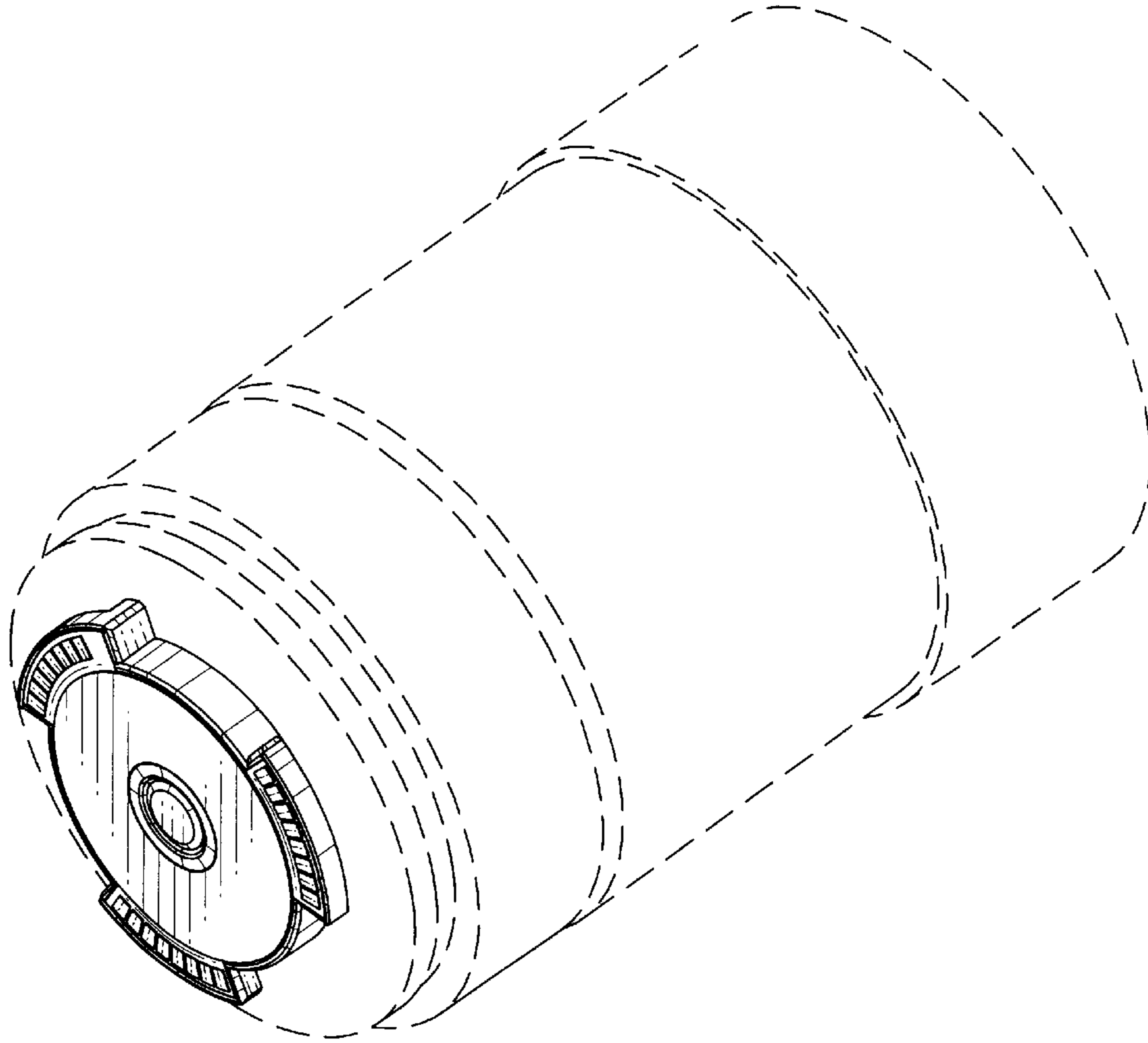


FIG.2

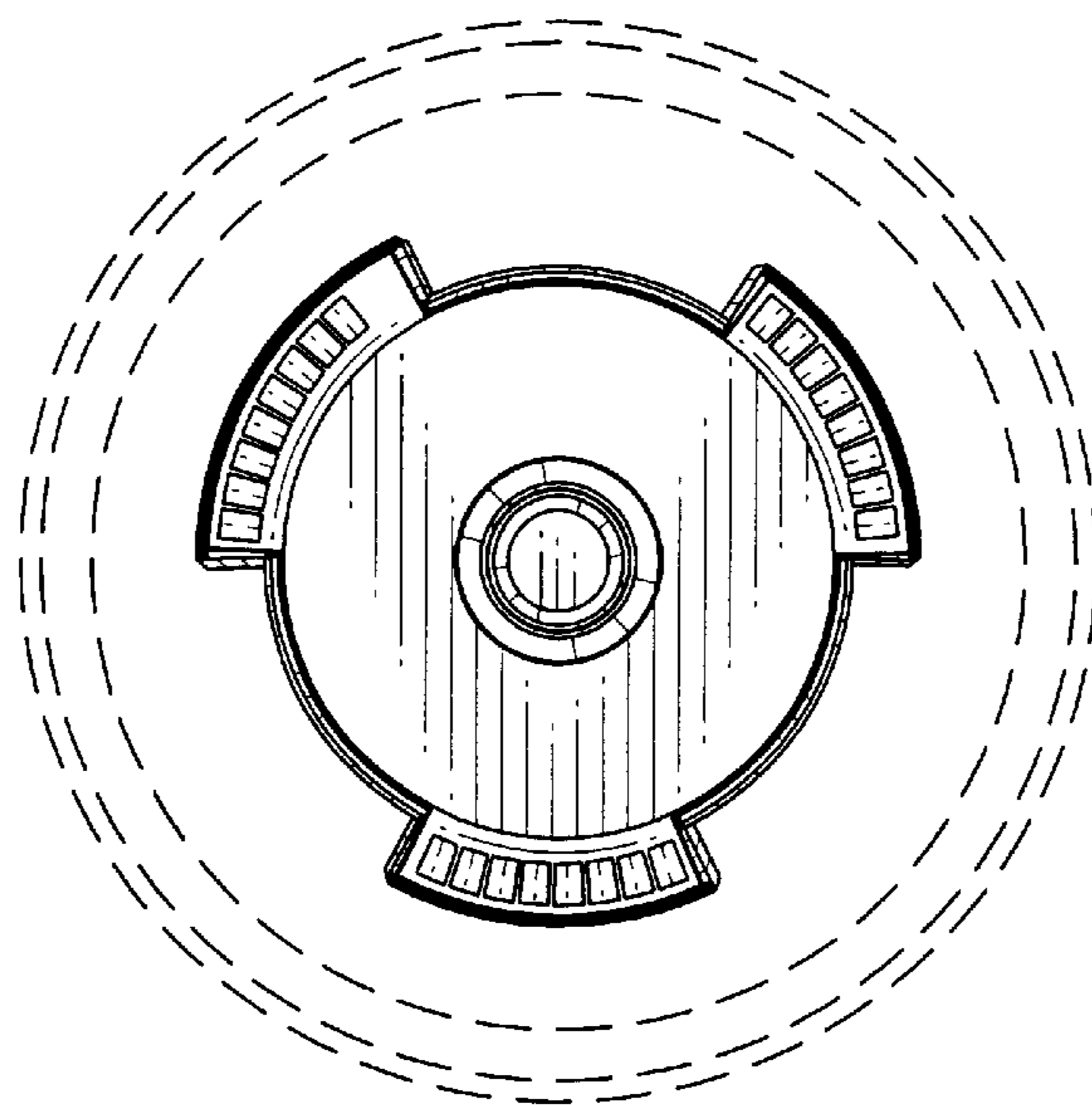


FIG.3

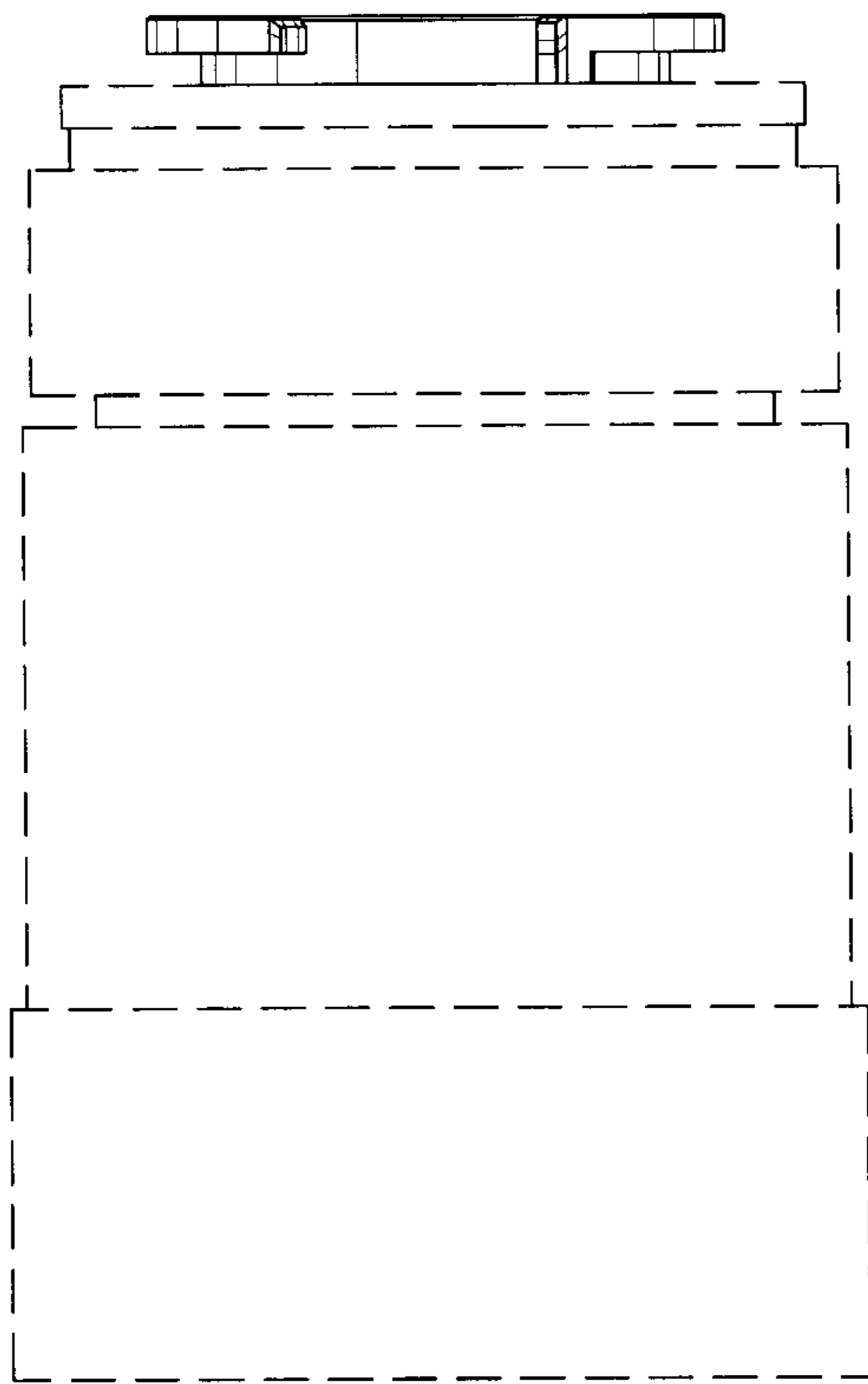


FIG.4

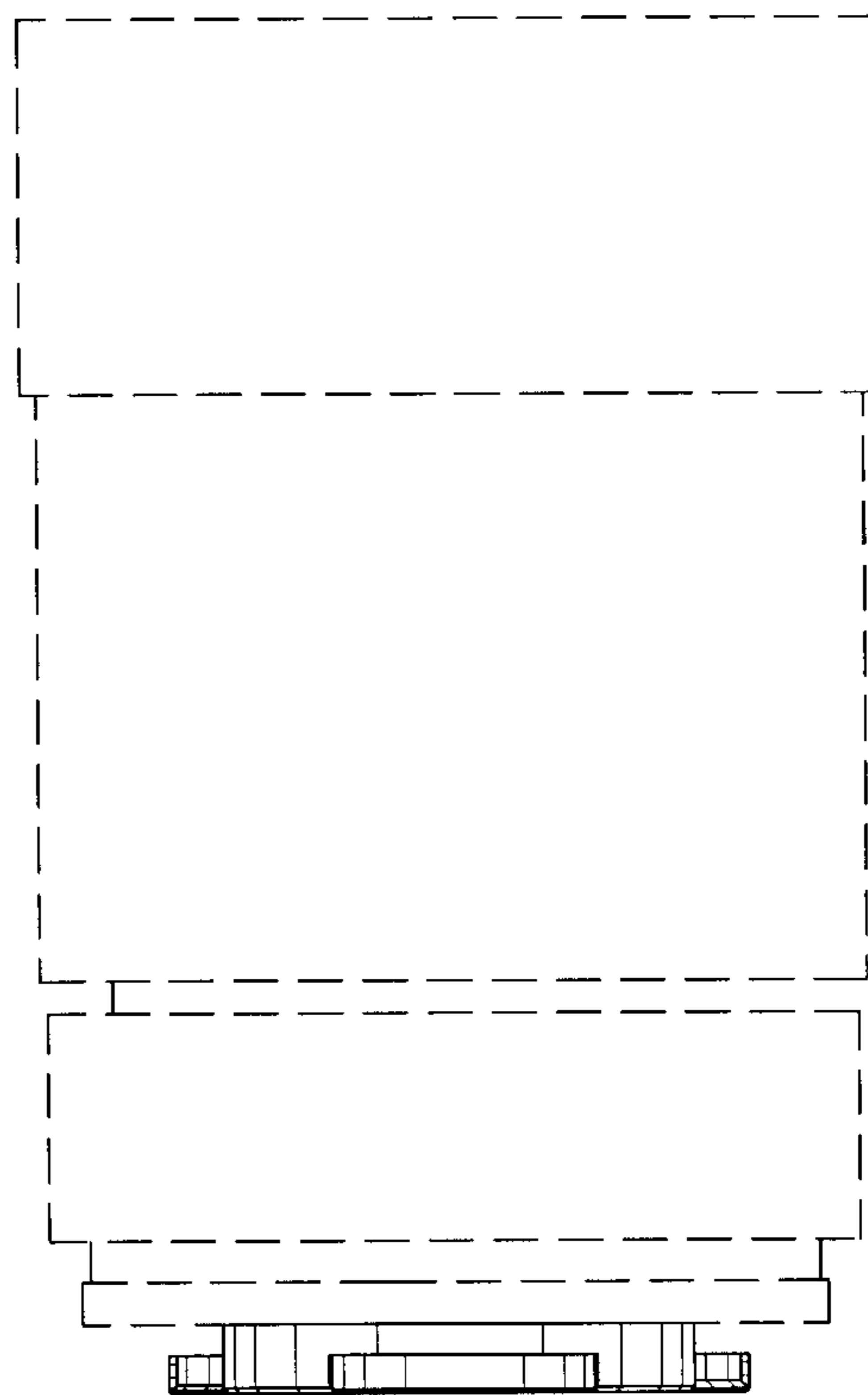


FIG.5

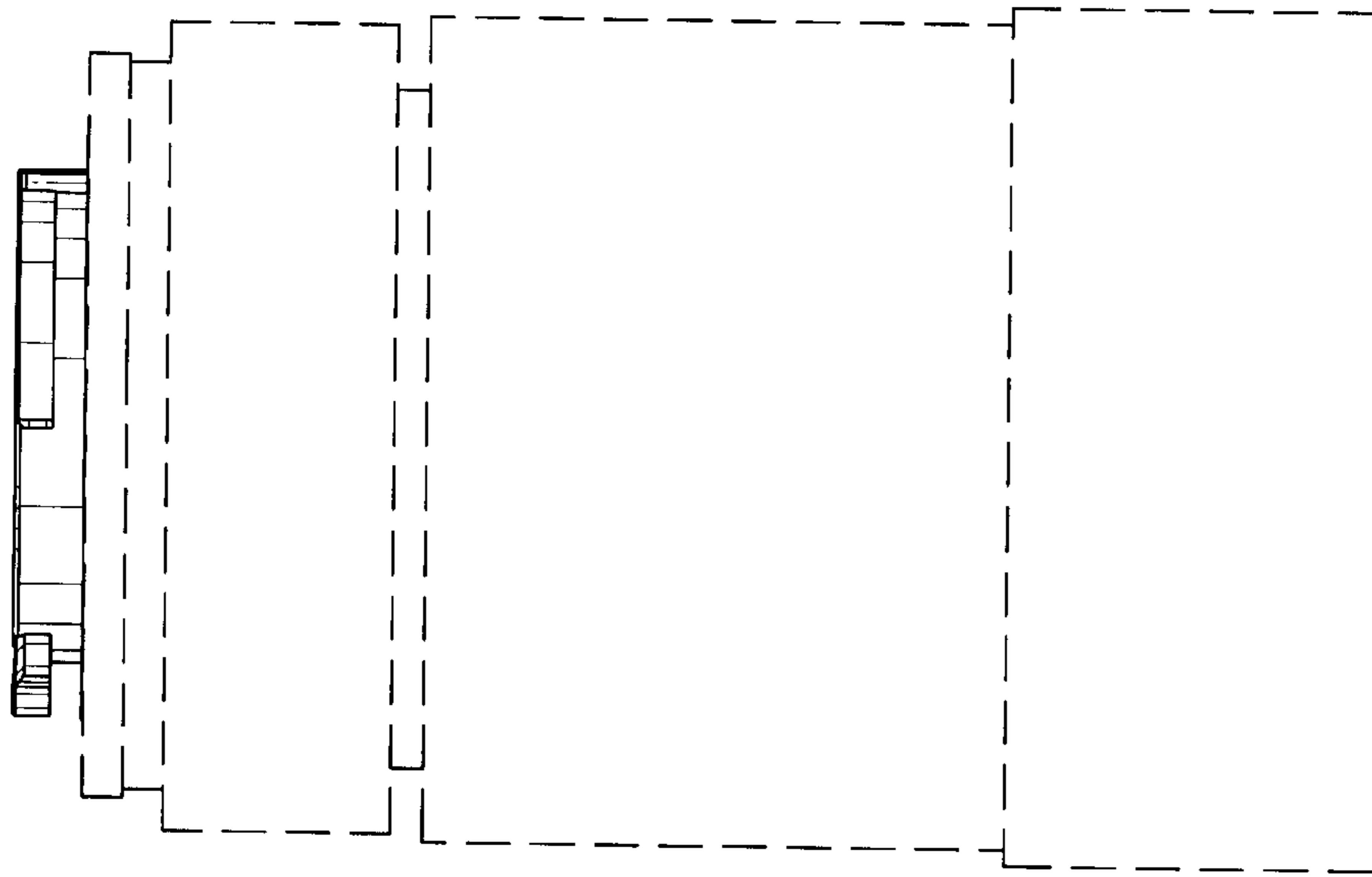


FIG.6

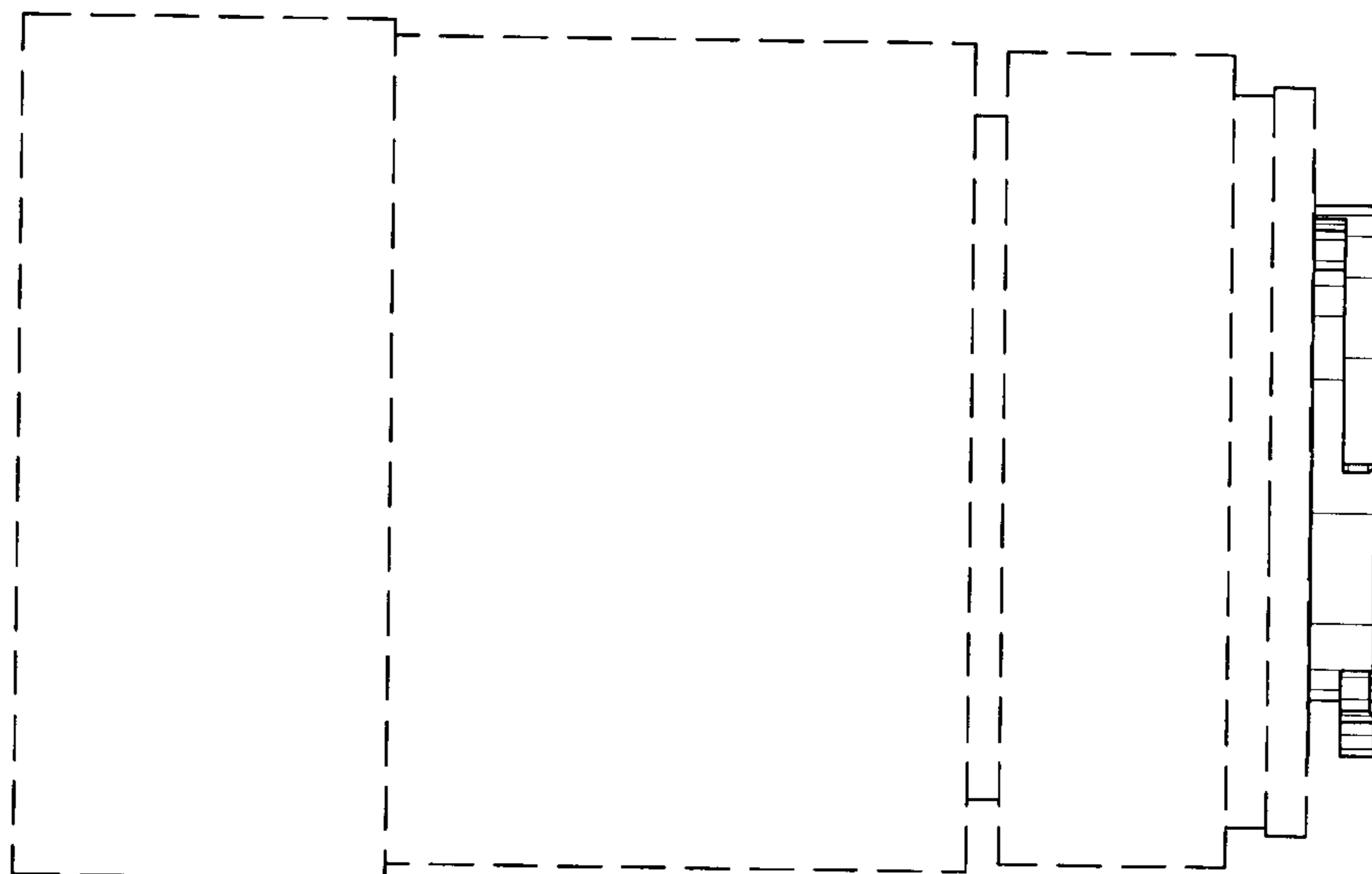


FIG.7

