



US00D537460S

(12) **United States Design Patent**
Nakamura et al.

(10) **Patent No.:** **US D537,460 S**

(45) **Date of Patent:** **** Feb. 27, 2007**

(54) **DIGITAL STILL CAMERA**

(75) Inventors: **Makoto Nakamura**, Kyoto (JP);
Eishun Kikuchi, Hirakata (JP)

(73) Assignee: **Matsushita Electric Industrial Co., Ltd.**, Osaka (JP)

(**) Term: **14 Years**

(21) Appl. No.: **29/233,406**

(22) Filed: **Jun. 30, 2005**

(30) **Foreign Application Priority Data**

Mar. 9, 2005 (JP) 2005-006958

(51) **LOC (8) Cl.** **16-01**

(52) **U.S. Cl.** **D16/202; D16/218**

(58) **Field of Classification Search** D16/200-206,
D16/208, 218; 348/373-376; 358/906, 909.1;
396/535-541

See application file for complete search history.

(56) **References Cited**

U.S. PATENT DOCUMENTS

- D392,659 S 3/1998 Takano
- D407,098 S 3/1999 Goto et al.
- D445,440 S 7/2001 Chen
- D449,628 S 10/2001 Obata et al.
- D457,903 S 5/2002 Misawa
- 6,434,337 B1 8/2002 Misawa
- D470,162 S 2/2003 Nakamura et al.
- D473,577 S 4/2003 Nakamura
- D473,886 S 4/2003 Katayama
- D479,547 S 9/2003 Watanabe et al.
- D484,157 S 12/2003 Watanabe et al.
- D495,352 S * 8/2004 Sakaguchi et al. D16/202

- D507,586 S * 7/2005 Nakamura D16/202
- D524,341 S * 7/2006 Nagayama et al. D16/202
- D525,274 S * 7/2006 Nagayama et al. D16/202
- D525,638 S * 7/2006 Nakamura D16/202
- D525,639 S * 7/2006 Nakamura D16/202

FOREIGN PATENT DOCUMENTS

- JP 1068305 4/2000
- JP 1113587 7/2001
- JP 1164052 1/2003
- JP 1188405 10/2003
- JP 1209912 6/2004

OTHER PUBLICATIONS

Panasonic Model "LUMIX DMC-LZ1" and "LUMIX DMC LZ2" Catalog issued by Matsushita Electrical Industrial Co.

* cited by examiner

Primary Examiner—Adir Aronovich

(74) *Attorney, Agent, or Firm*—Brinks Hofer Gilson & Lione

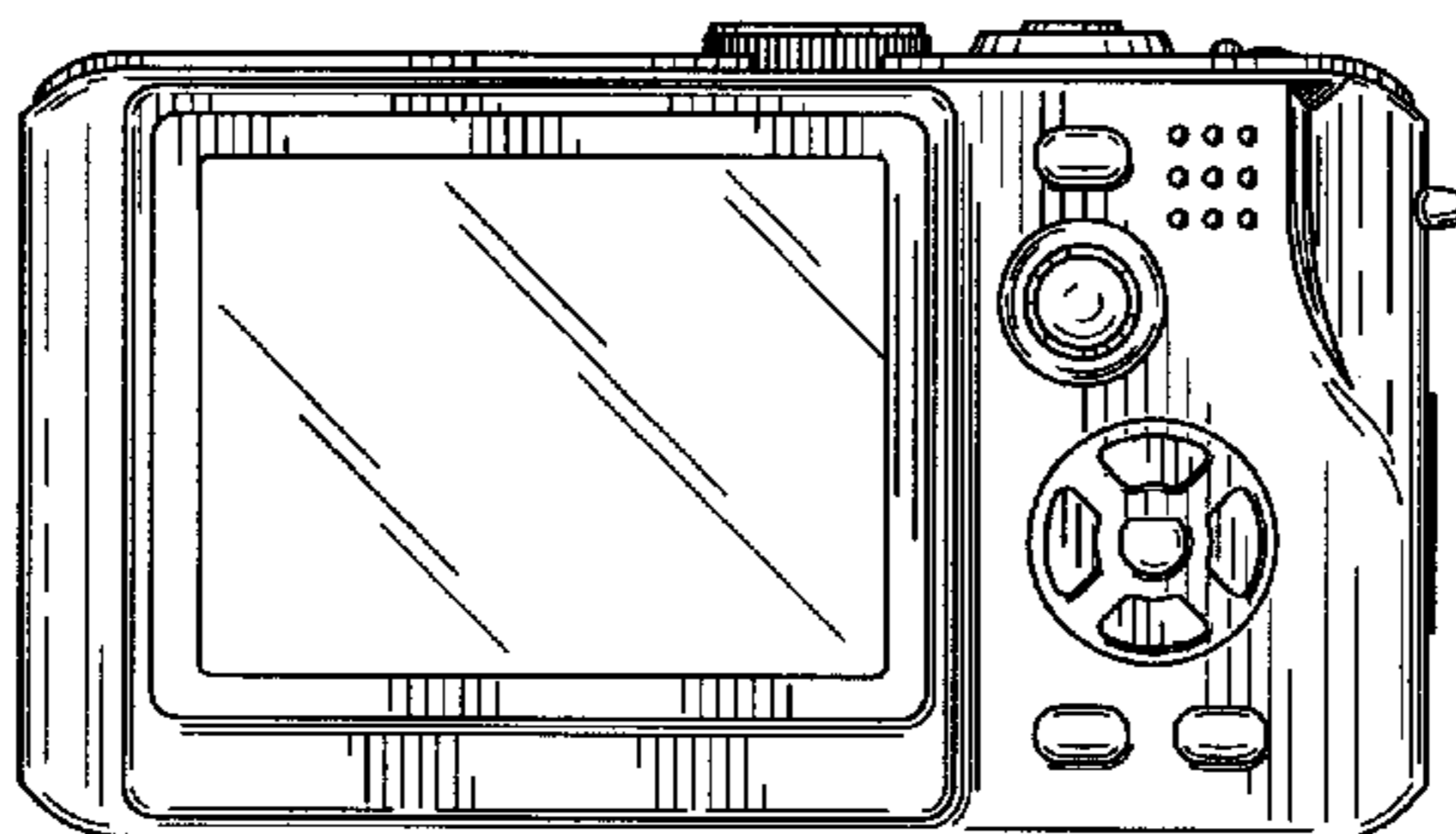
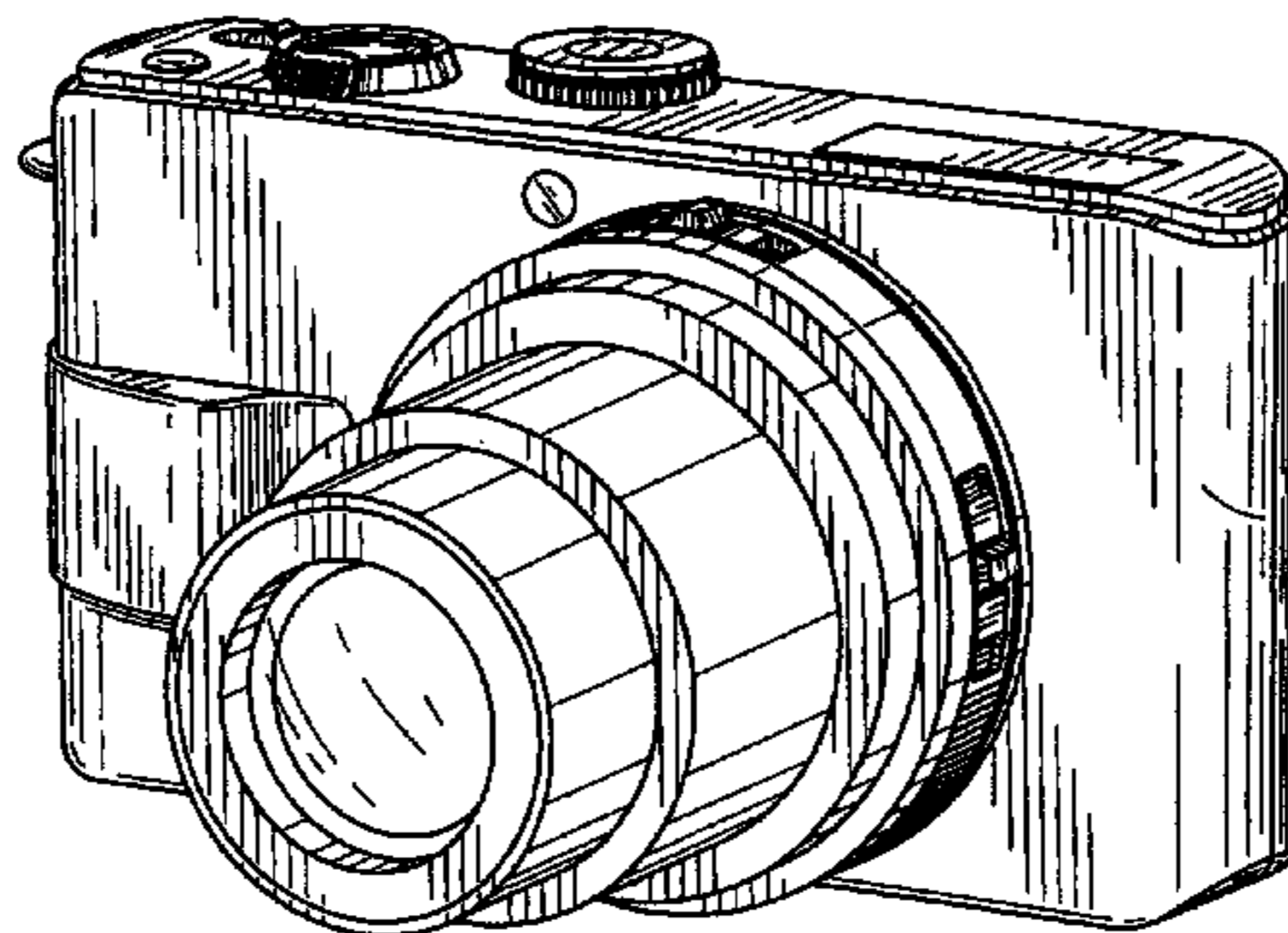
(57) **CLAIM**

We claim the ornamental design for a digital still camera, as shown and described.

DESCRIPTION

FIG. 1 is a top perspective view of a digital still camera of the present invention;
FIG. 2 is a front view thereof;
FIG. 3 is a rear view thereof;
FIG. 4 is a first side view thereof;
FIG. 5 is a second side view thereof;
FIG. 6 is a bottom view thereof; and,
FIG. 7 is a top view thereof.

1 Claim, 7 Drawing Sheets



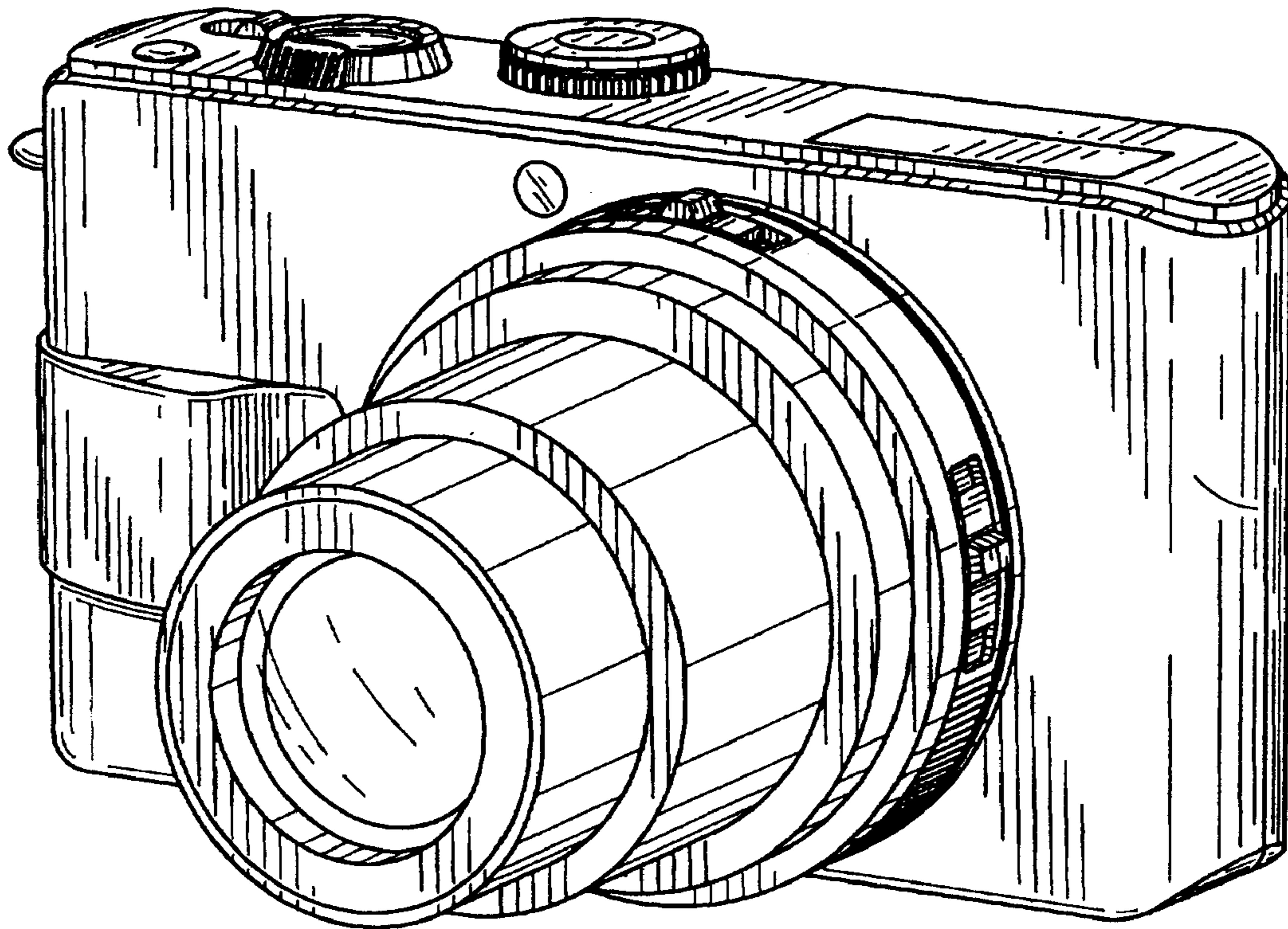


FIG. 1

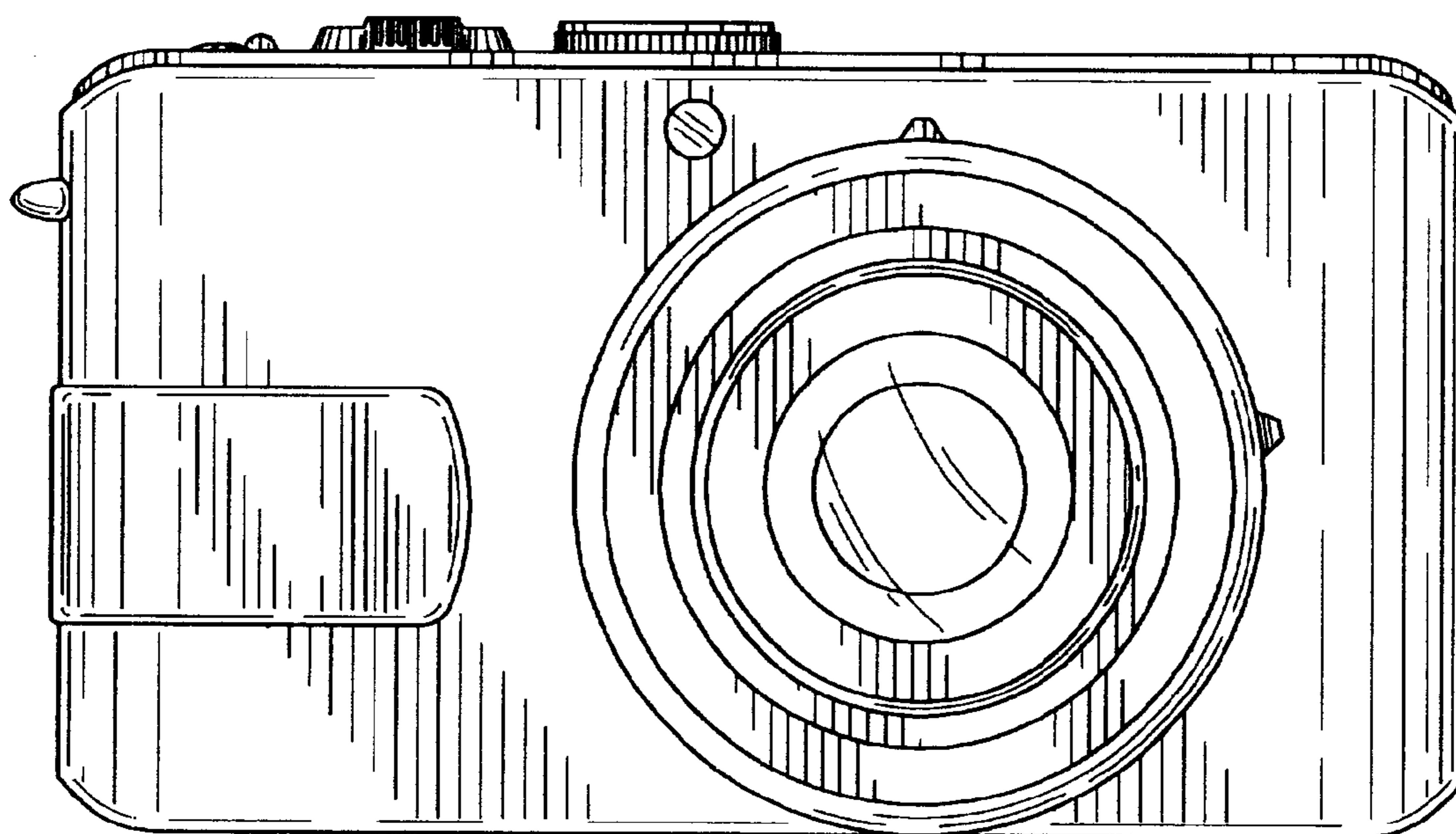


FIG. 2

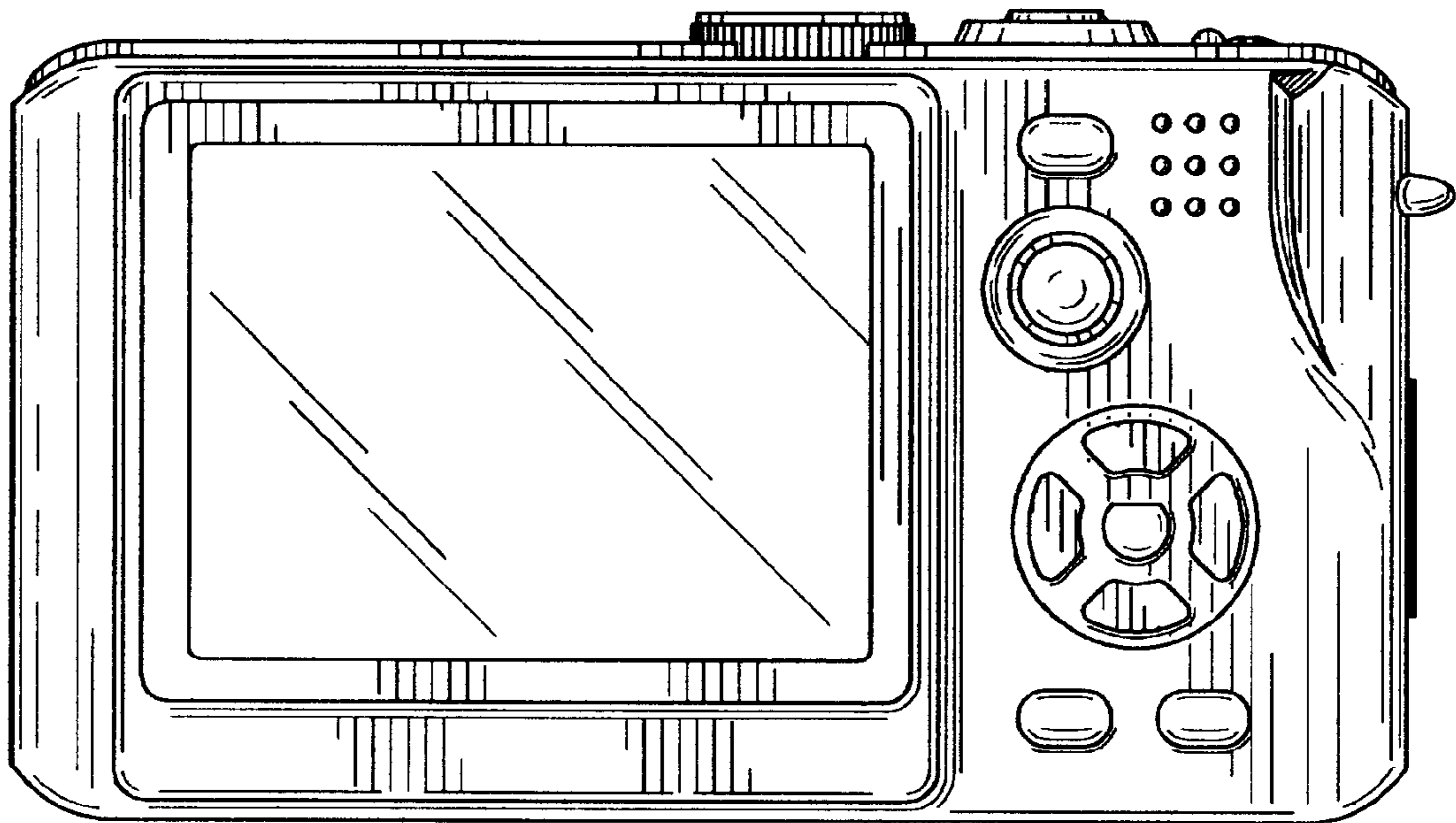


FIG. 3

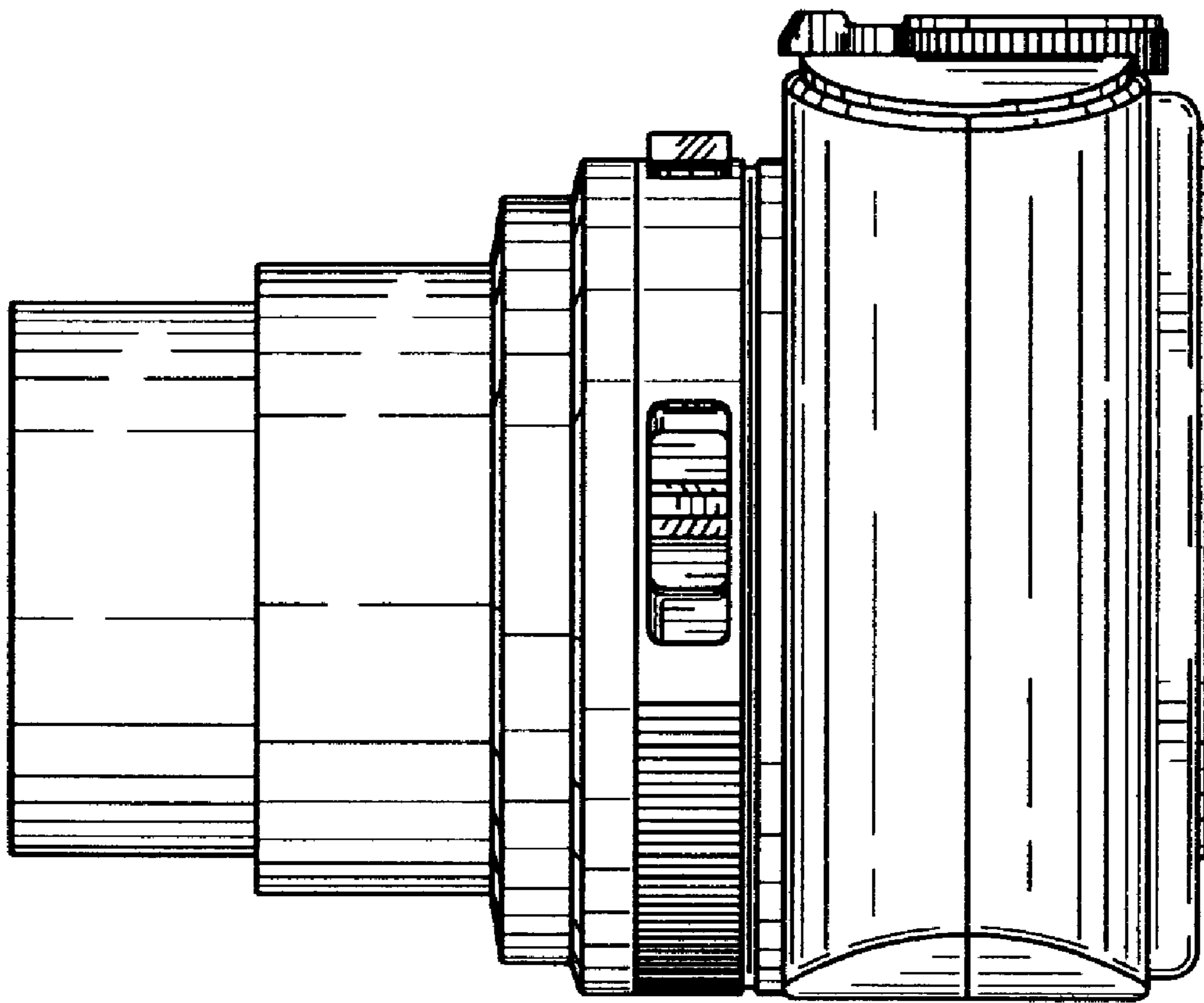


FIG. 4

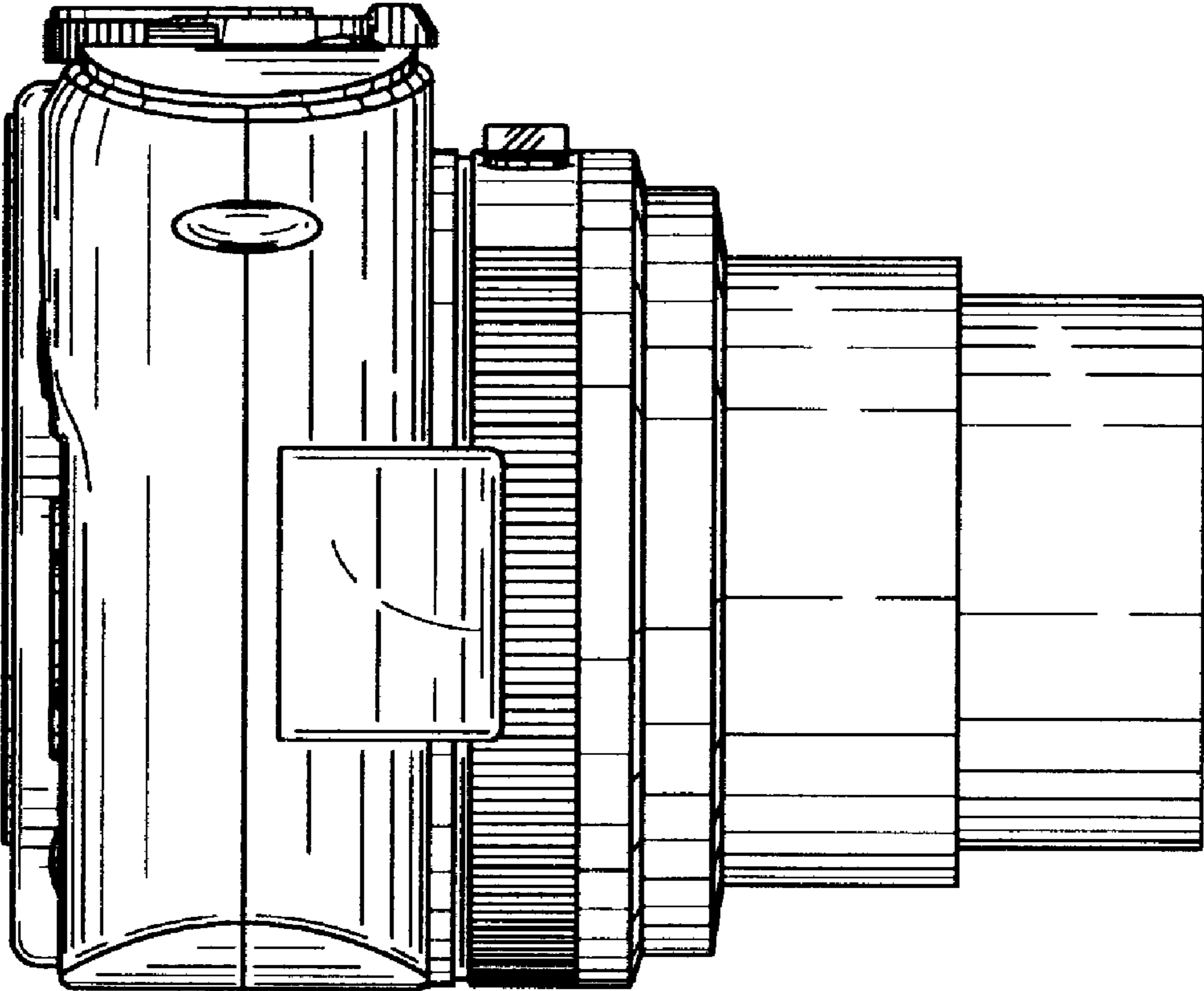


FIG. 5

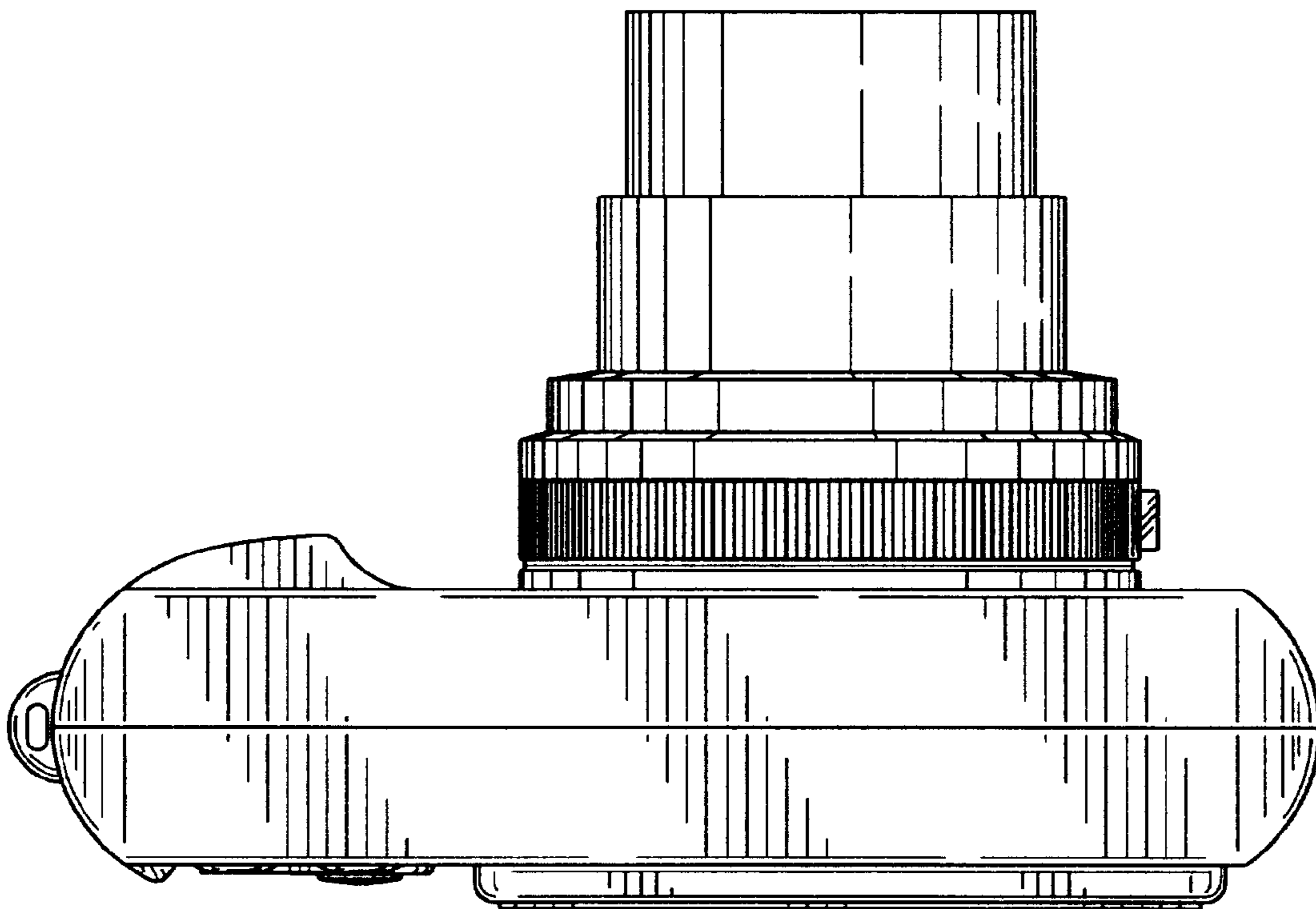


FIG. 6

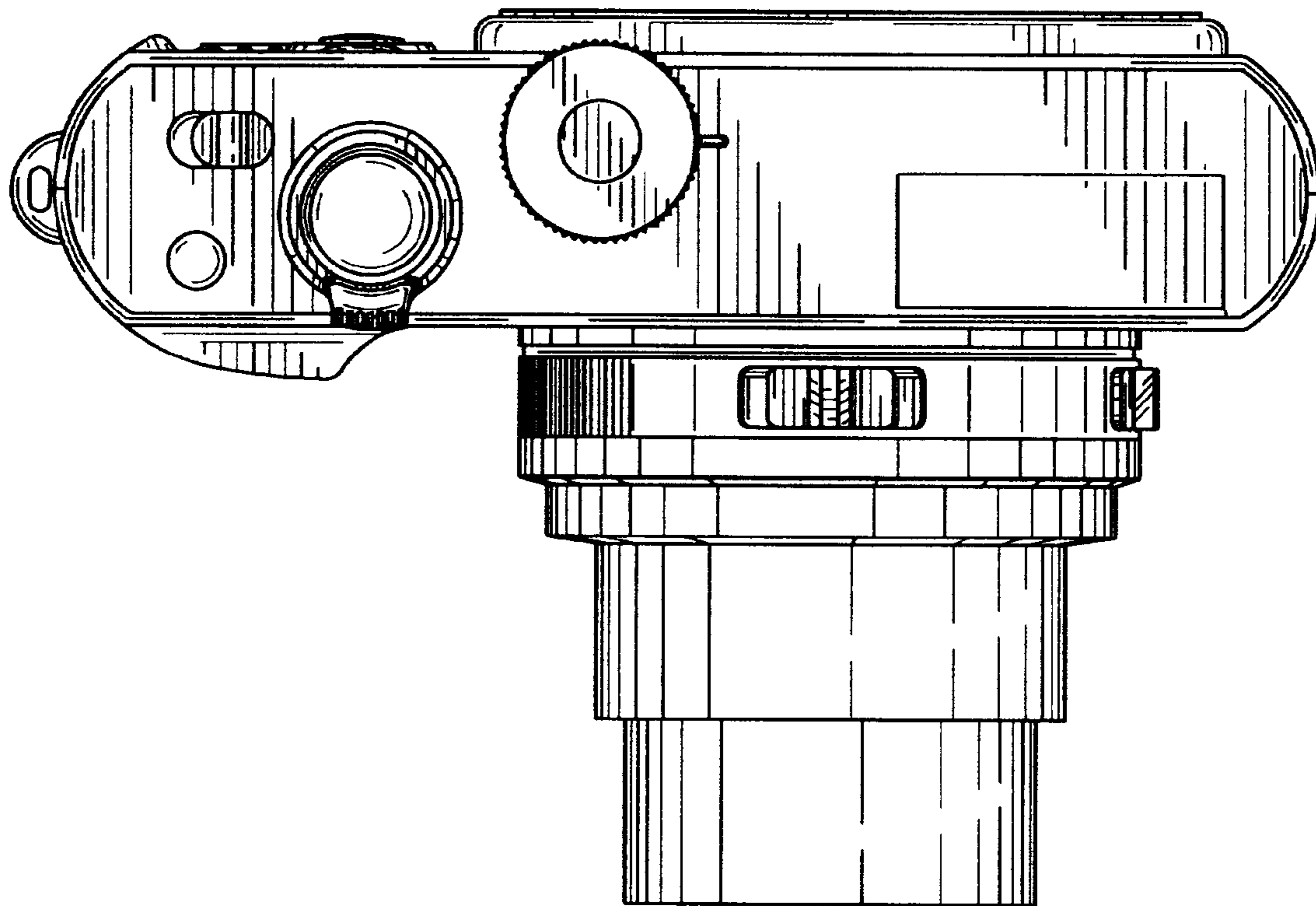


FIG. 7