

US00D537458S

(12) **United States Design Patent**  
**Breaser**

(10) **Patent No.:** **US D537,458 S**

(45) **Date of Patent:** **\*\* Feb. 27, 2007**

(54) **LUBRICANT DISPENSER**

(75) Inventor: **David L. Breaser**, Ramsey, MN (US)

(73) Assignee: **Graco Minnesota Inc.**, Minneapolis, MN (US)

(\*\*) Term: **14 Years**

(21) Appl. No.: **29/222,238**

(22) Filed: **Jan. 27, 2005**

(51) **LOC (8) Cl.** ..... **15-02**

(52) **U.S. Cl.** ..... **D15/150**

(58) **Field of Classification Search** ..... D15/150-152;  
141/86, 98, 231; 184/6.28, 6.4, 27.1, 27.3,  
184/31, 58, 65, 81, 106, 108; 222/608-628,  
222/389; 280/47.23, 47.26

See application file for complete search history.

(56) **References Cited**

**U.S. PATENT DOCUMENTS**

4,286,691 A \* 9/1981 Stong ..... 184/6.28

D429,264 S \* 8/2000 Lindstrand ..... D15/150  
D470,871 S \* 2/2003 Burger et al. .... D15/150  
D498,487 S \* 11/2004 Iwamasa et al. .... D15/152  
2002/0079336 A1 \* 6/2002 Weigand et al. .... 222/389

\* cited by examiner

*Primary Examiner*—Antoine D. Davis

*Assistant Examiner*—Patricia Palasik

(74) *Attorney, Agent, or Firm*—Douglas B. Farrow

(57) **CLAIM**

The ornamental design for a lubricant dispenser, as shown and described.

**DESCRIPTION**

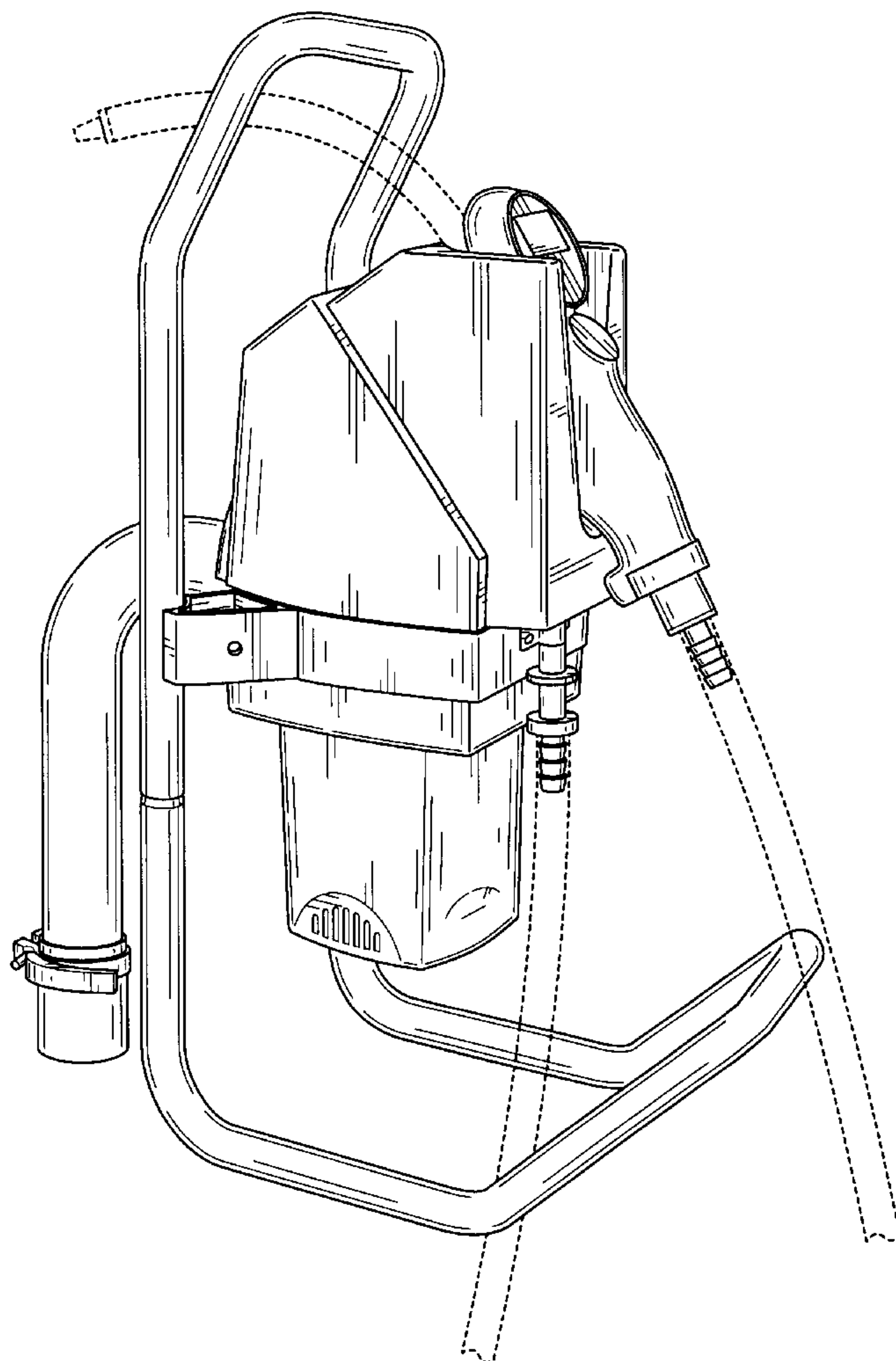
FIG. 1 is a front elevation view of the lubricant dispenser; FIG. 2 is a rear elevation view thereof; FIG. 3 is a right side elevation view thereof and is a mirror image of the left side.

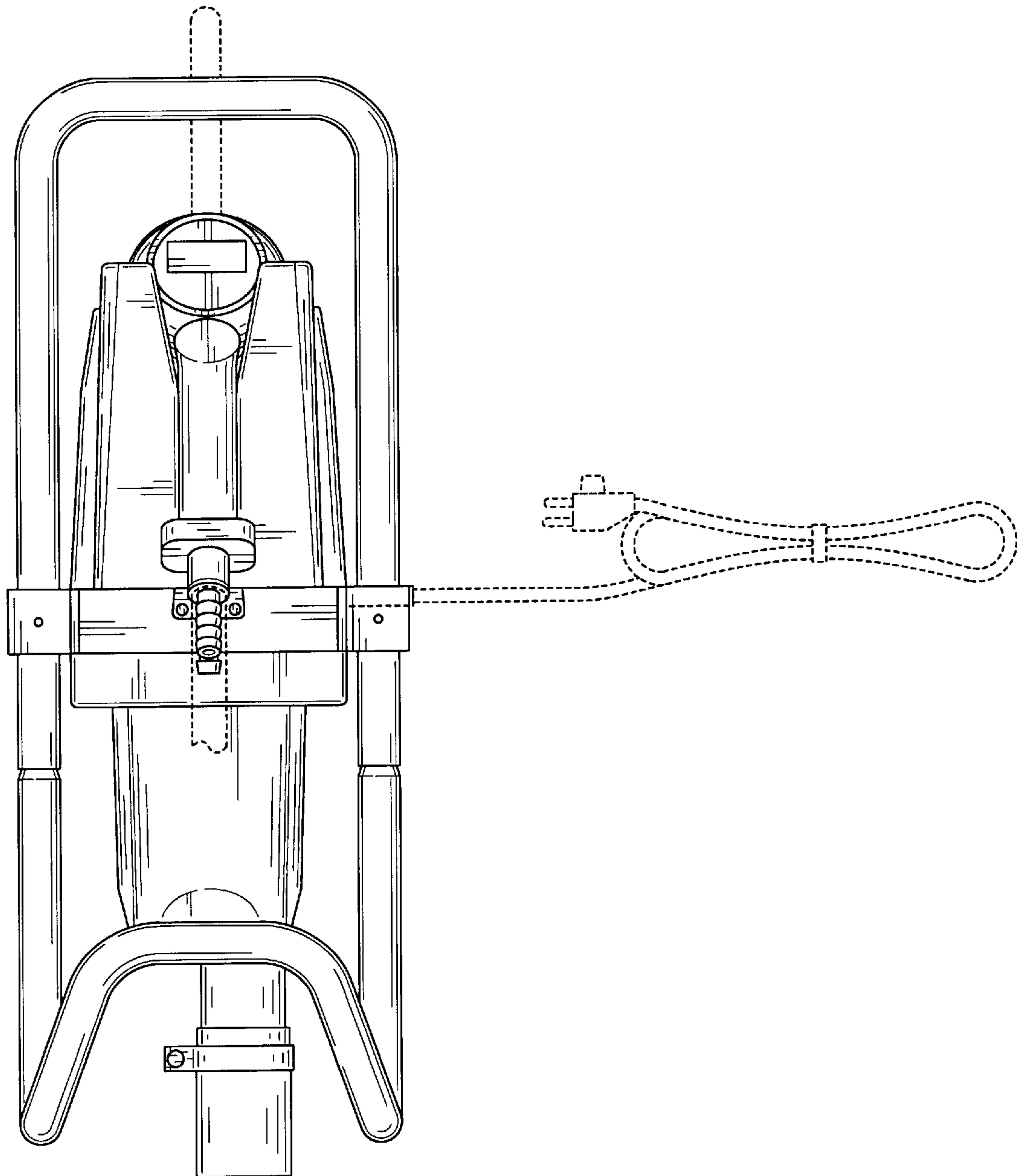
FIG. 4 is a top plan view thereof;

FIG. 5 is a bottom plan view thereof; and,

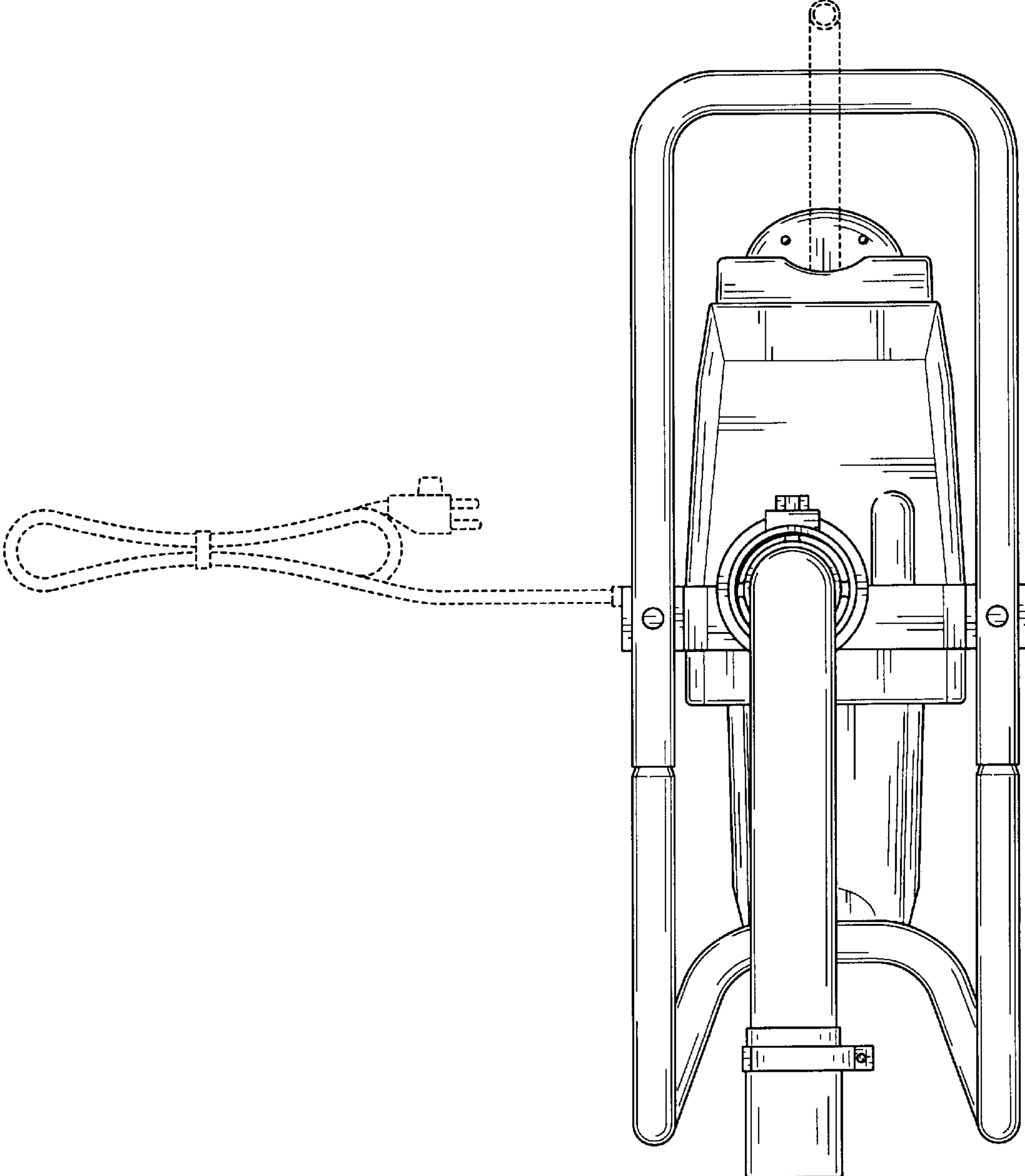
FIG. 6 is a front perspective view thereof.

**1 Claim, 6 Drawing Sheets**

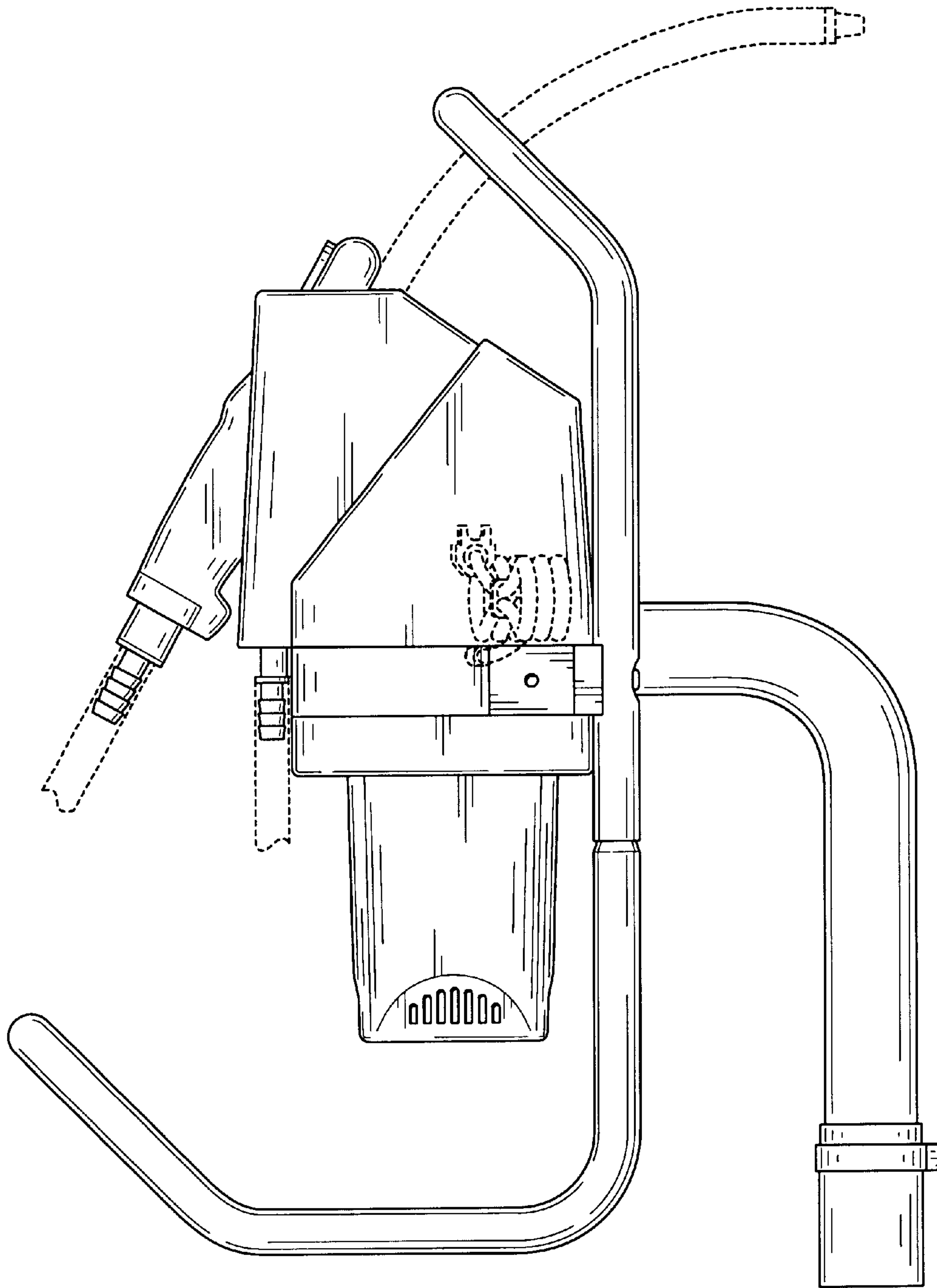




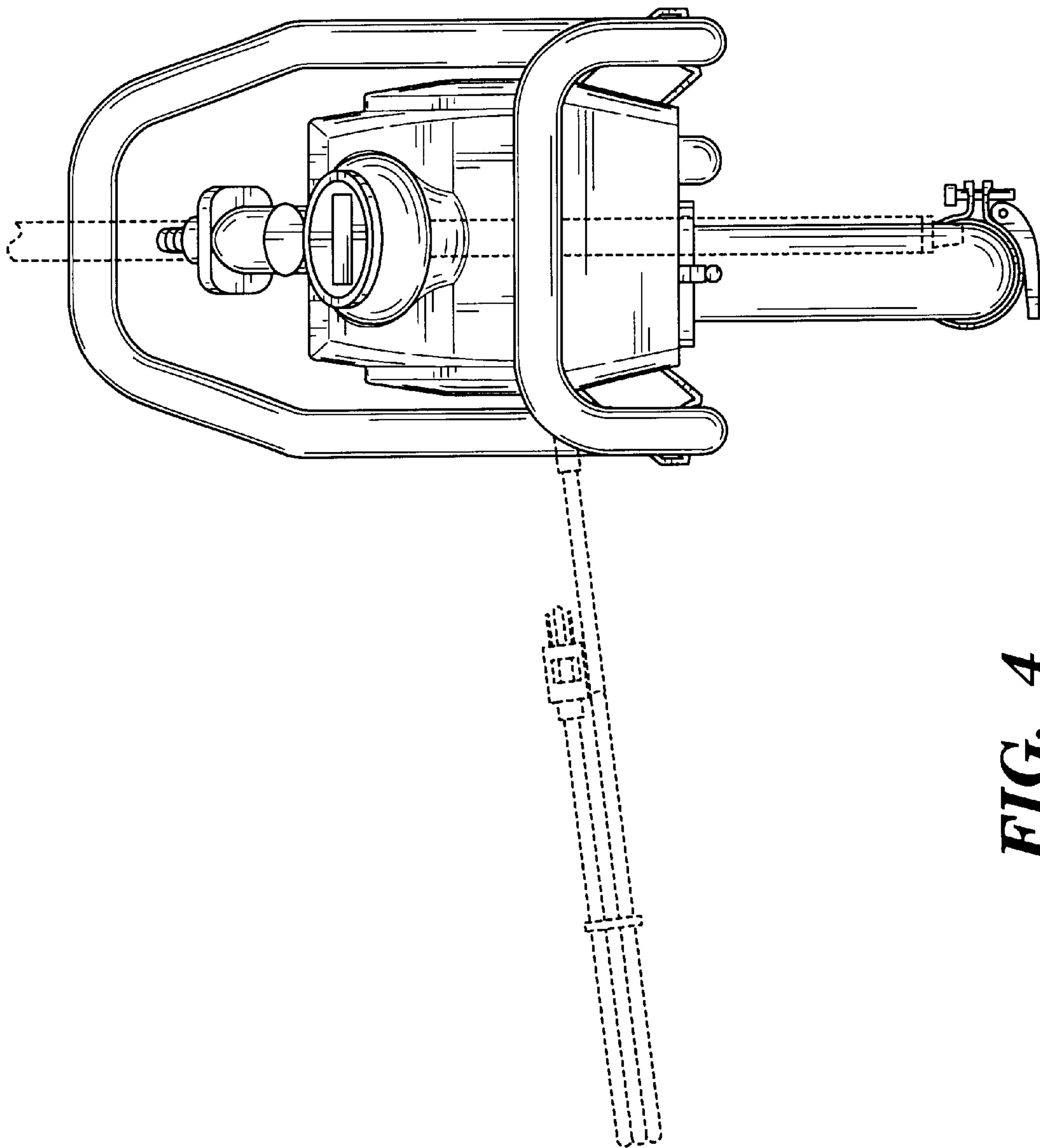
**FIG. 1**



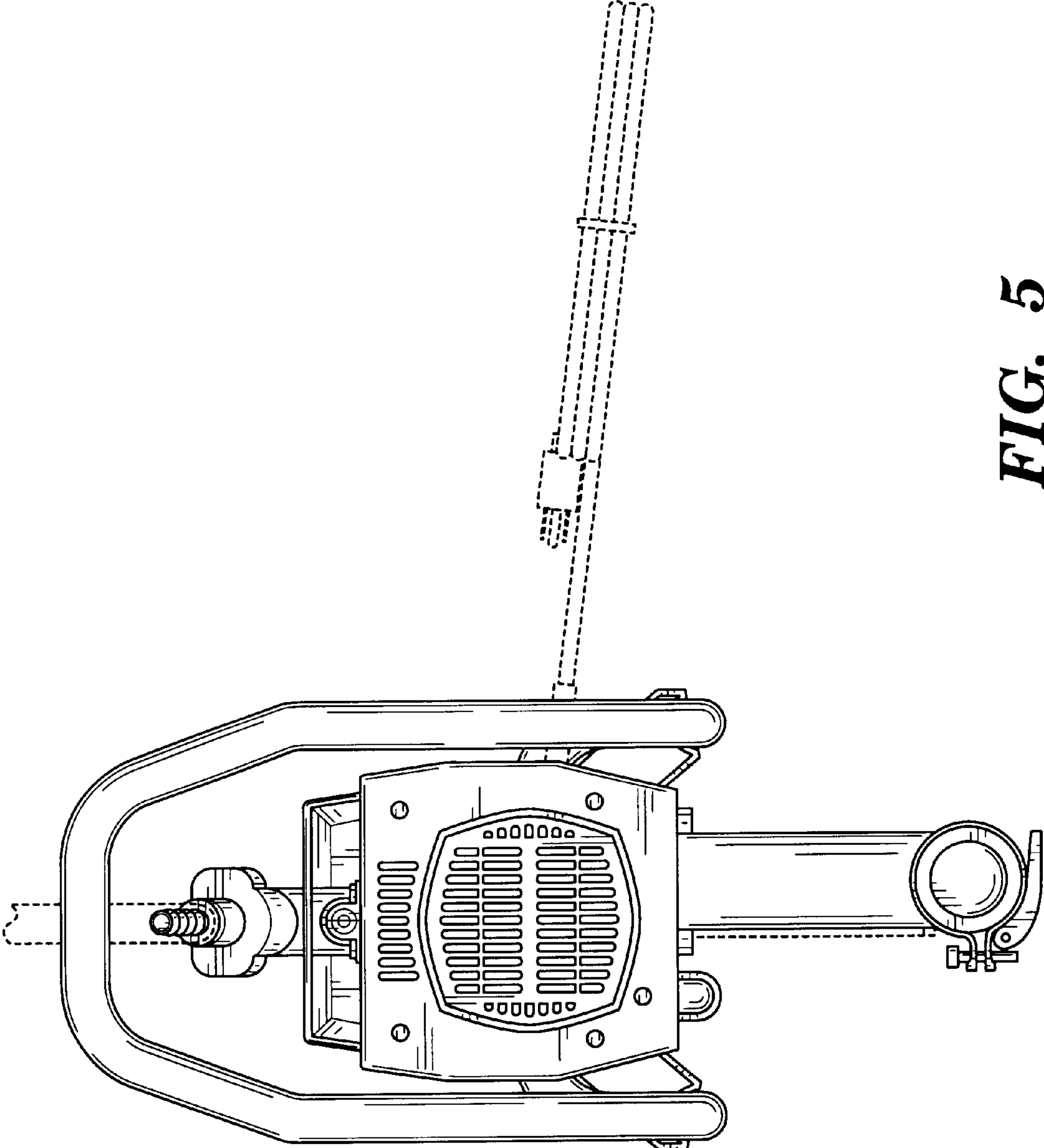
**FIG. 2**



**FIG. 3**

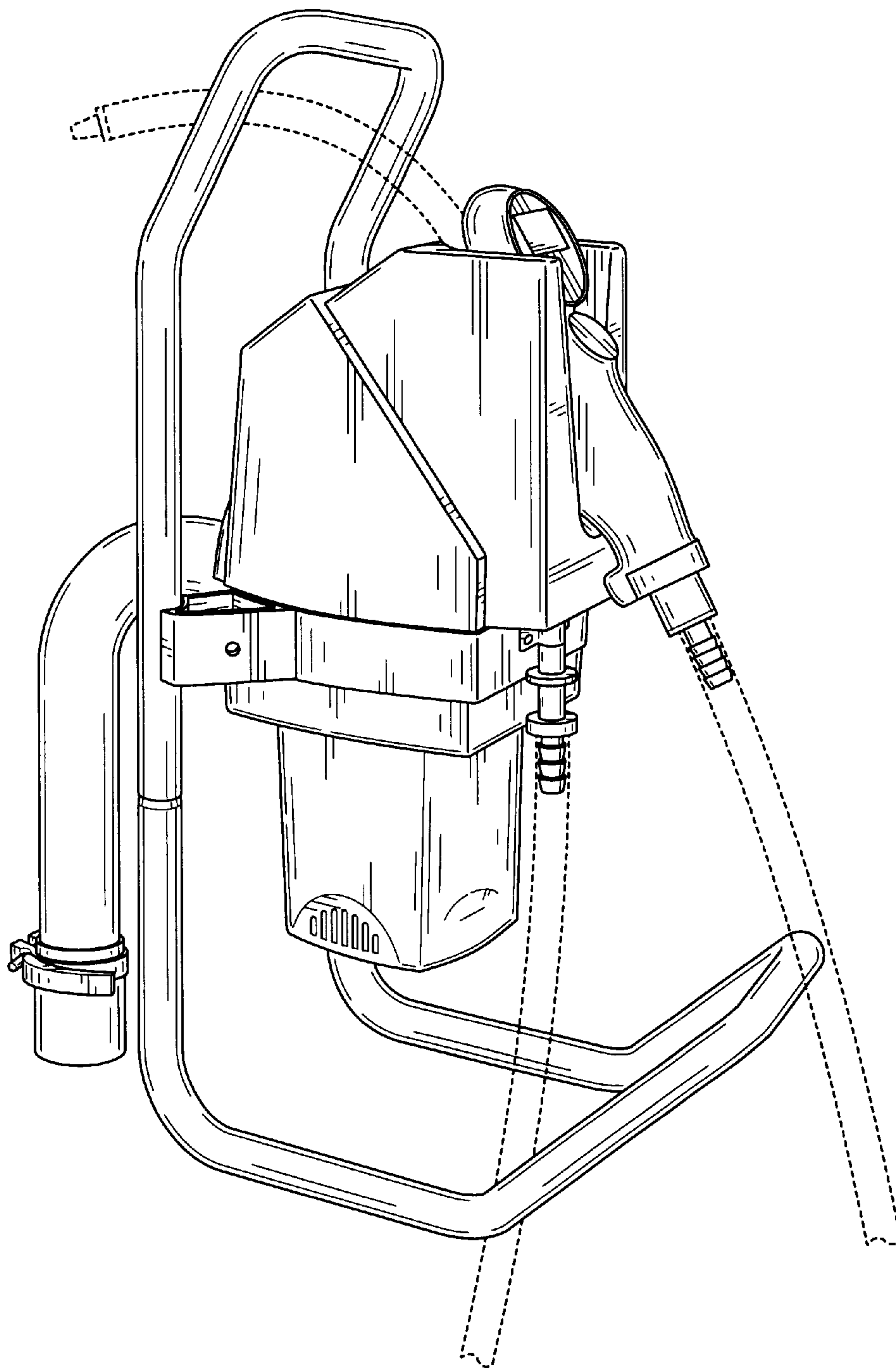


**FIG. 4**



**FIG. 5**





**FIG. 6**