



US00D537456S

(12) **United States Design Patent** (10) **Patent No.:** **US D537,456 S**
Davis (45) **Date of Patent:** **** Feb. 27, 2007**

(54) **MINI-REFRIGERATOR FOR SPORTS FAN**

D454,892 S 3/2002 Black et al.
D468,325 S * 1/2003 Lorek et al. D15/81
D481,741 S 11/2003 Yuen
6,827,410 B2 * 12/2004 Antos et al. 312/405
2006/0137073 A1 * 6/2006 Crisco 2/142

(76) Inventor: **Jarrold R. Davis**, 719 Burgess Ave.,
Hampton, VA (US) 23664

(**) Term: **14 Years**

* cited by examiner

(21) Appl. No.: **29/235,742**

Primary Examiner—Mitchell Siegel

(22) Filed: **Aug. 8, 2005**

Assistant Examiner—Shanda C. Hill

(51) **LOC (8) Cl.** **15-07**

(74) *Attorney, Agent, or Firm*—Donald R. Schoonover

(52) **U.S. Cl.** **D15/81**

(58) **Field of Classification Search** D15/79–88;
D6/471, 472; 62/125, 126; 312/3.6, 116,
312/138.1, 236, 401, 402, 404, 405, 405.1,
312/406; D99/30, 37; D2/870; D21/659;
D7/603–606

(57) **CLAIM**

I claim the ornamental design for a mini-refrigerator for sports fan, as shown and described.

See application file for complete search history.

DESCRIPTION

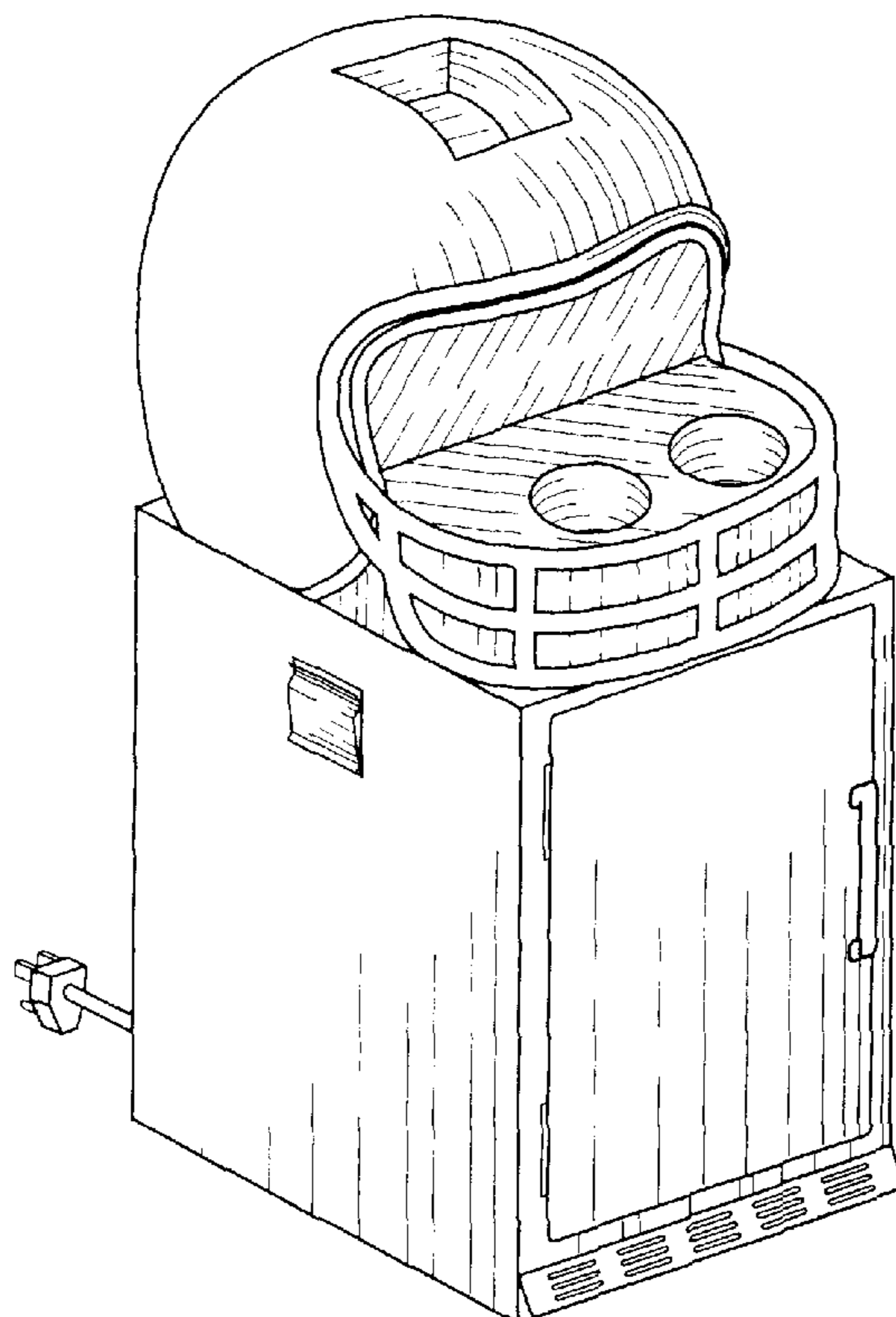
(56) **References Cited**

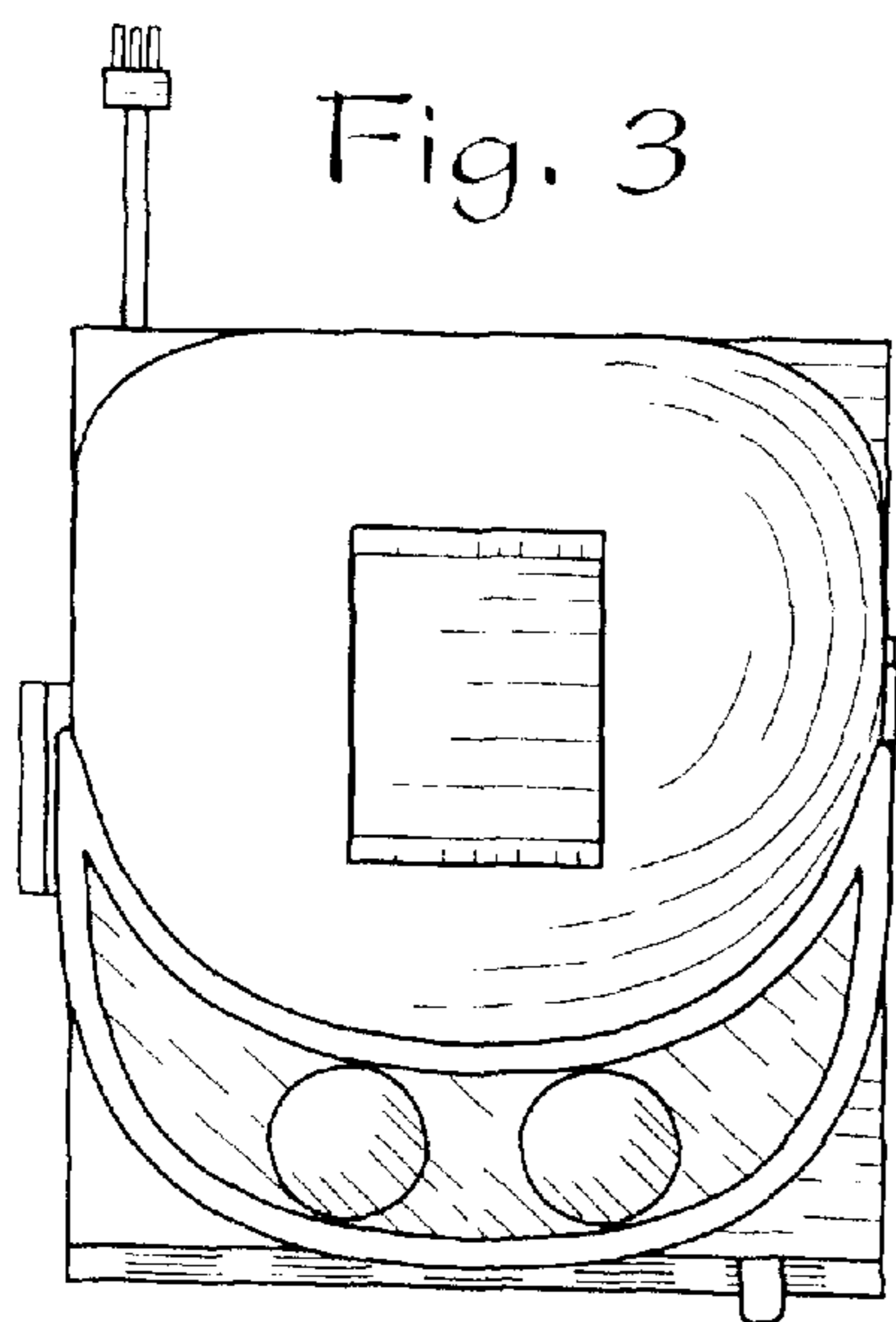
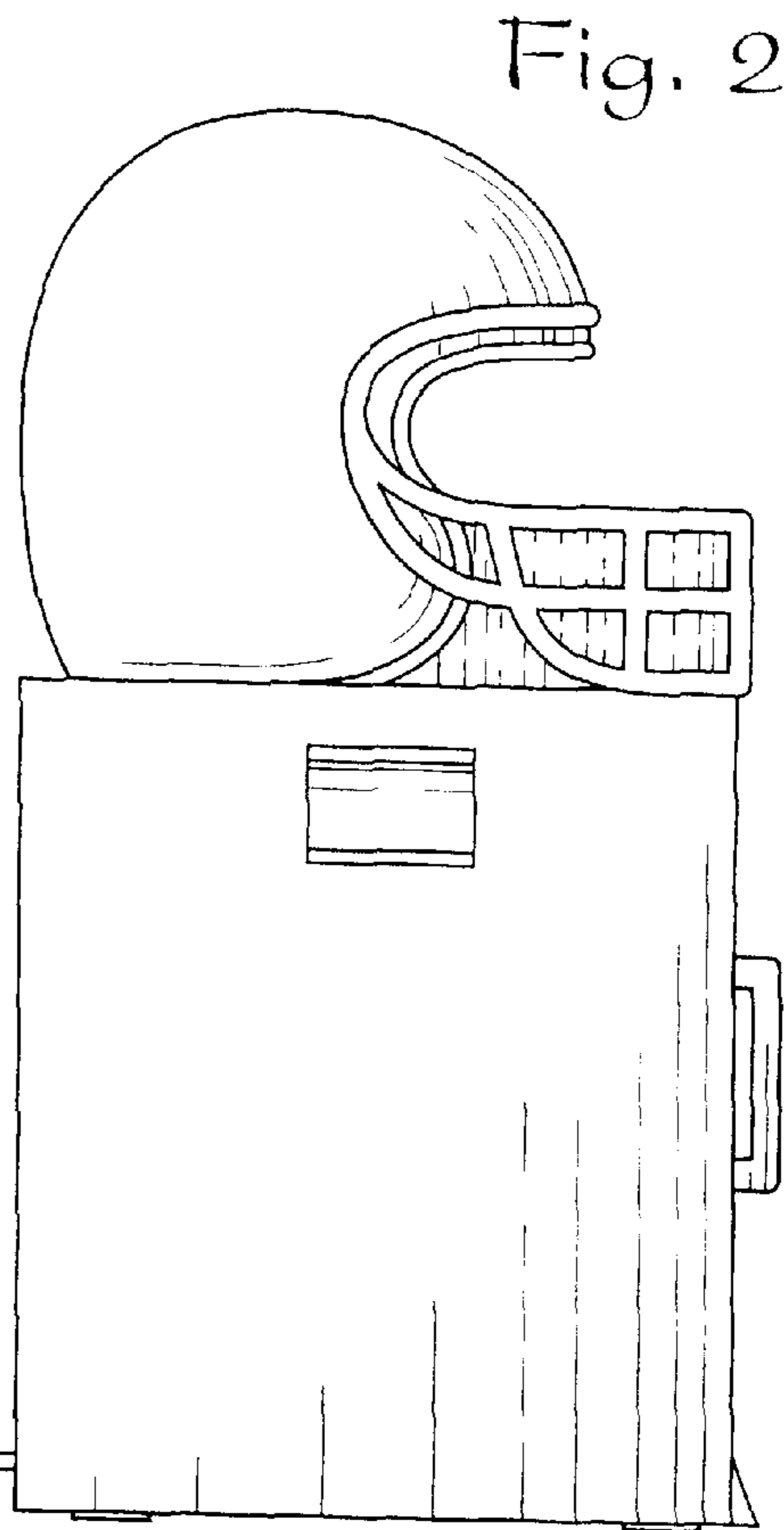
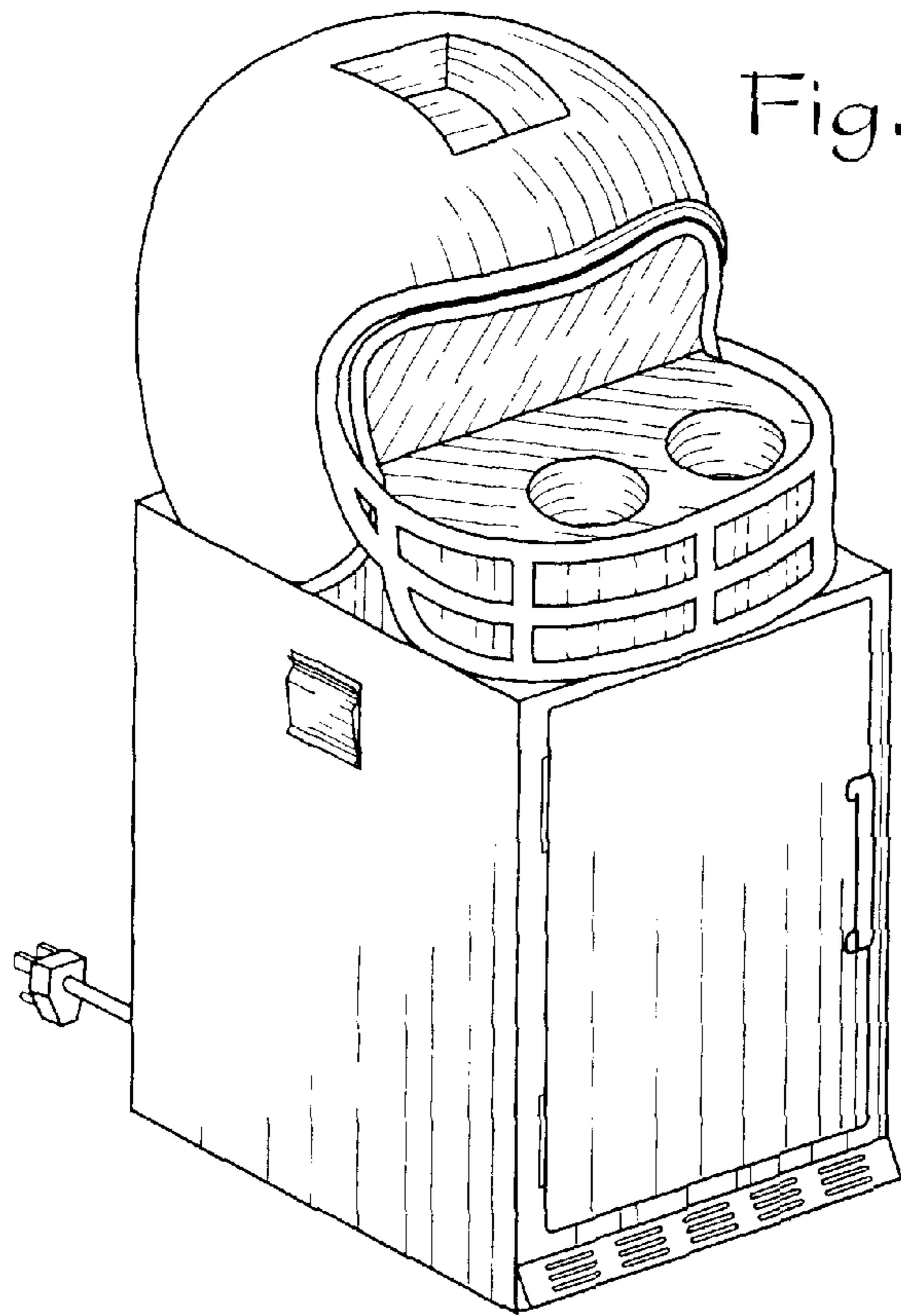
U.S. PATENT DOCUMENTS

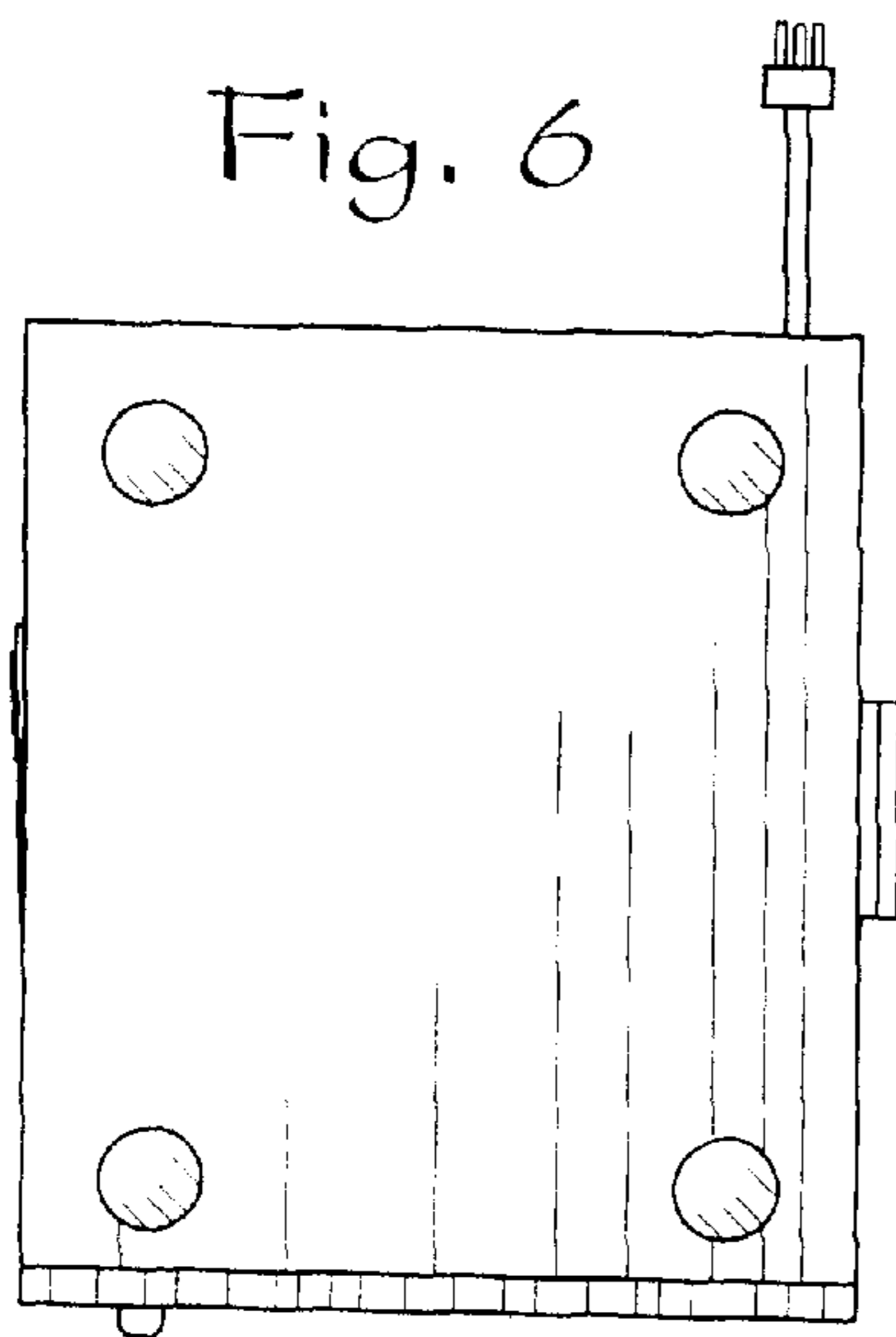
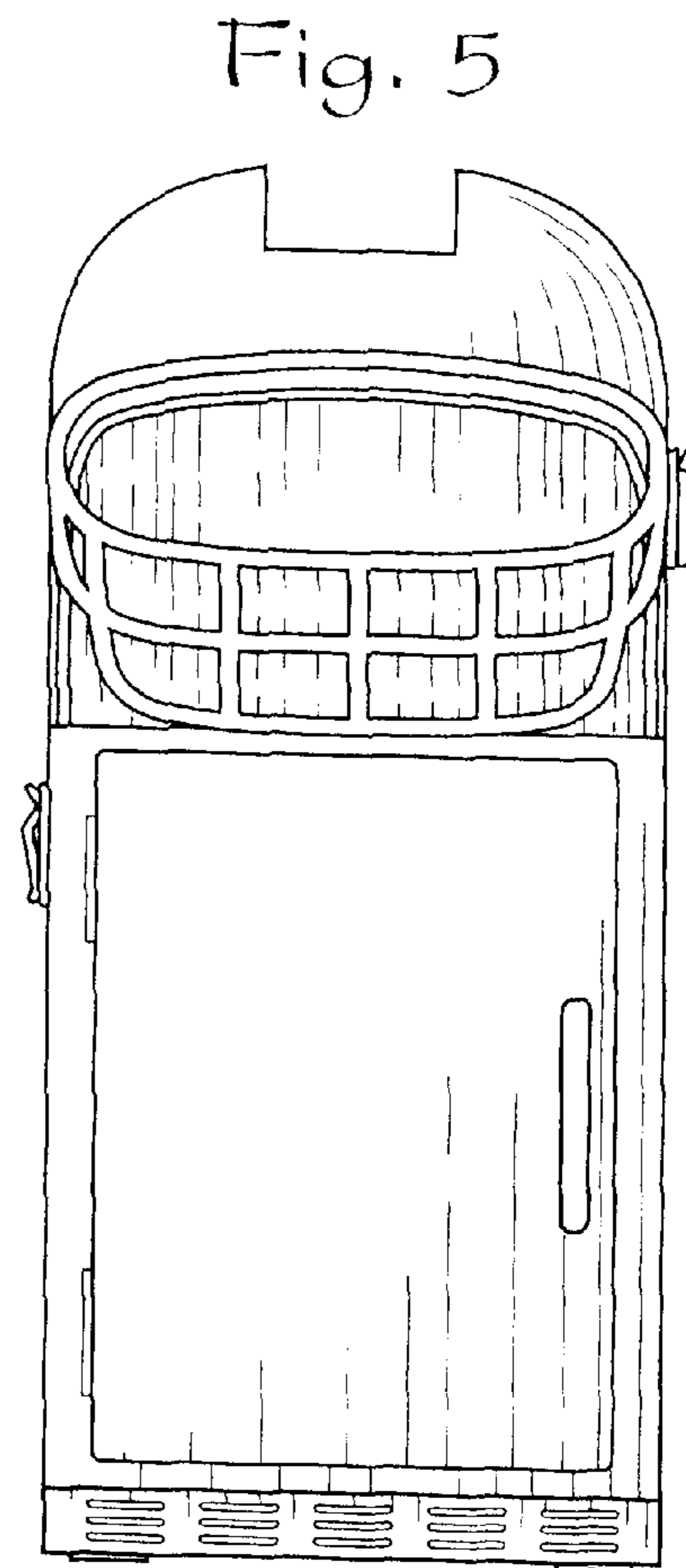
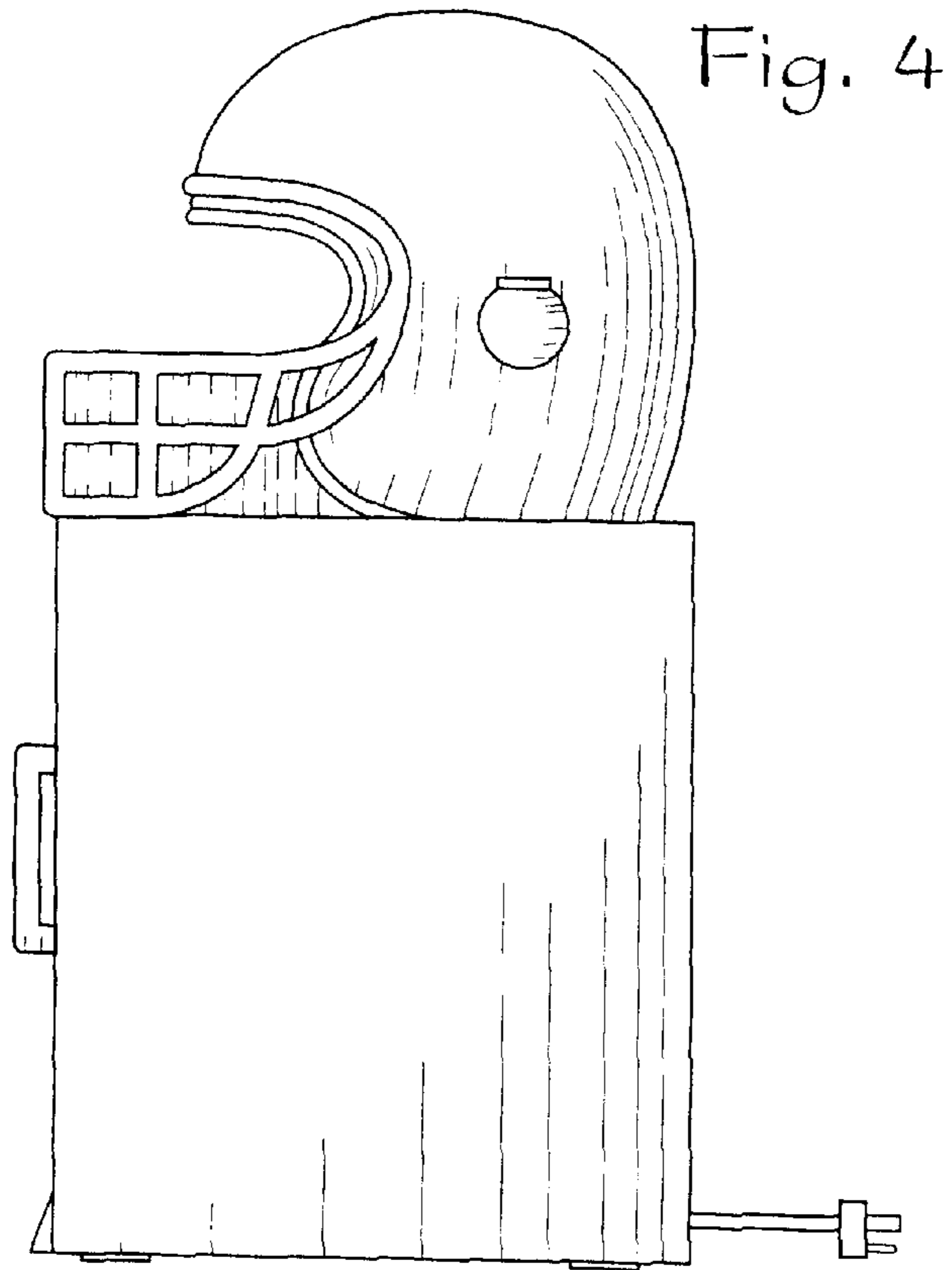
2,522,623	A	9/1950	Likes et al.	
D253,536	S	* 11/1979	Shibata et al.	D15/88
D256,587	S	8/1980	Tatsumi	
D266,000	S	* 8/1982	Kawakami	D15/88
D267,324	S	12/1982	Norimatsu et al.	
D285,692	S	9/1986	Albiez	
4,655,052	A	4/1987	Garcia	
5,249,706	A	* 10/1993	Szabo	D15/81
D379,023	S	* 4/1997	August	D99/37
D422,286	S	* 4/2000	Choi et al.	D15/81

FIG. 1 is a perspective view of a mini-refrigerator for sports fan showing my new design;
FIG. 2 is a right side elevational view thereof;
FIG. 3 is a top plan view thereof;
FIG. 4 is a left side elevational view thereof;
FIG. 5 is a front elevational view thereof;
FIG. 6 is a bottom plan view thereof.
FIG. 7 is a rear elevational view thereof; and,
FIG. 8 is a perspective view showing the mini-refrigerator for sports fan in use with a door thereof partially opened; the broken lines depict environmental structure for illustrative purposes only and form no part of the claimed design.

1 Claim, 3 Drawing Sheets







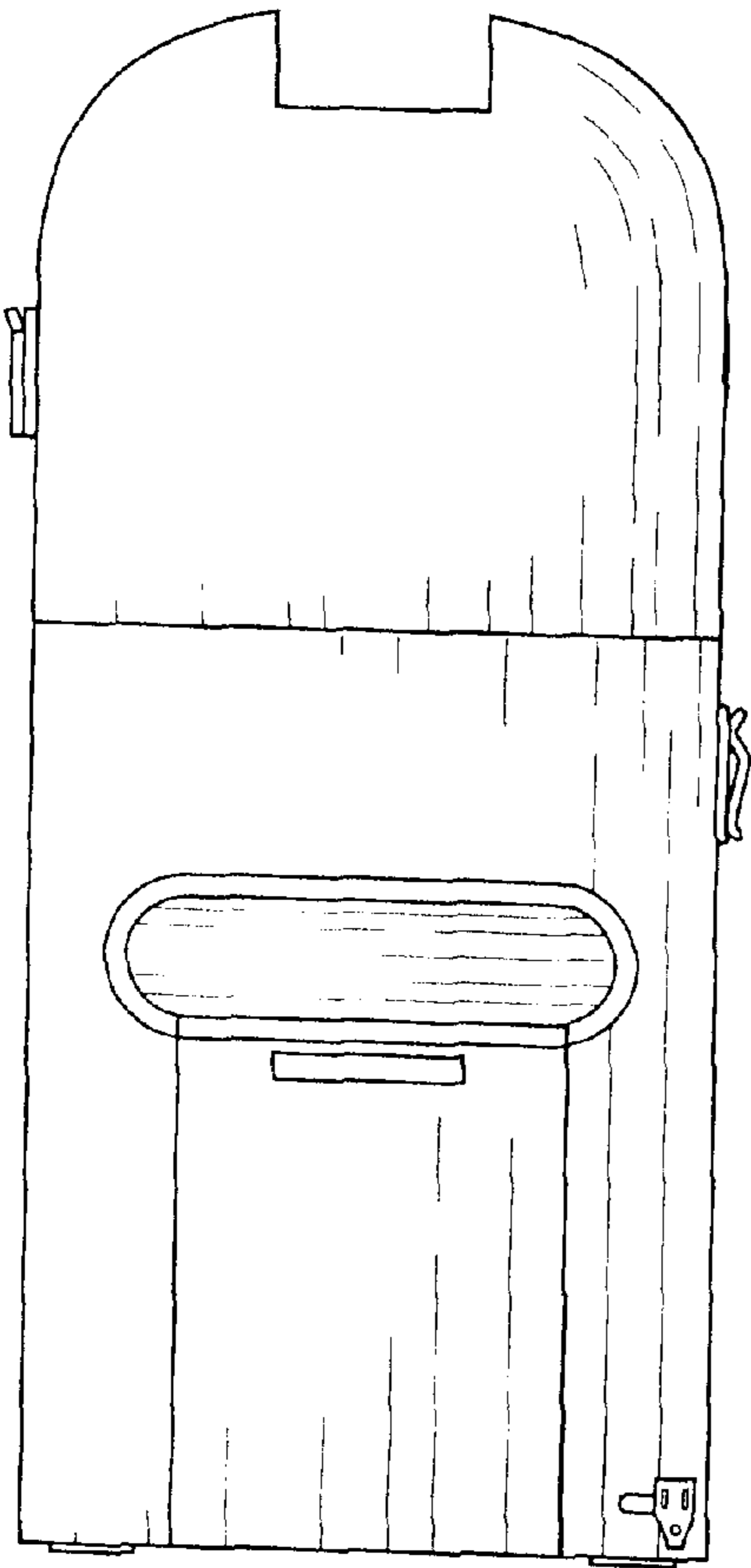


Fig. 7

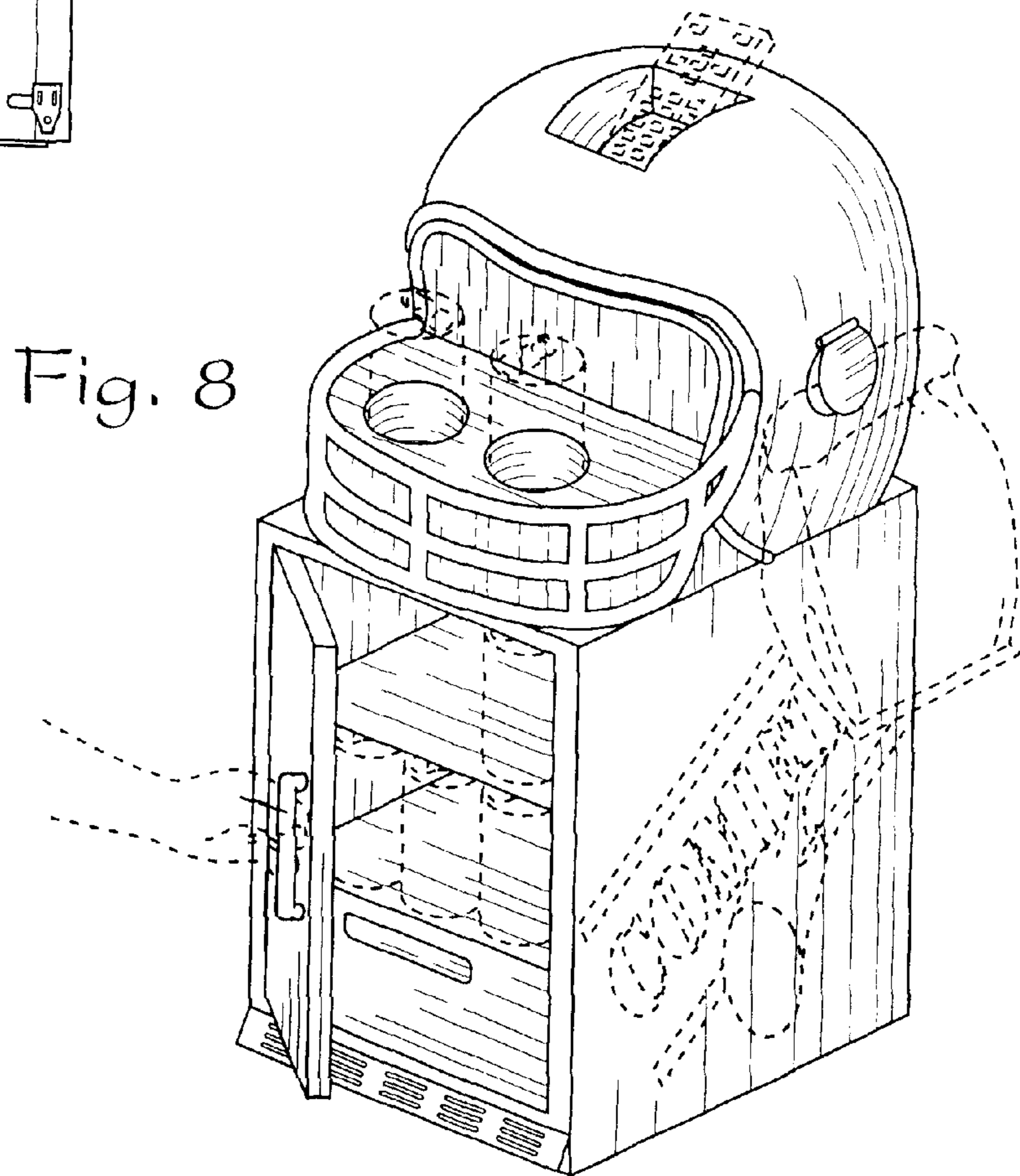


Fig. 8