

US00D537451S

(12) **United States Design Patent**
McGill et al.

(10) **Patent No.:** **US D537,451 S**
(45) **Date of Patent:** **** Feb. 27, 2007**

(54) **REFRIGERATION COMPRESSOR**

FOREIGN PATENT DOCUMENTS

(75) Inventors: **Ian Campbell McGill**, Auckland (NZ);
John Julian Aubrey Williams,
Auckland (NZ)

WO WO2004/106737 12/2004

(73) Assignee: **Fisher & Paykel Appliances Limited**,
Auckland (NZ)

Primary Examiner—Ralf Seifert
(74) *Attorney, Agent, or Firm*—Trexler, Bushnell,
Giangiorgi, Blackstone & Marr, Ltd.

(**) **Term:** **14 Years**

(57) **CLAIM**

The ornamental design for a refrigeration compressor, as shown and described.

(21) Appl. No.: **29/252,237**

DESCRIPTION

(22) Filed: **Jan. 20, 2006**

(30) **Foreign Application Priority Data**

Jul. 21, 2005 (NZ) 406421

FIG. 1 is a left side elevational view of the refrigeration compressor;
FIG. 2 is a top plan view of the refrigeration compressor;
FIG. 3 is a right side elevational view of the refrigeration compressor;
FIG. 4 is a bottom plan view of the refrigeration compressor;
FIG. 5 is a front end elevational view of the refrigeration compressor;
FIG. 6 is a rear end elevational view of the refrigeration compressor;
FIG. 7 is a perspective view from behind and above of the refrigeration compressor; and,
FIG. 8 is a perspective view from in front and above of the refrigeration compressor.

(51) **LOC (8) Cl.** **15-02**

(52) **U.S. Cl.** **D15/9**

(58) **Field of Classification Search** D15/7-9;
D23/232, 231; 417/359, 415-416, 410.1,
417/321, 265, 405

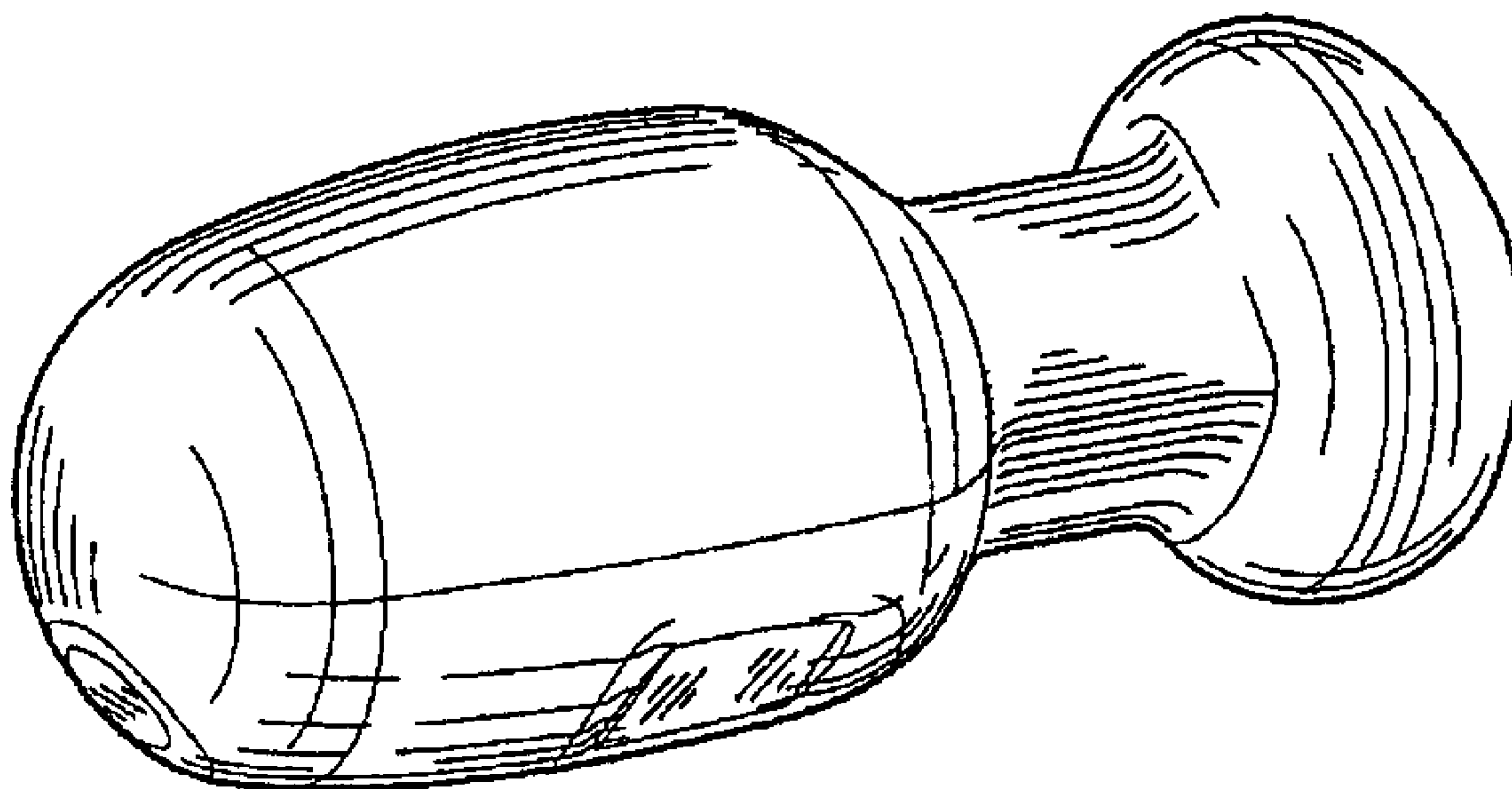
See application file for complete search history.

(56) **References Cited**

U.S. PATENT DOCUMENTS

D500,327 S 12/2004 Boyd, Jr. et al.
D510,940 S 10/2005 Boyd, Jr. et al.

1 Claim, 2 Drawing Sheets



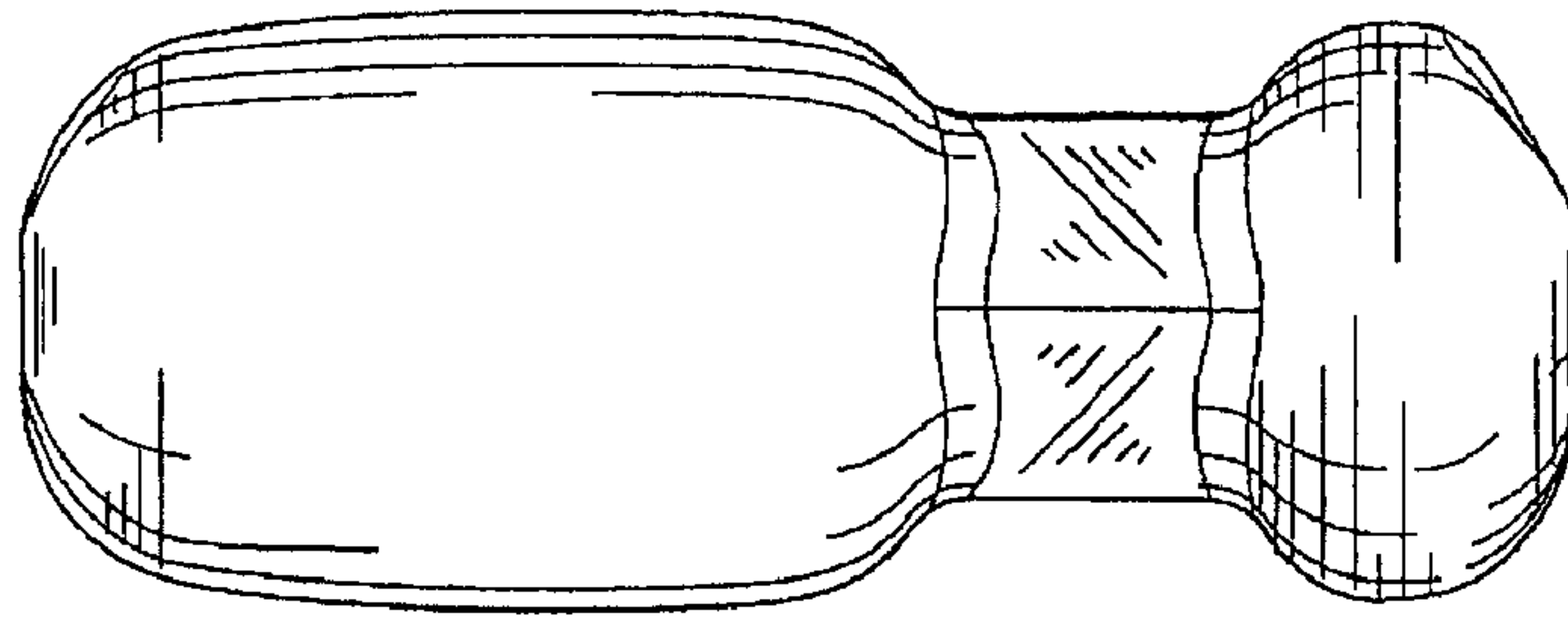


FIGURE 1

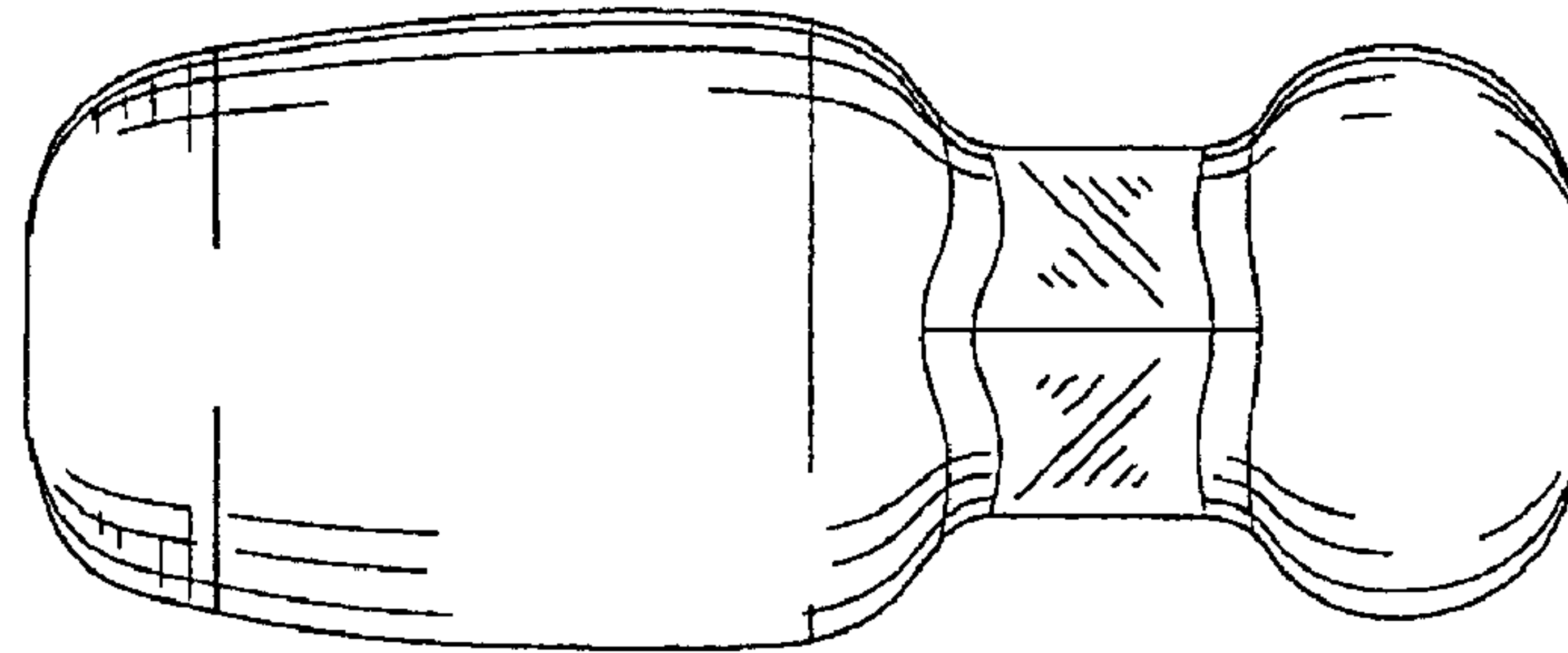


FIGURE 2

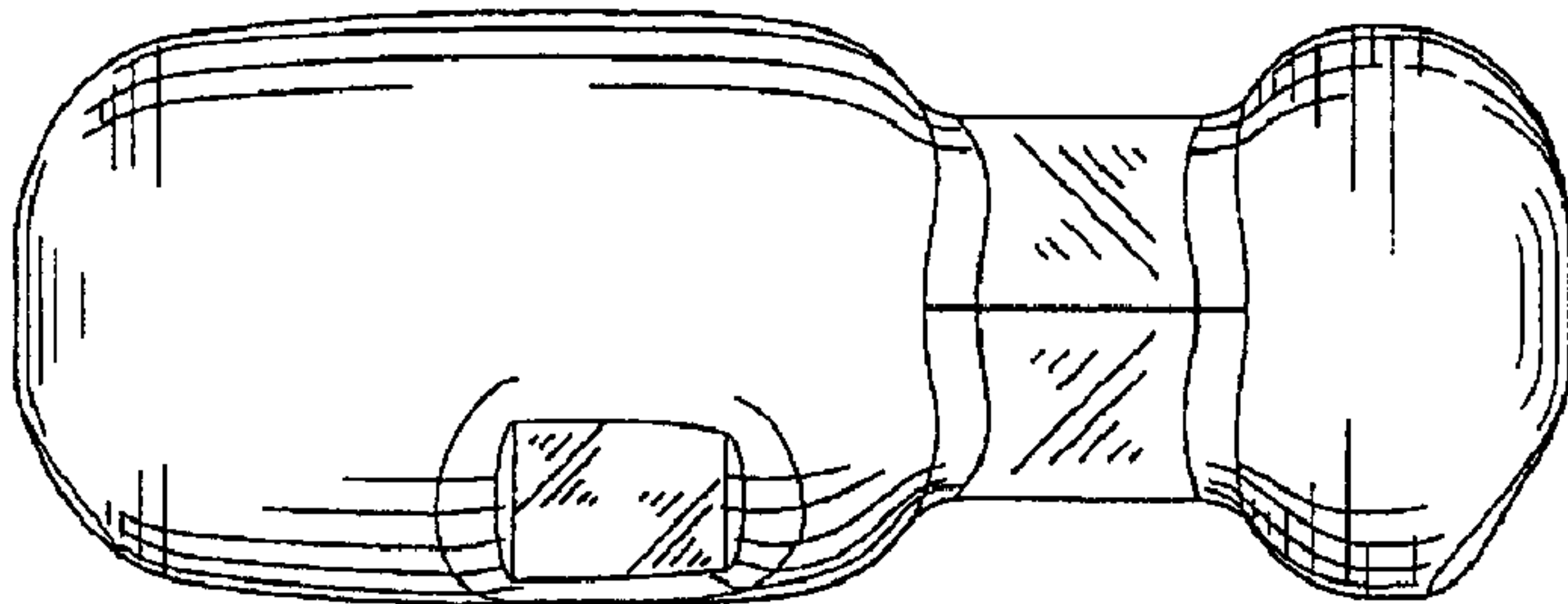


FIGURE 3

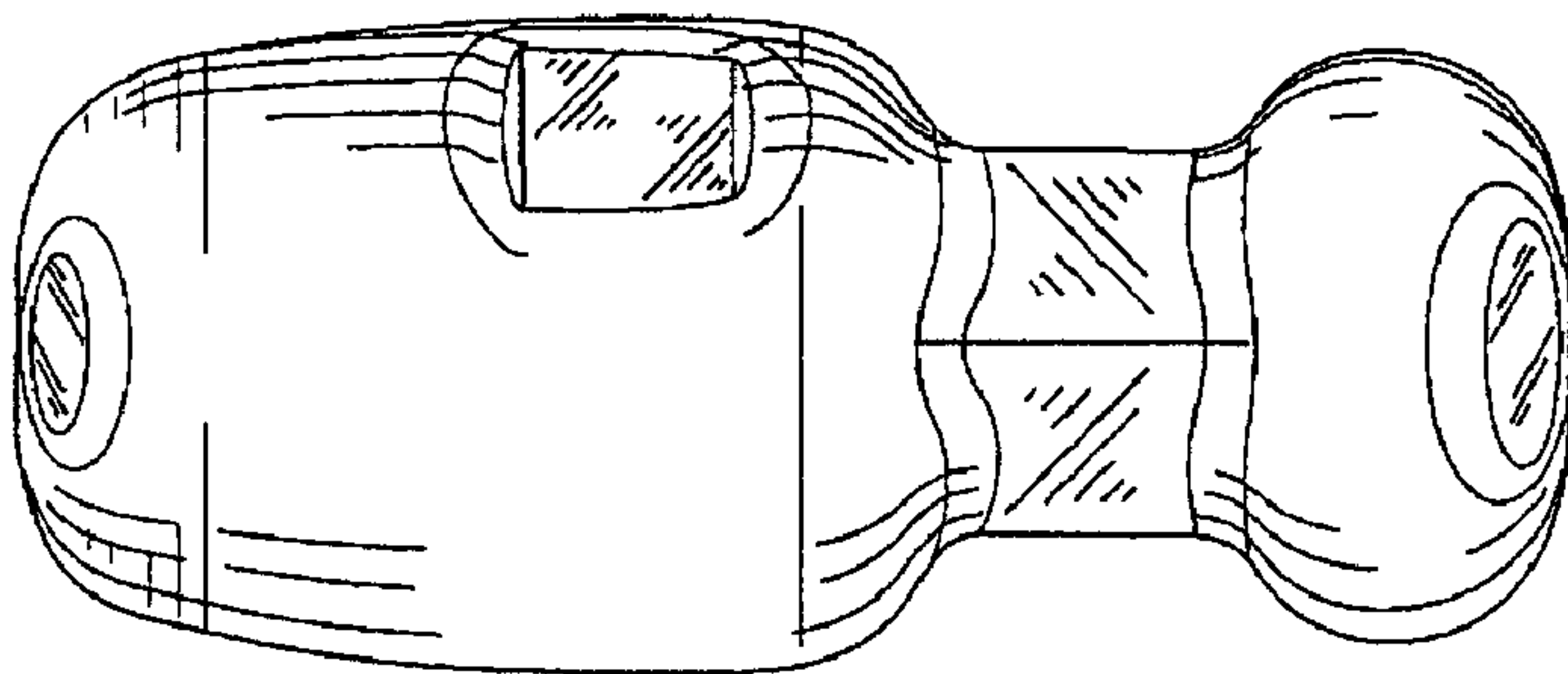


FIGURE 4

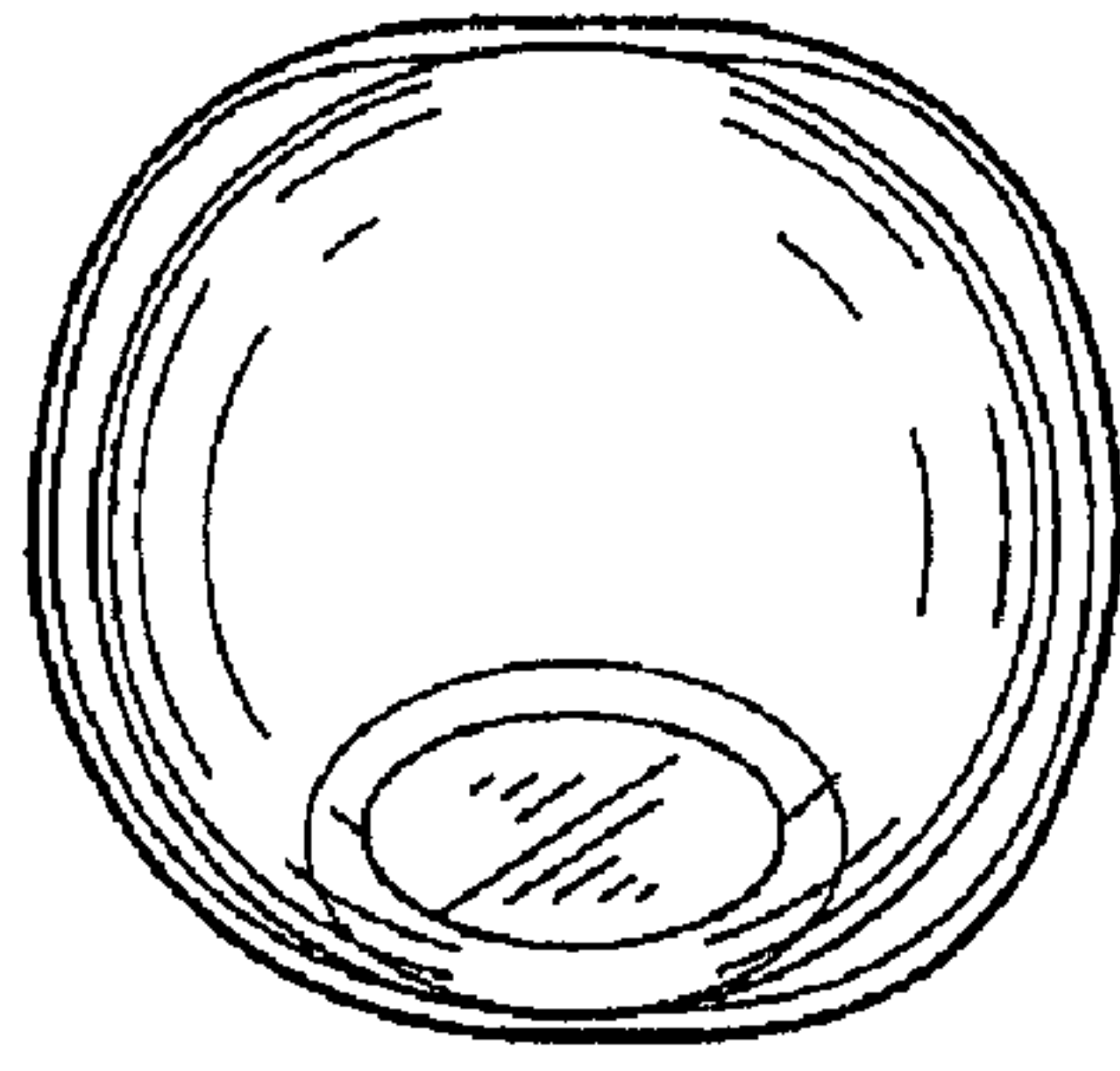


FIGURE 5

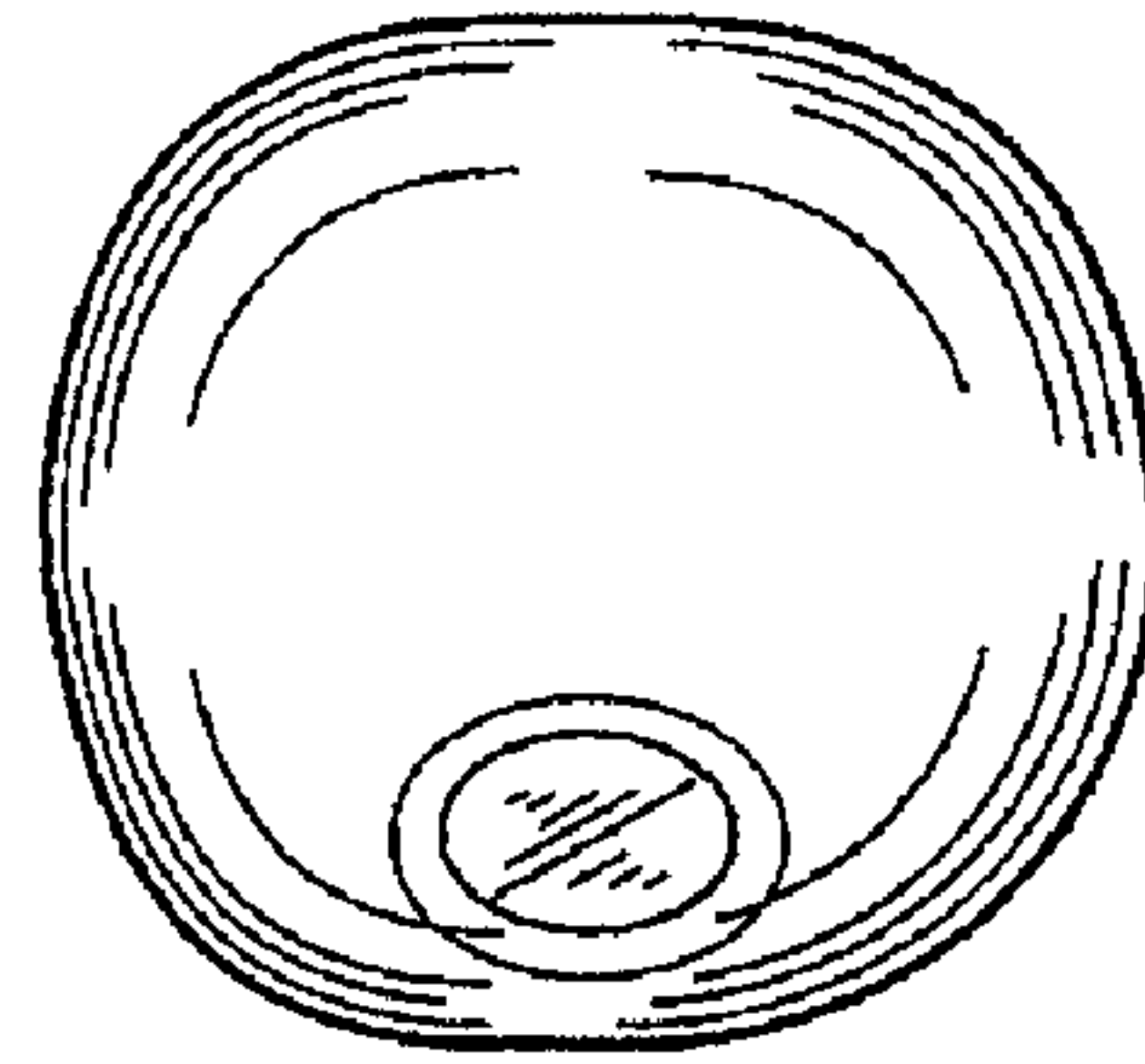


FIGURE 6

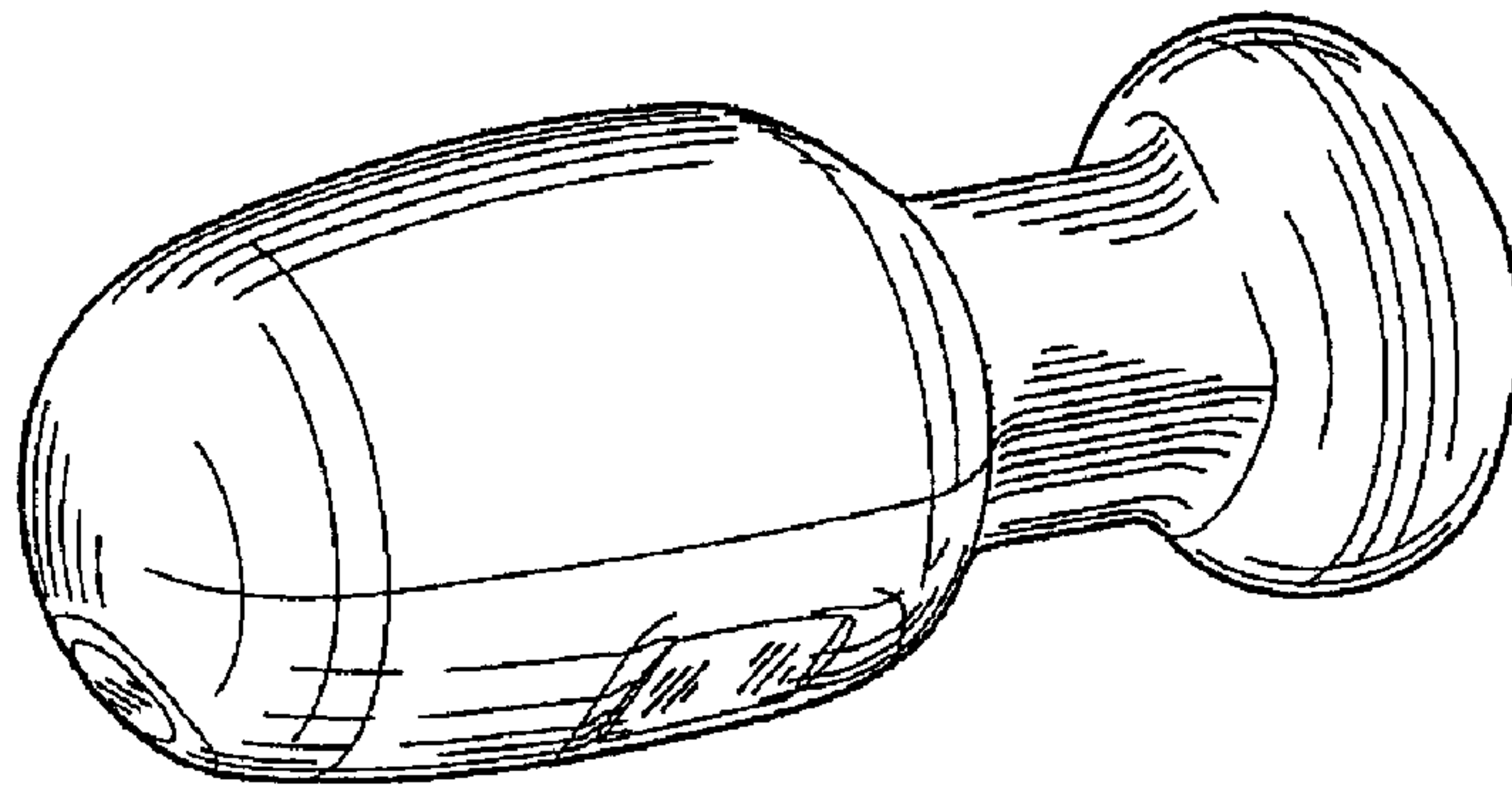


FIGURE 7

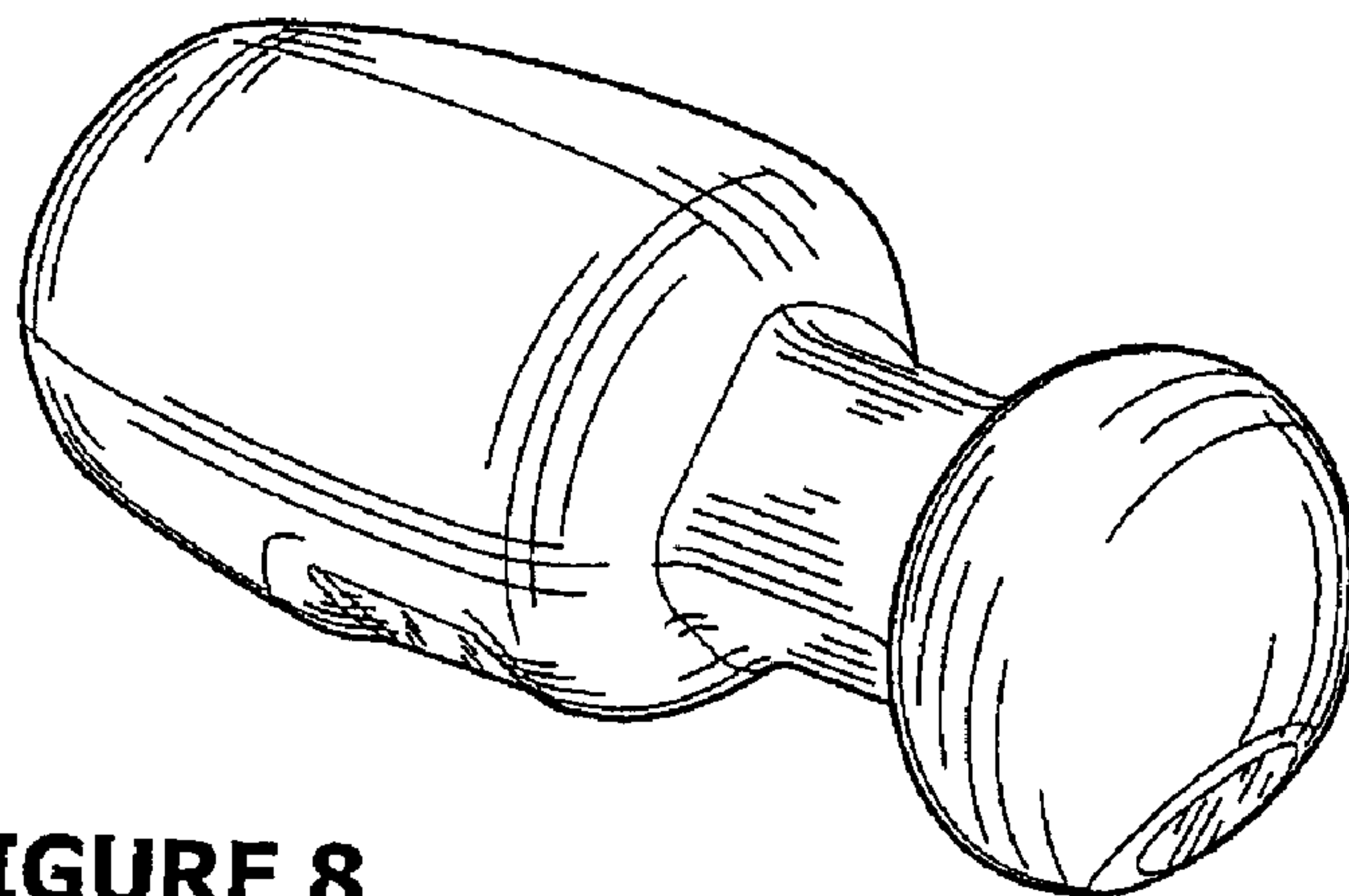


FIGURE 8