



US00D537450S

(12) **United States Design Patent**
Fretwell

(10) **Patent No.:** **US D537,450 S**

(45) **Date of Patent:** **** Feb. 27, 2007**

(54) **COOLANT TANK COVER**

(75) Inventor: **Paul Fretwell**, Oroville, CA (US)

(73) Assignee: **F&M Manufacturing and Machine Company**, Oroville, CA (US)

(**) Term: **14 Years**

(21) Appl. No.: **29/242,096**

(22) Filed: **Nov. 3, 2005**

(51) **LOC (8) Cl.** **15-01**

(52) **U.S. Cl.** **D15/4**

(58) **Field of Classification Search** D15/1-5;
123/41.7, 41.09; 165/119

See application file for complete search history.

(56) **References Cited**

U.S. PATENT DOCUMENTS

- D396,478 S * 7/1998 Hubbach D15/5
- 6,024,616 A * 2/2000 Takayanagi 440/77
- 6,474,290 B1 * 11/2002 Coffey et al. 123/198 E
- D485,216 S * 1/2004 Yamamoto et al. D12/126
- D490,818 S * 6/2004 Hieke D15/5

- 6,805,219 B2 * 10/2004 Yasuda et al. 181/204
- D510,720 S * 10/2005 Kruse D12/317
- D515,985 S * 2/2006 Kishi et al. D12/126
- D517,568 S * 3/2006 Pfeiffer D15/5

* cited by examiner

Primary Examiner—Ian Simmons

Assistant Examiner—Maurice Stevens

(74) *Attorney, Agent, or Firm*—Gordon & Rees, LLP

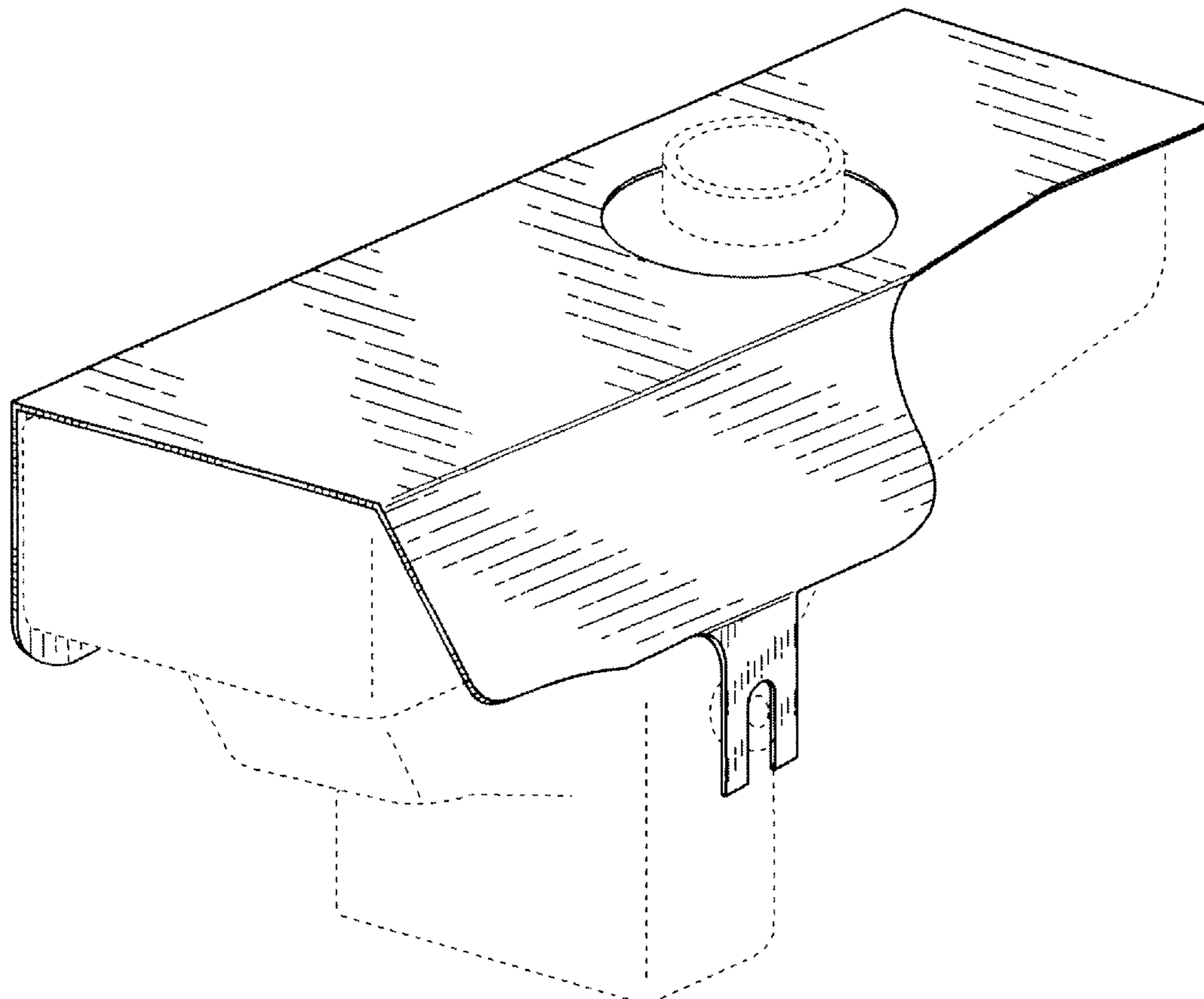
(57) **CLAIM**

The ornamental design for a coolant tank cover, as shown and described.

DESCRIPTION

FIG. 1 is a rear perspective view of the cover.
 FIG. 2 is a top plan view of the cover.
 FIG. 3 is a bottom plan view of the cover.
 FIG. 4 is a right side view of the cover.
 FIG. 5 is a left side view of the cover.
 FIG. 6 is a front elevation view of the cover; and,
 FIG. 7 is a rear elevation view of the cover.
 The broken line showing is for illustrative purposes only and forms no part of the claimed design.

1 Claim, 4 Drawing Sheets



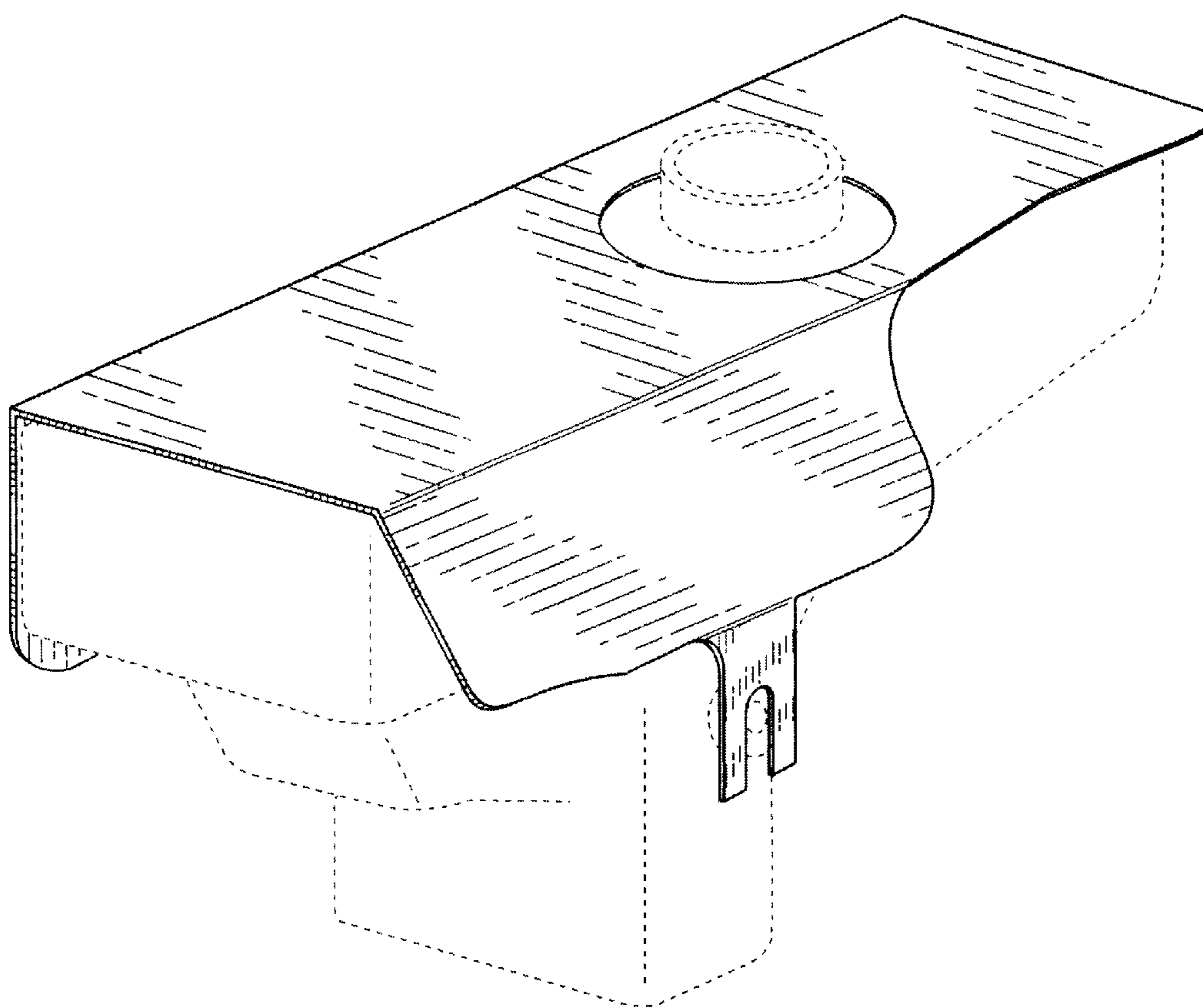


FIG. 1

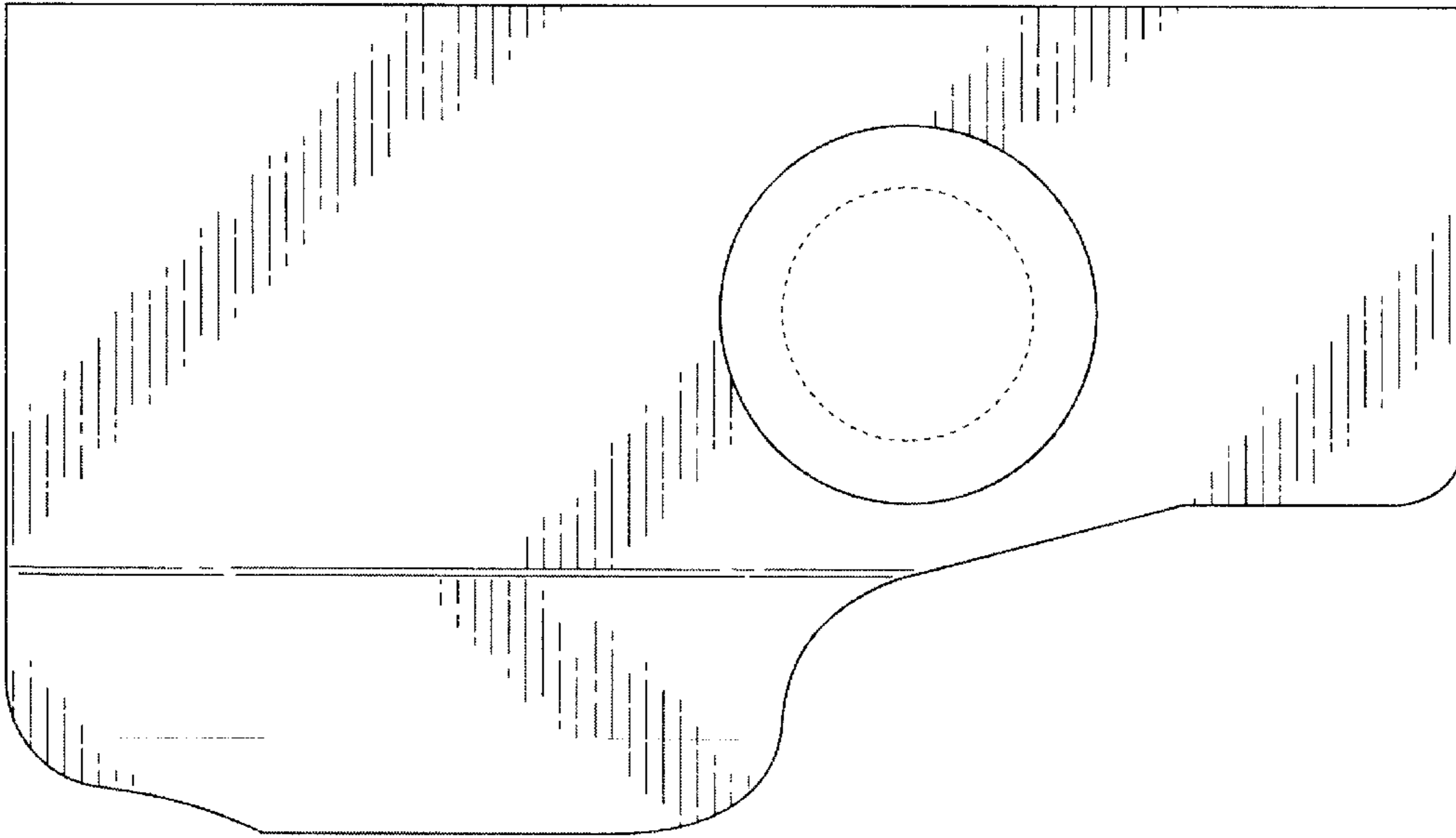


FIG. 2

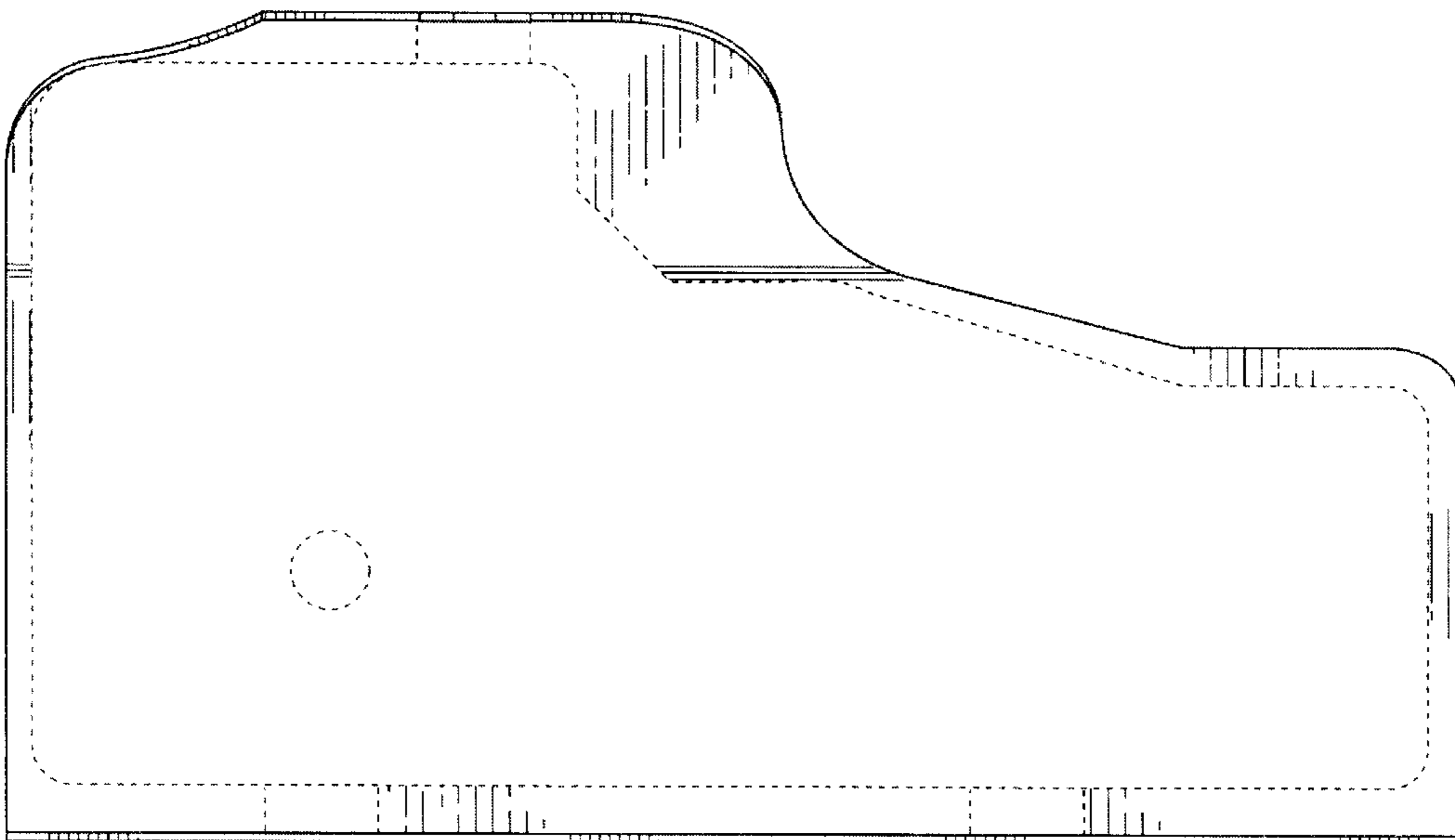


FIG. 3

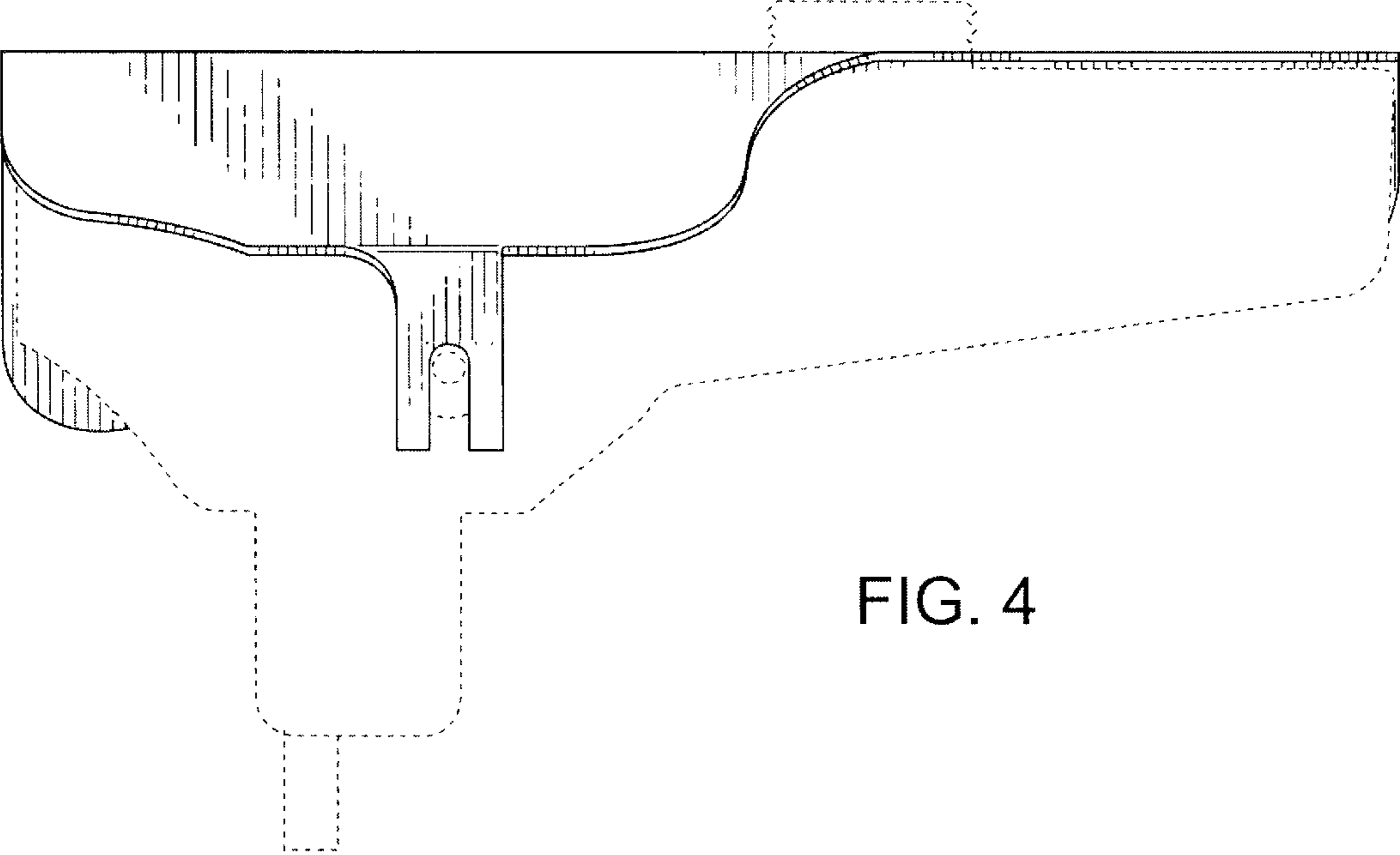


FIG. 4

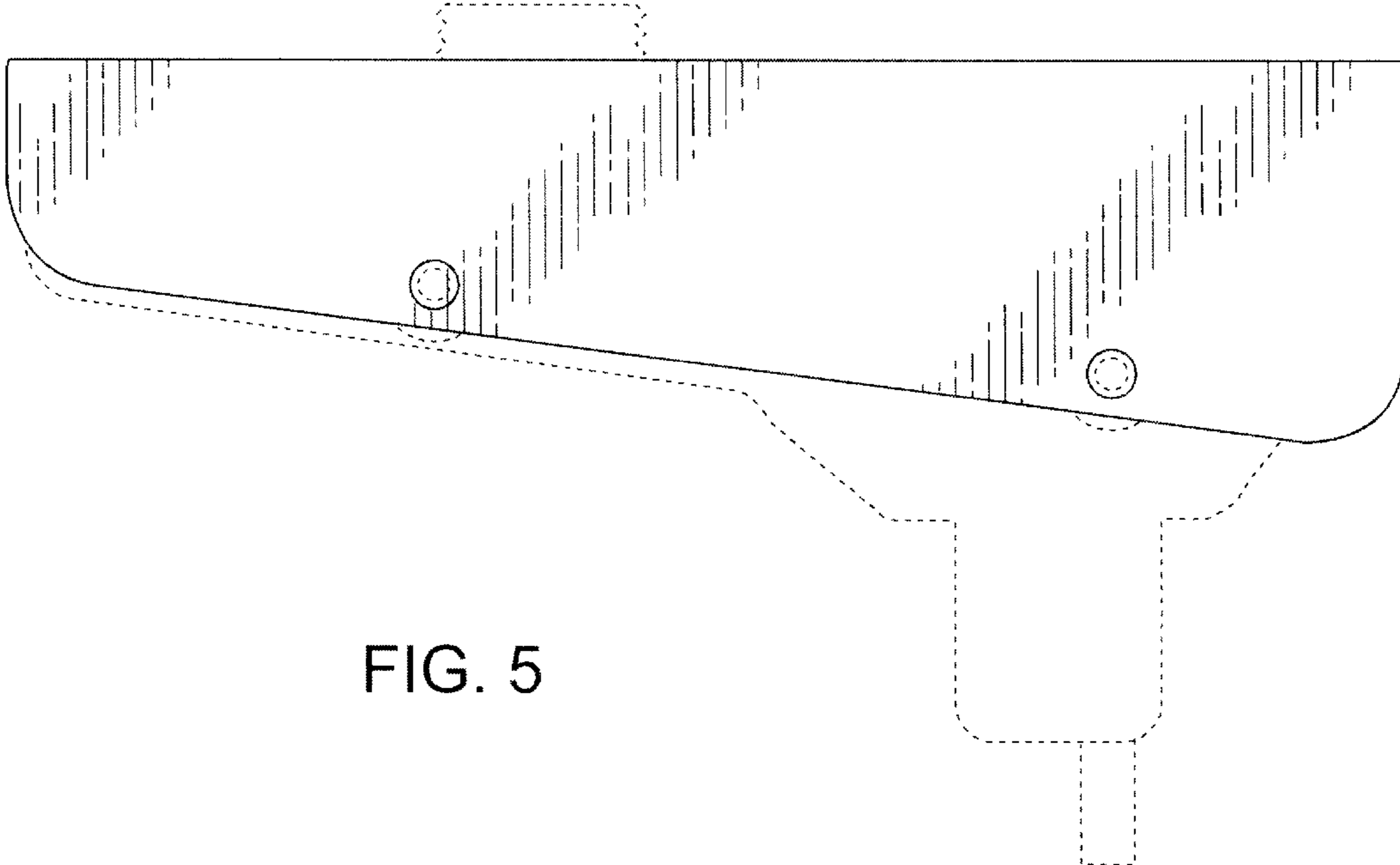


FIG. 5

