



US00D537449S

(12) **United States Design Patent** (10) **Patent No.:** **US D537,449 S**
Hoefnagels et al. (45) **Date of Patent:** **** *Feb. 27, 2007**

- (54) **USER INTERFACE FOR A PORTION OF A DISPLAY SCREEN**
- (75) Inventors: **Stephan Hoefnagels**, Seattle, WA (US);
Olivier d'Hose, Seattle, WA (US);
James H. Hong, Seattle, WA (US);
Michael James Hone, Seattle, WA (US)
- (73) Assignee: **Microsoft Corporation**, Redmond, WA (US)
- (*) Notice: This patent is subject to a terminal disclaimer.
- (**) Term: **14 Years**
- (21) Appl. No.: **29/246,093**
- (22) Filed: **Feb. 7, 2006**
- (51) **LOC (8) Cl.** **14-04**
- (52) **U.S. Cl.** **D14/485**
- (58) **Field of Classification Search** 715/500.1,
715/501.1, 526, 530-31, 539, 708, 711, 717,
715/723, 726, 733, 738, 753, 762, 763-4,
715/767-69, 778-82, 788, 790, 793-94,
715/797-8, 802-10, 835-40, 848-856, 862-63,
715/976, 978; 345/757, 782, 848, 852, 850,
345/809, 837, 798, 752, 163, 156, 537, 474,
345/836, 419, 649, 656, 659, 426, 427, 582,
345/428, 440, 660, 634, 902, 418, 629; D14/485-94;
D18/24-33; D20/40, 11; D19/6; D21/324-33;
434/43, 38; 382/305; 400/76; 710/5, 73; 707/102,
707/2; 463/32, 16; 717/170; 705/26, 27
See application file for complete search history.

(56) **References Cited**

U.S. PATENT DOCUMENTS

- D252,460 S * 7/1979 Milia et al. D14/443
- D290,707 S * 7/1987 Allen et al. D14/443
- 4,710,761 A * 12/1987 Kapur et al. 715/790
- D295,633 S * 5/1988 Wells-Papanek et al. .. D14/490
- 5,245,379 A * 9/1993 Azuma et al. 396/299
- D340,224 S * 10/1993 Gierut D13/171

- D345,548 S * 3/1994 Giebler et al. D14/339
- D348,675 S * 7/1994 Matheny D14/247
- 5,410,681 A * 4/1995 Jessen et al. 703/27
- D384,331 S * 9/1997 Hutchinson et al. D13/162
- 5,668,964 A * 9/1997 Helsel et al. 715/776
- D388,071 S * 12/1997 Yamamoto et al. D14/492
- D392,267 S * 3/1998 Mason et al. D14/491
- D395,292 S * 6/1998 Vu D14/489
- D395,296 S * 6/1998 Kaye et al. D14/492
- D398,585 S * 9/1998 Richman et al. D13/162
- D400,181 S * 10/1998 Floyd D13/162
- D400,520 S * 11/1998 Baker et al. D14/486
- D405,774 S 2/1999 Yui et al.
- D406,830 S * 3/1999 Herbstritt et al. D13/162
- D407,698 S * 4/1999 Alexiev D14/489
- D418,121 S * 12/1999 Hartford et al. D14/489
- D418,826 S 1/2000 Pavely et al.
- D419,542 S 1/2000 Hodgson
- 6,018,748 A * 1/2000 Smith 715/501.1
- D420,995 S * 2/2000 Imamura et al. D14/486
- D424,543 S * 5/2000 Hodgson D14/487
- D426,208 S * 6/2000 Hodgson D14/487
- D428,895 S * 8/2000 Chatfield et al. D14/485
- D429,700 S * 8/2000 Liebig D13/162
- D431,028 S * 9/2000 Monaco et al. D13/162
- D435,561 S 12/2000 Pettigrew et al.

(Continued)

Primary Examiner—M. H. Tung
Assistant Examiner—Susan Moon Lee
(74) *Attorney, Agent, or Firm*—Banner & Witcoff, Ltd.

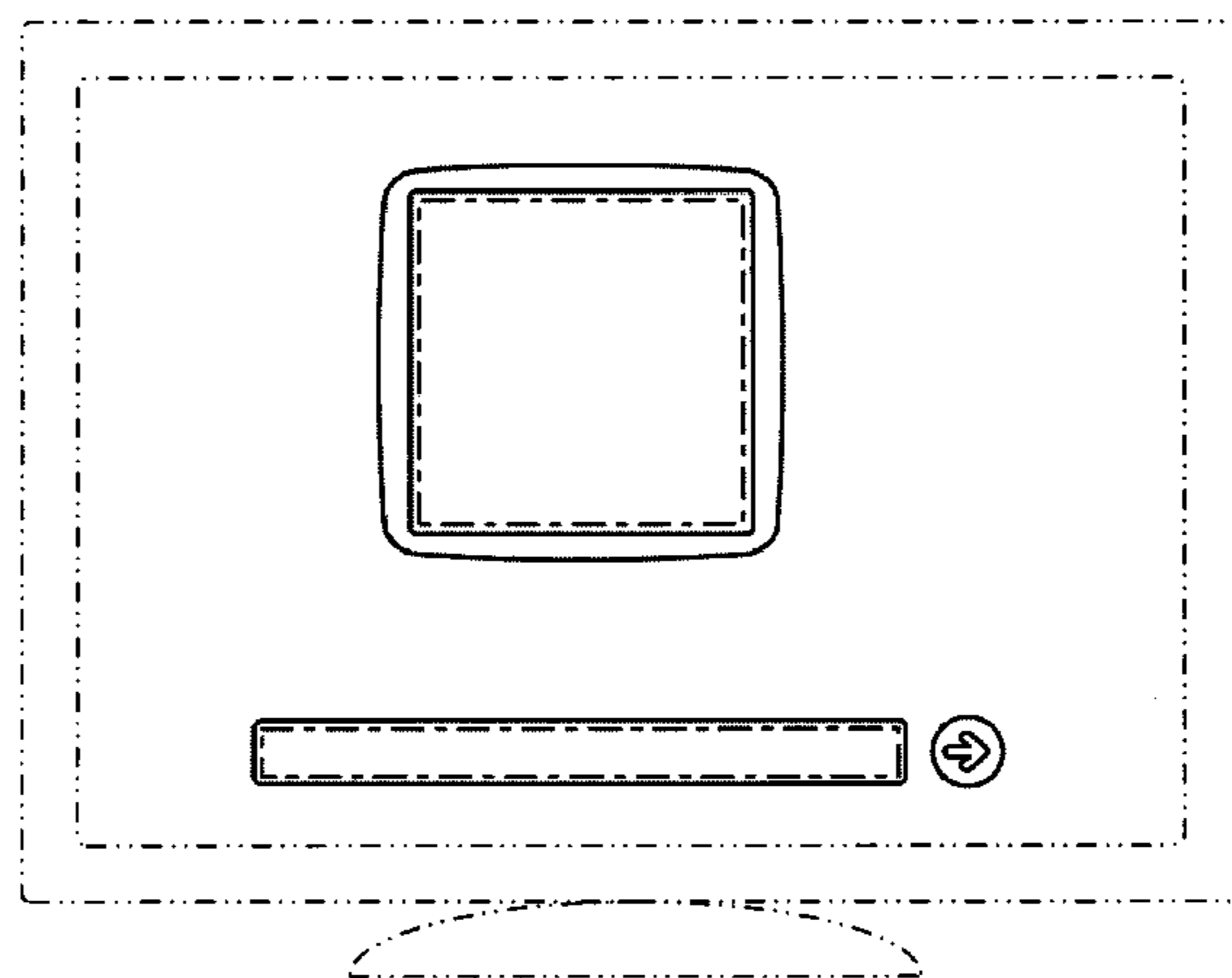
(57) **CLAIM**

The ornamental design for a user interface for a portion of a display screen, as shown and described.

DESCRIPTION

The FIGURE is a front view of a user interface for a portion of a display screen showing our new design. The broken line showing of various regions and the unshaded areas there within form no part of the claimed design. The broken line showing of the display screen is for illustrative purposes only and forms no part of the claimed design.

1 Claim, 1 Drawing Sheet



US D537,449 S

Page 2

U.S. PATENT DOCUMENTS

| | | | | | |
|-----------------|---|---------|--------------------|-------|---------|
| D438,873 S | * | 3/2001 | Wang et al. | | D14/486 |
| D439,584 S | * | 3/2001 | Wang et al. | | D14/486 |
| D440,575 S | * | 4/2001 | Wang et al. | | D14/489 |
| D440,979 S | * | 4/2001 | Wang et al. | | D14/489 |
| D444,793 S | * | 7/2001 | Richter | | D14/486 |
| D445,427 S | * | 7/2001 | Faris et al. | | D14/487 |
| D449,837 S | | 10/2001 | Moody | | |
| D450,058 S | | 11/2001 | Istvan et al. | | |
| D450,324 S | | 11/2001 | Istvan et al. | | |
| D450,711 S | | 11/2001 | Istvan et al. | | |
| D452,693 S | * | 1/2002 | Mitchell | | D14/492 |
| D453,767 S | | 2/2002 | Istvan et al. | | |
| D454,355 S | * | 3/2002 | Yoshioka | | D14/486 |
| 6,374,056 B1 | * | 4/2002 | Umetsu et al. | | 396/299 |
| 6,501,464 B1 | * | 12/2002 | Cobbley et al. | | 345/173 |
| D469,105 S | * | 1/2003 | Hammerquist et al. | | D14/486 |
| D470,153 S | | 2/2003 | Billmaier et al. | | |
| D472,244 S | * | 3/2003 | Wasko | | D14/486 |
| 6,535,842 B1 | * | 3/2003 | Roche et al. | | 704/7 |
| D475,064 S | | 5/2003 | Nashida et al. | | |
| D476,015 S | * | 6/2003 | Ombao et al. | | D14/486 |
| D484,142 S | | 12/2003 | Bungert | | |
| 6,657,647 B1 | | 12/2003 | Bright | | |
| D494,937 S | * | 8/2004 | You et al. | | D13/162 |
| D495,715 S | * | 9/2004 | Gildred | | D14/486 |
| D496,370 S | * | 9/2004 | Gildred | | D14/486 |
| D501,214 S | | 1/2005 | Melander et al. | | |
| 6,954,902 B2 | * | 10/2005 | Noma et al. | | 715/753 |
| 7,019,757 B2 | * | 3/2006 | Brown et al. | | 345/592 |
| 2003/0164849 A1 | * | 9/2003 | Barrie et al. | | 345/33 |
| 2003/0222921 A1 | * | 12/2003 | Rummel | | 345/788 |
| 2004/0135809 A1 | * | 7/2004 | Lehman | | 345/767 |
| 2004/0174395 A1 | * | 9/2004 | Jefferson | | 345/773 |

* cited by examiner

