



US00D537448S

(12) **United States Design Patent**
Ayala et al.

(10) **Patent No.:** **US D537,448 S**

(45) **Date of Patent:** **** Feb. 27, 2007**

(54) **4U RACK-MOUNT CHASSIS FRONT PANEL**

(75) Inventors: **Gerardo David Ayala**, Provo, UT (US); **Michael S. Horito**, Provo, UT (US); **Jonathan Jay Woolley**, Draper, UT (US); **Roger T. Johnsen**, Salt Lake City, UT (US)

(73) Assignee: **Control4 Corporation**, Draper, UT (US)

(**) Term: **14 Years**

(21) Appl. No.: **29/212,789**

(22) Filed: **Sep. 7, 2004**

(51) **LOC (8) Cl.** **14-02**

(52) **U.S. Cl.** **D14/441**

(58) **Field of Classification Search** D14/441-446, D14/313; D13/162, 184, 199; 312/223.1, 312/223.2; 361/680-686; 369/34.01, 36.01
See application file for complete search history.

(56) **References Cited**

U.S. PATENT DOCUMENTS

D307,423 S * 4/1990 Hill D14/441
D395,881 S * 7/1998 Hartling et al. D14/441

D432,541 S * 10/2000 McIlvaine D14/441
D434,043 S * 11/2000 Holland et al. D14/444
D440,572 S * 4/2001 Jean et al. D14/445
D482,695 S * 11/2003 Storti et al. D14/444
D484,139 S * 12/2003 Burmeister D14/444
D485,844 S * 1/2004 Chen et al. D14/442

* cited by examiner

Primary Examiner—Freda S. Nunn

(74) *Attorney, Agent, or Firm*—Thorpe North & Western, LLP

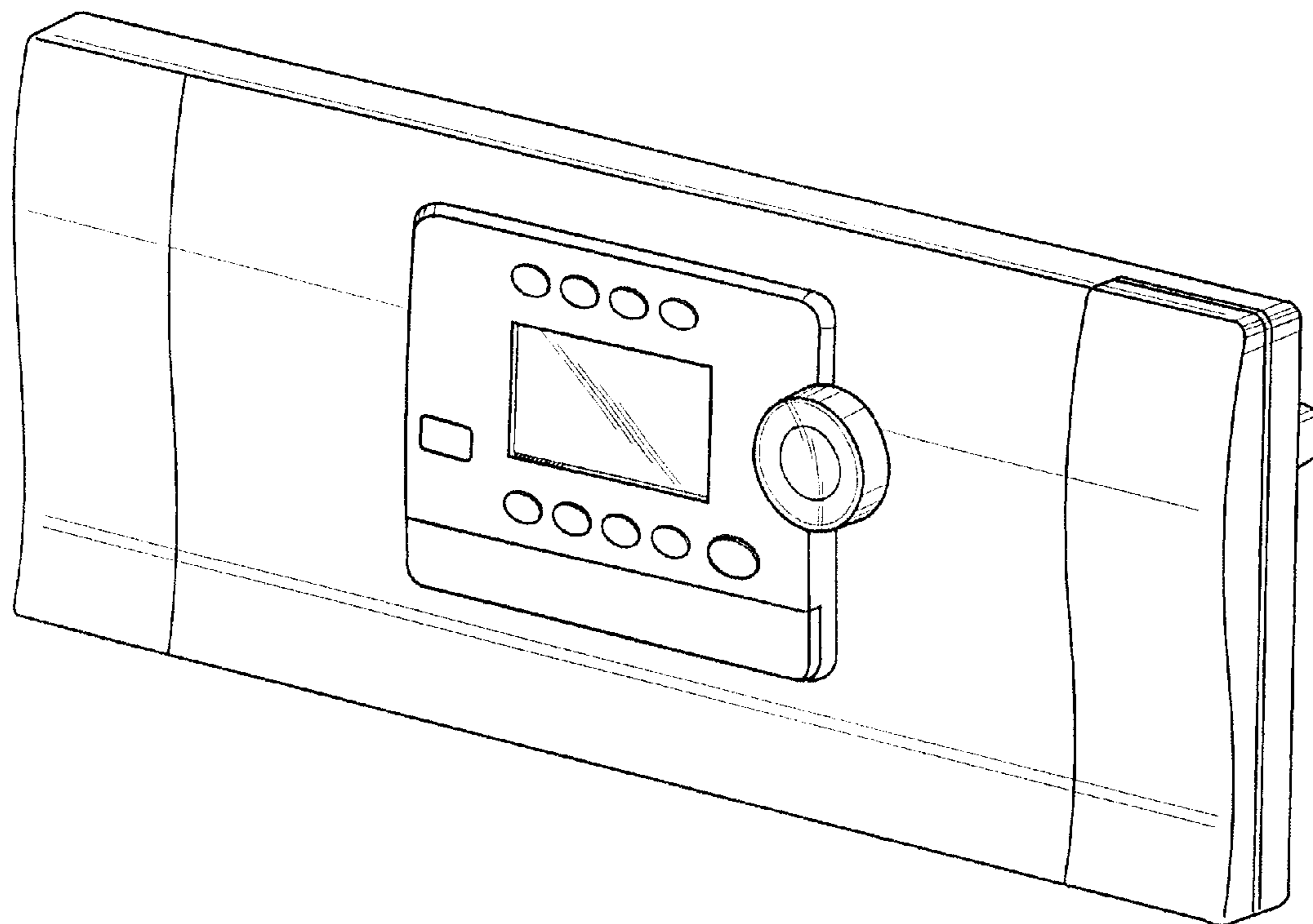
(57) **CLAIM**

The ornamental design for a 4U rack-mount chassis front panel, as shown and described.

DESCRIPTION

FIG. 1 is an elevated, perspective view of the 4U rack-mount chassis front panel in accordance with our invention; FIG. 2 is a front view thereof; FIG. 3 is a side view thereof; FIG. 4 is an opposing side view thereof; FIG. 5 is a top view thereof; and, FIG. 6 is a bottom view of our invention as shown in FIG. 1.

1 Claim, 6 Drawing Sheets



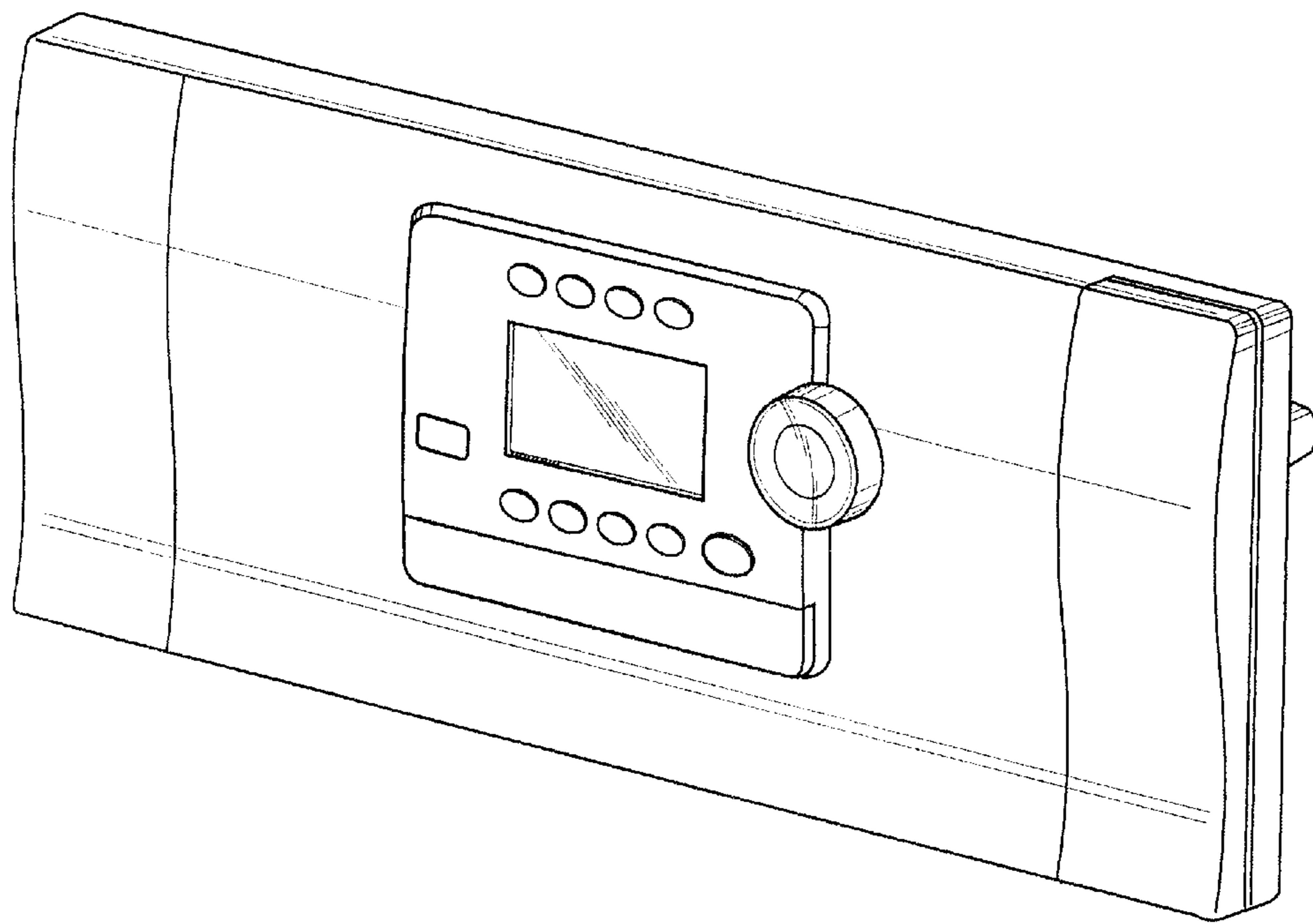


Fig. 1

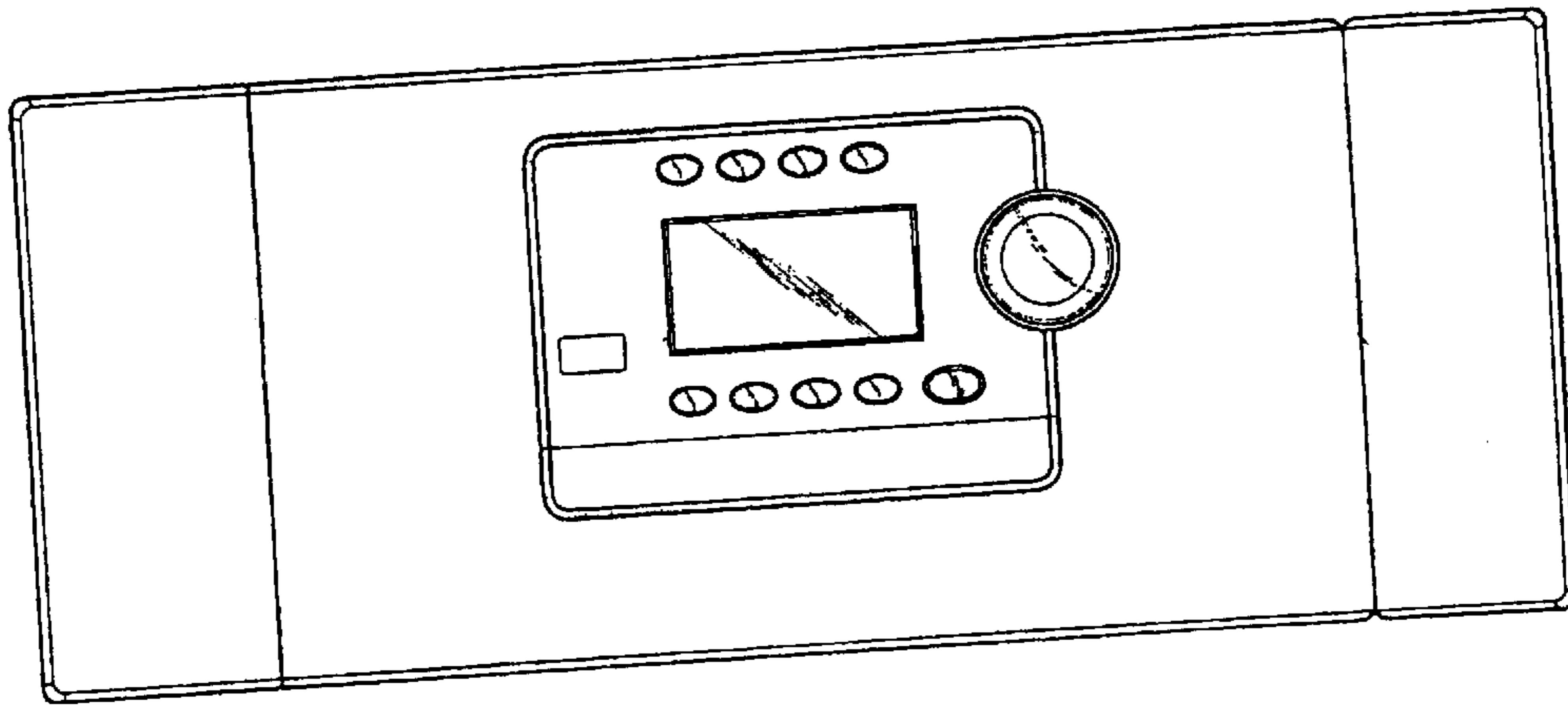


Fig. 2

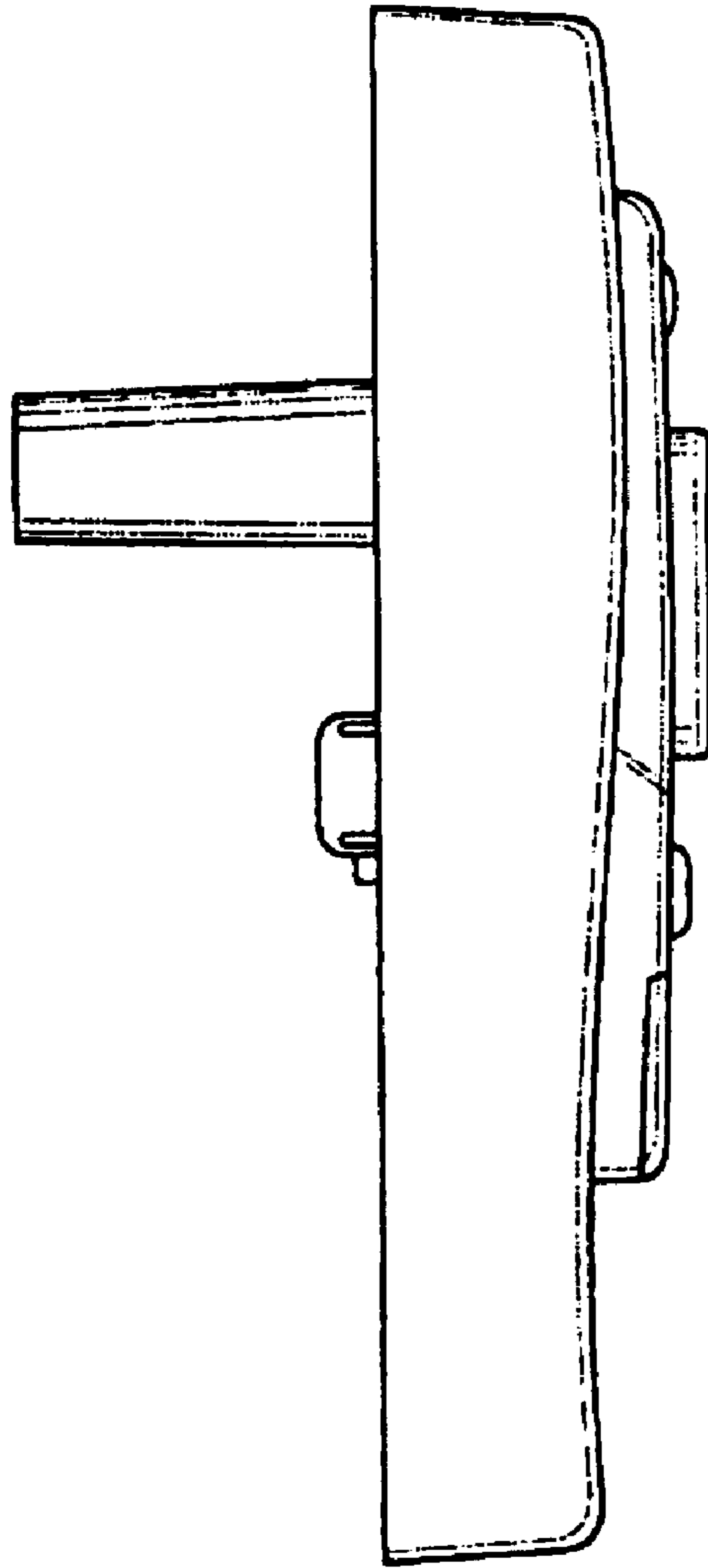


Fig. 3

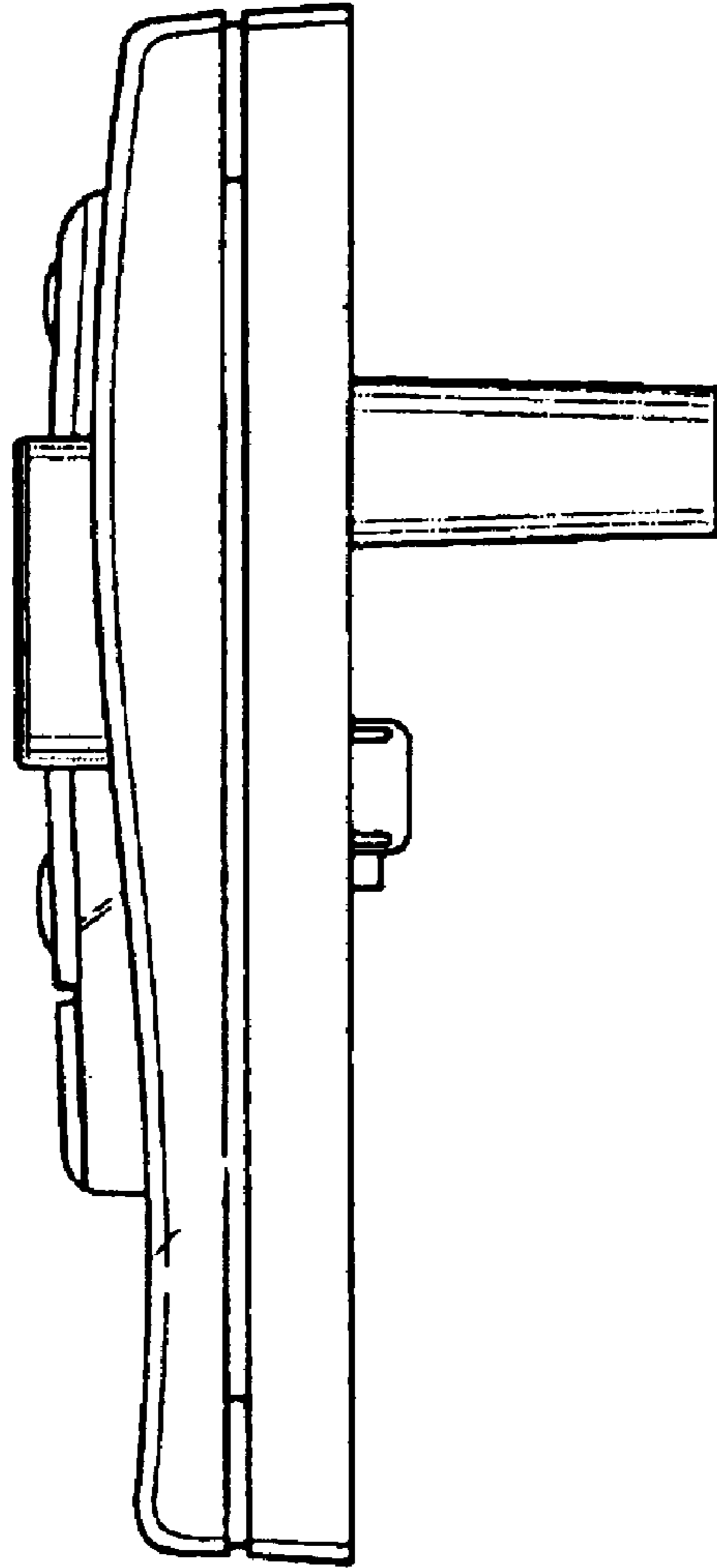


Fig. 4

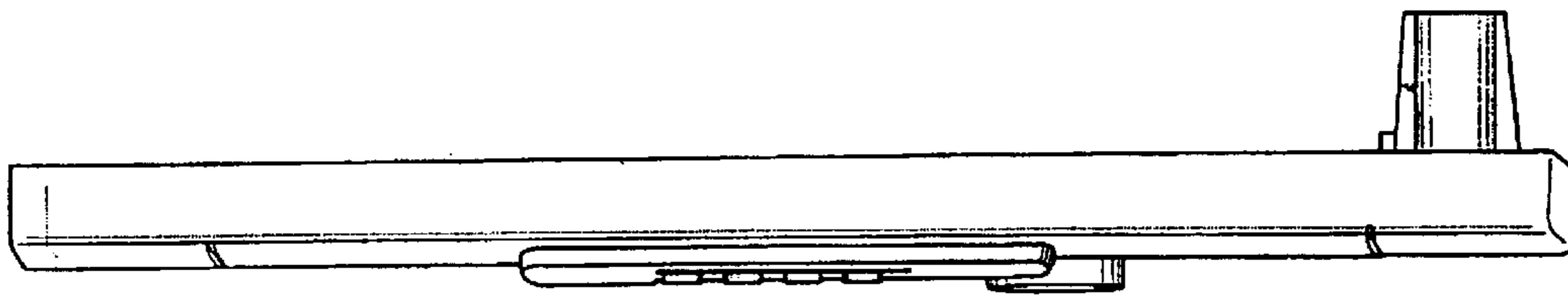


Fig. 5

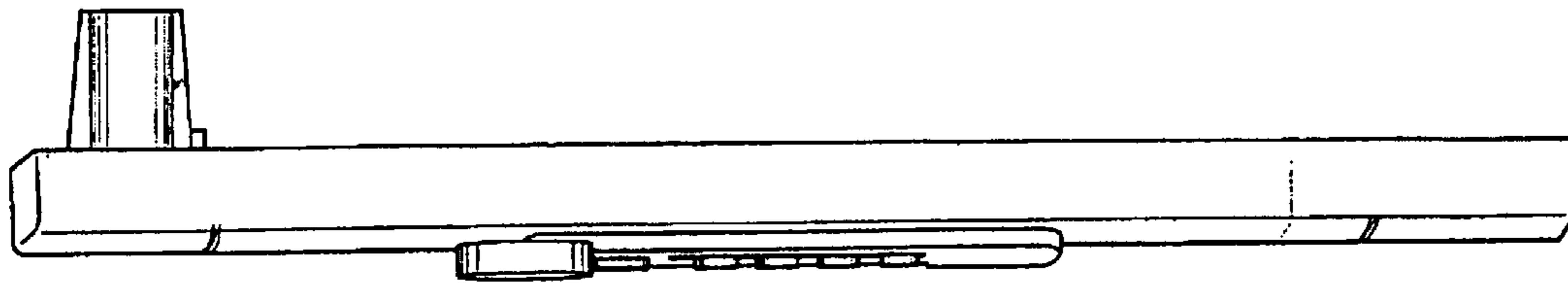


Fig. 6