



US00D537438S

(12) **United States Design Patent**
Hermansen

(10) **Patent No.:** **US D537,438 S**

(45) **Date of Patent:** **** Feb. 27, 2007**

- (54) **COMBINED EARSET AND CHARGER**
- (75) Inventor: **Anders Hermansen**, Copenhagen (DK)
- (73) Assignee: **Bang & Olufsen A/S**, Struer (DK)
- (**) Term: **14 Years**

- (21) Appl. No.: **29/239,744**
- (22) Filed: **Oct. 4, 2005**

(30) **Foreign Application Priority Data**

Apr. 5, 2005 (DK) DA 2005 00108

- (51) **LOC (8) Cl.** **14-01**
- (52) **U.S. Cl.** **D14/223**
- (58) **Field of Classification Search** D14/137,
D14/138, 142, 147, 148, 150, 155, 181, 188,
D14/205, 206, 240, 223, 191, 192; D13/184;
379/426, 430, 431, 433, 454, 455, 446; 455/462,
455/573

See application file for complete search history.

(56) **References Cited**

U.S. PATENT DOCUMENTS

4,389,469	A	*	6/1983	Nicholls	429/98
D272,904	S	*	3/1984	Kawano	D14/205
4,453,050	A	*	6/1984	Enokido	381/381
5,450,496	A	*	9/1995	Burris et al.	381/375
5,525,888	A	*	6/1996	Toya	320/111
D385,272	S	*	10/1997	Jensen et al.	D14/142
6,043,626	A	*	3/2000	Snyder et al.	320/113
6,101,260	A	*	8/2000	Jensen et al.	381/381
6,229,893	B1	*	5/2001	Chen	379/454
6,307,348	B1	*	10/2001	Green	320/111
D460,749	S	*	7/2002	Liu	D14/206
D518,477	S	*	4/2006	Chen	D14/223

* cited by examiner

Primary Examiner—Paula A. Greene

(74) *Attorney, Agent, or Firm*—Buchanan Ingersoll & Rooney PC

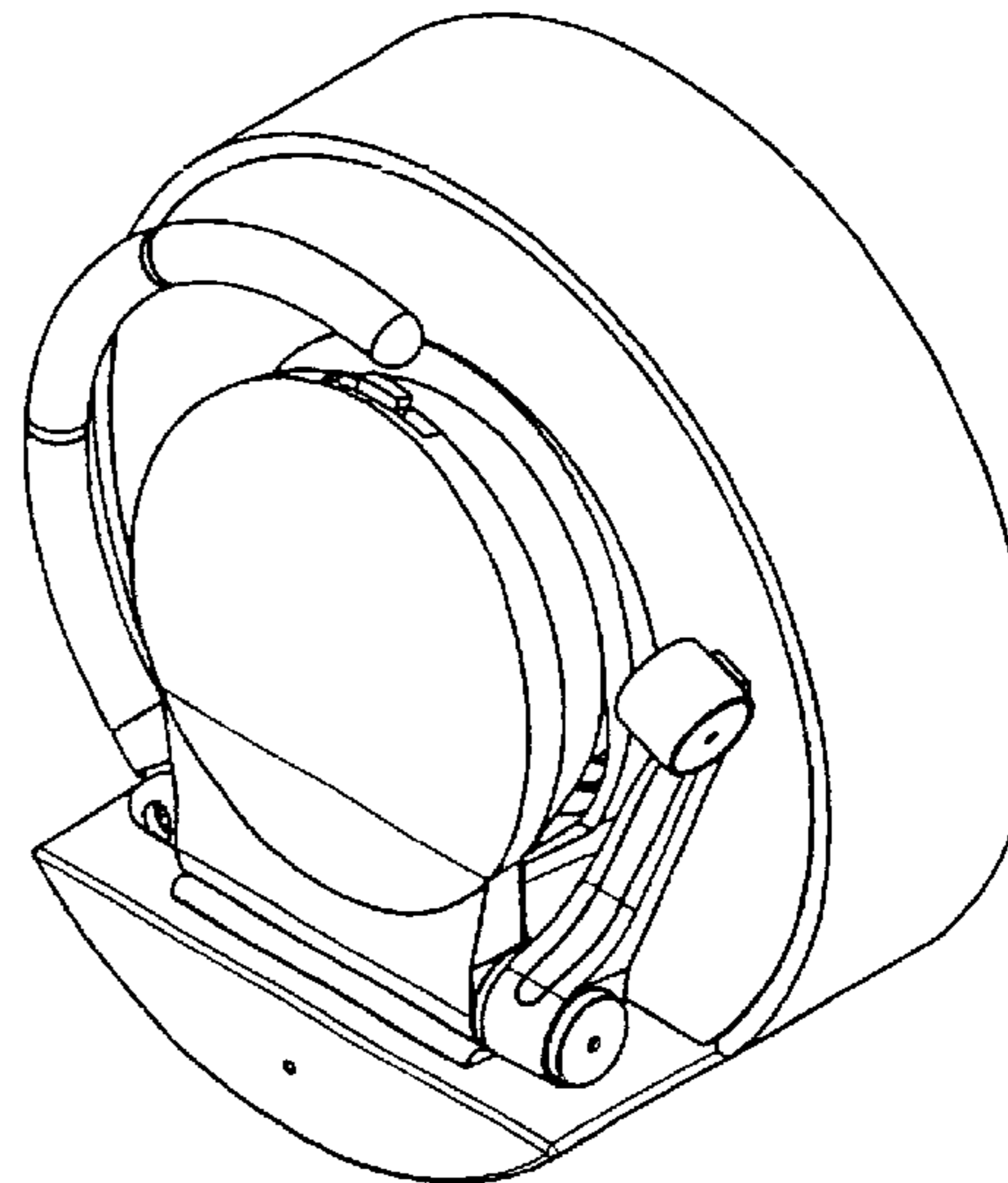
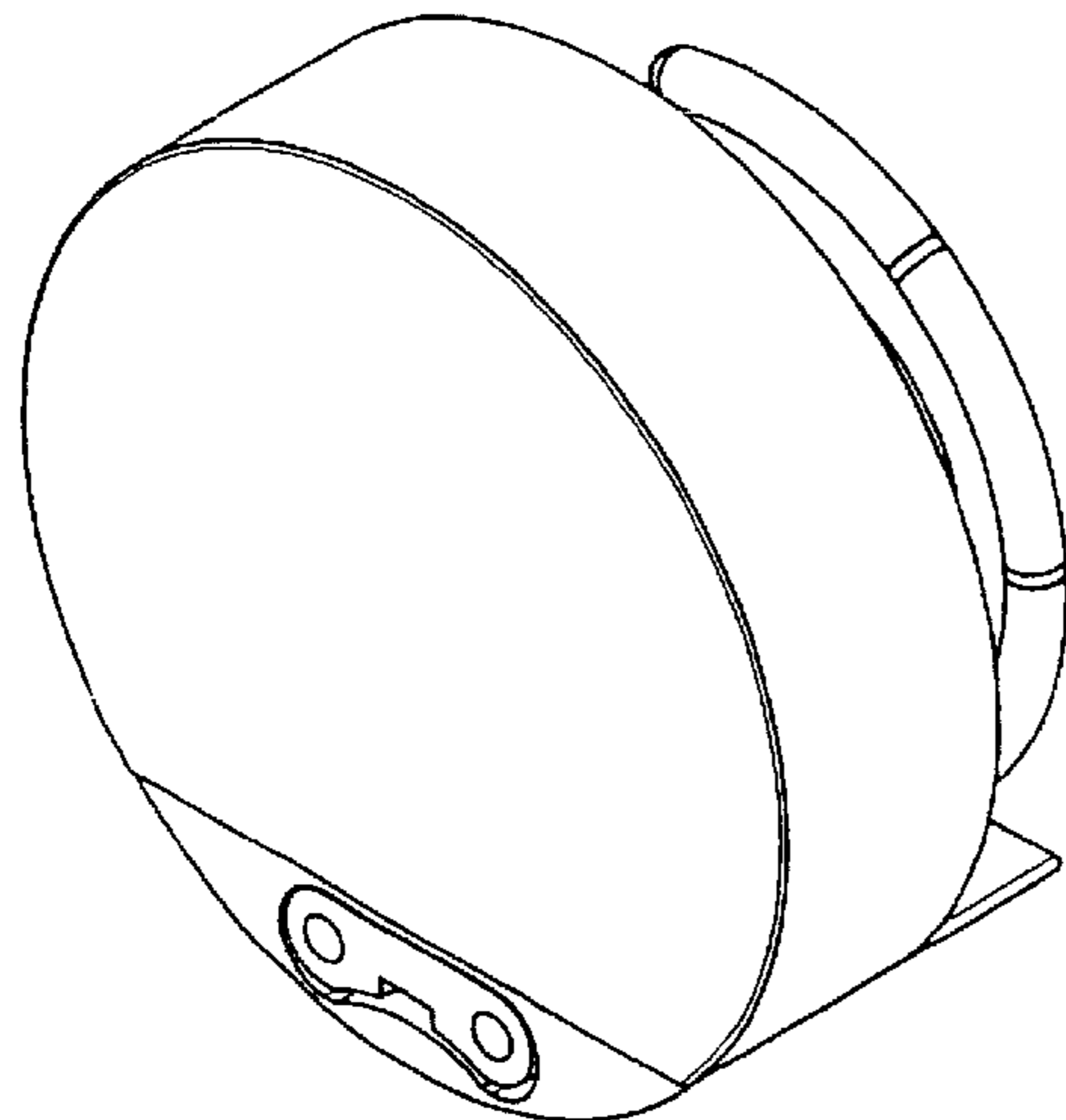
(57) **CLAIM**

The ornamental design for a combined earset and charger, as shown and described.

DESCRIPTION

FIG. 1 is a front, side perspective view of the combined earset and charger showing my new design, the earset is shown separately for purposes of illustration; FIG. 2 is a rear, side perspective view thereof; FIG. 3 is a front elevational view thereof; FIG. 4 is a rear elevational view thereof; FIG. 5 is a left side elevational view thereof; FIG. 6 is a right side elevational view thereof; FIG. 7 is a top plan view thereof; FIG. 8 is a bottom plan view thereof; FIG. 9 is a front, side perspective view of the combined earset and charger showing my new design, the charger is shown separately for purposes of illustration; FIG. 10 is a rear, side perspective view thereof; FIG. 11 is a front elevational view thereof; FIG. 12 is a rear elevational view thereof; FIG. 13 is a left side elevational view thereof; FIG. 14 is a right side elevational view thereof; FIG. 15 is a top plan view thereof; FIG. 16 is a bottom plan view thereof; FIG. 17 is a front, side perspective view of the earset of FIG. 1 shown in position in the charger of FIG. 9; FIG. 18 is a rear, side perspective view thereof; FIG. 19 is a front elevational view thereof; FIG. 20 is a rear elevational view thereof; FIG. 21 is a left side elevational view thereof; FIG. 22 is a right side elevational view thereof; FIG. 23 is a top plan view thereof; and, FIG. 24 is a bottom plan view thereof.

1 Claim, 24 Drawing Sheets



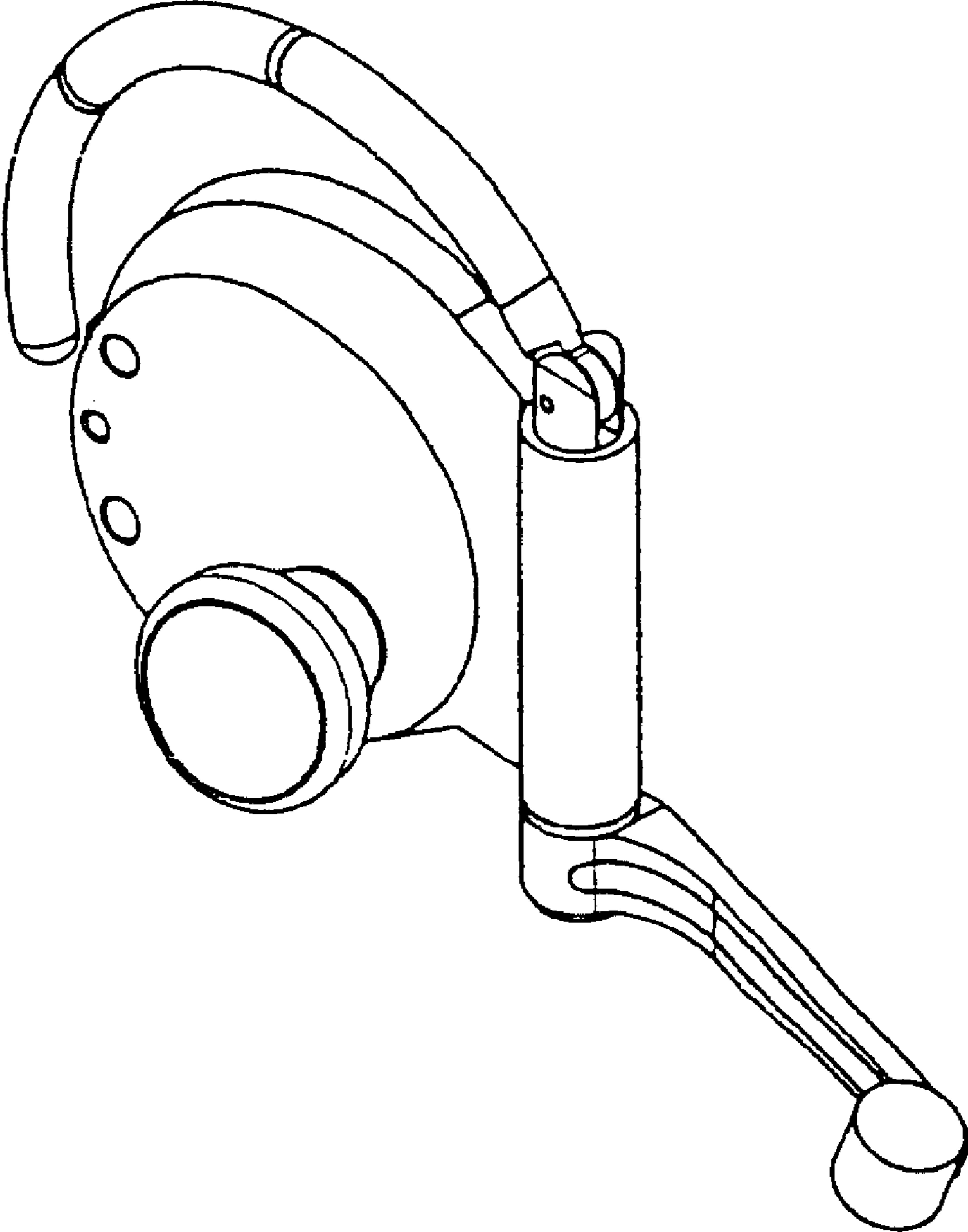


FIG. 1

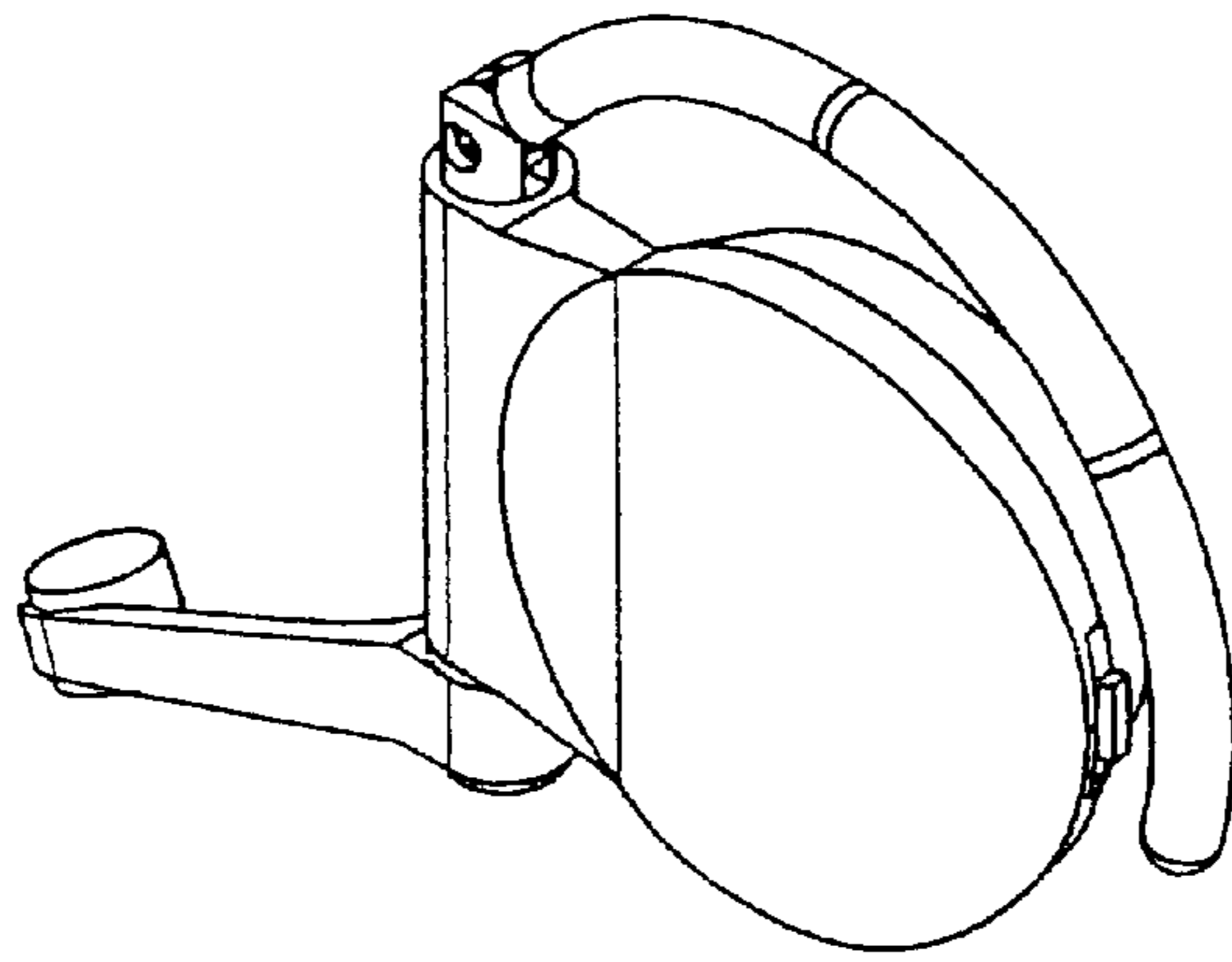


FIG. 2

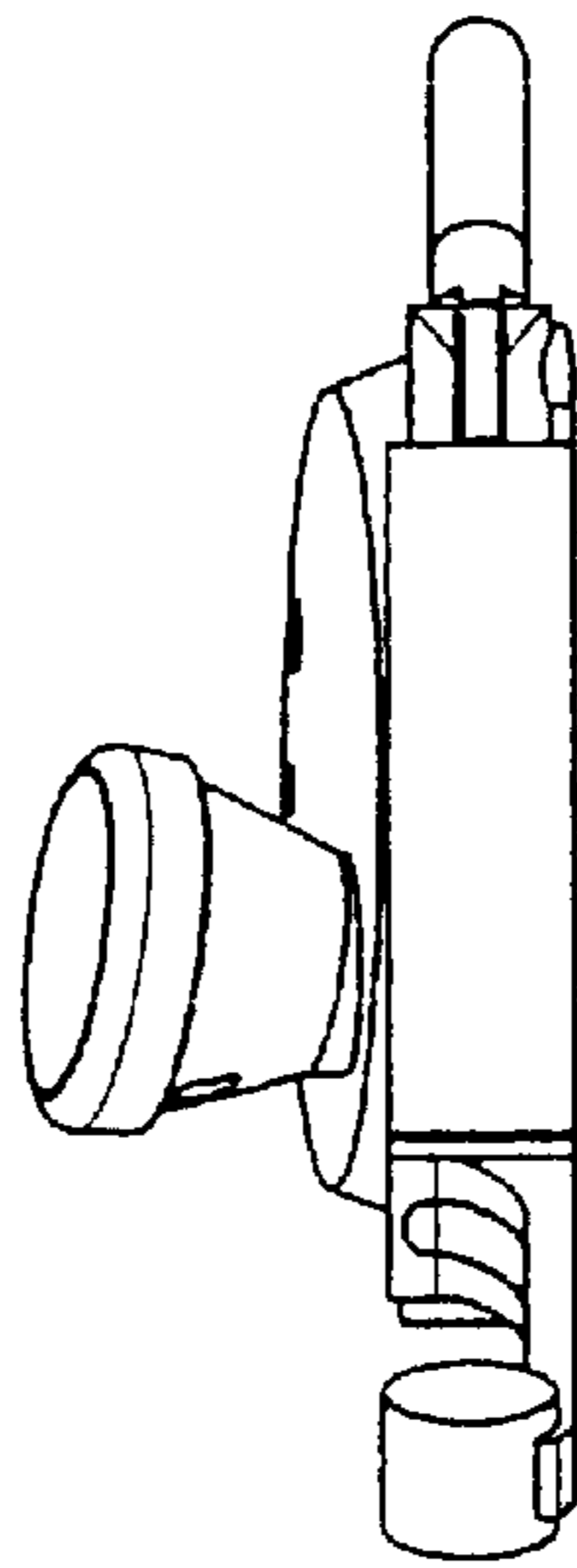


FIG. 3

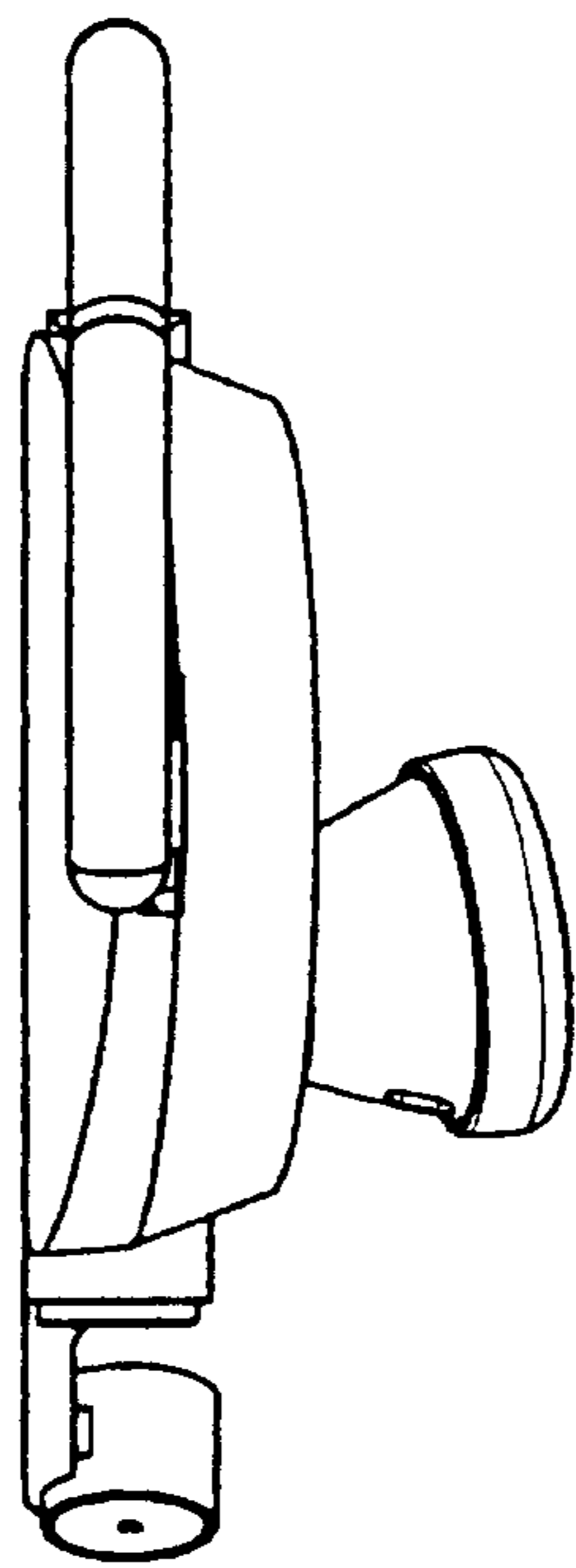


FIG. 4

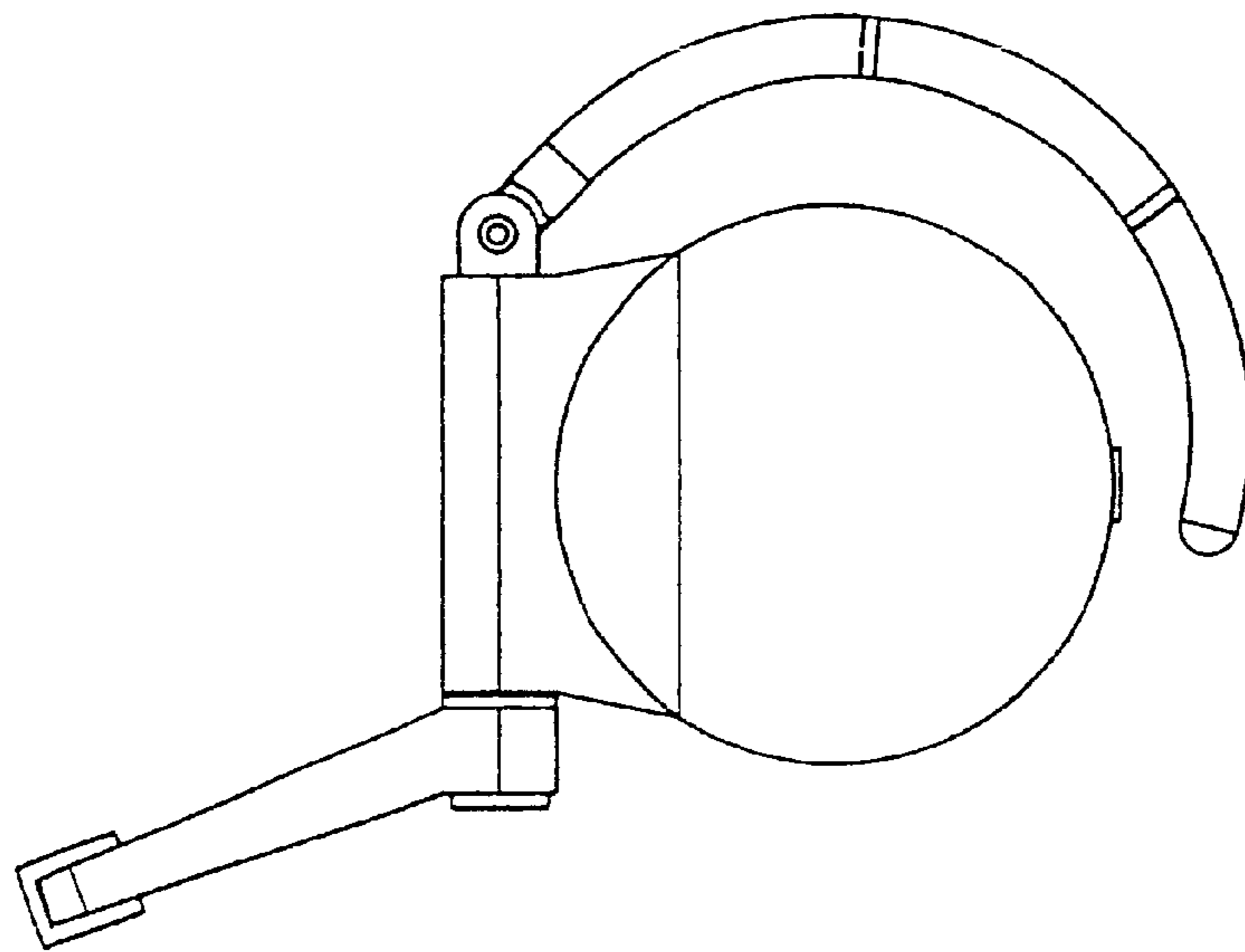


FIG. 5

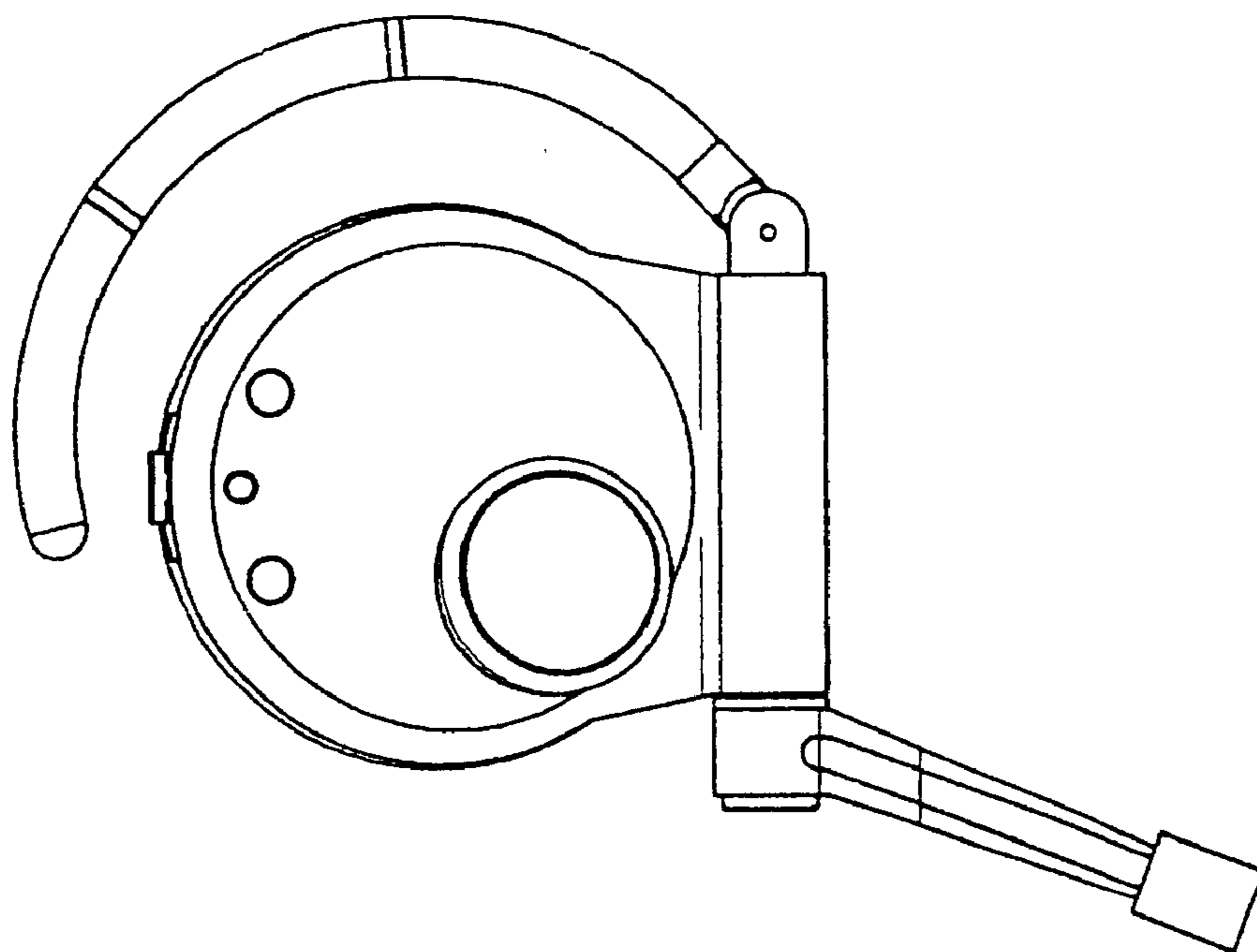


FIG. 6

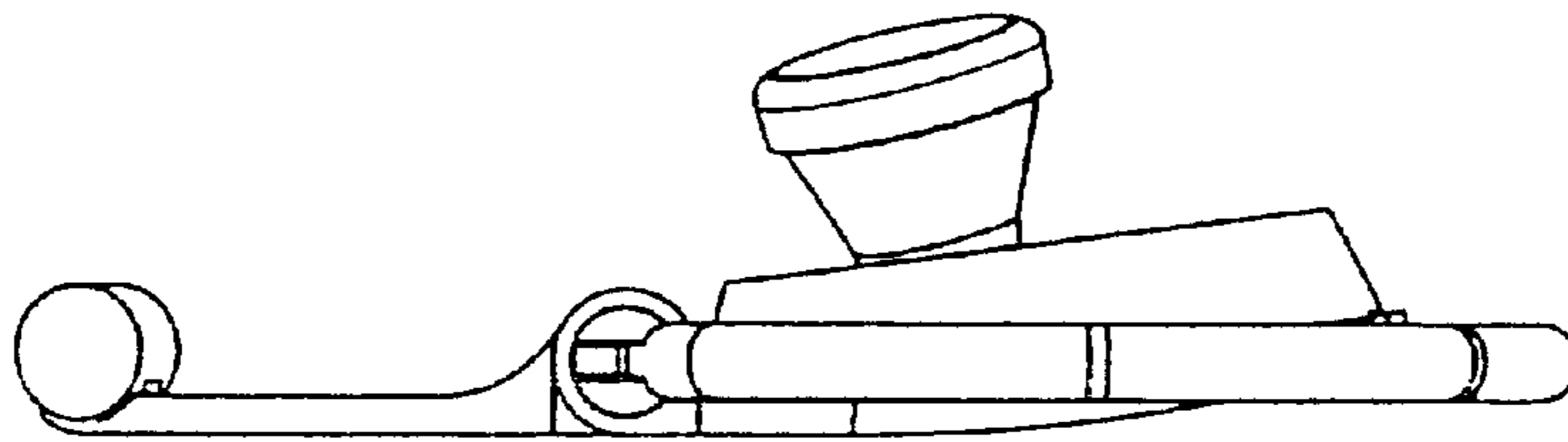


FIG. 7

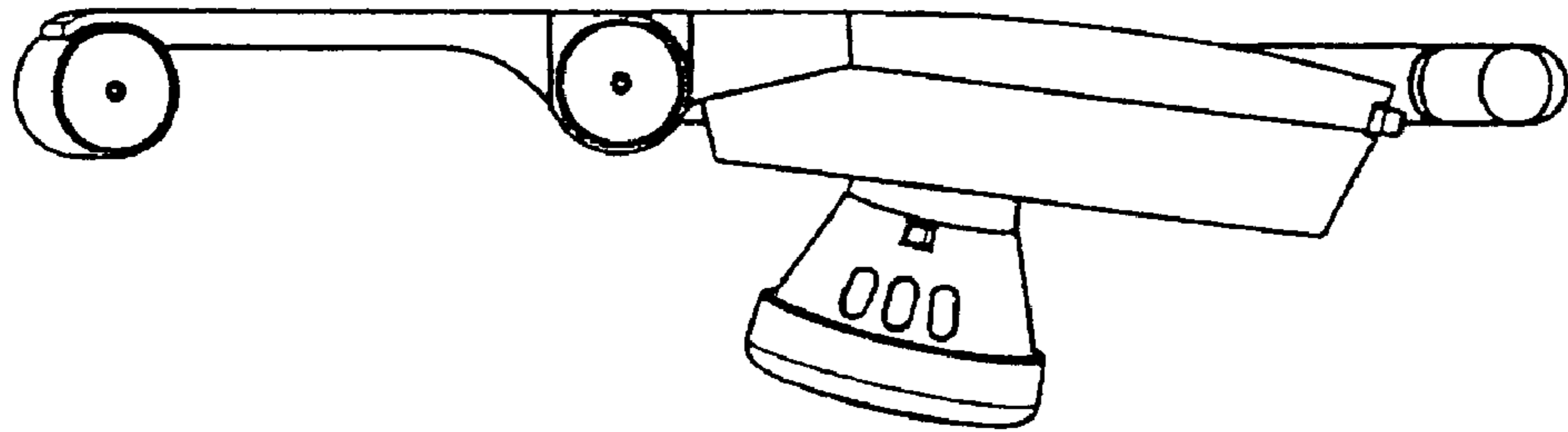


FIG. 8

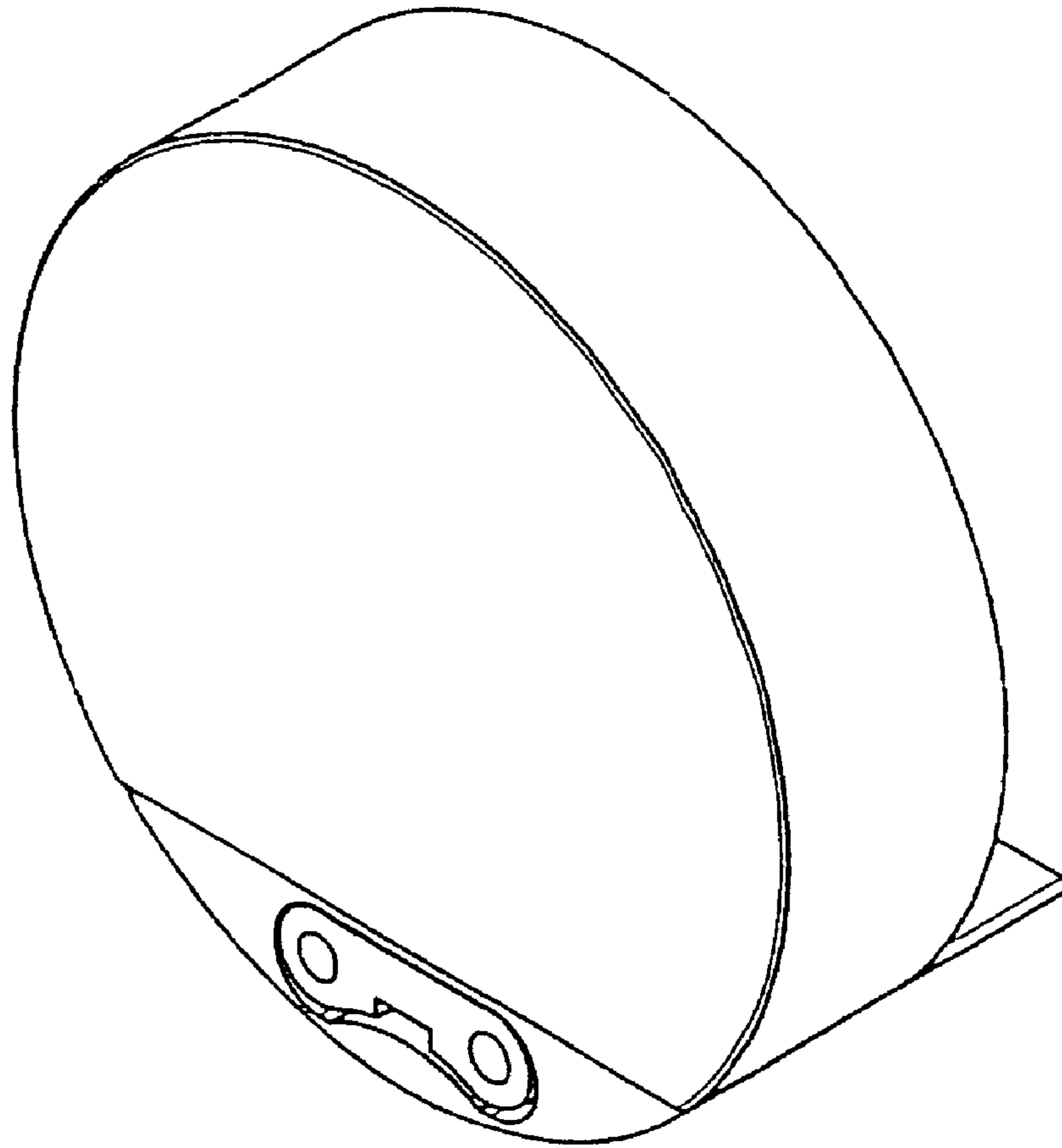


FIG. 9

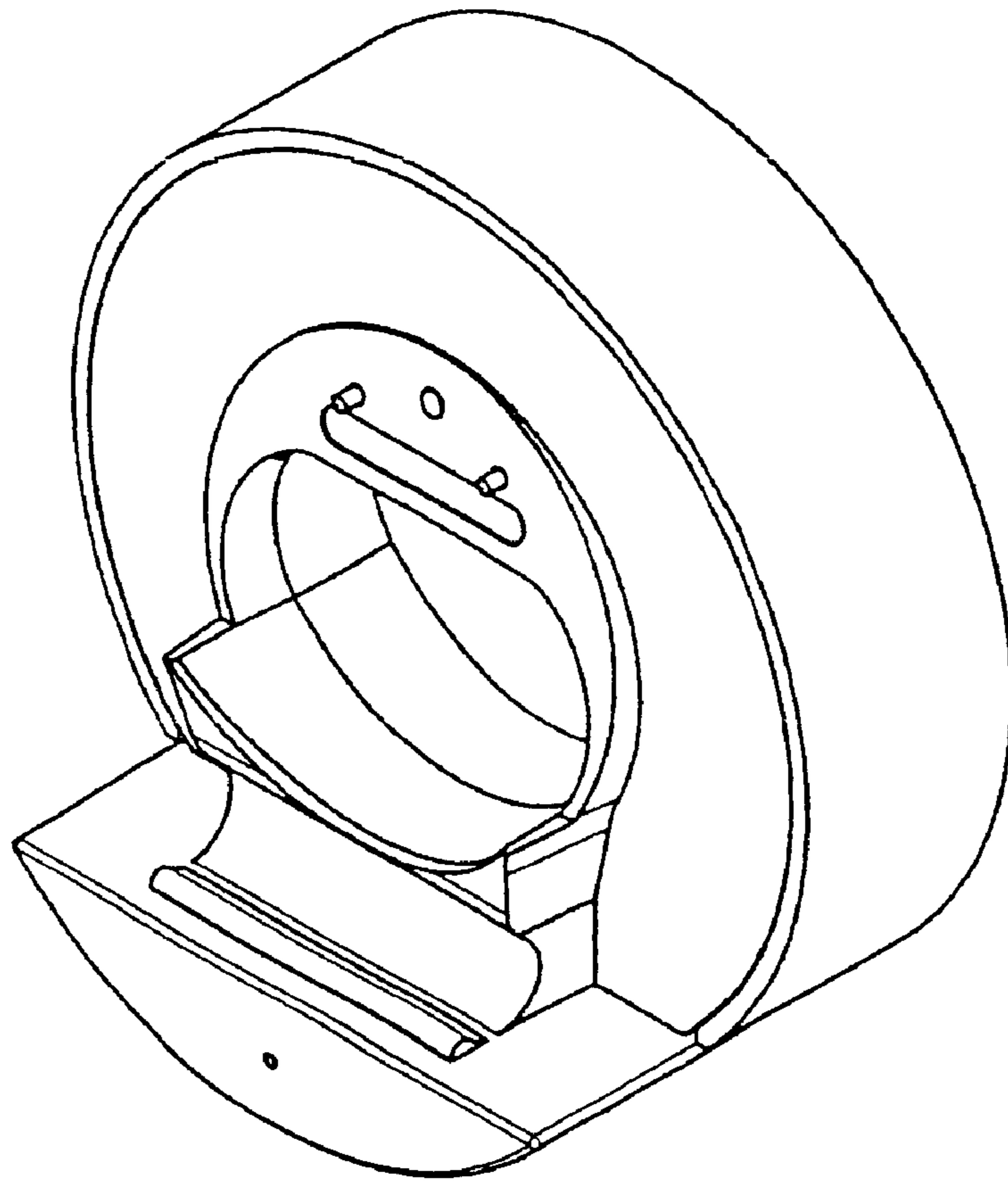


FIG. 10

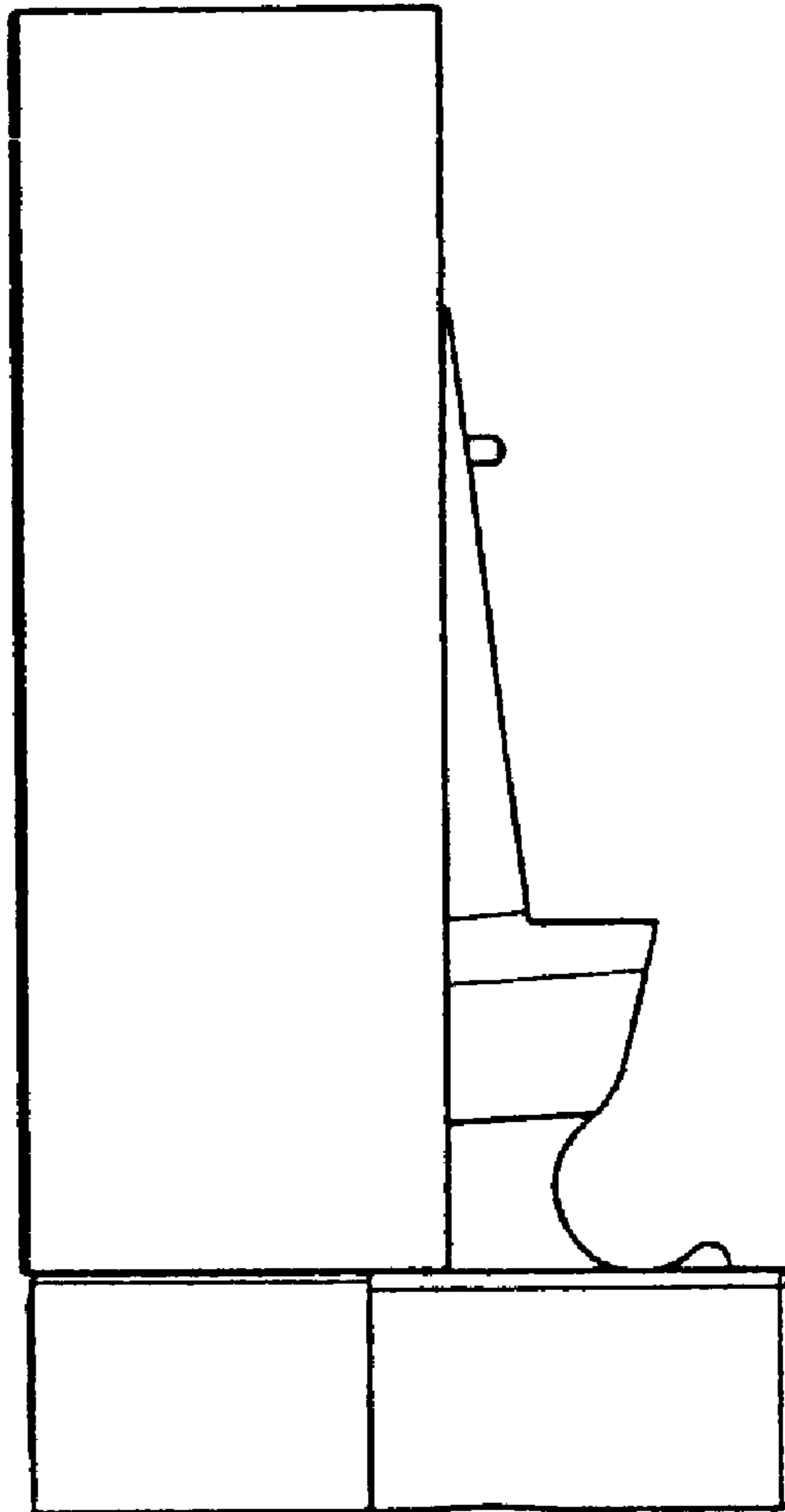


FIG. 11

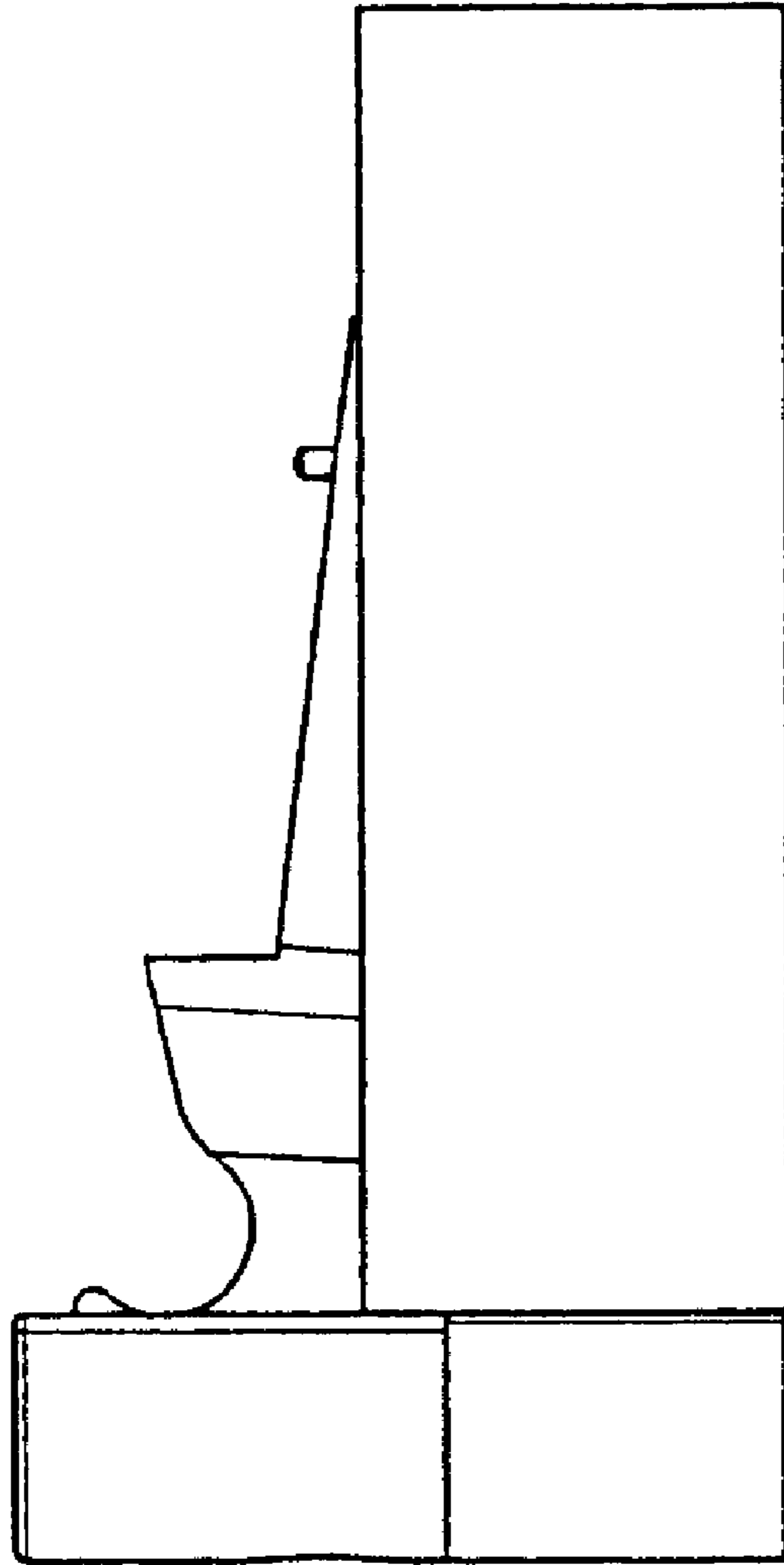


FIG. 12

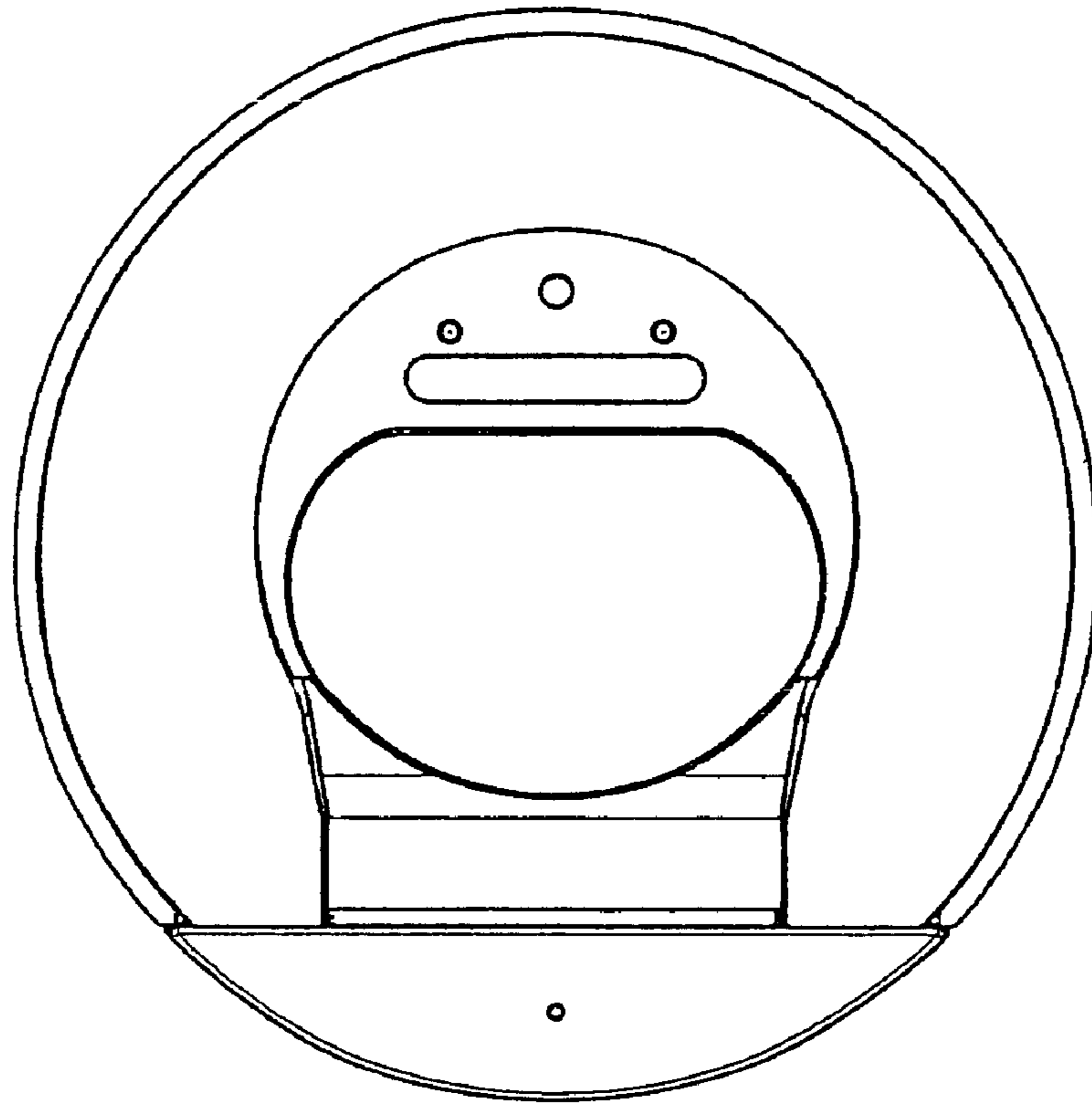


FIG. 13

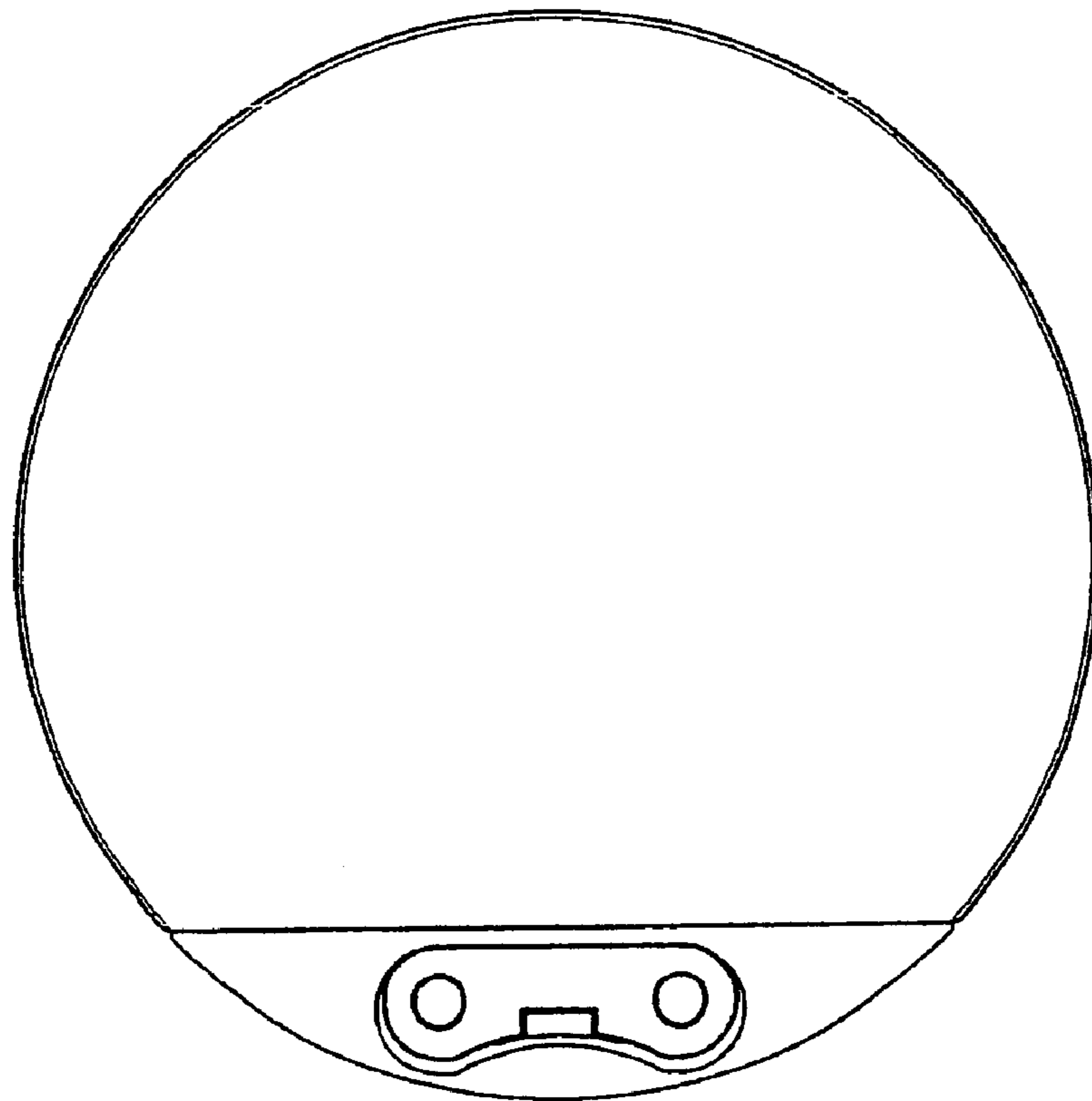


FIG. 14

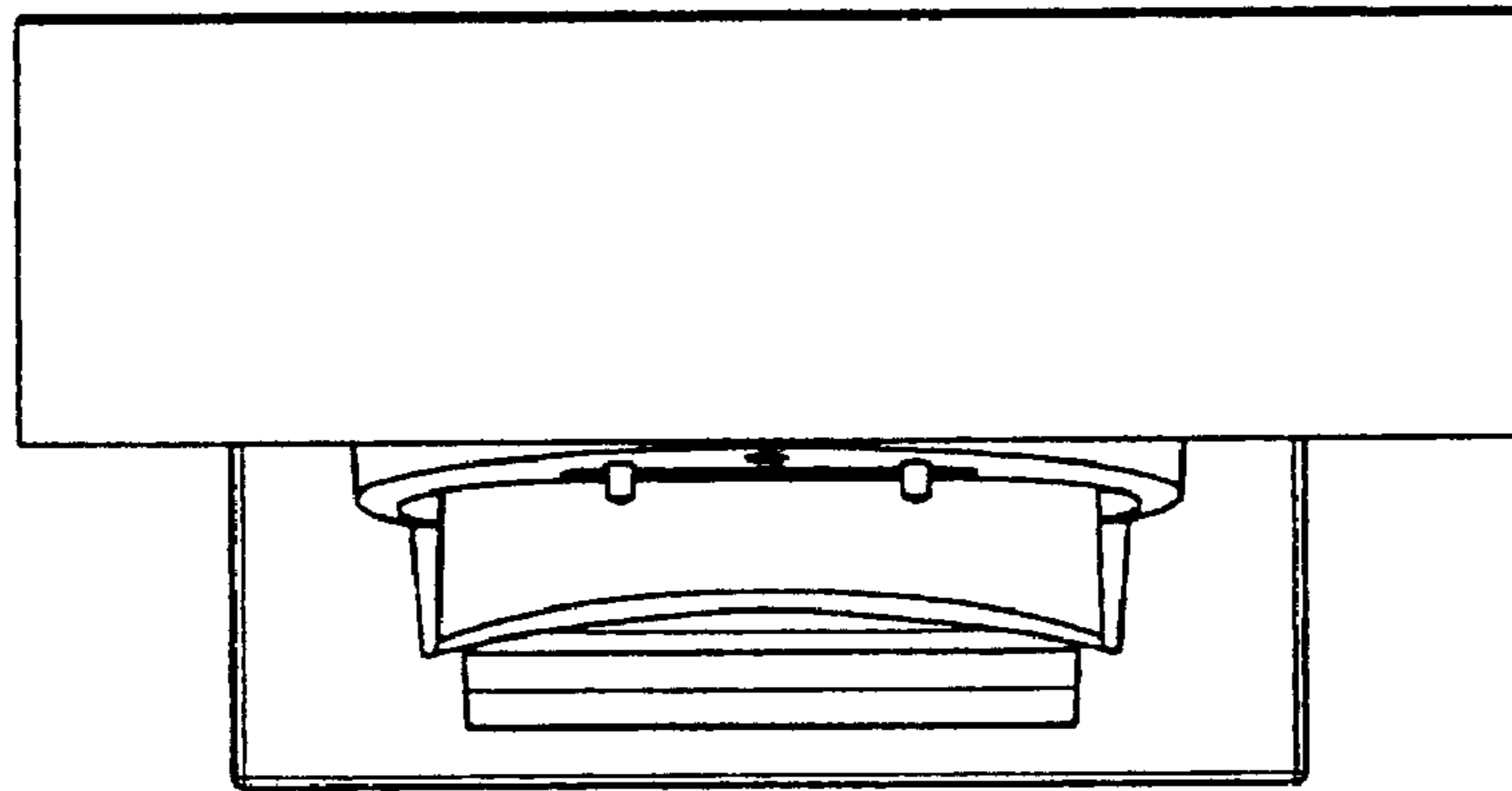


FIG. 15

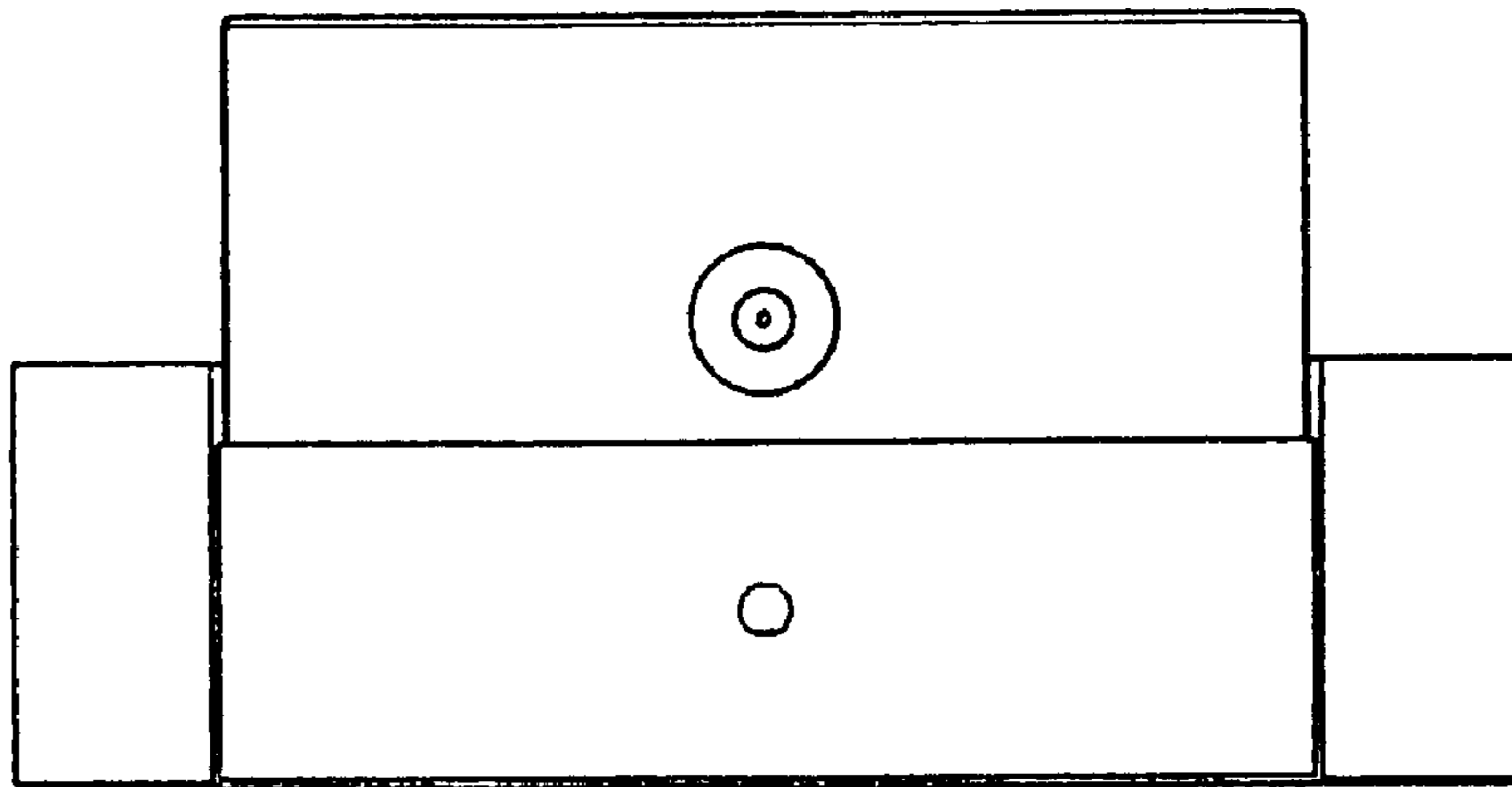


FIG. 16

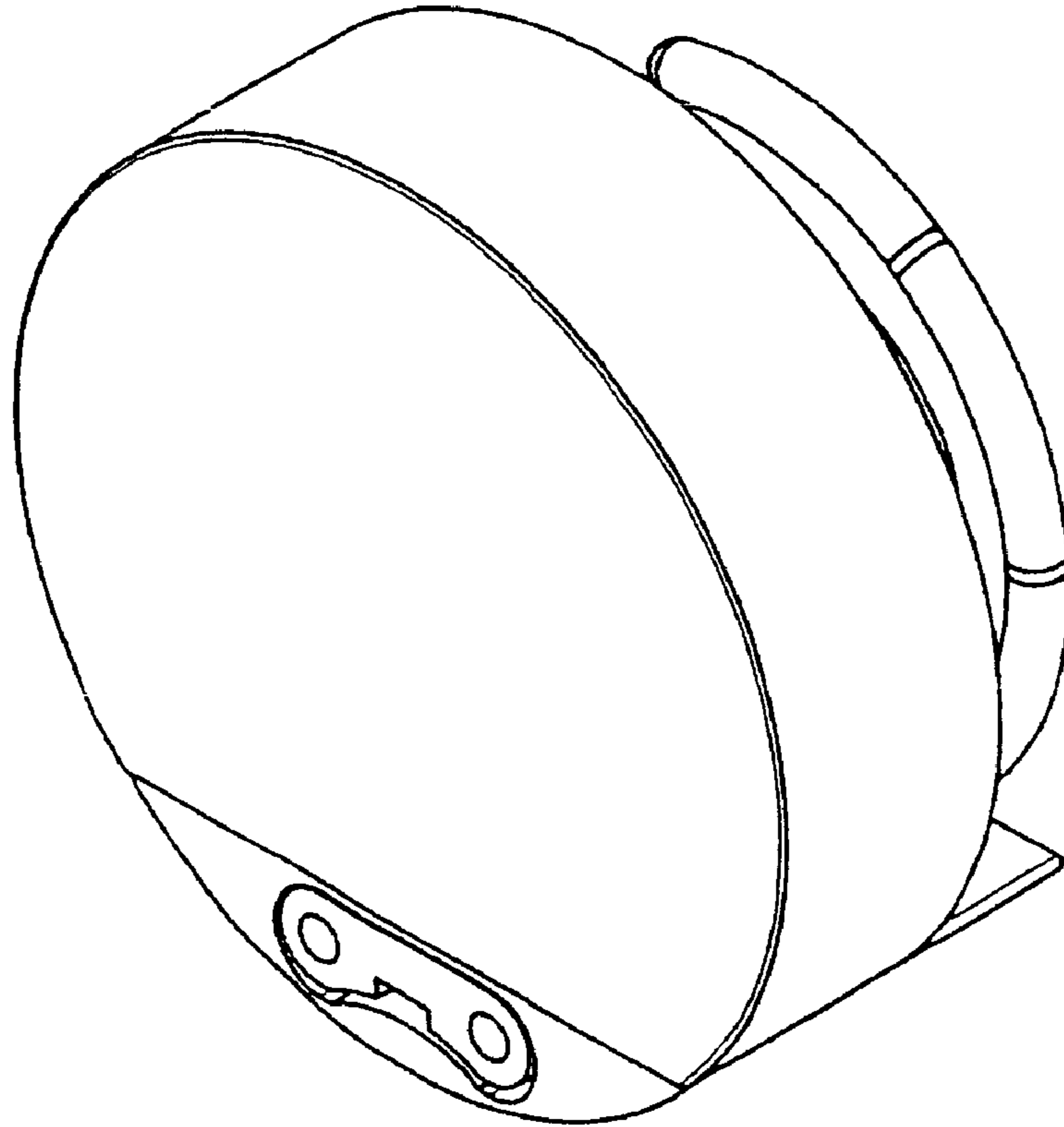


FIG. 17

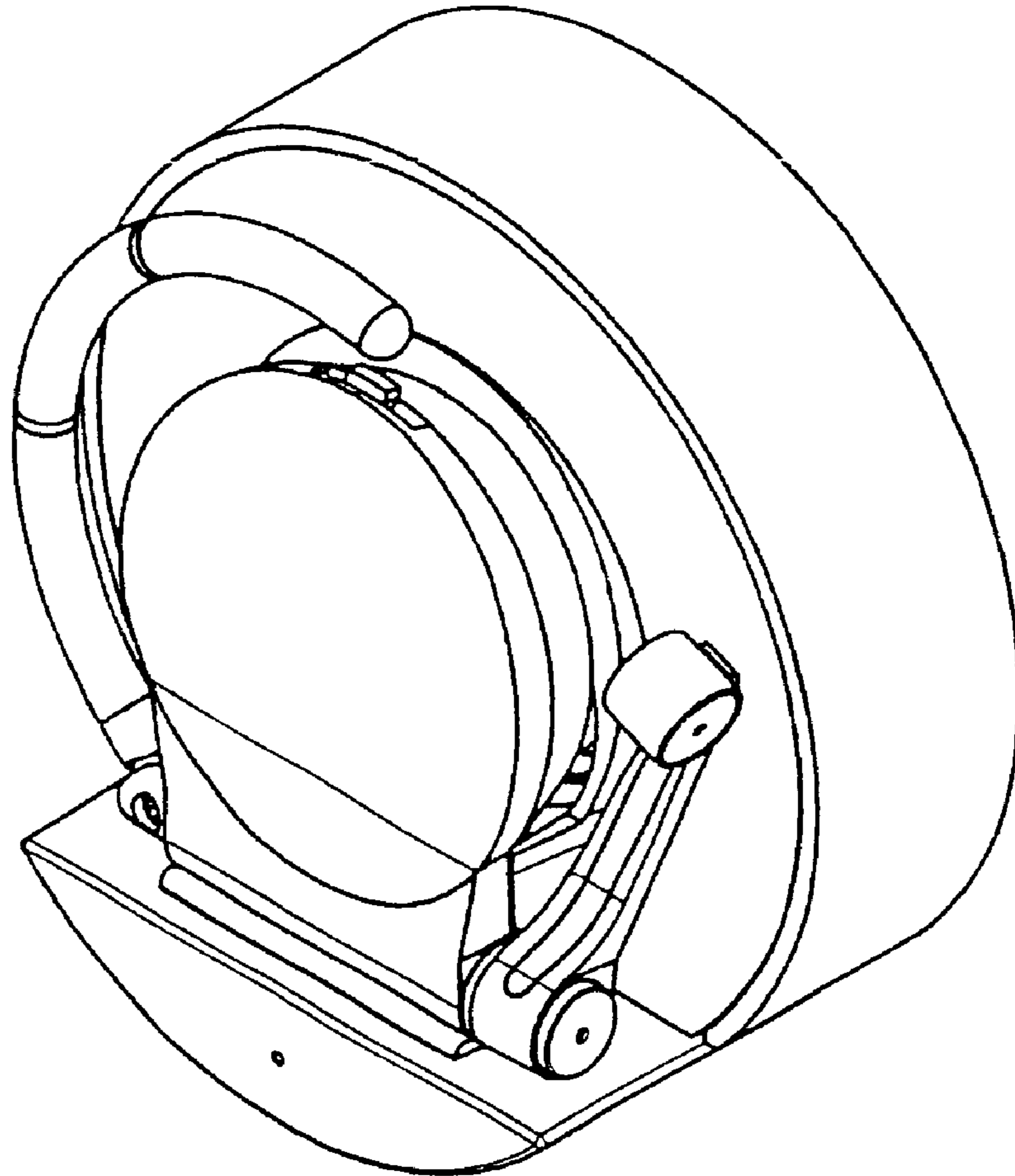


FIG. 18

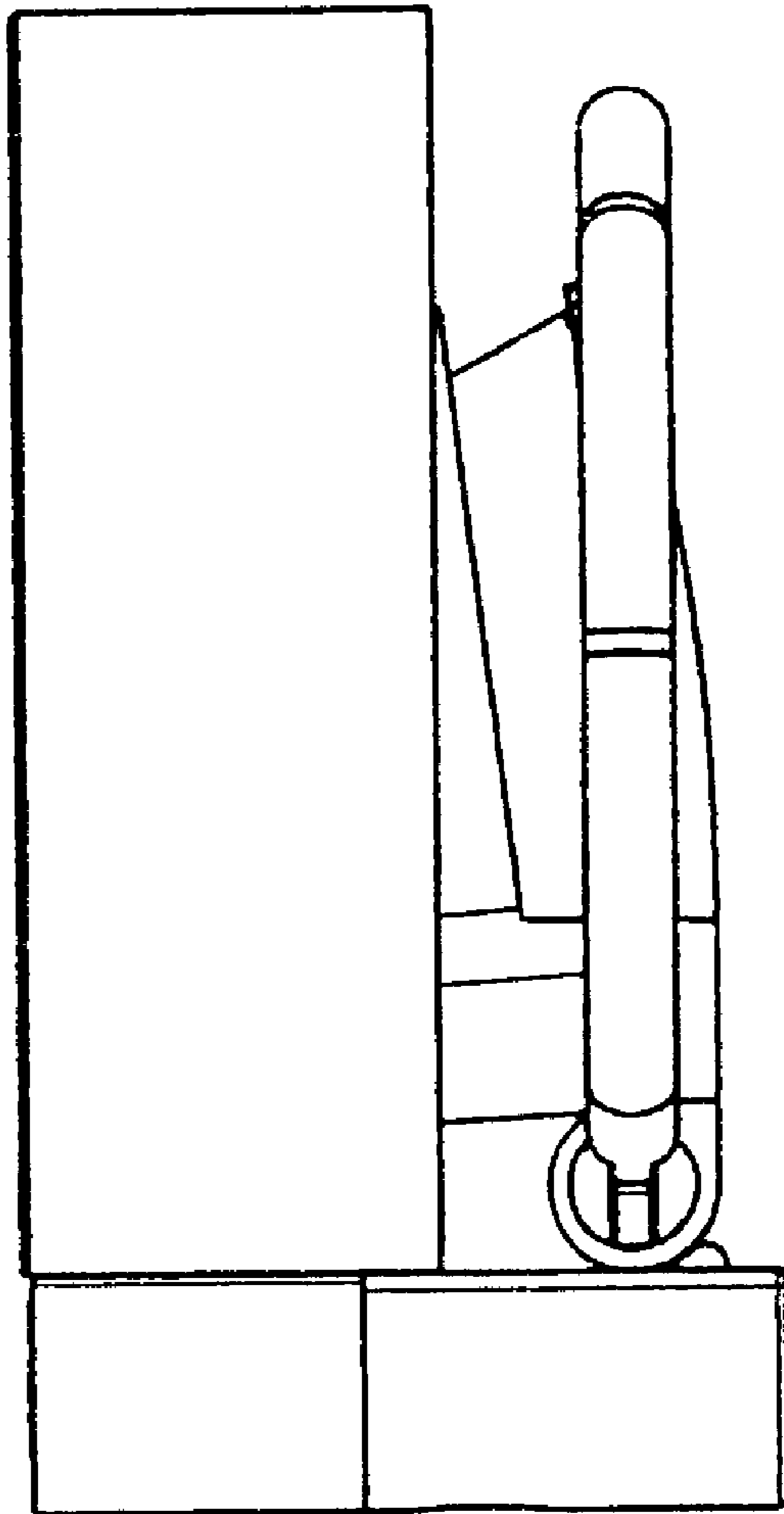


FIG. 19

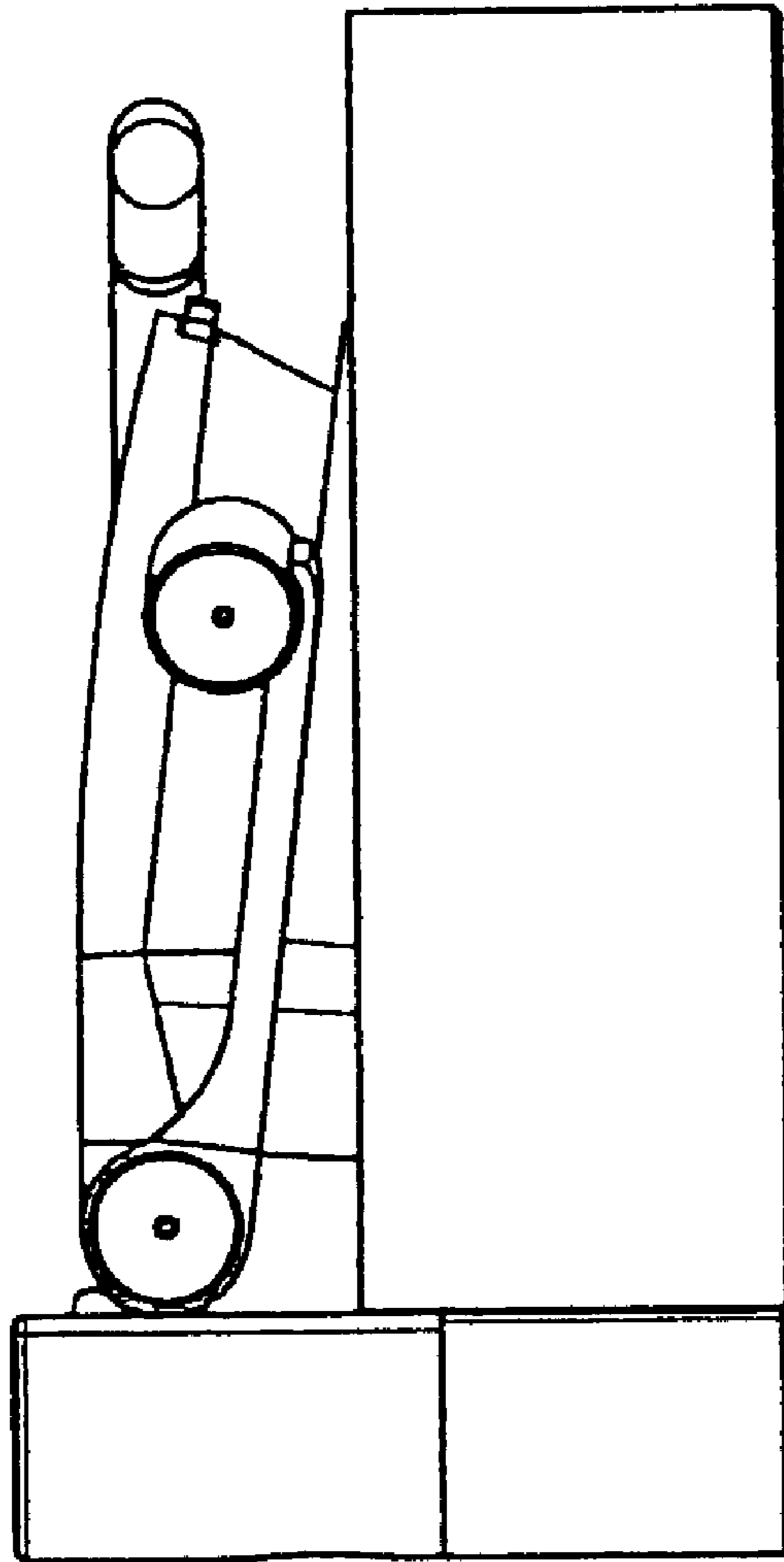


FIG. 20

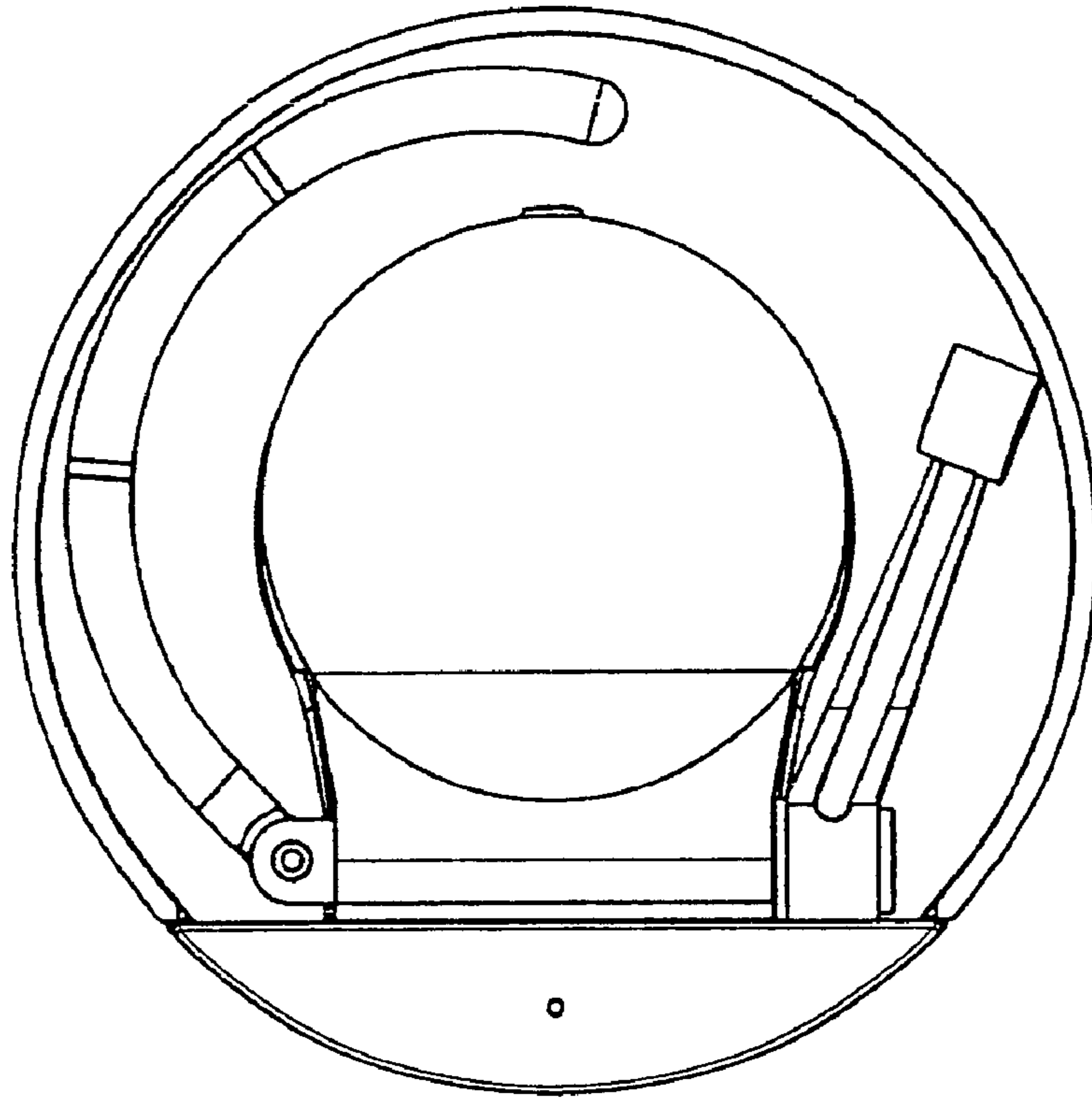


FIG. 21

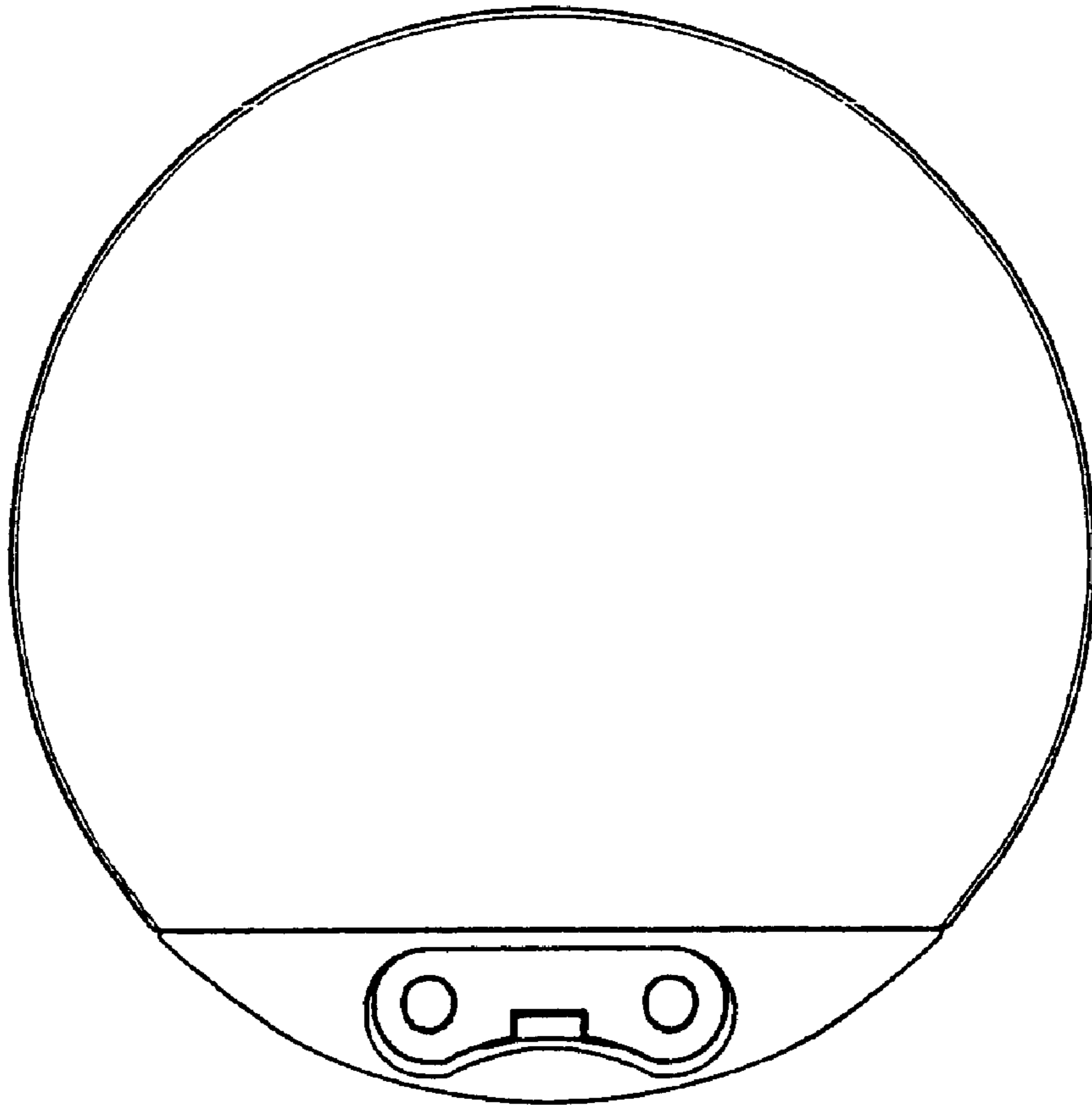


FIG. 22

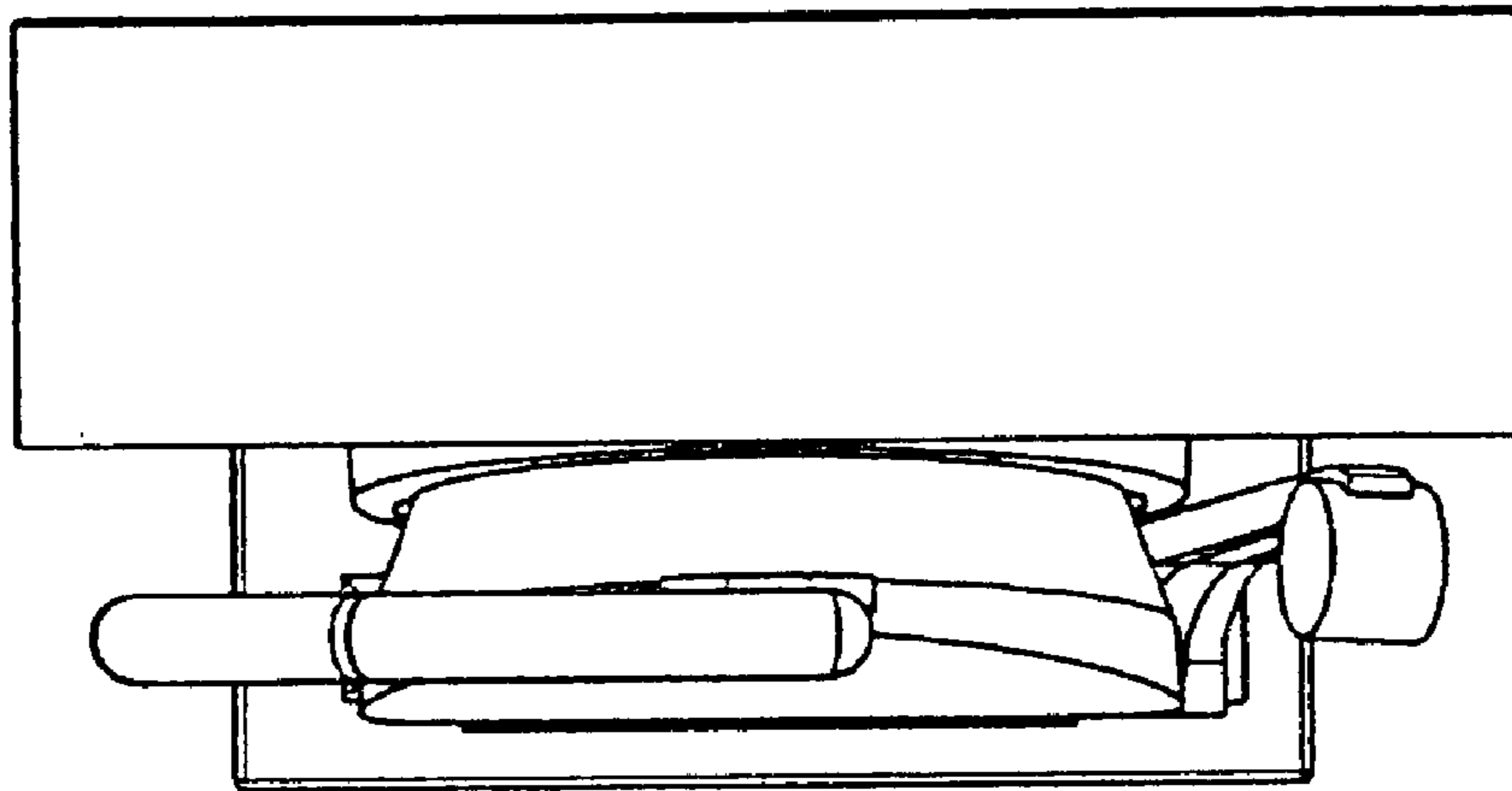


FIG. 23

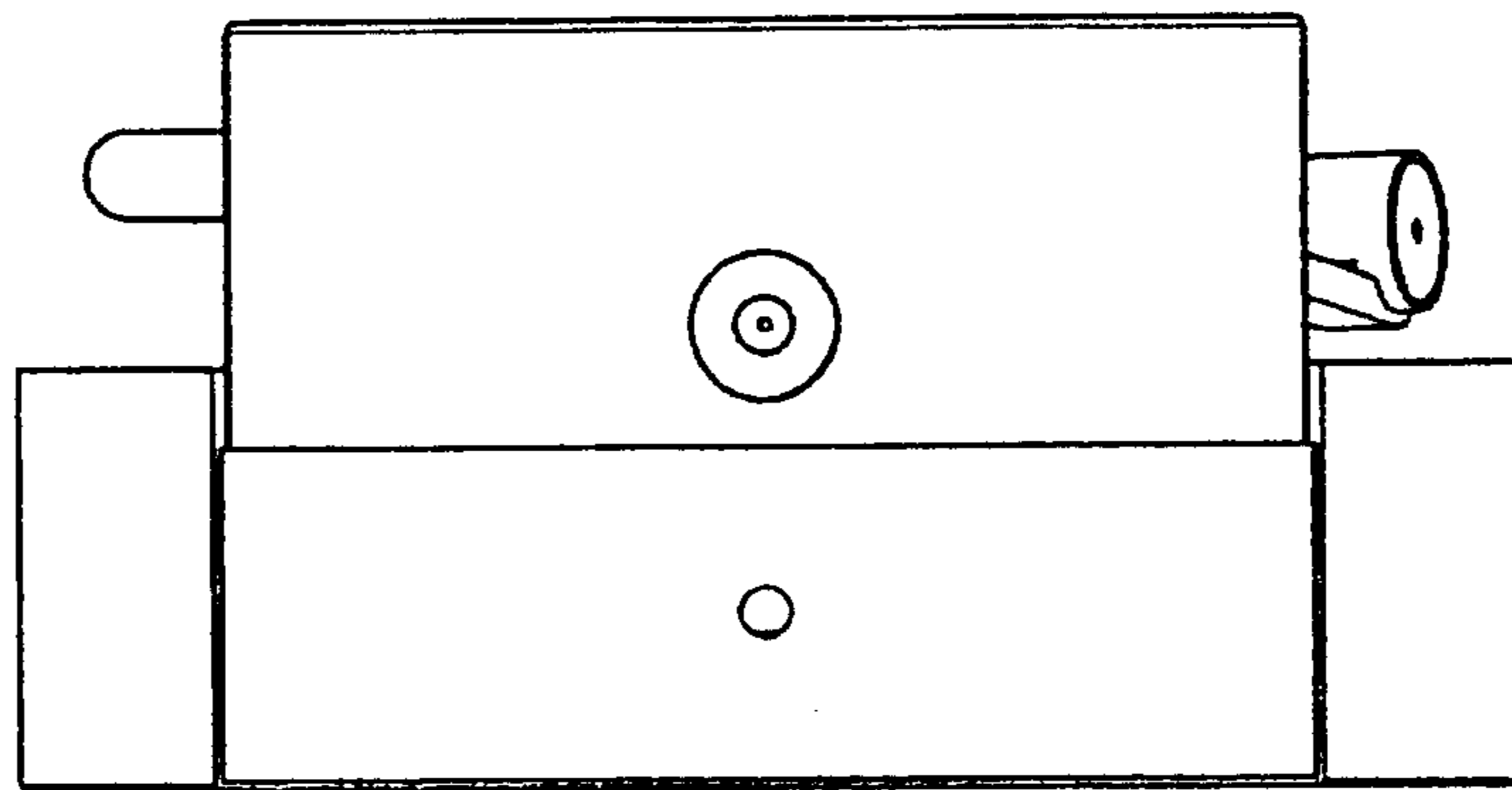


FIG. 24