



US00D537437S

(12) **United States Design Patent**
Yoon

(10) **Patent No.:** **US D537,437 S**

(45) **Date of Patent:** **** Feb. 27, 2007**

(54) **SUBWOOFER SPEAKER FOR HOME THEATER SYSTEM**

(75) Inventor: **Ki-Hyun Yoon**, Utrecht (NL)

(73) Assignee: **Koninklijke Philips Electronics N.V.**, Eindhoven (NL)

(**) Term: **14 Years**

(21) Appl. No.: **29/242,176**

(22) Filed: **Nov. 7, 2005**

(30) **Foreign Application Priority Data**

May 27, 2005 (EM) 000346507-0002

(51) **LOC (8) Cl.** **14-01**

(52) **U.S. Cl.** **D14/215; D14/214**

(58) **Field of Classification Search** D14/204,
D14/207, 209-216, 356; 181/143-144, 147-148,
181/150, 157, 198-199, 151, 153; 381/300-302,
381/306, 333, 345, 361-364, 386-388, 332,
381/336

See application file for complete search history.

(56) **References Cited**

U.S. PATENT DOCUMENTS

D417,217 S * 11/1999 Heath D14/215
D435,539 S * 12/2000 Tsuge D14/214
D509,212 S * 9/2005 Hioki D14/214

* cited by examiner

Primary Examiner—Nanda Bondade

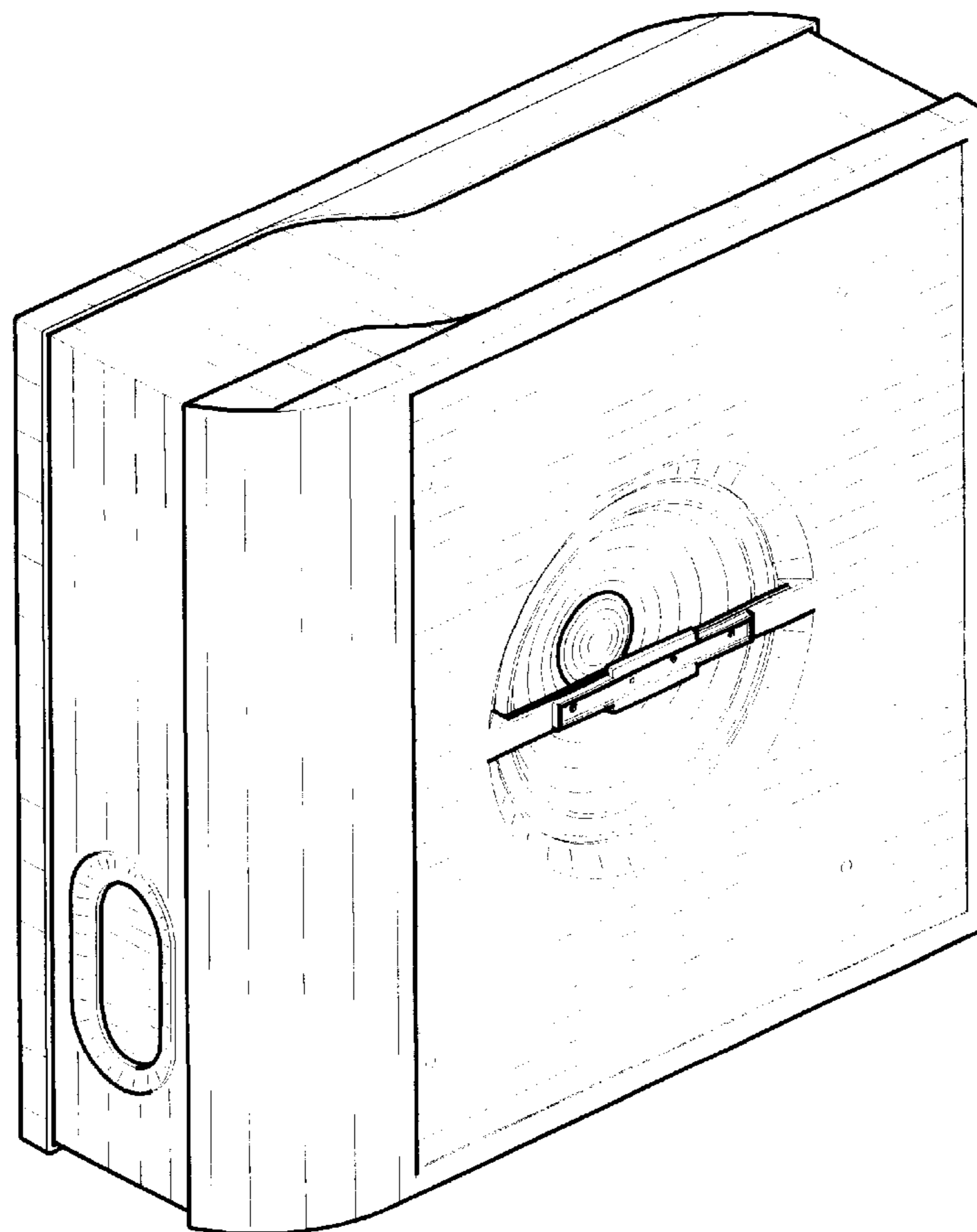
(57) **CLAIM**

The ornamental design for a subwoofer speaker for home theater system, as shown.

DESCRIPTION

FIG. 1 is a perspective view of a subwoofer speaker for home theater system showing my new design; FIG. 2 is a front elevational view thereof; FIG. 3 is a rear elevational view thereof; FIG. 4 is a right side elevational view thereof; FIG. 5 is a left side elevational view thereof; FIG. 6 is a top plan view thereof; and, FIG. 7 is a bottom plan view thereof.

1 Claim, 5 Drawing Sheets



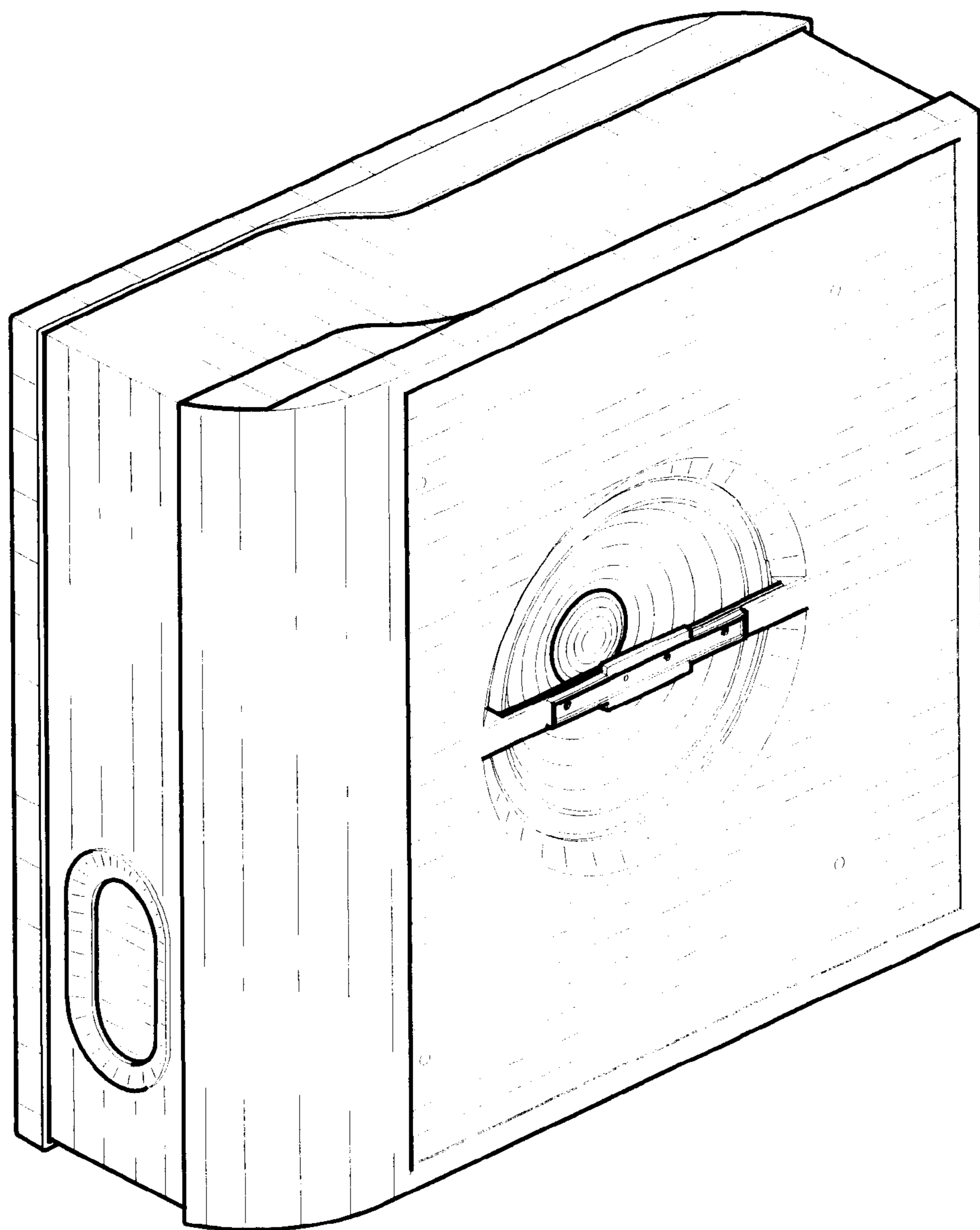


FIG. 1

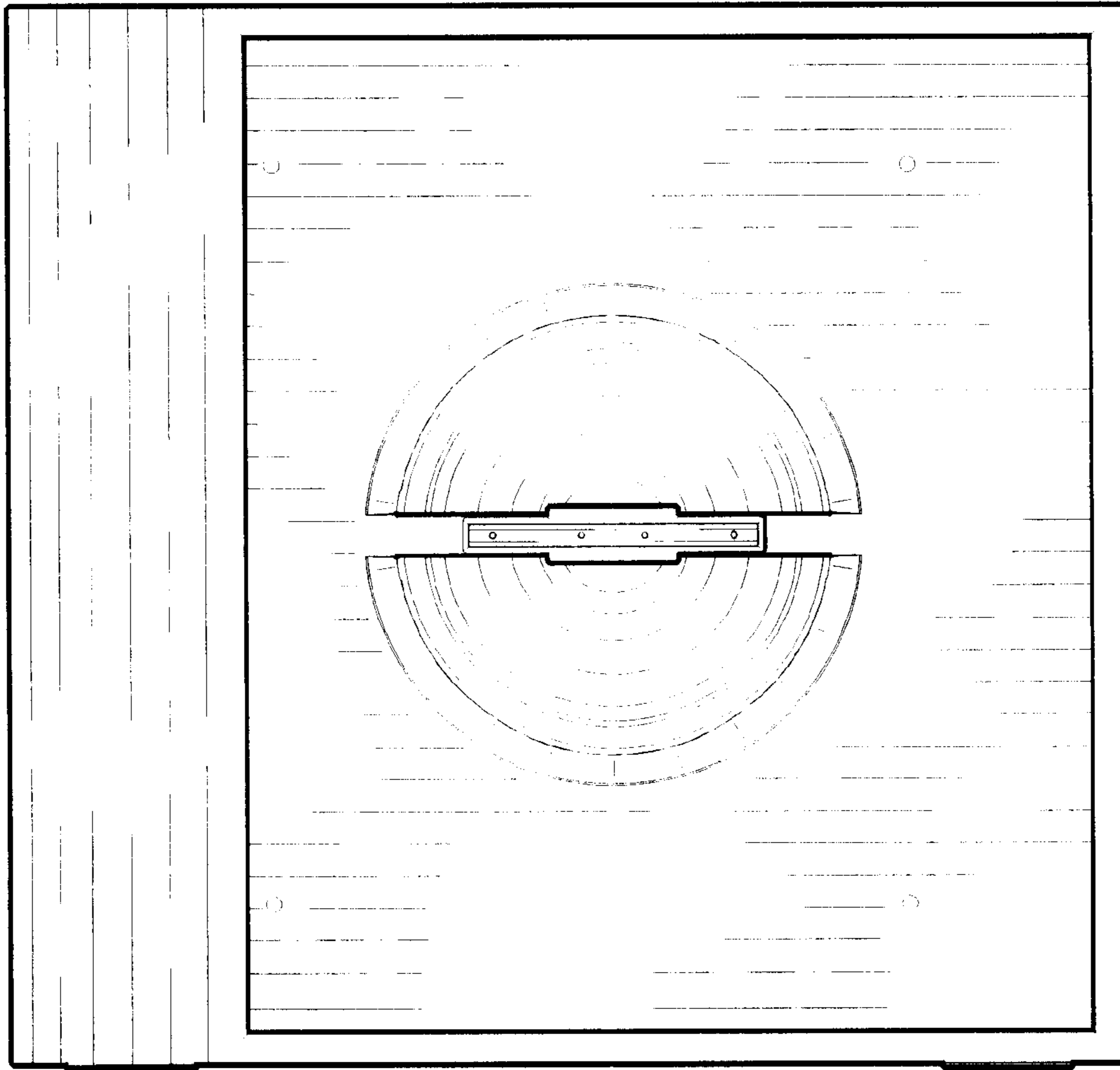


FIG. 2

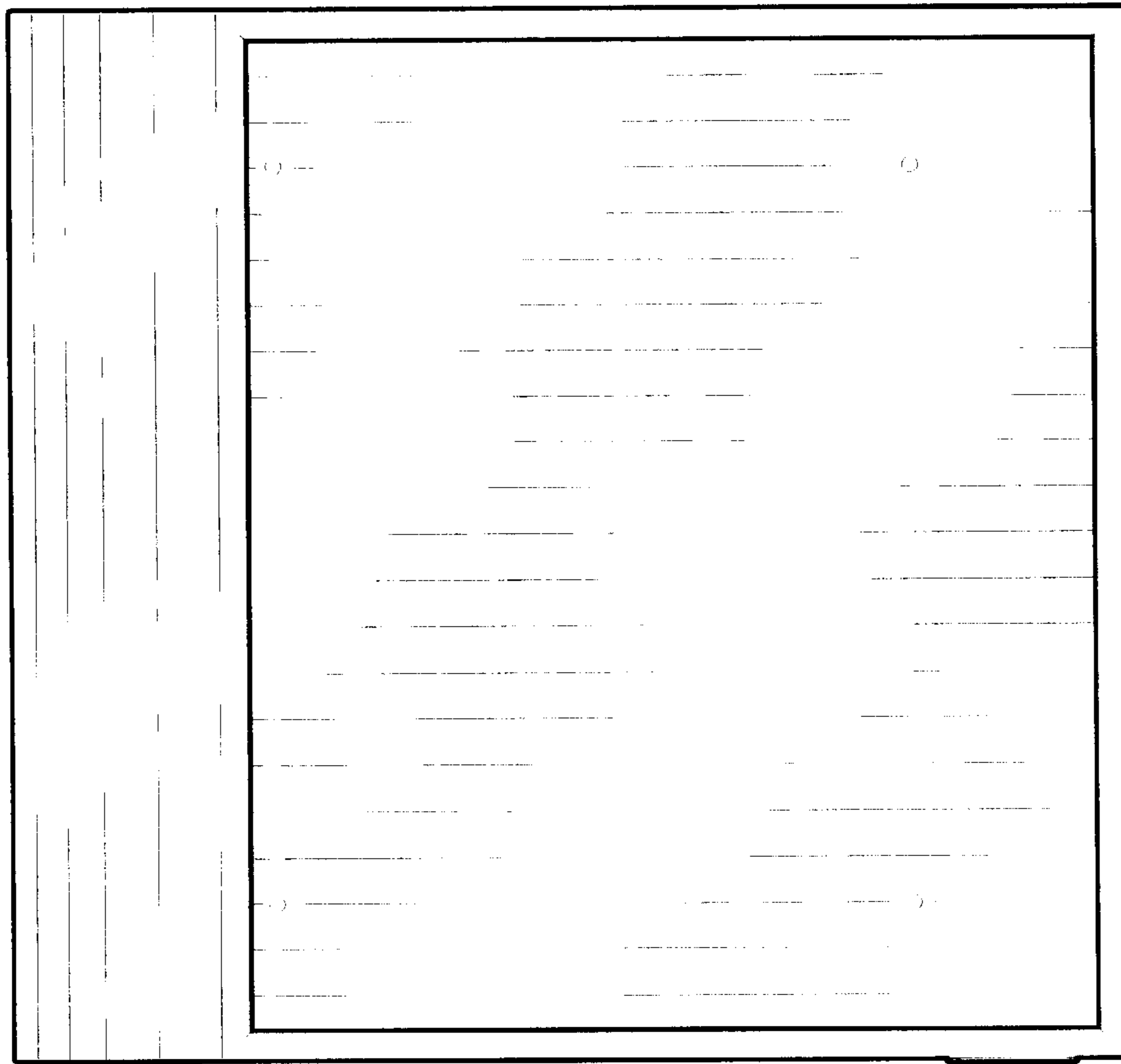


FIG. 3

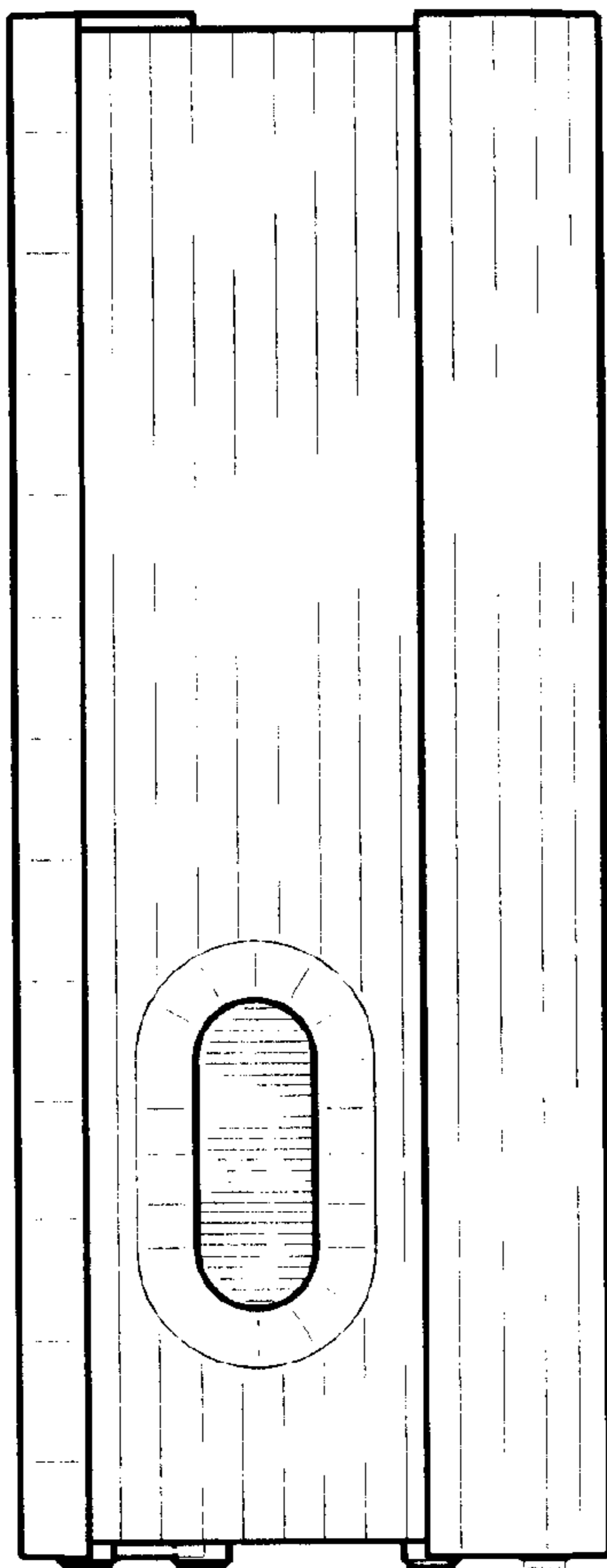


FIG. 4

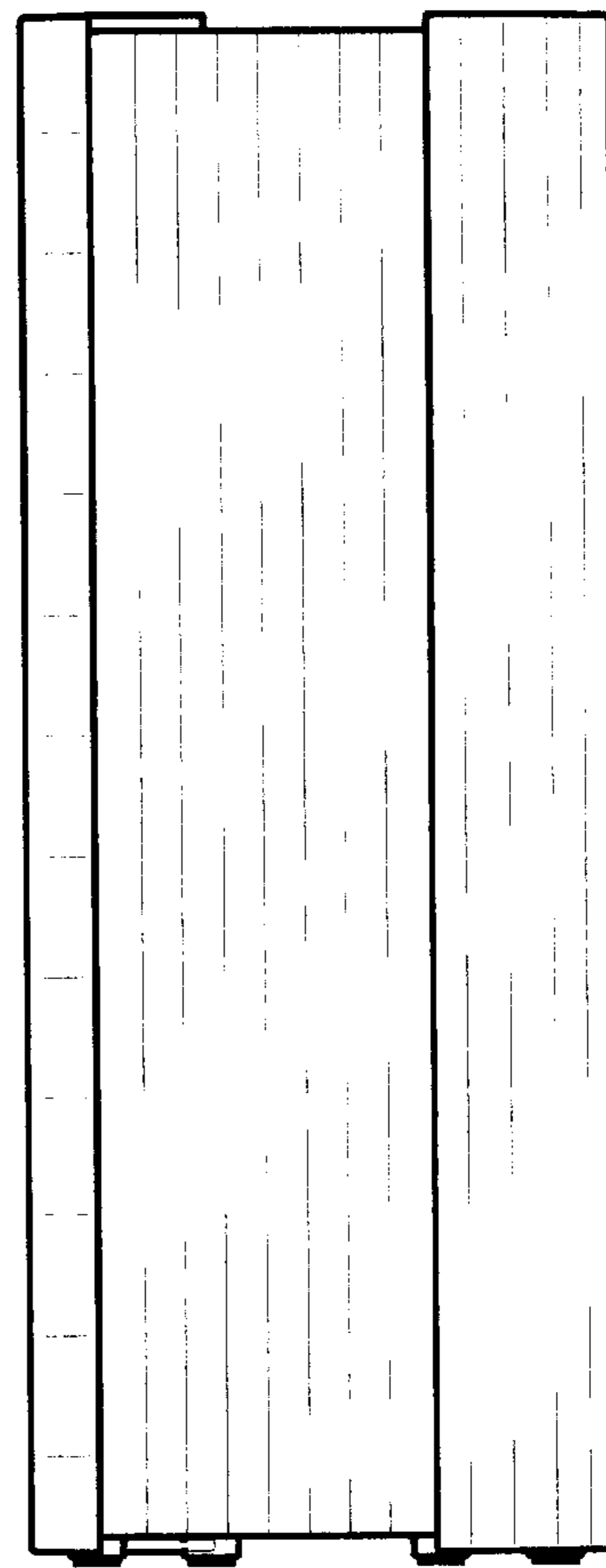


FIG. 5

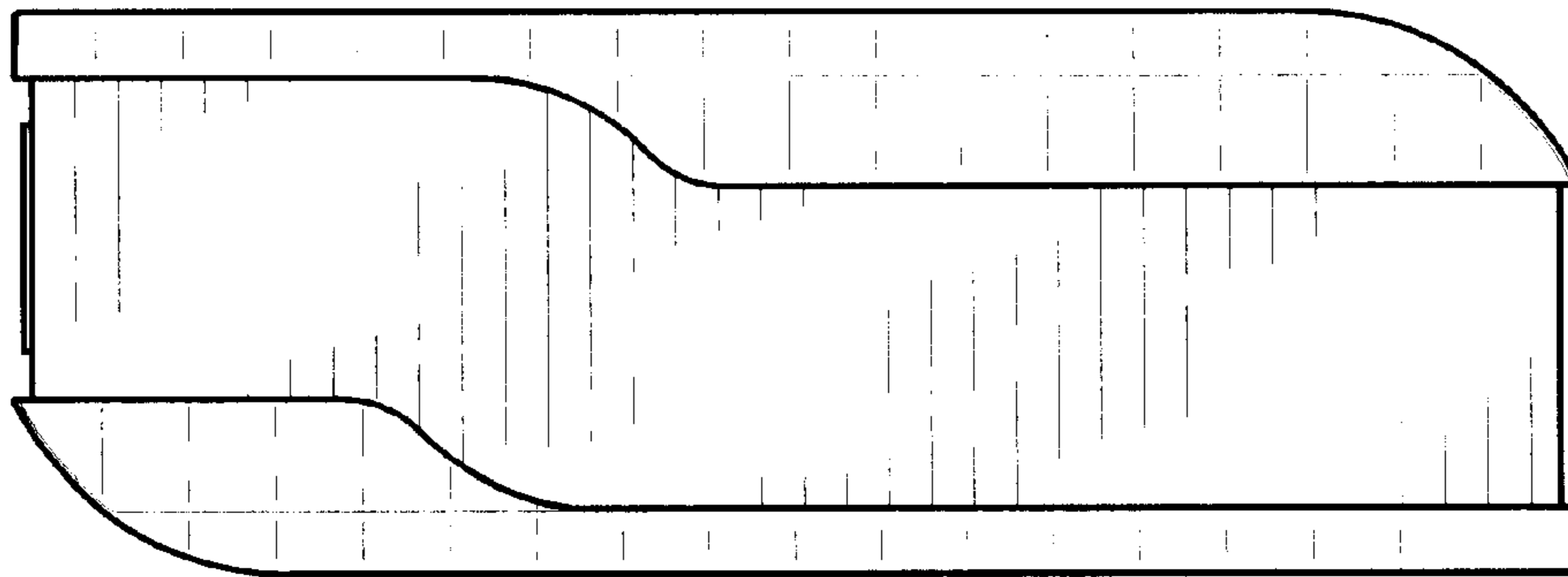


FIG. 6

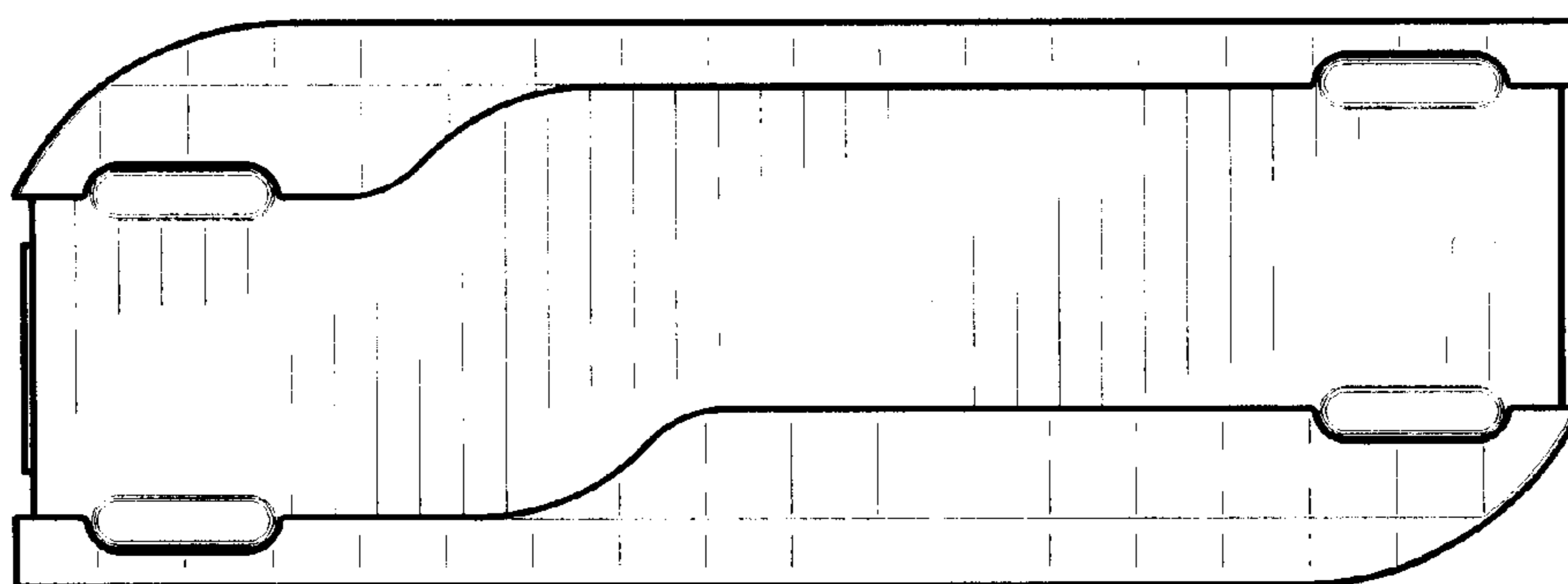


FIG. 7