



US00D537434S

(12) **United States Design Patent**
Takahashi et al.

(10) **Patent No.:** **US D537,434 S**

(45) **Date of Patent:** **** Feb. 27, 2007**

(54) **COMBINED RADIO TUNER AND AMPLIFIER**

(75) Inventors: **Yoichi Takahashi**, Kyoto (JP); **Yohei Tanaka**, Osaka (JP); **Shinji Makino**, Ikoma (JP)

(73) Assignee: **Matsushita Electric Industrial Co., Ltd.**, Osaka (JP)

(**) Term: **14 Years**

(21) Appl. No.: **29/227,989**

(22) Filed: **Apr. 18, 2005**

(30) **Foreign Application Priority Data**

Dec. 13, 2004 (JP) 2004-038057
Dec. 13, 2004 (JP) 2004-038058
Dec. 13, 2004 (JP) 2004-038059

(51) **LOC (8) Cl.** **14-03**

(52) **U.S. Cl.** **D14/188; D14/265**

(58) **Field of Classification Search** D14/188-198,
D14/156, 157, 168, 169, 265, 137; 455/344-351,
455/3.06; 370/464, 480, 493, 901, 916; 369/1-12;
381/119-121

See application file for complete search history.

(56) **References Cited**

U.S. PATENT DOCUMENTS

4,673,994 A 6/1987 Hida
4,940,414 A * 7/1990 Lee 439/131
5,136,571 A 8/1992 Nakajima
5,220,552 A 6/1993 Yokoi et al.
5,459,702 A * 10/1995 Greenspan 369/25.01
5,517,478 A 5/1996 Park
D383,461 S * 9/1997 Ito et al. D14/188
5,859,828 A 1/1999 Ishibashi
5,862,468 A * 1/1999 Kim 455/321
6,028,945 A * 2/2000 Gayle 381/120
D428,872 S * 8/2000 Kizawa D14/188

D436,942 S * 1/2001 Ito et al. D14/168
D444,138 S * 6/2001 Ito et al. D14/168
D444,778 S * 7/2001 Ito et al. D14/168
D451,083 S * 11/2001 Ito et al. D14/188
D469,428 S 1/2003 Senda et al.
D491,154 S 6/2004 Asai et al.
D491,938 S 6/2004 Muto et al.
D494,172 S 8/2004 Asai
D502,696 S * 3/2005 Ishibashi D14/198
D506,457 S * 6/2005 Hisatsune D14/168
D516,055 S * 2/2006 Chen et al. D14/188

* cited by examiner

Primary Examiner—Prabhakar Deshmukh

(74) *Attorney, Agent, or Firm*—Brinks Hofer Gilson & Lione

(57) **CLAIM**

We claim the ornamental design for a combined radio tuner and amplifier, as shown and described.

DESCRIPTION

FIG. 1 is a top perspective view of a first embodiment of a combined radio tuner and amplifier of the present invention; FIG. 2 is a front view thereof; FIG. 3 is a first side view thereof; FIG. 4 is a second side view thereof; FIG. 5 is a top view thereof; FIG. 6 is a bottom view thereof; FIG. 7 is a rear view thereof; FIG. 8 is a top perspective view of a second embodiment of a combined radio tuner and amplifier of the present invention; FIG. 9 is a front view thereof; FIG. 10 is a first side view thereof; FIG. 11 is a second side view thereof; FIG. 12 is a top view thereof; FIG. 13 is a bottom view thereof; and, FIG. 14 is a rear view thereof.

1 Claim, 6 Drawing Sheets

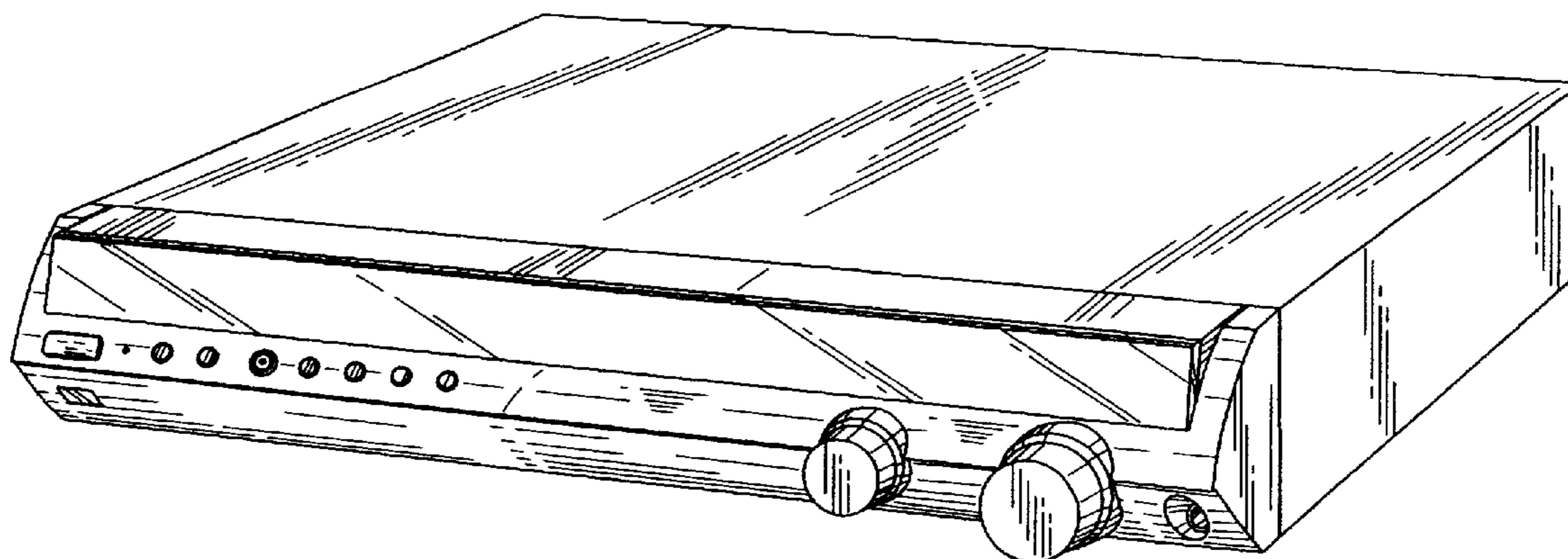


FIG. 1

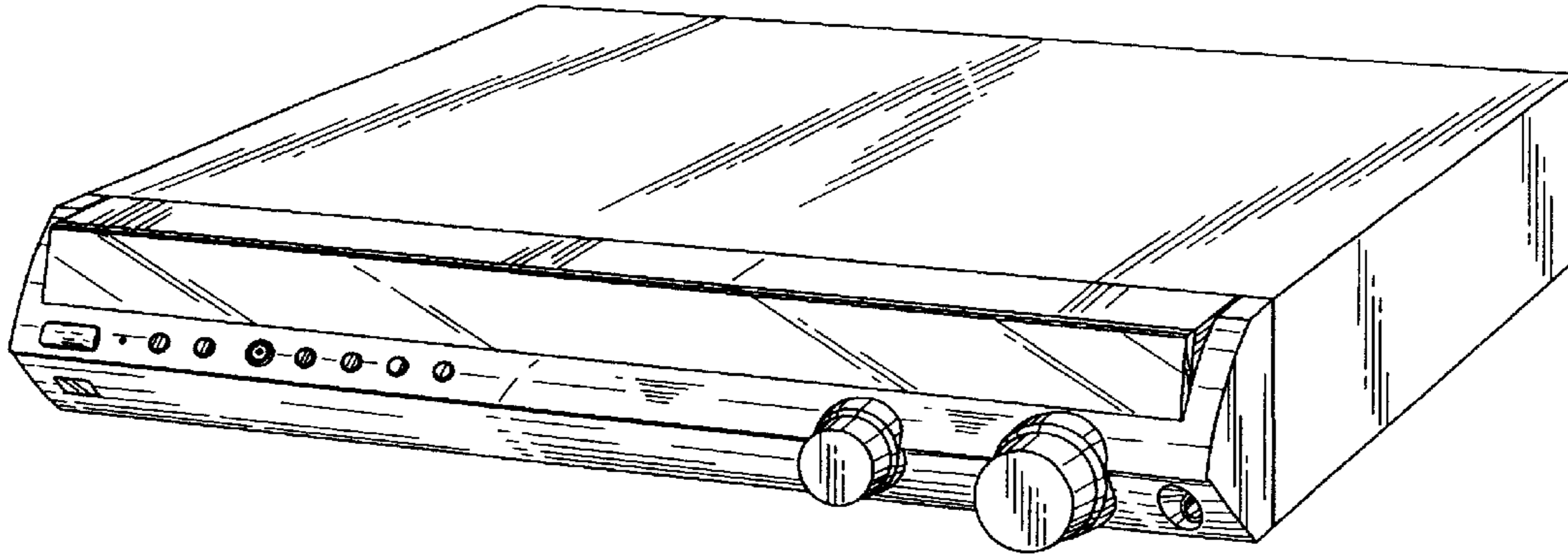


FIG. 2

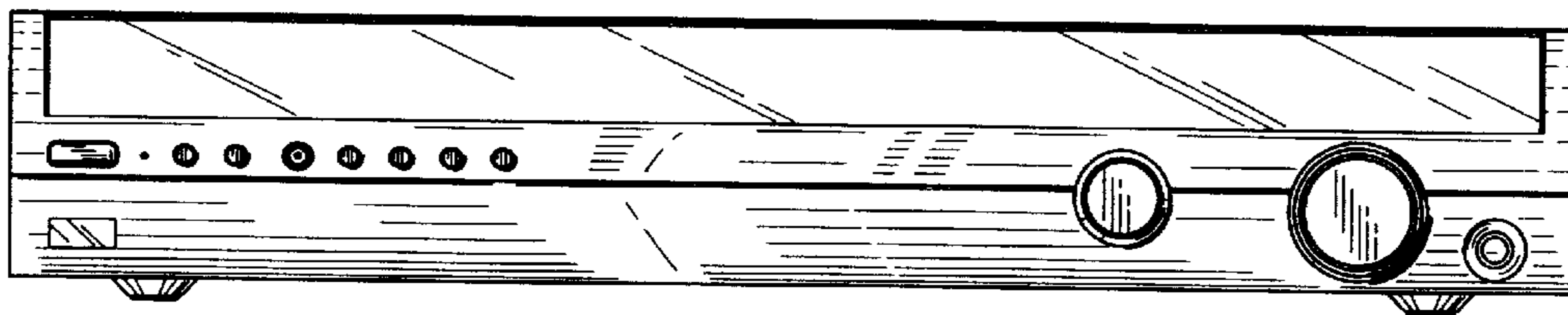


FIG. 3

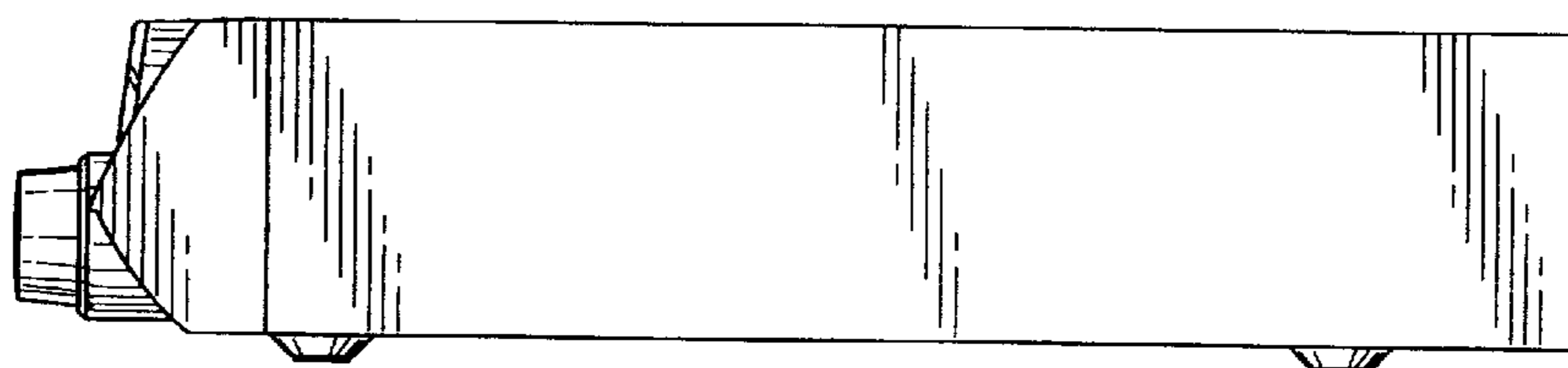


FIG. 4

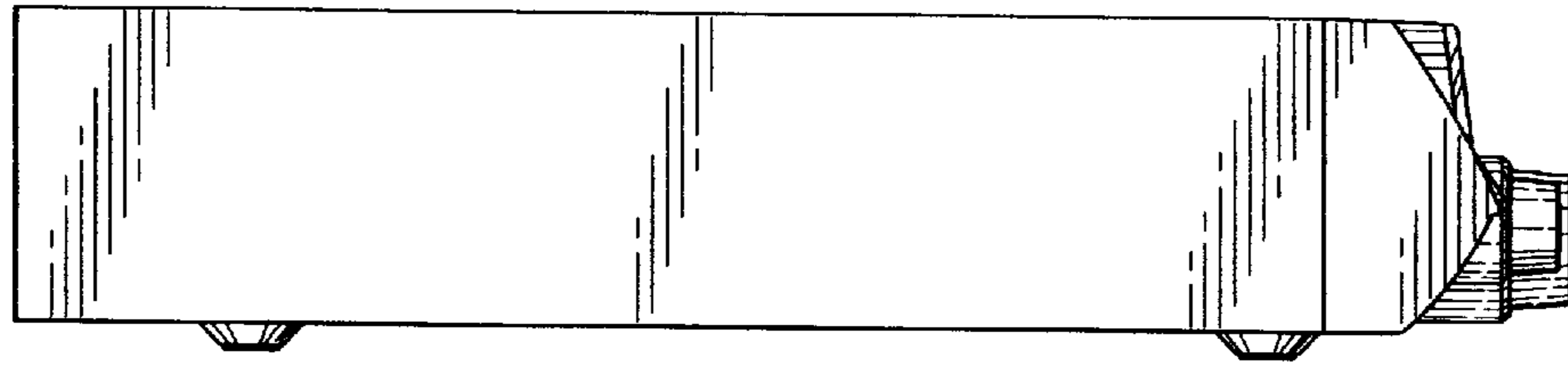


FIG. 5

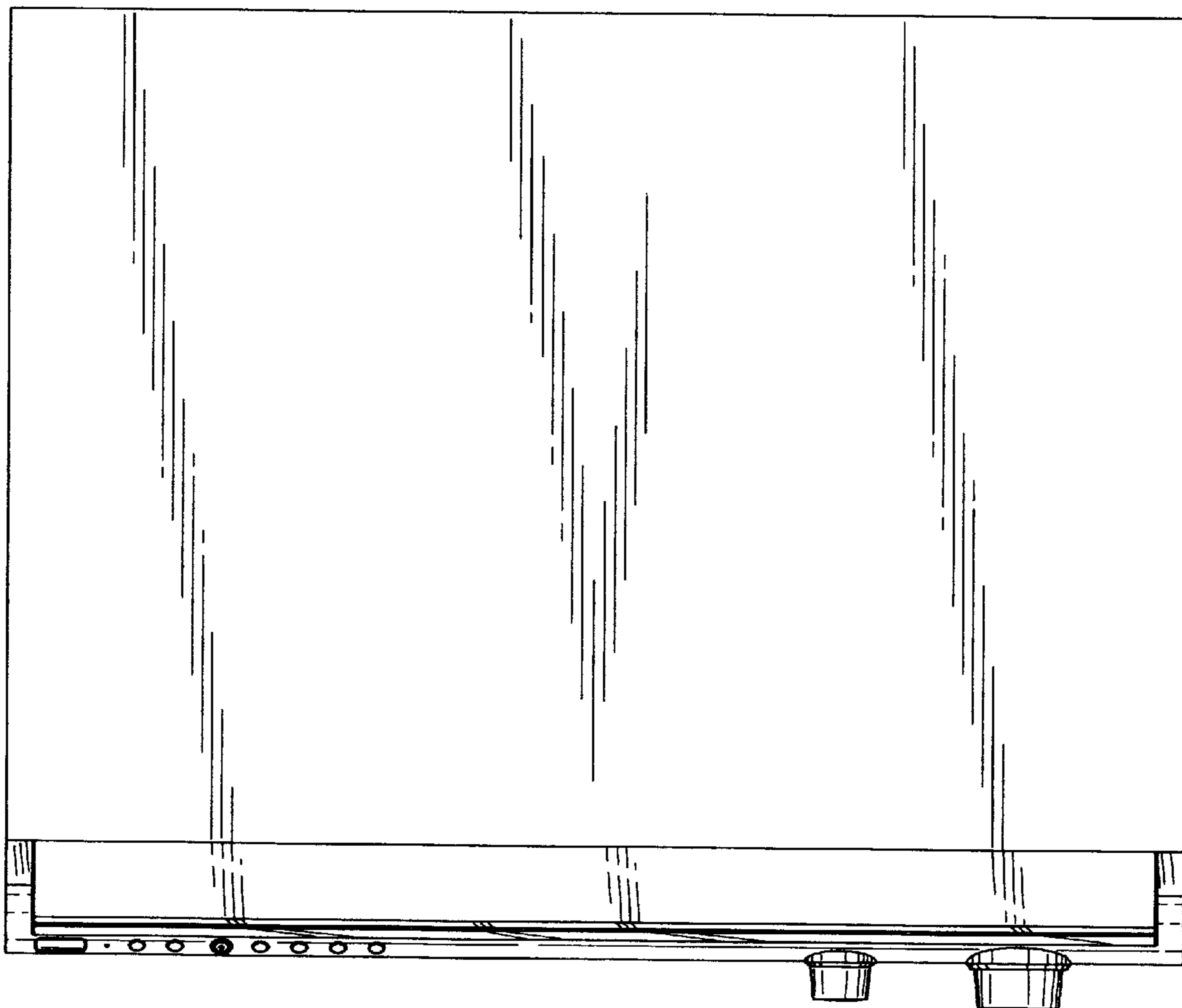


FIG. 6

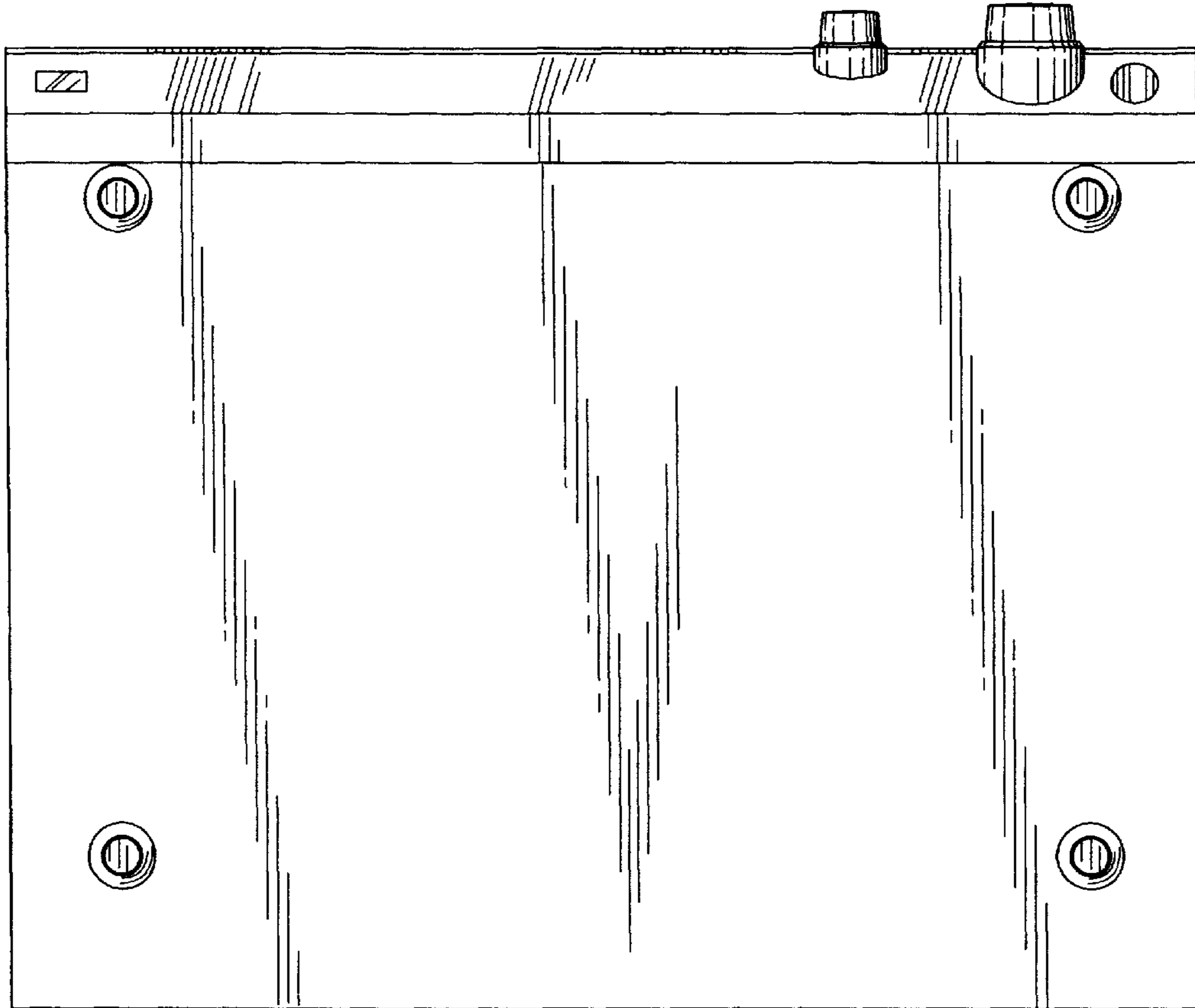


FIG. 7

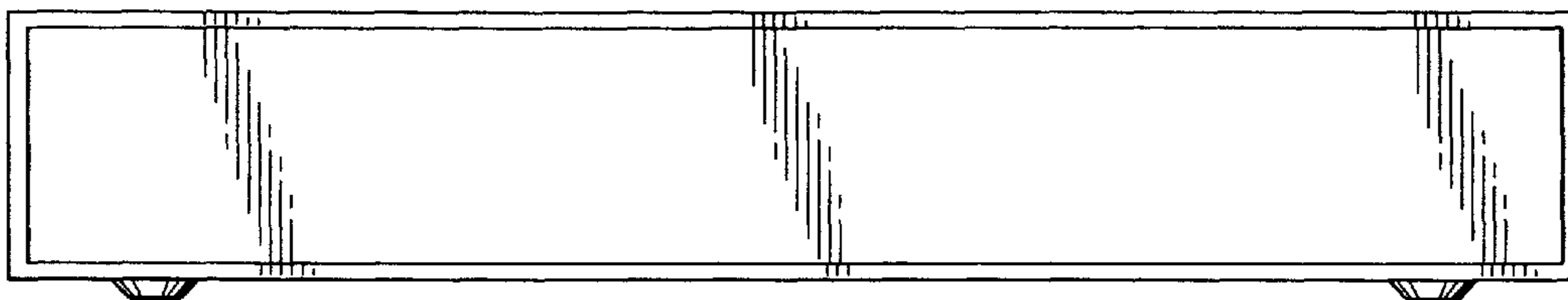


FIG. 8

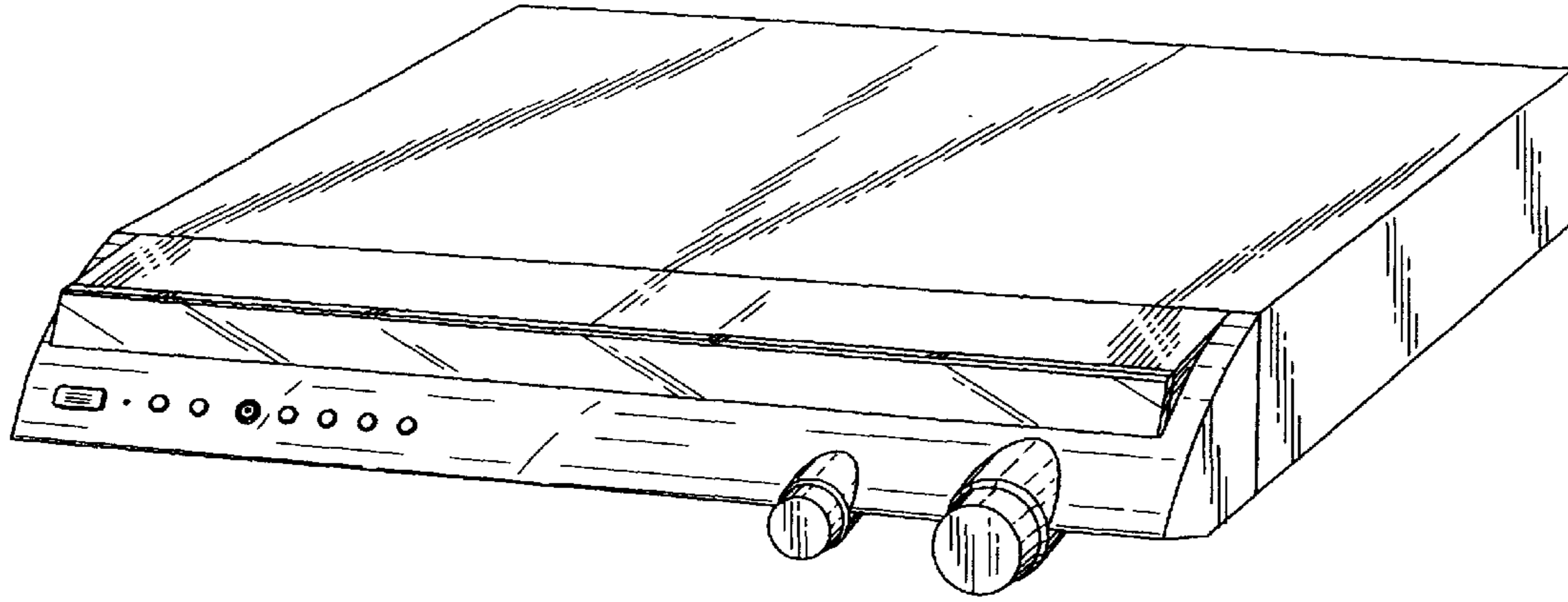


FIG. 9

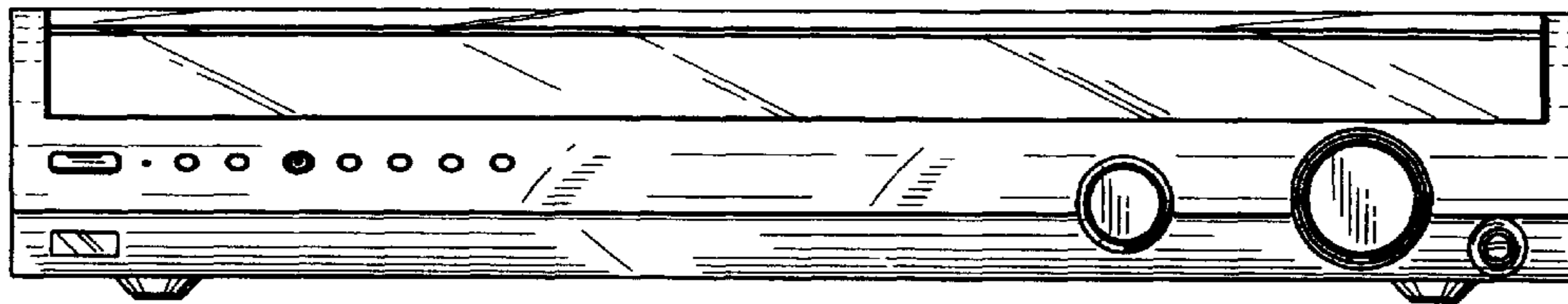


FIG. 10

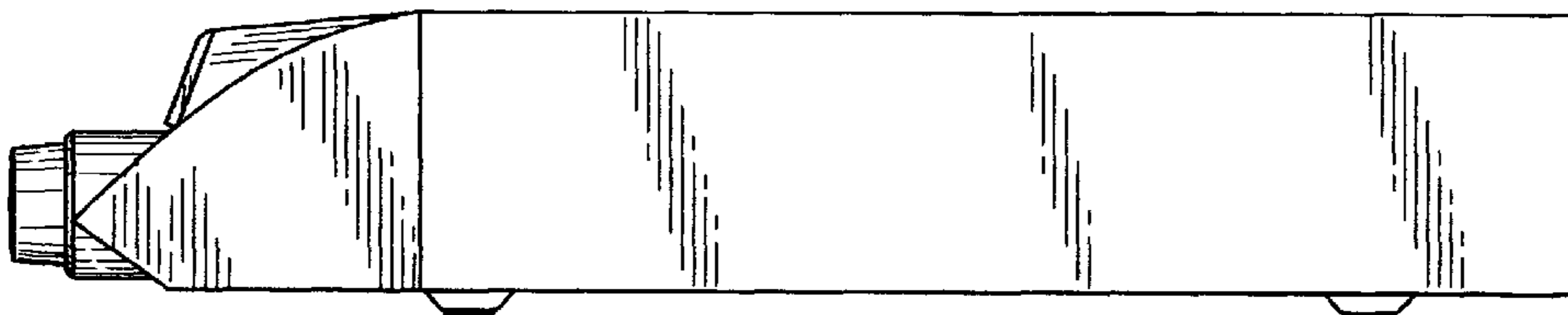


FIG. 11

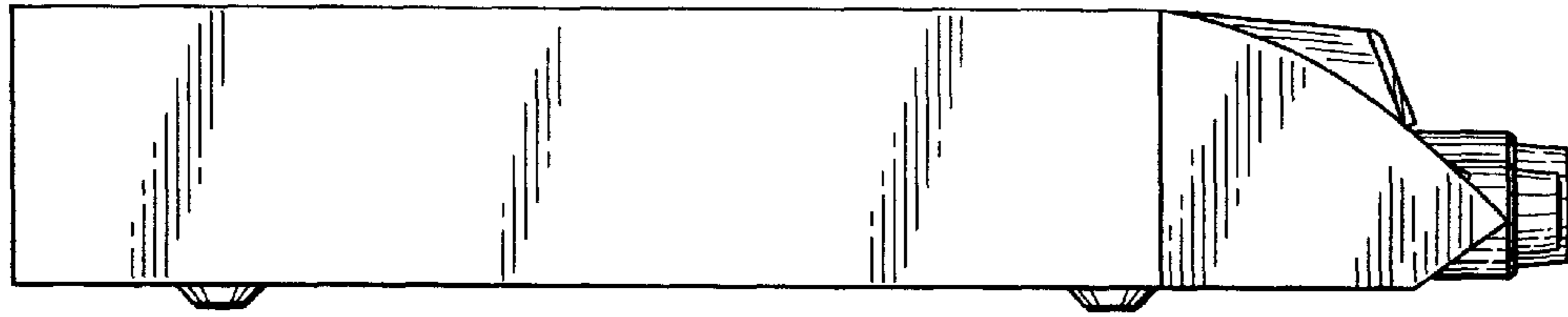


FIG. 12

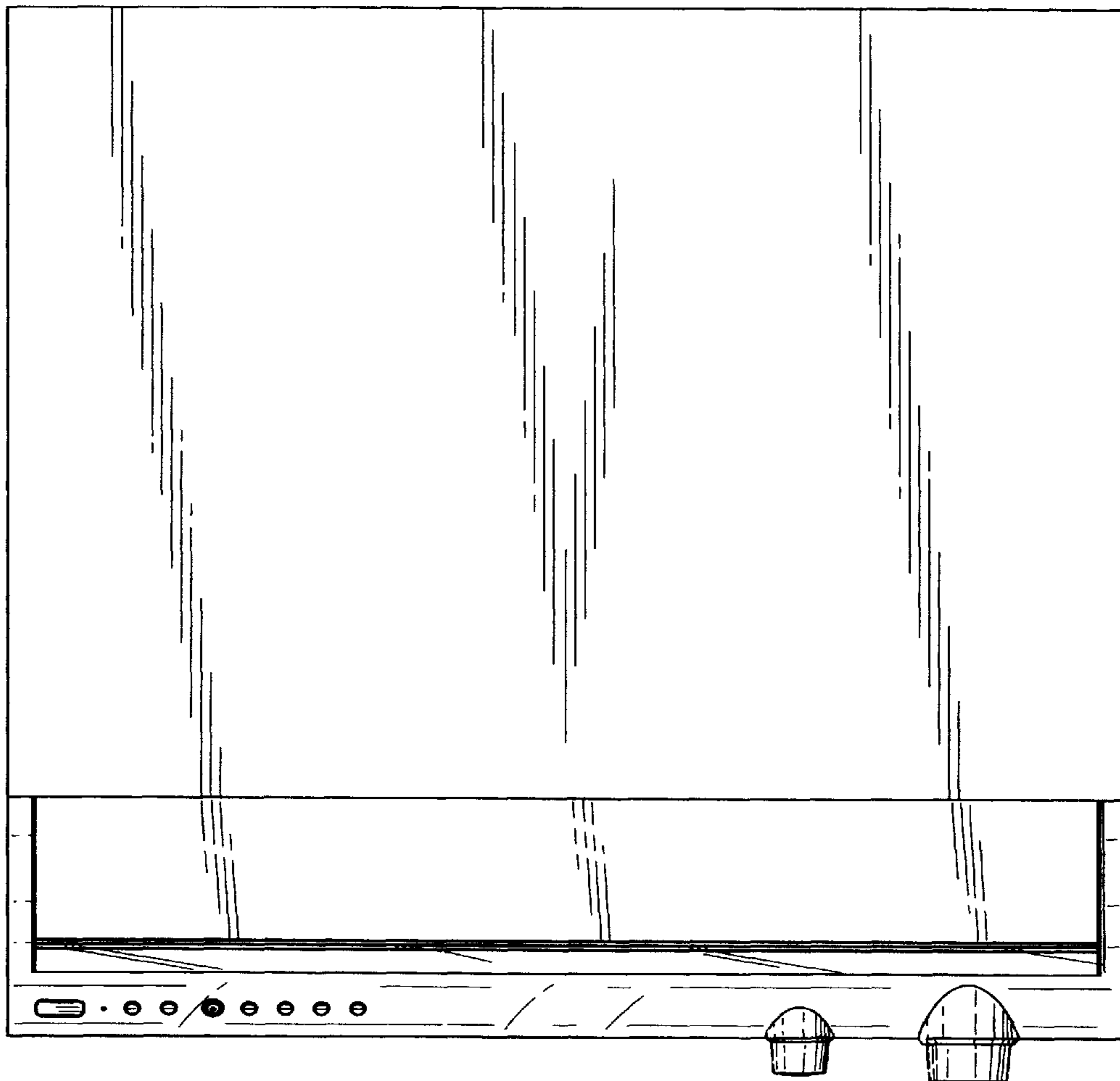


FIG. 13

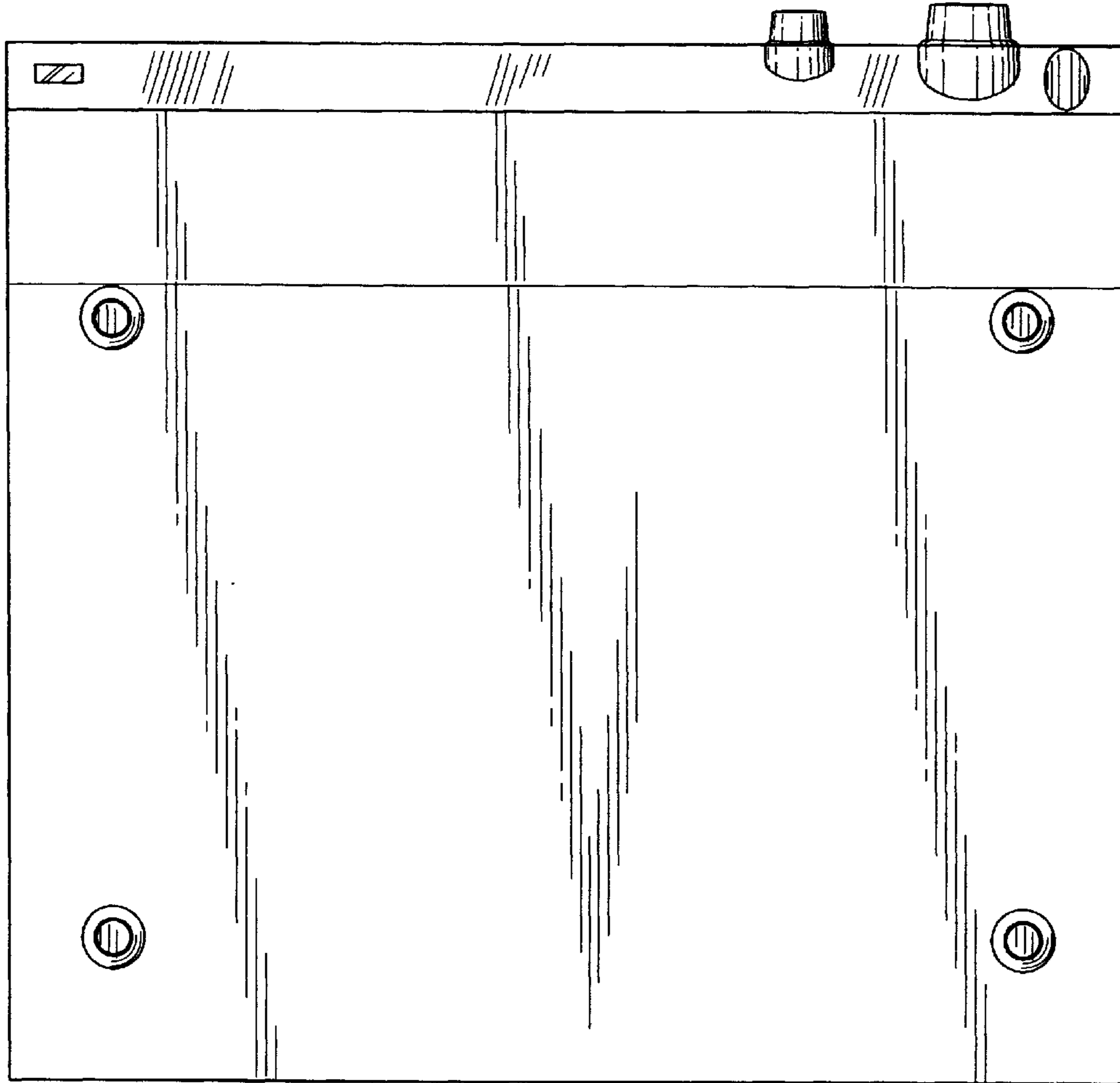


FIG. 14

