



US00D537433S

(12) **United States Design Patent**  
**Shimizu**

(10) **Patent No.:** **US D537,433 S**

(45) **Date of Patent:** **\*\* Feb. 27, 2007**

(54) **DIGITAL DISC PLAYER**

JP	D1185641	8/2003
JP	D1186538	8/2003
JP	D1216569	7/2004

(75) Inventor: **Akari Shimizu**, Bunkyo-ku (JP)

(73) Assignee: **Clarion Co., Ltd.**, Tokyo (JP)

(\*\*) Term: **14 Years**

(21) Appl. No.: **29/245,637**

(22) Filed: **Dec. 28, 2005**

(51) **LOC (8) Cl.** ..... **14-01**

(52) **U.S. Cl.** ..... **D14/156**

(58) **Field of Classification Search** ..... D14/135-136,  
D14/156-157, 167-168, 192-198, 188, 257,  
D14/258, 445; 360/99.02, 99.07; 369/75.11,  
369/75.21, 77.21, 77.11; 720/612, 619, 647,  
720/655; 455/344, 347-351

See application file for complete search history.

(56) **References Cited**

**U.S. PATENT DOCUMENTS**

D313,023 S	*	12/1990	Kolenda et al.	.....	D14/258
D428,865 S	*	8/2000	Nishiwaki et al.	.....	D14/135
D437,841 S	*	2/2001	Kakizaki et al.	.....	D14/157
D483,731 S		12/2003	Yoshihara		
D483,732 S		12/2003	Yoshihara		
D496,931 S		10/2004	Yoshihara		

**FOREIGN PATENT DOCUMENTS**

JP                    D1132219            11/2001

**OTHER PUBLICATIONS**

U.S. Appl. No. 29/220,182, filed Dec. 28, 2004, Yoshihara.

\* cited by examiner

*Primary Examiner*—Nanda Bondade

(74) *Attorney, Agent, or Firm*—Oliff & Berridge, PLC

(57) **CLAIM**

The ornamental design for digital disc player, as shown and described.

**DESCRIPTION**

FIG. 1 is a perspective view of a digital disc player; FIG. 2 is a front elevational view thereof; FIG. 3 is a rear elevational view thereof; FIG. 4 is a left side elevational view thereof; FIG. 5 is a right side elevational view thereof; FIG. 6 is a top plan view thereof; FIG. 7 is a bottom plan view thereof; and, FIG. 8 is a cross sectional view taken along the lines 8—8 of FIG. 2, and not showing inside components. The broken line showing on FIG. 2 is for illustrative purposes only and forms no part of the claimed design.

**1 Claim, 4 Drawing Sheets**

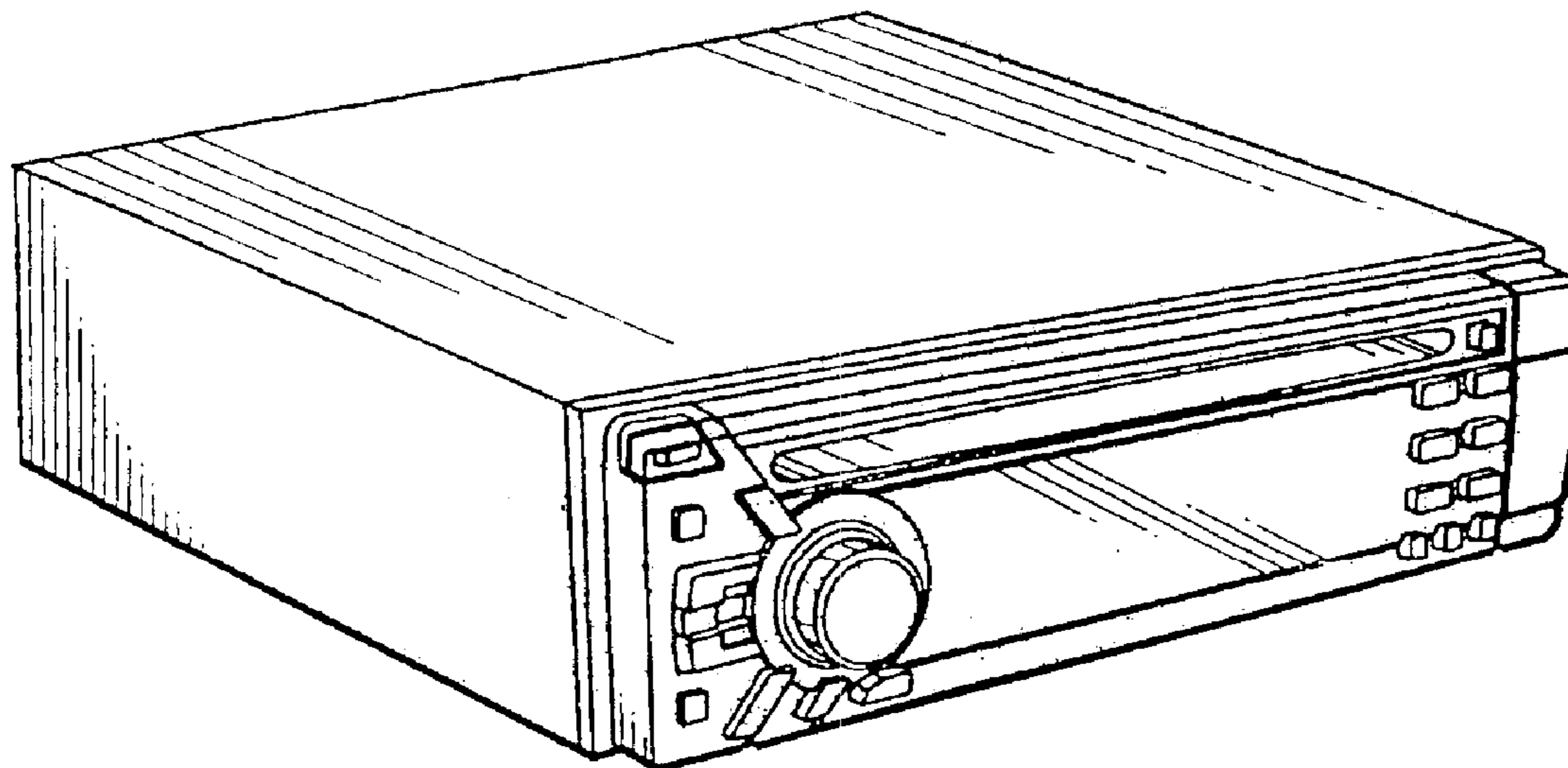


FIG. 1

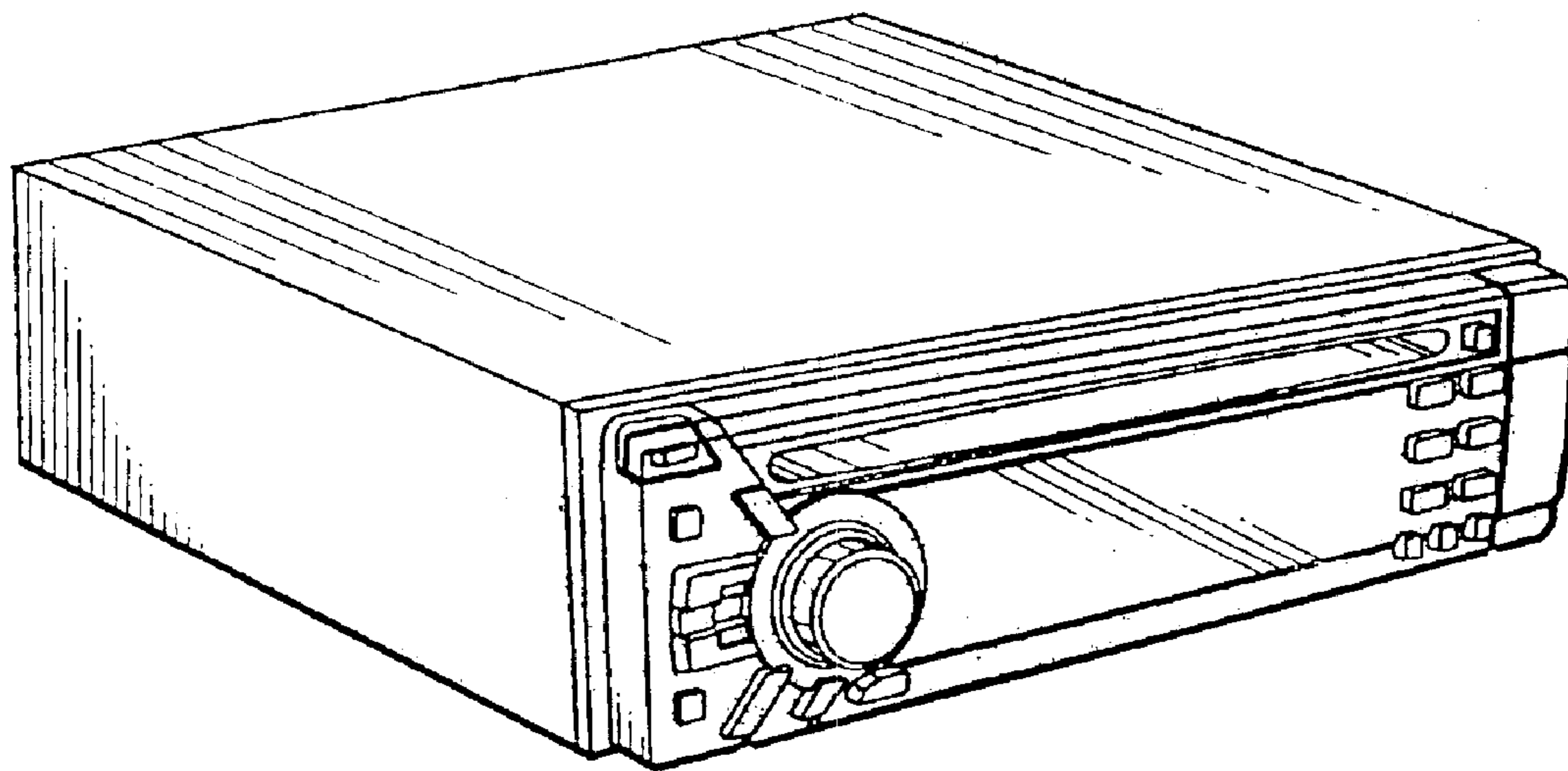
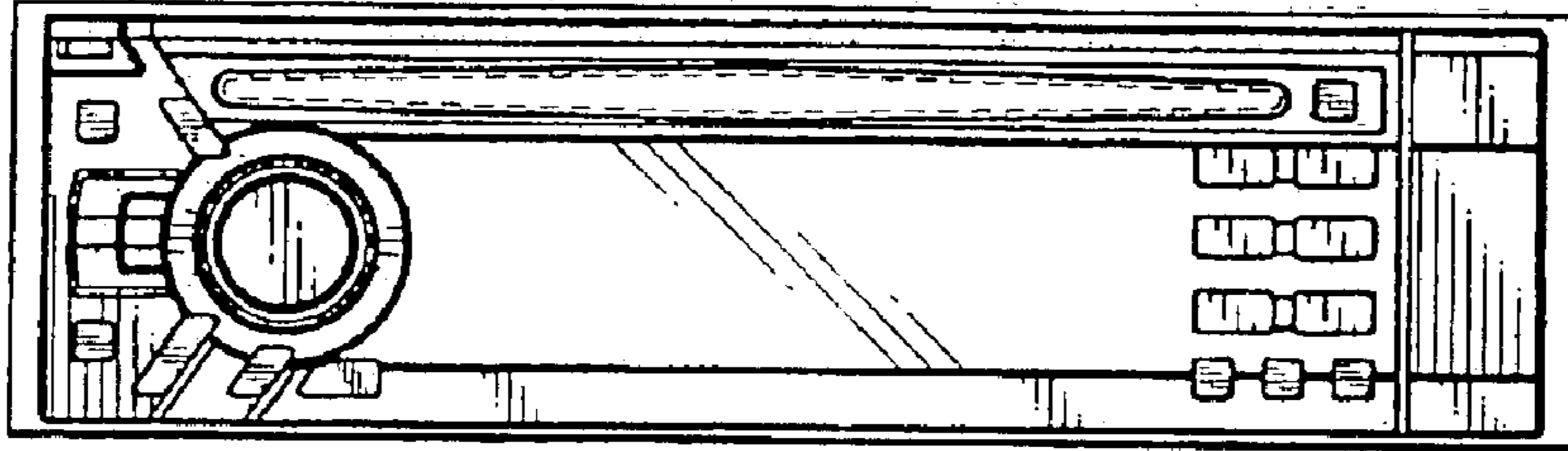


FIG.2

8 ←



8 ←

FIG.3

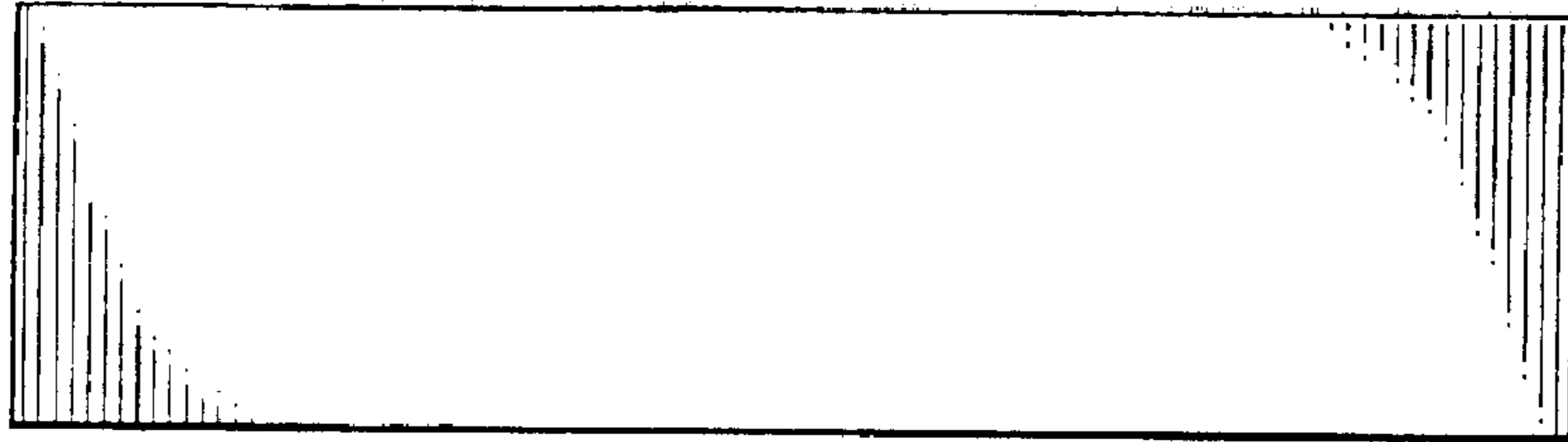


FIG.4

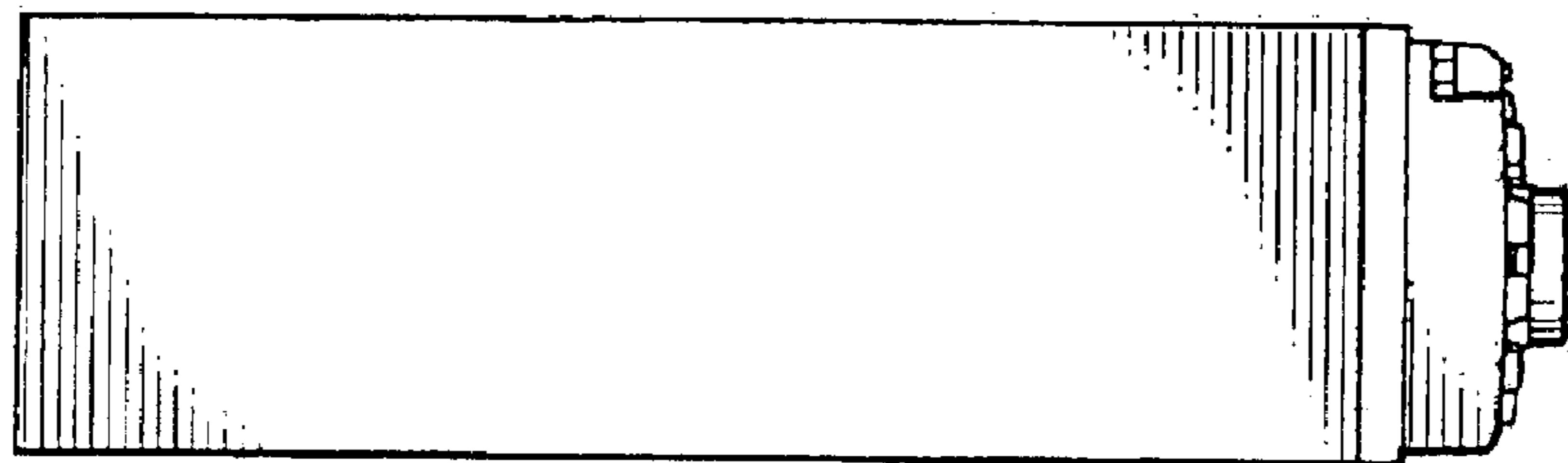


FIG.5

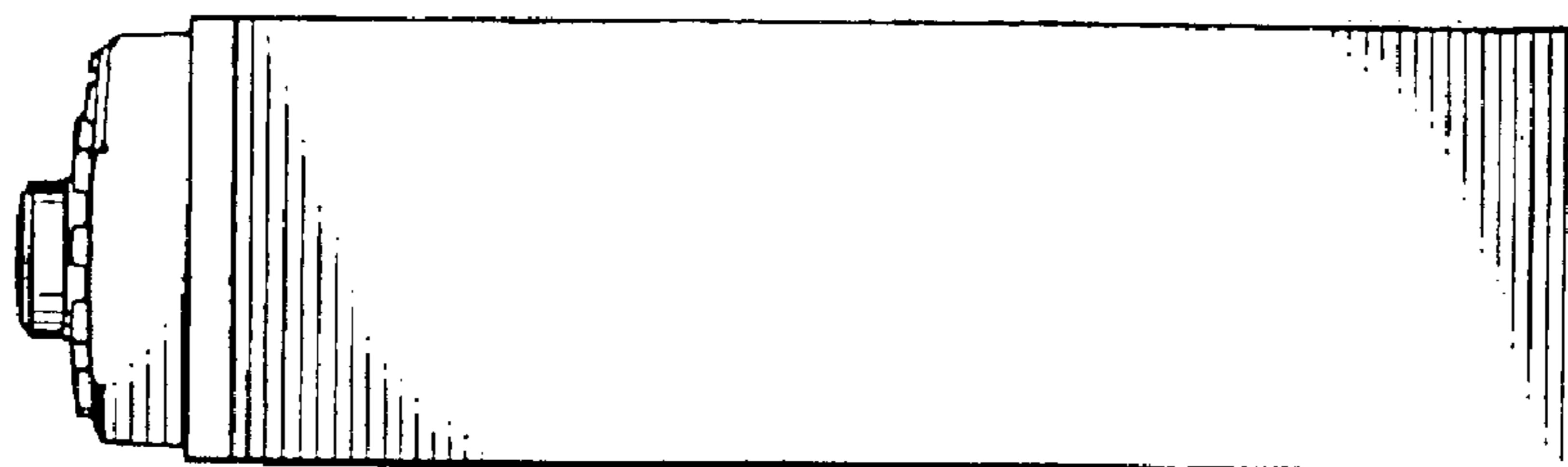


FIG.6

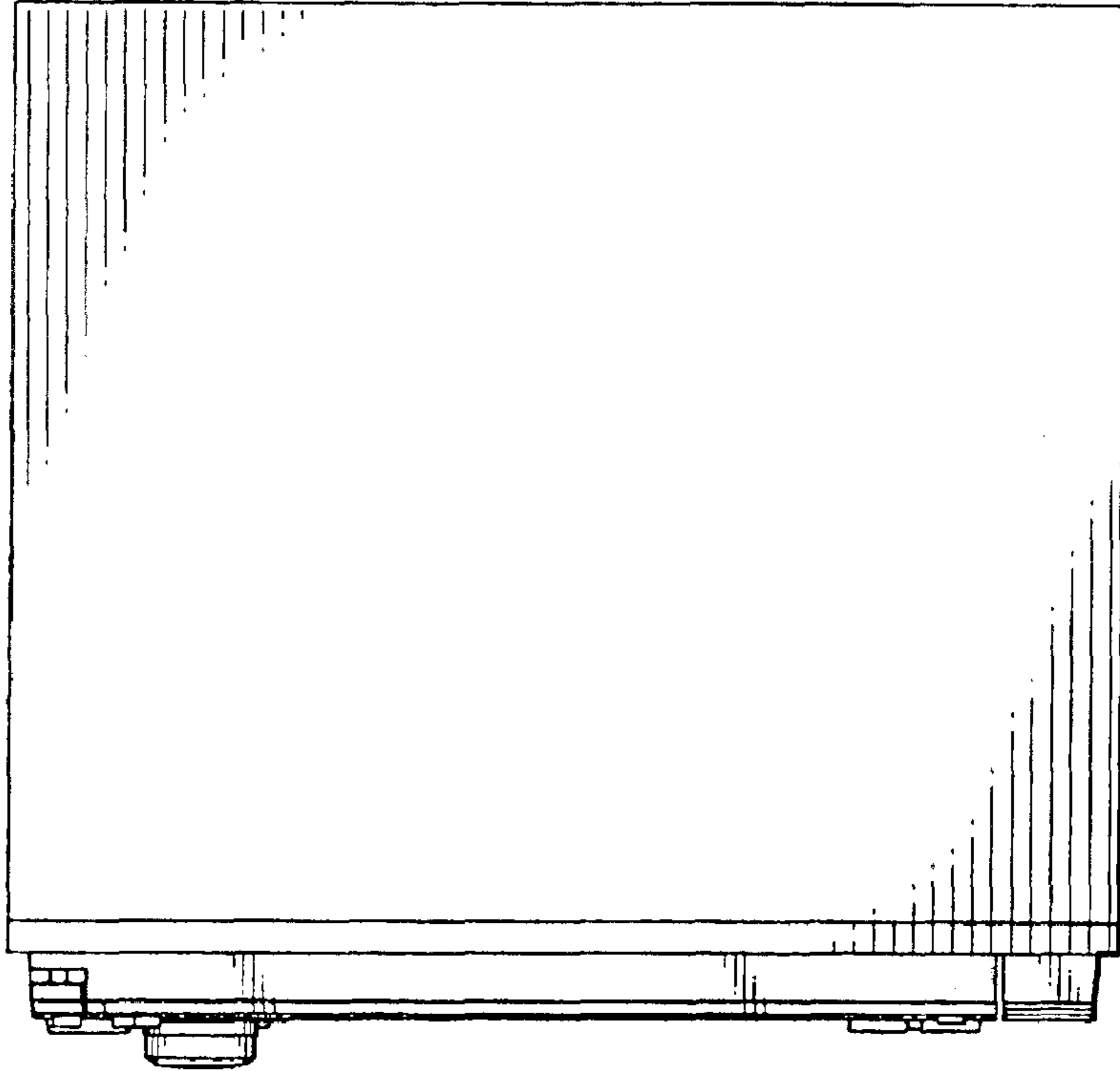


FIG.7

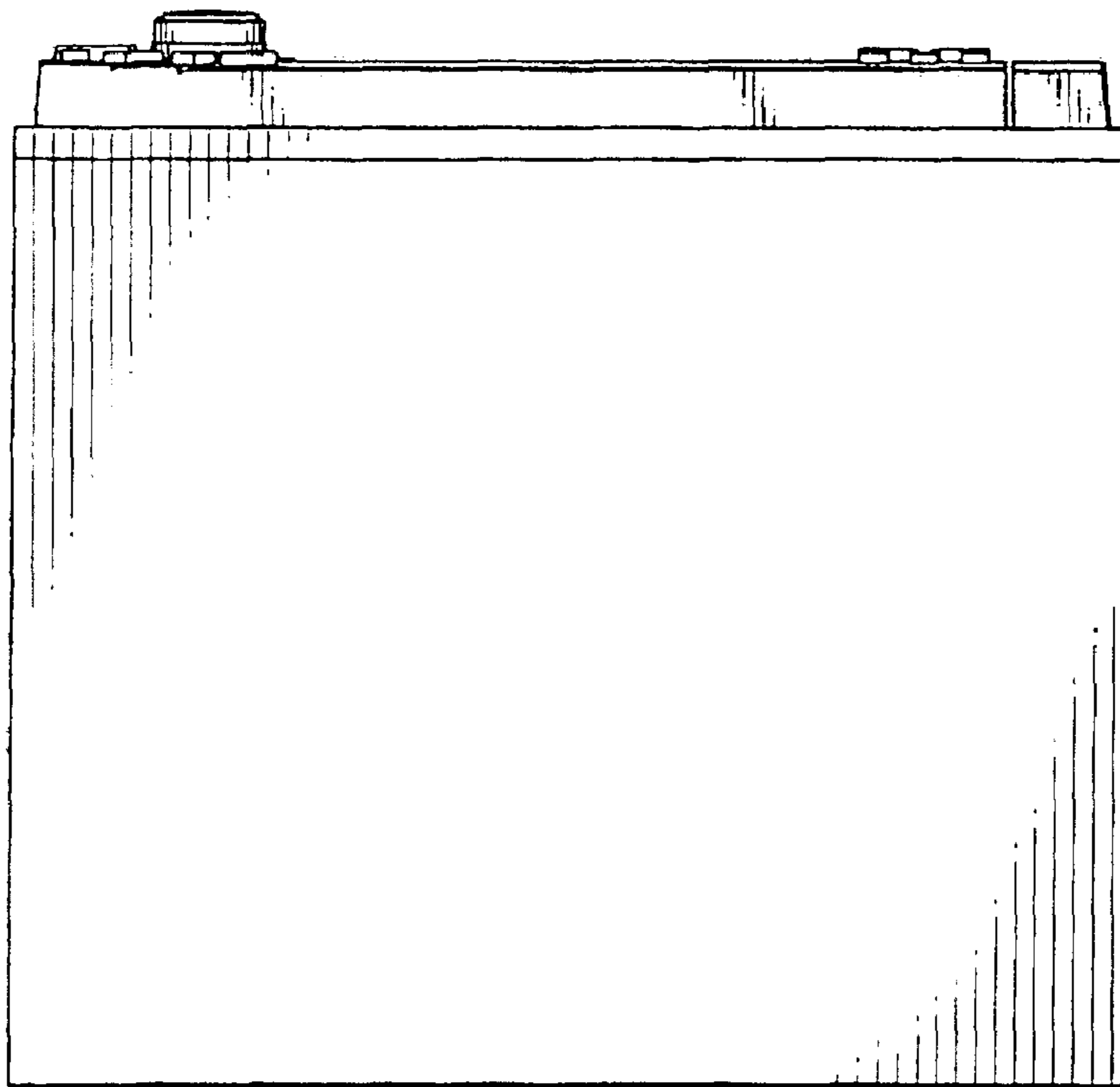


FIG. 8

