



US00D537430S

(12) **United States Design Patent** (10) **Patent No.:** **US D537,430 S**
Lee (45) **Date of Patent:** **** Feb. 27, 2007**

(54) **PORTABLE TELEPHONE**

(75) Inventor: **Young-Keun Lee**, Seoul (KR)

(73) Assignee: **Samsung Electronics Co., Ltd.**,
Suwon-si (KR)

(**) Term: **14 Years**

(21) Appl. No.: **29/229,333**

(22) Filed: **May 6, 2005**

(30) **Foreign Application Priority Data**

Nov. 26, 2004 (KR) 30-2004-0036208

(51) **LOC (8) Cl.** **14-03**

(52) **U.S. Cl.** **D14/138**

(58) **Field of Classification Search** D14/191,
D14/138, 147-148, 247-248, 144, 496, 156,
D14/341-347; 379/433.01-433.13; 455/575.3,
455/566, 575.1, 556.1, 556.2, 90.3; D21/517;
D16/208

See application file for complete search history.

(56) **References Cited**

U.S. PATENT DOCUMENTS

D489,699 S	*	5/2004	Hwang et al.	D14/138
D491,908 S	*	6/2004	Son	D14/138
D497,604 S	*	10/2004	Lee	D14/138
D498,220 S	*	11/2004	Park	D14/138
D502,458 S	*	3/2005	Chung et al.	D14/138
D505,125 S	*	5/2005	Ahn et al.	D14/138
D506,739 S	*	6/2005	Shin et al.	D14/138
D508,033 S	*	8/2005	Kim et al.	D14/138
D508,476 S	*	8/2005	Kim	D14/138
D510,078 S	*	9/2005	Lee et al.	D14/138
D510,733 S	*	10/2005	Lee et al.	D14/138
D511,335 S	*	11/2005	Jeoung et al.	D14/138
D512,038 S	*	11/2005	Kim et al.	D14/138
D512,397 S	*	12/2005	Choi et al.	D14/138
D515,061 S	*	2/2006	Kim et al.	D14/138
D518,014 S	*	3/2006	Cho	D14/138
D518,015 S	*	3/2006	Cho	D14/138
D518,809 S	*	4/2006	Cho	D14/138

D519,098 S	*	4/2006	Han et al.	D14/138
D519,483 S	*	4/2006	Cho et al.	D14/138
D519,968 S	*	5/2006	Lee et al.	D14/138
D519,970 S	*	5/2006	Kang et al.	D14/138
D520,978 S	*	5/2006	Lee	D14/138
D520,981 S	*	5/2006	Lee et al.	D14/138
D521,479 S	*	5/2006	Cho et al.	D14/138
D521,483 S	*	5/2006	Kim et al.	D14/138
D521,484 S	*	5/2006	Oh et al.	D14/138
D522,991 S	*	6/2006	Yun et al.	D14/138
2002/0016182 A1	*	2/2002	Kubo et al.	455/550

FOREIGN PATENT DOCUMENTS

JP	D1167430	*	3/2003
JP	D1189894	*	11/2003

OTHER PUBLICATIONS

Samsung X670 telephone, announced 1st quarter 2006, [online], [retrieved on Sep. 14, 2006]. Retrieved from Internet ,<URL: http://www.gsmarena.com>.*

Samsung Z330 telephone, announced Feb. 2006, [online], [retrieved on Sep. 14, 2006]. Retrieved from Internet , <URL: http://www.gsmarena.com>.*

* cited by examiner

Primary Examiner—Jeffrey Asch

(74) *Attorney, Agent, or Firm*—Leydig, Voit & Mayer, Ltd.

(57) **CLAIM**

I claim the ornamental design for a portable telephone, as shown and described.

DESCRIPTION

FIG. 1 is a perspective view of a portable telephone, when closed, according to my new design;
FIG. 2 is a front view thereof, when closed;
FIG. 3 is a rear view thereof, when closed;
FIG. 4 is a left side view thereof, when closed;
FIG. 5 is a right side view thereof, when closed;
FIG. 6 is a top view thereof, when closed;
FIG. 7 is a bottom view thereof, when closed; and,
FIG. 8 is a front view thereof, when open.

1 Claim, 5 Drawing Sheets

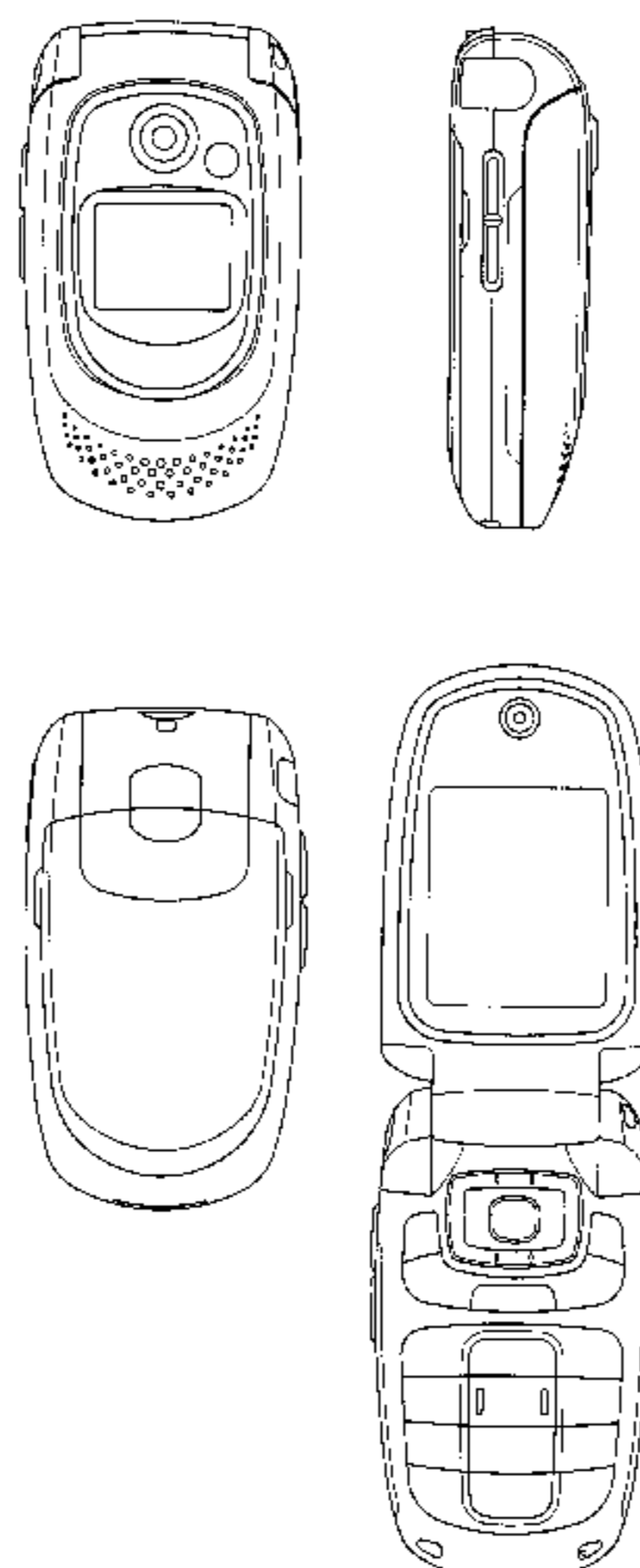


FIG. 1

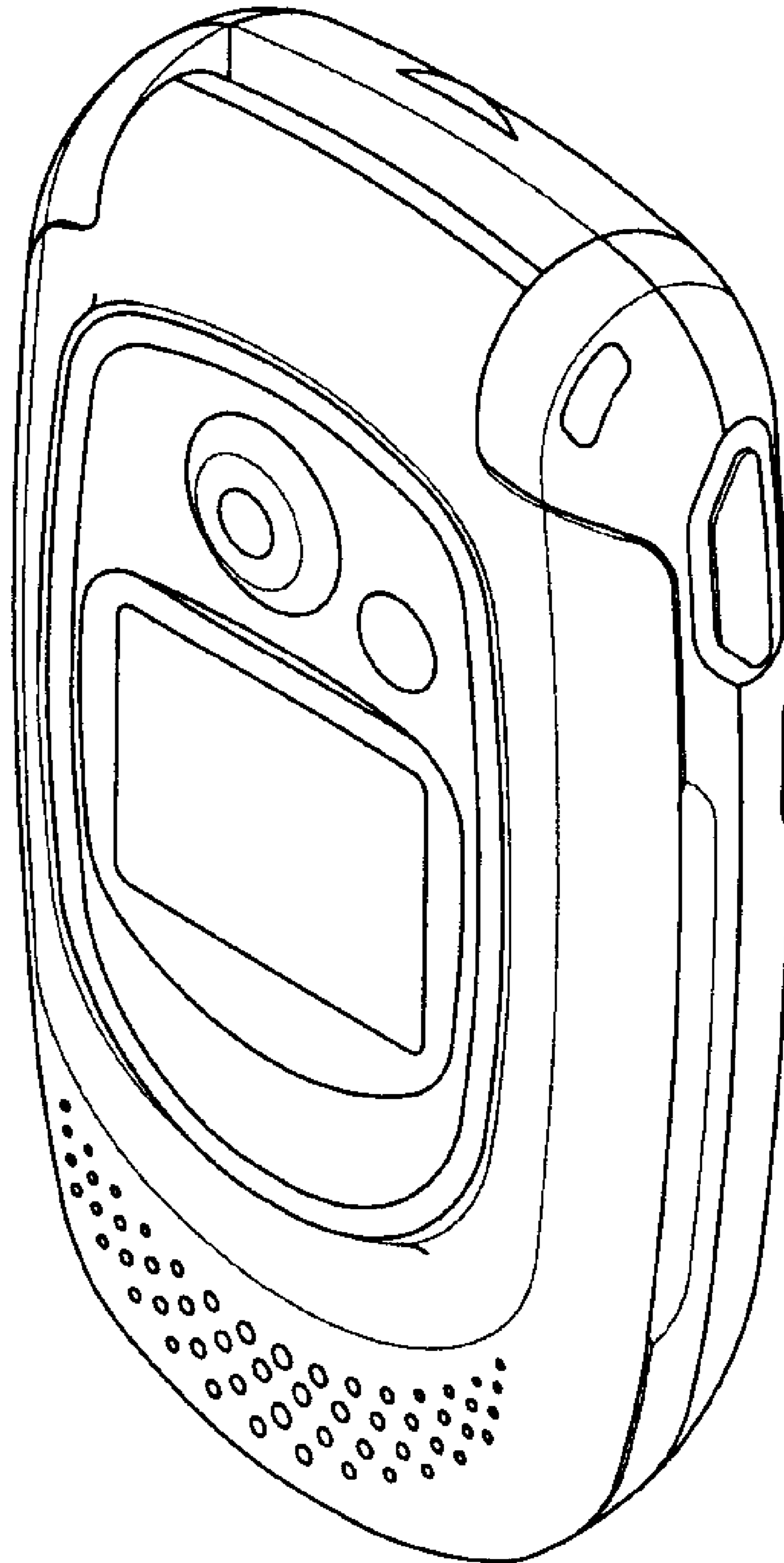


FIG. 2

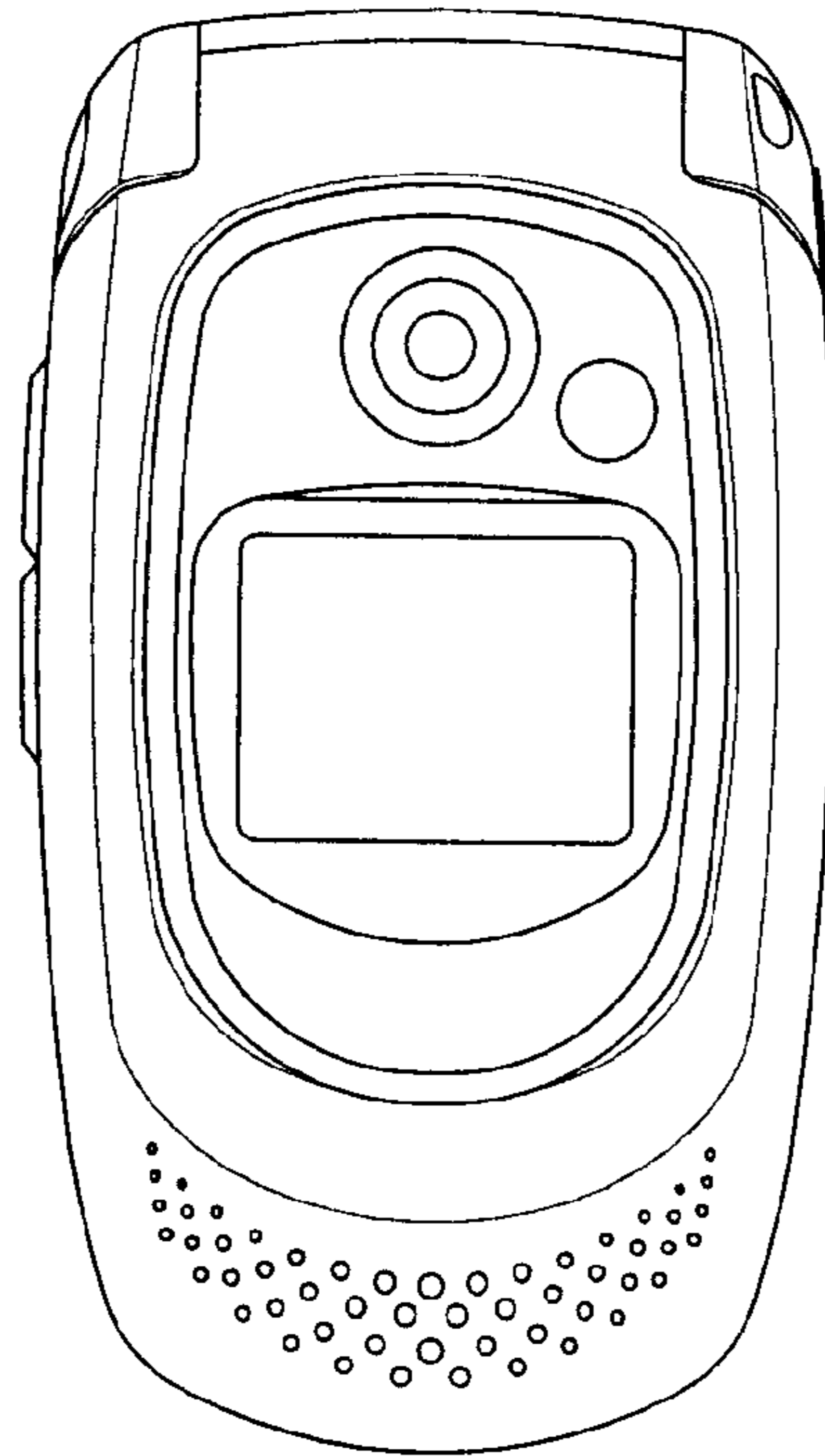
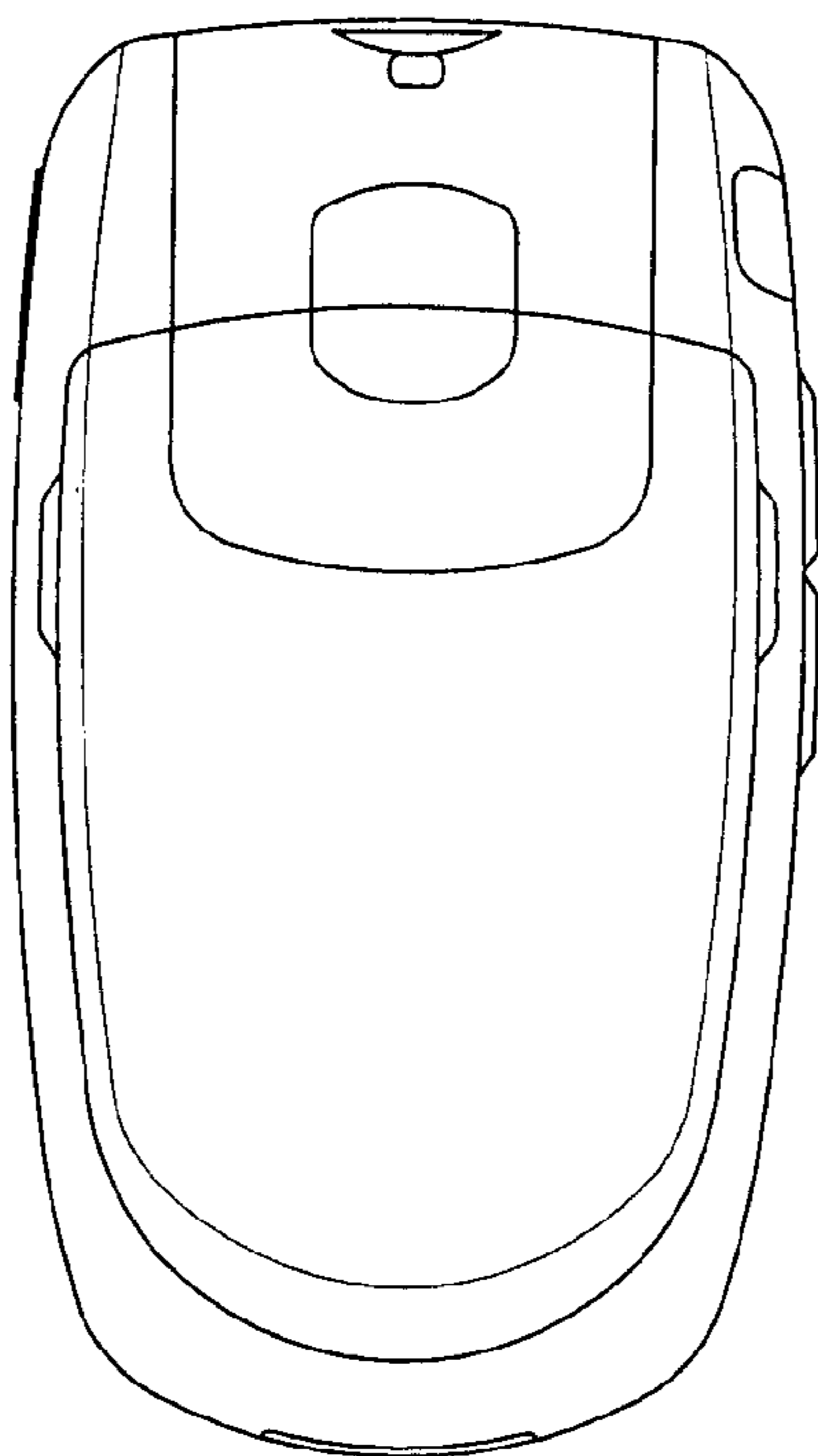


FIG. 3



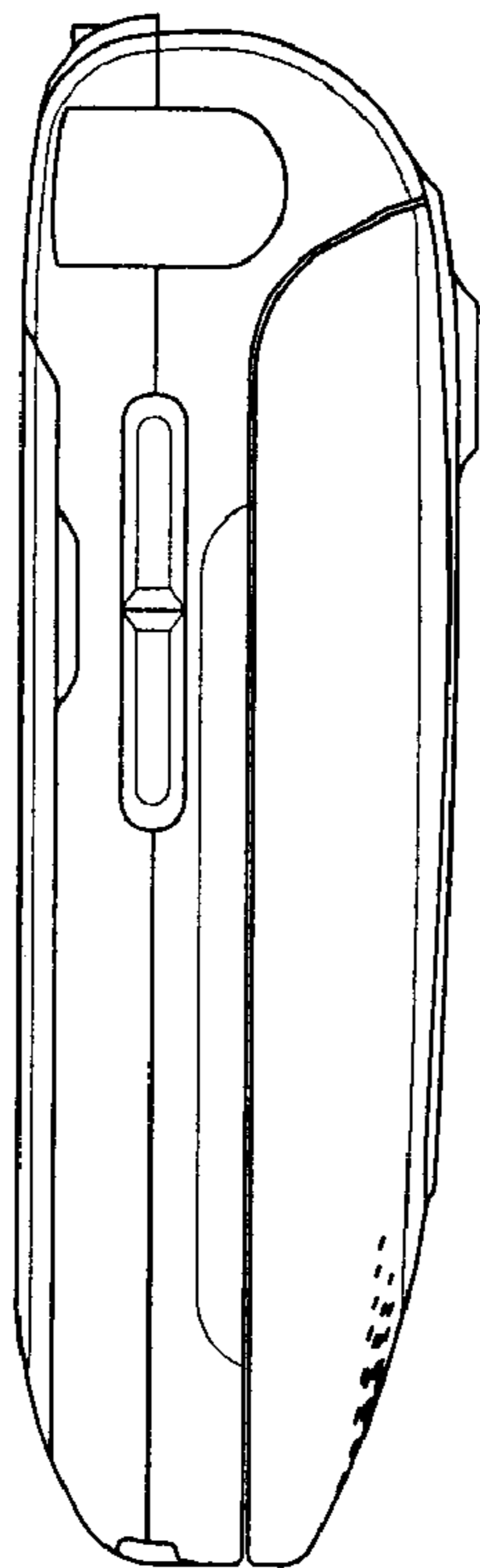


FIG. 4

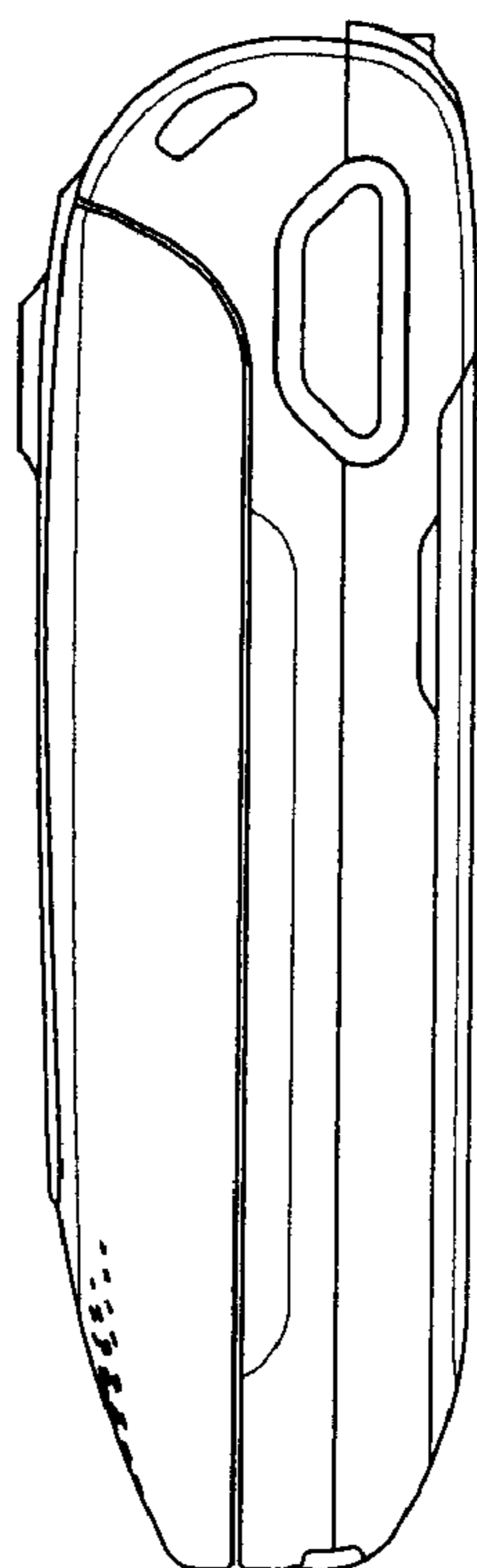


FIG. 5

FIG. 6

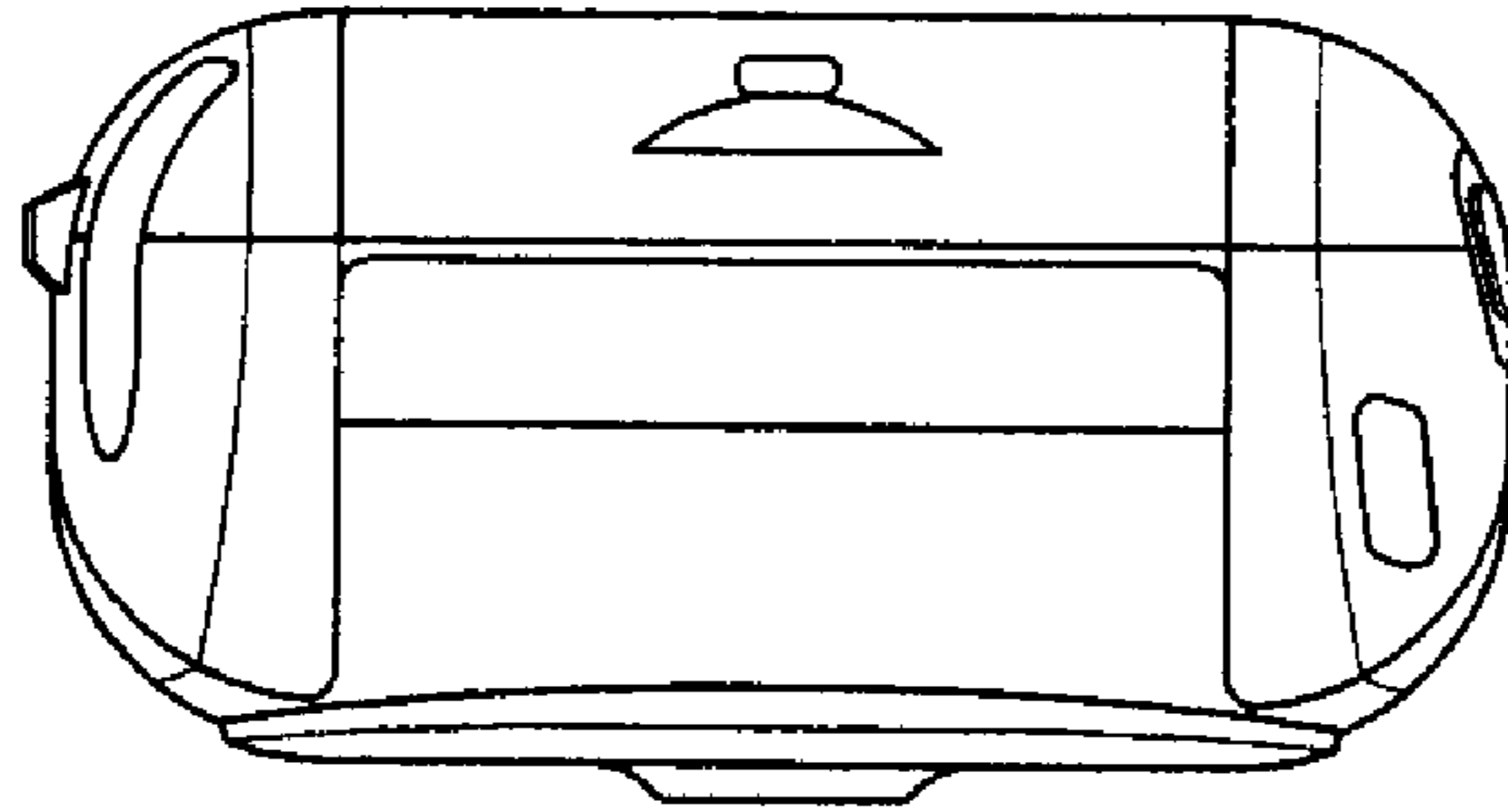


FIG. 7

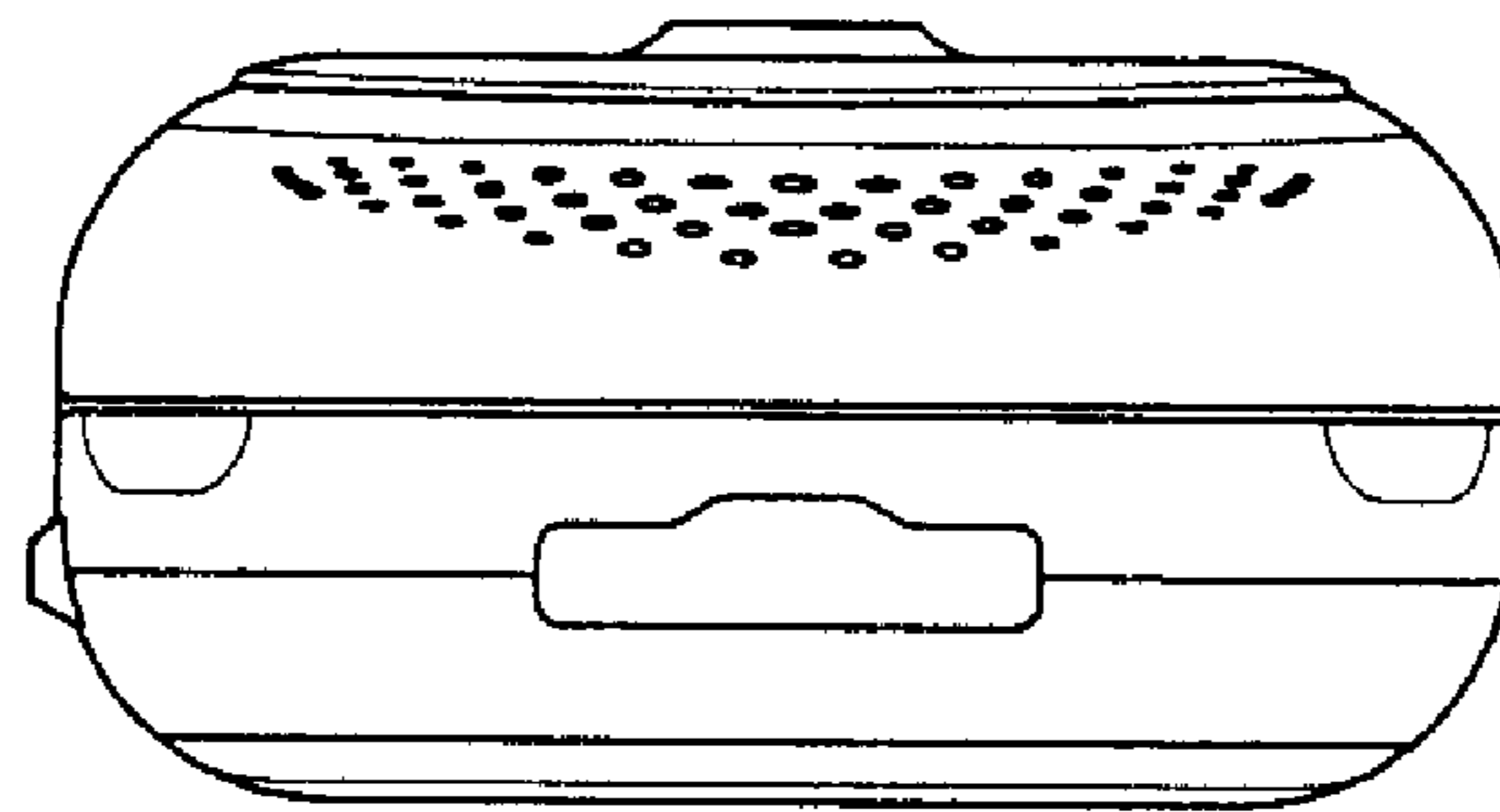


FIG. 8

