



US00D537423S

(12) **United States Design Patent**
Voege et al.

(10) **Patent No.:** **US D537,423 S**

(45) **Date of Patent:** **** Feb. 27, 2007**

(54) **TELEVISION SET**

(75) Inventors: **Michael Voege**, Sunnyvale, CA (US);
Kyle Naydo, Sunnyvale, CA (US)

(73) Assignee: **Hannspree, Inc.**, Taipei (TW)

(**) Term: **14 Years**

(21) Appl. No.: **29/230,654**

(22) Filed: **May 25, 2005**

(30) **Foreign Application Priority Data**

Dec. 15, 2004 (TW) 93307728

(51) **LOC (8) Cl.** **14-03**

(52) **U.S. Cl.** **D14/126; D14/132**

(58) **Field of Classification Search** D14/125,
D14/126, 127, 128, 129, 133, 374, 375, 376;
348/836, 838, 180, 184, 325, 739; 248/917-924;
345/104, 133, 156, 168, 87, 173; 314/12;
349/1, 2, 11

See application file for complete search history.

(56) **References Cited**

U.S. PATENT DOCUMENTS

D348,657 S * 7/1994 Matsuda D14/375
D354,949 S * 1/1995 Yao D14/337
D391,933 S * 3/1998 Chang D14/375
D403,670 S * 1/1999 Liao D14/375
D421,747 S * 3/2000 Takizawa D14/375

D429,227 S * 8/2000 Shimizu D14/126
D439,901 S * 4/2001 Ono et al. D14/375
D474,163 S * 5/2003 Araki D14/126
D502,690 S * 3/2005 Uehara et al. D14/129
D513,001 S * 12/2005 Jiang et al. D14/371
D513,003 S * 12/2005 Bloem et al. D14/375
D524,312 S * 7/2006 Young D14/375

* cited by examiner

Primary Examiner—Philip S. Hyder

(74) *Attorney, Agent, or Firm*—Bacon & Thomas PLLC

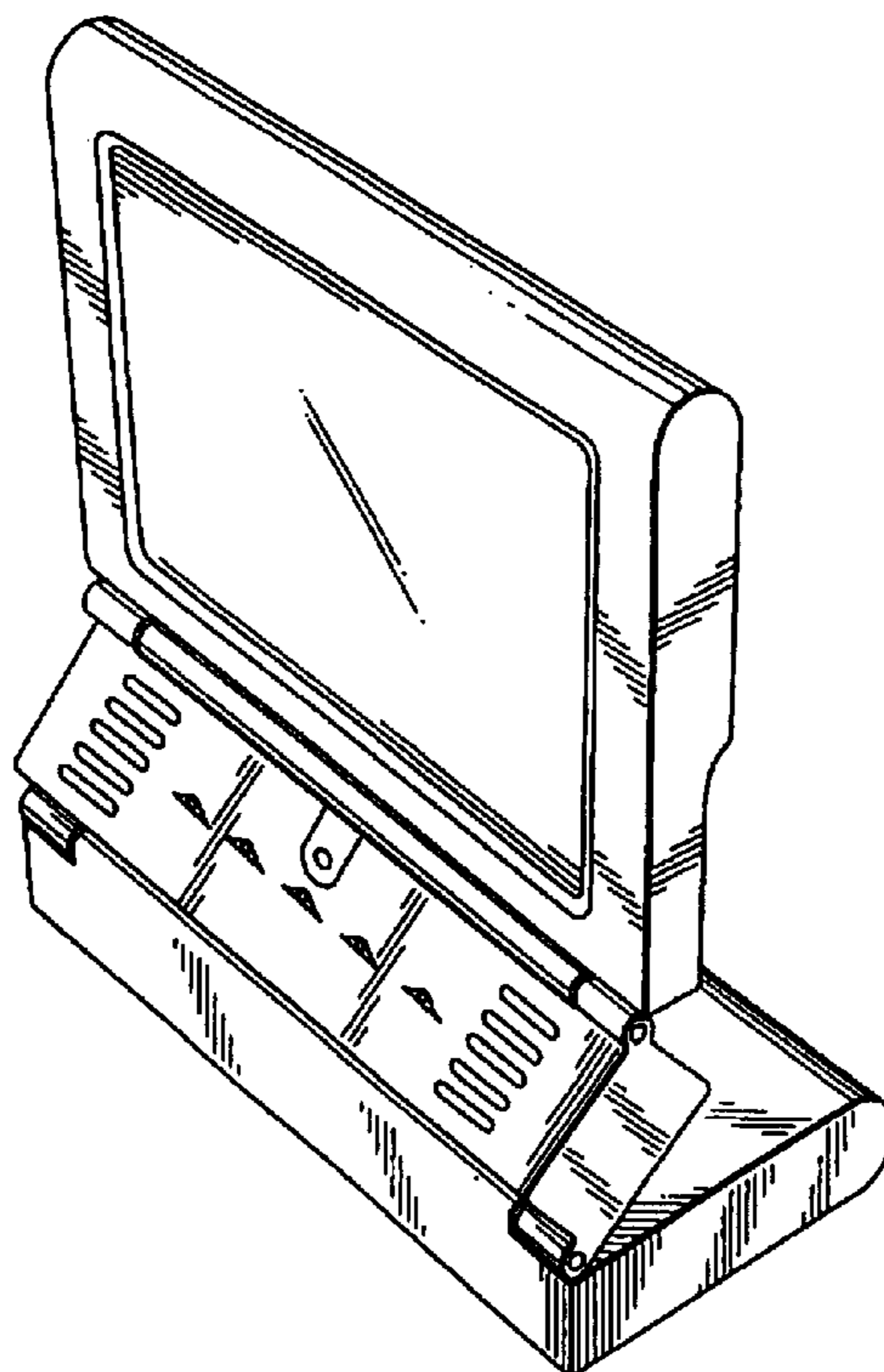
(57) **CLAIM**

The ornamental design for the television set, as shown and described.

DESCRIPTION

FIG. 1 is a perspective view of a television set showing our new design;
FIG. 2 is a front view thereof;
FIG. 3 is a rear view thereof;
FIG. 4 is a left side view thereof;
FIG. 5 is a right side view thereof;
FIG. 6 is a top plan view thereof;
FIG. 7 is a bottom plan view thereof;
FIG. 8 is a perspective view of the television set in a compact folded condition; and,
FIG. 9 is a perspective view of the television set in an unfolded condition.

1 Claim, 5 Drawing Sheets



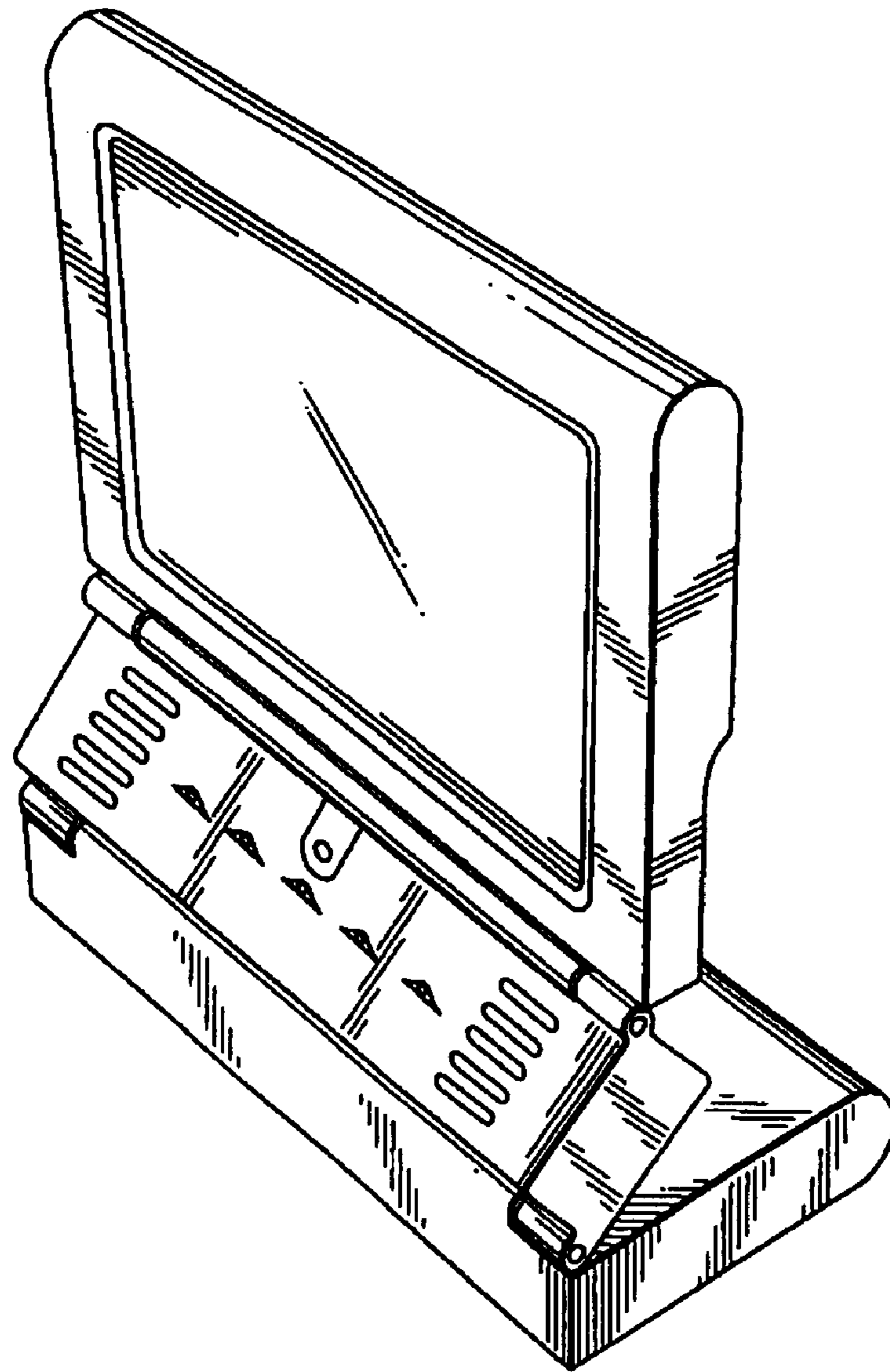


FIG. 1

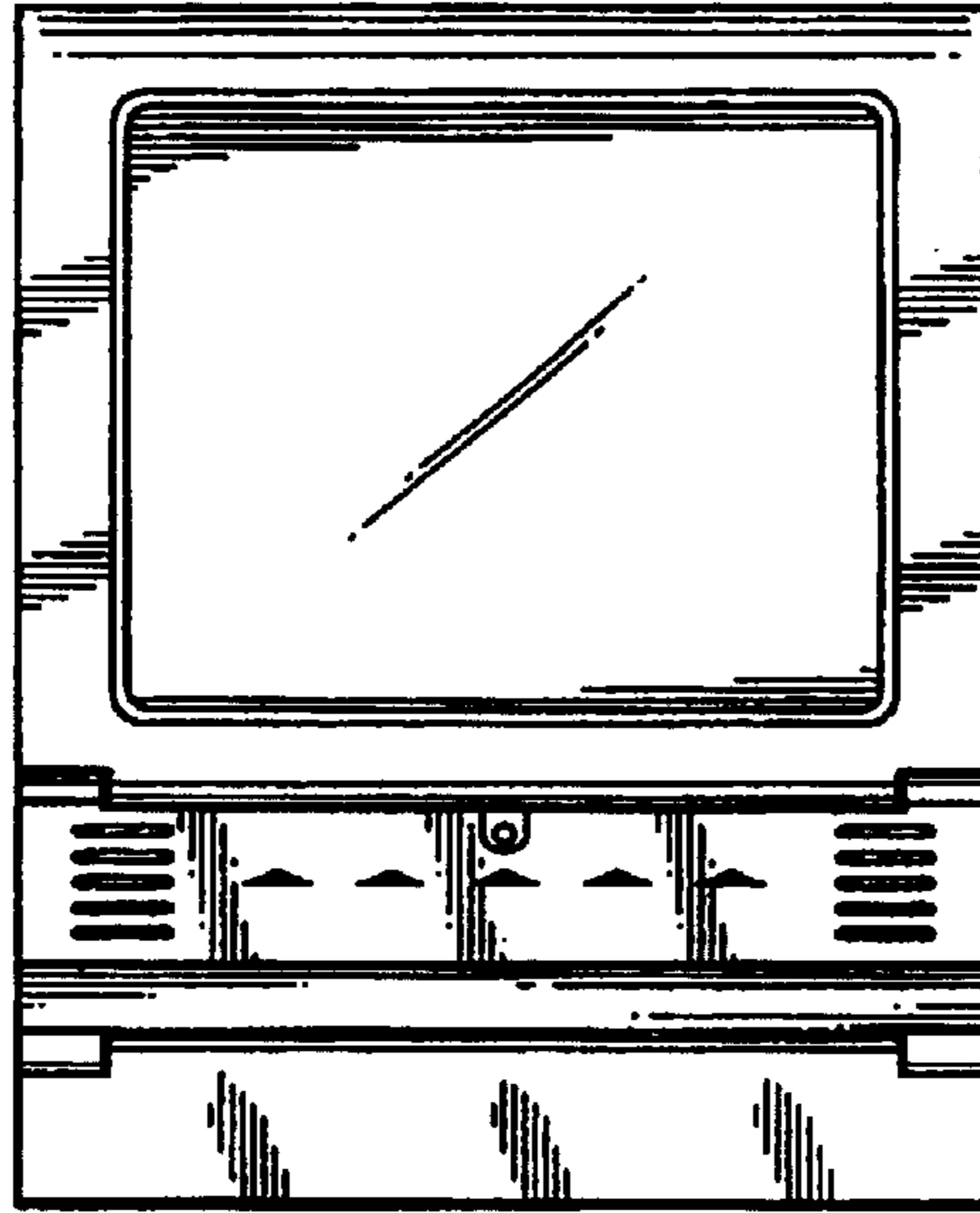


FIG. 2

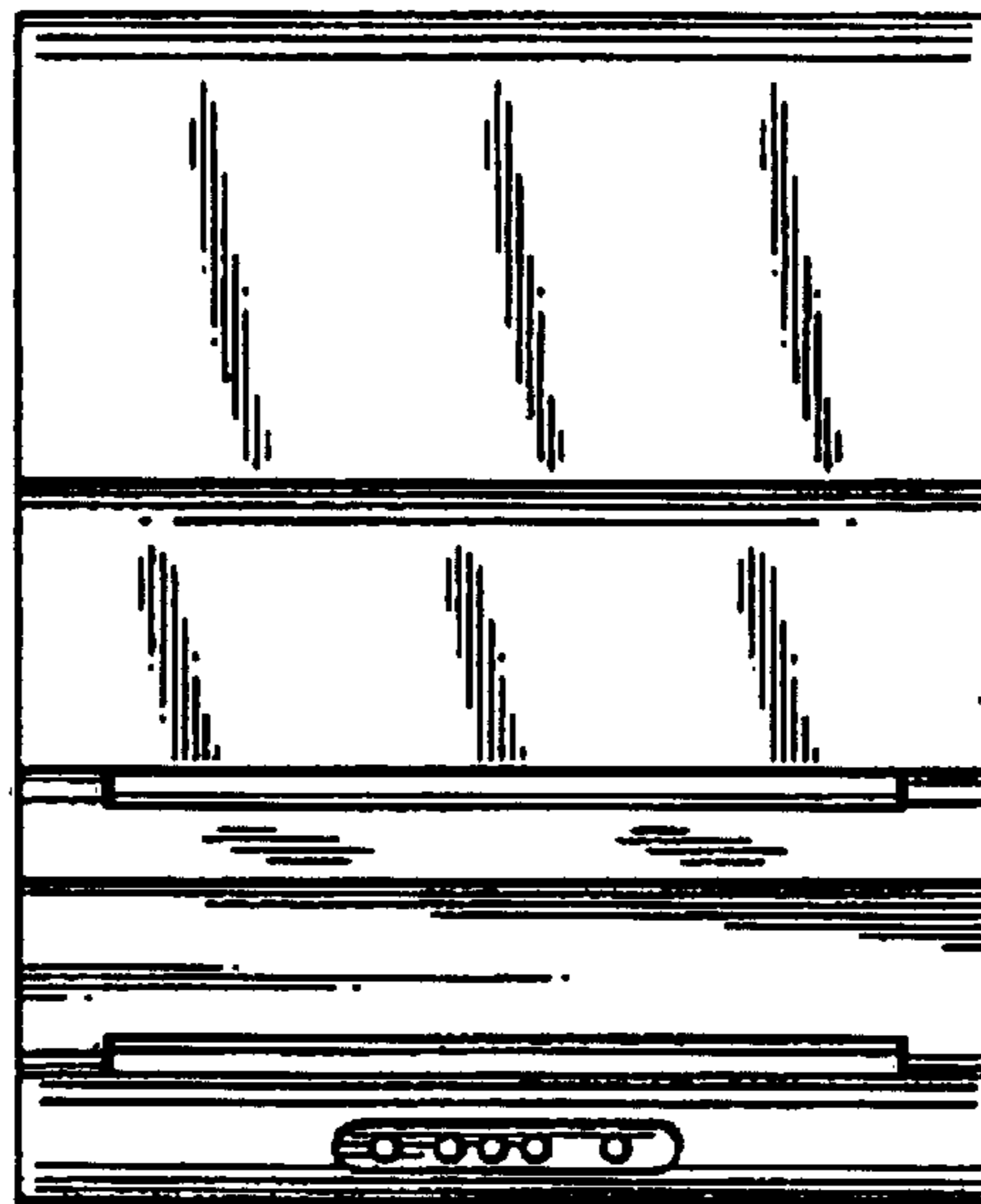


FIG. 3

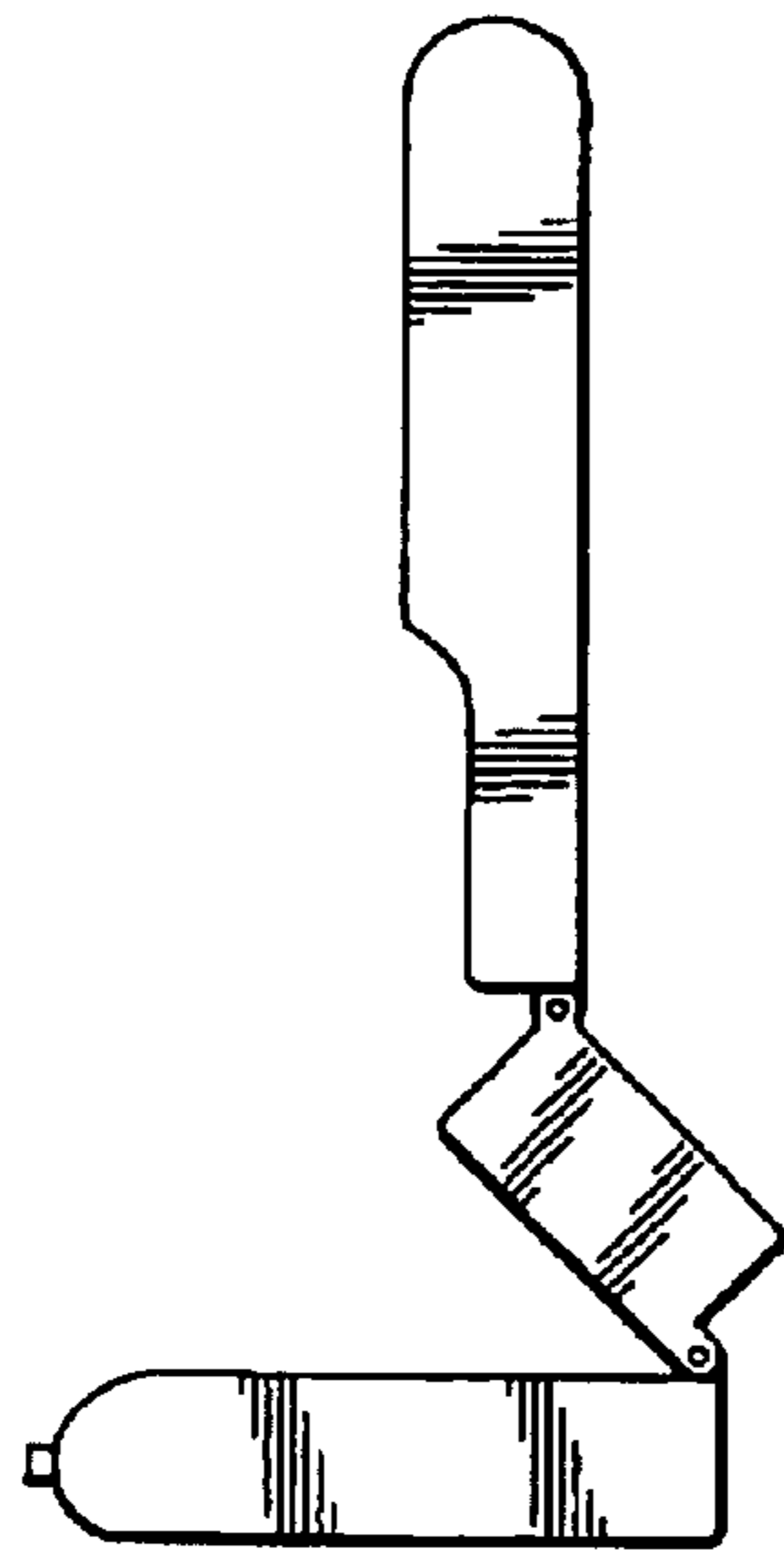


FIG. 4

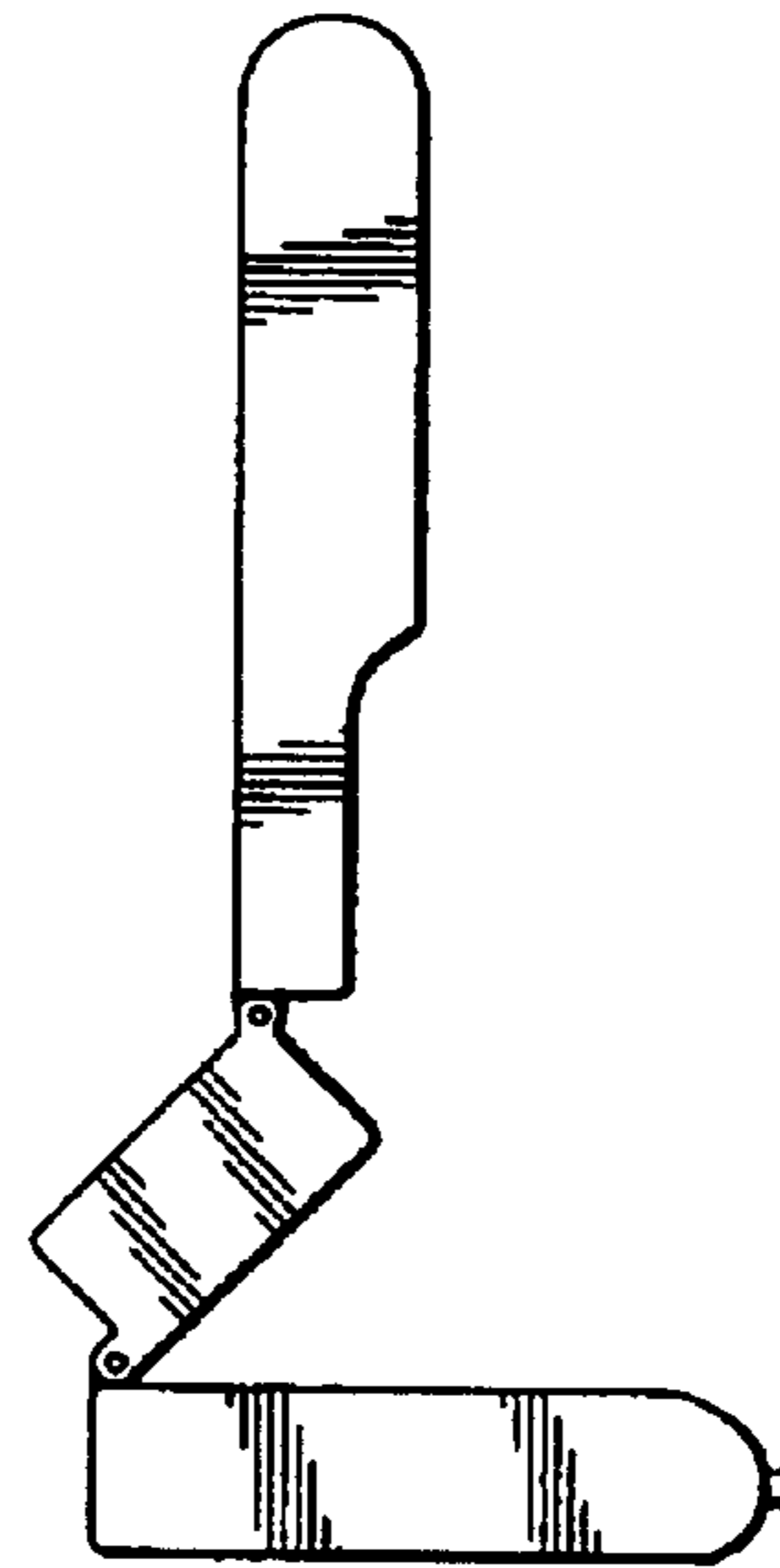


FIG. 5

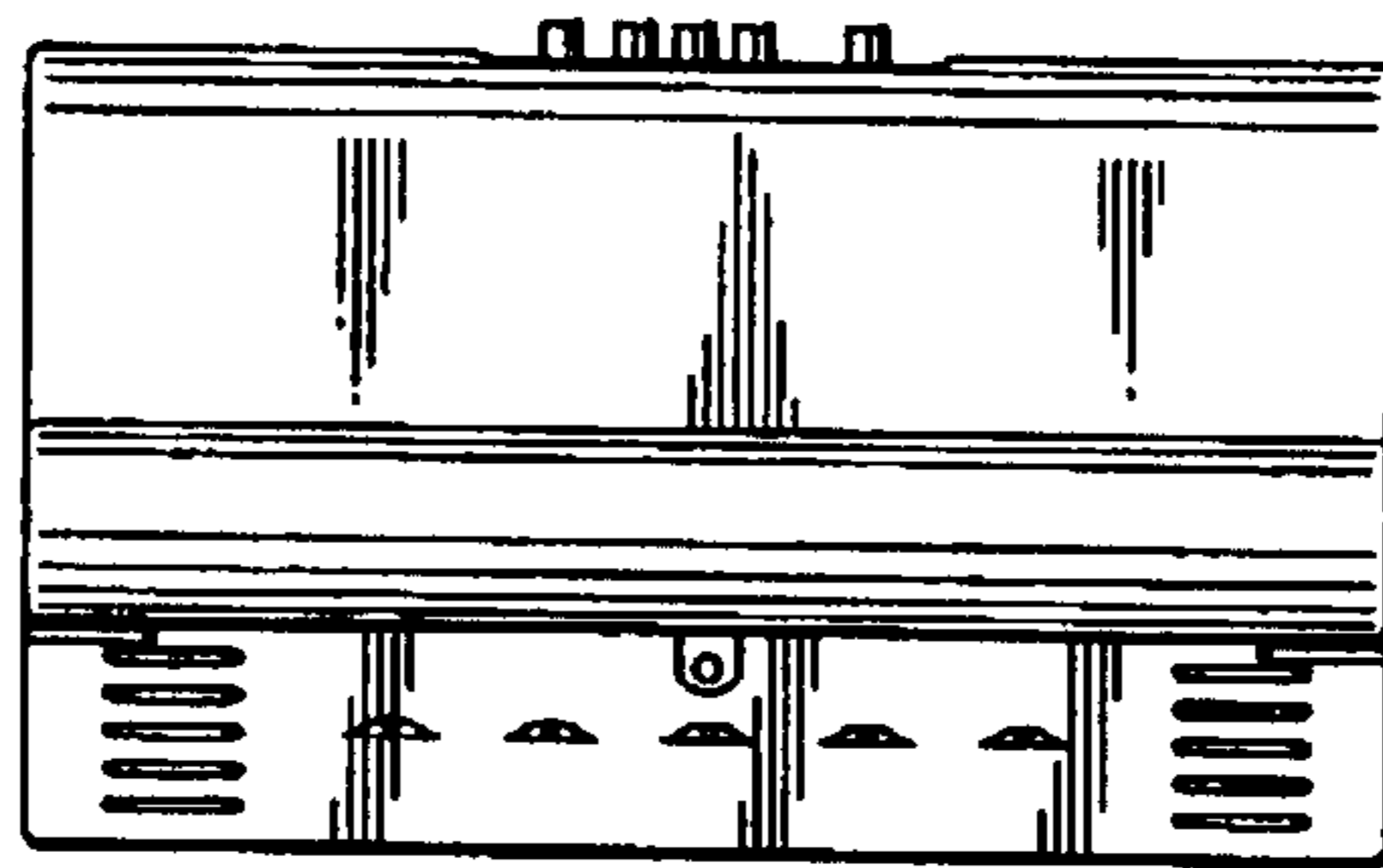


FIG. 6

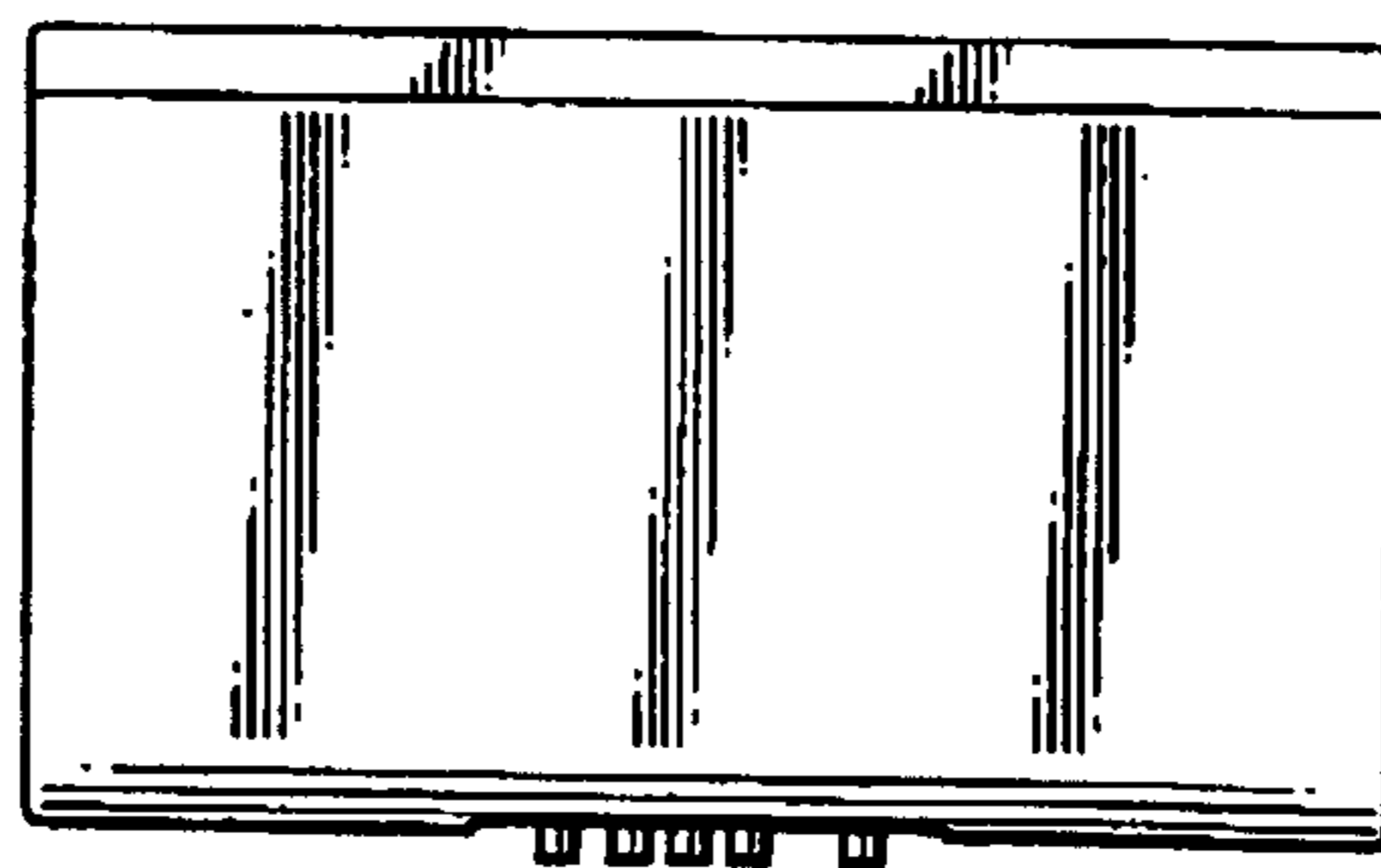


FIG. 7

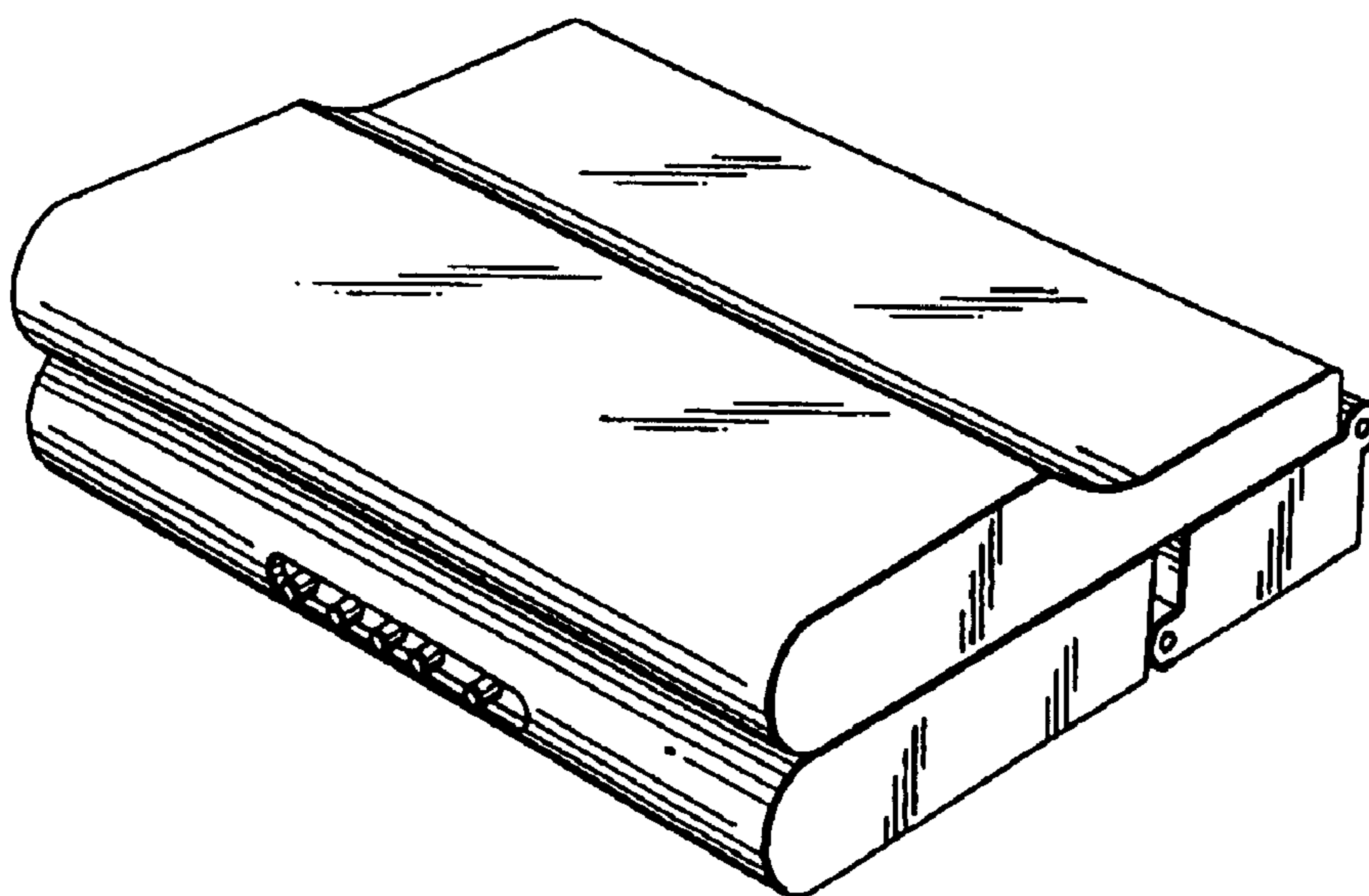


FIG. 8

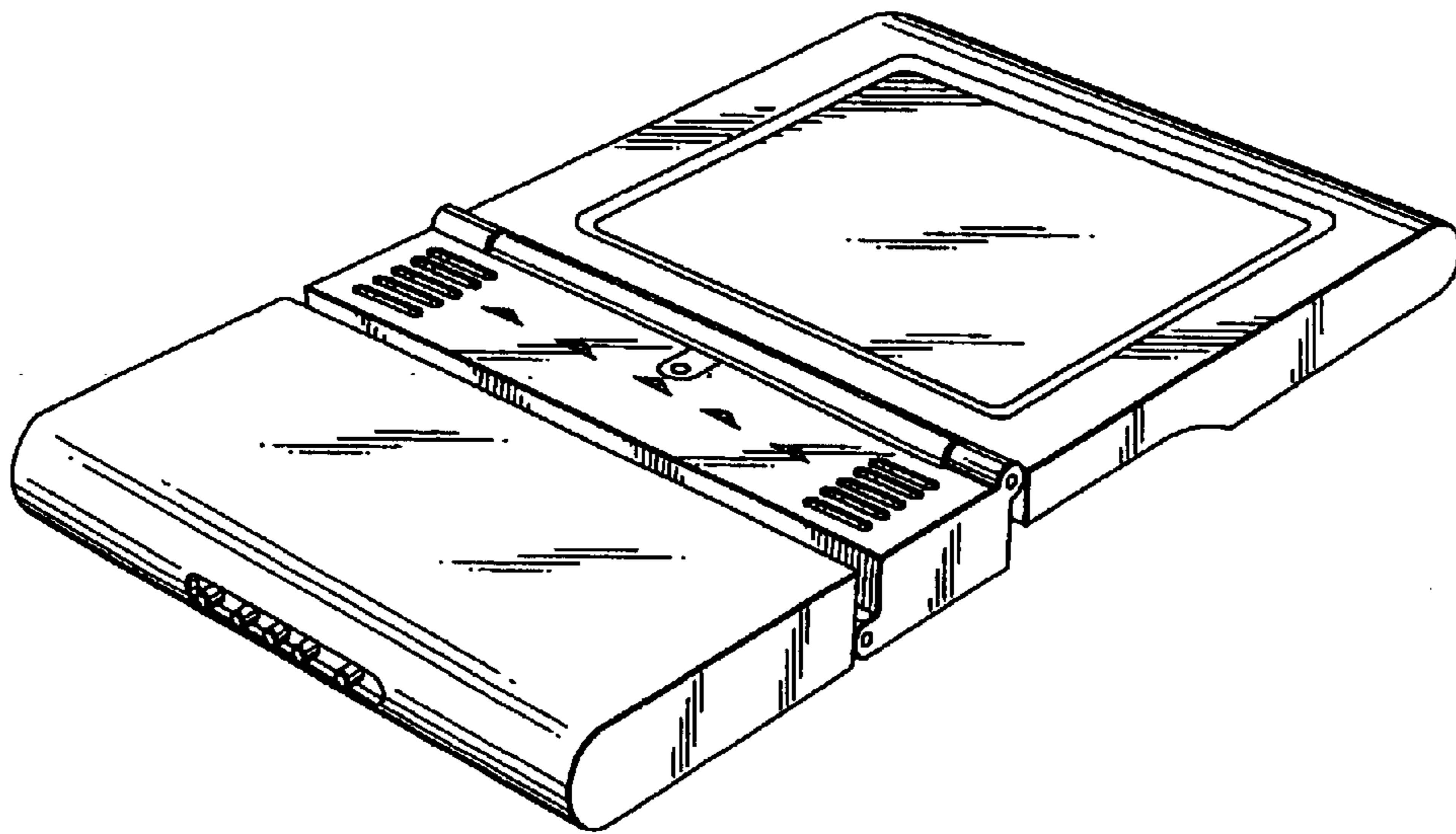


FIG. 9