



US00D537421S

(12) **United States Design Patent**  
**Hwang et al.**

(10) **Patent No.:** **US D537,421 S**

(45) **Date of Patent:** **\*\* Feb. 27, 2007**

(54) **TELEVISION**

(75) Inventors: **Bo Deung Hwang**, Seoul (KR); **Yeon Jin Kim**, Seoul (KR); **Hyun Lee**, Seoul (KR)

(73) Assignee: **LG Electronics Inc.**, Seoul (KR)

(\*\*) Term: **14 Years**

(21) Appl. No.: **29/224,285**

(22) Filed: **Mar. 1, 2005**

(30) **Foreign Application Priority Data**

Sep. 2, 2004 (KR) ..... 30-2004-0026909

(51) **LOC (8) Cl.** ..... **14-03**

(52) **U.S. Cl.** ..... **D14/126**

(58) **Field of Classification Search** ..... D14/125-135,  
D14/239, 379, 371, 374, 375, 376, 113; D13/151,  
D13/153; 312/7.2; 348/836, 838, 180, 184,  
348/325, 739; 341/12; 248/917-924; 345/104,  
345/133, 156, 168, 87, 173; 349/1, 2, 11,  
349/62

See application file for complete search history.

(56) **References Cited**

**U.S. PATENT DOCUMENTS**

D393,462 S \* 4/1998 Morimiya ..... D14/126

D417,659 S \* 12/1999 Takemasa ..... D14/126  
D424,538 S \* 5/2000 Hayashi et al. .... D14/126  
D458,237 S \* 6/2002 Niitsu ..... D14/126  
D472,532 S \* 4/2003 Niitsu ..... D14/126  
D475,356 S \* 6/2003 Niitsu ..... D14/126  
D476,632 S \* 7/2003 Inoue et al. .... D14/126  
6,837,469 B2 \* 1/2005 Wu et al. .... 248/278.1  
D524,764 S \* 7/2006 Inaba ..... D14/126

\* cited by examiner

*Primary Examiner*—Raphael Barkai

*Assistant Examiner*—Randall H. Gholson

(74) *Attorney, Agent, or Firm*—Birch, Stewart, Kolasch & Birch, LLP

(57) **CLAIM**

The ornamental design for a television, as shown.

**DESCRIPTION**

FIG. 1 is a front, right perspective view of the television showing our new design;  
FIG. 2 is a front view thereof;  
FIG. 3 is a rear view thereof;  
FIG. 4 is a left side view thereof;  
FIG. 5 is a right side view thereof;  
FIG. 6 is a top view thereof; and,  
FIG. 7 is a bottom view thereof.

**1 Claim, 4 Drawing Sheets**

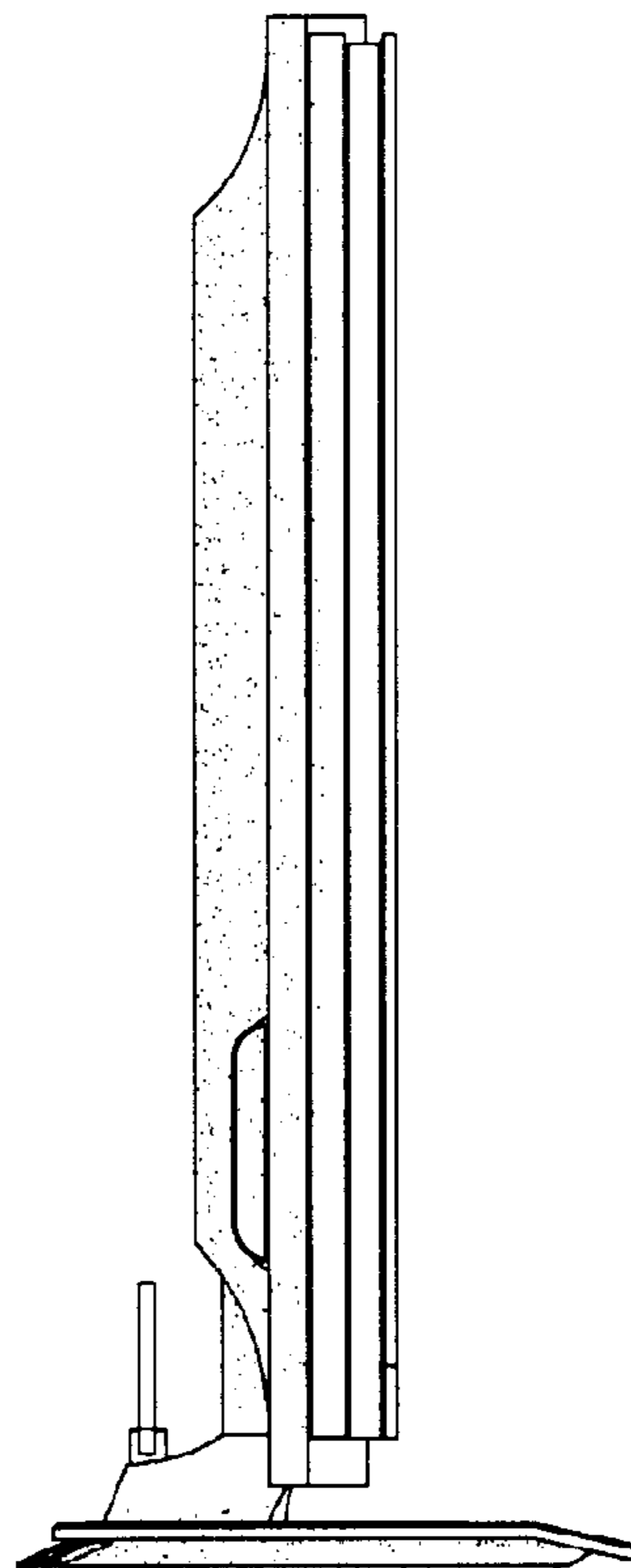


FIG. 1

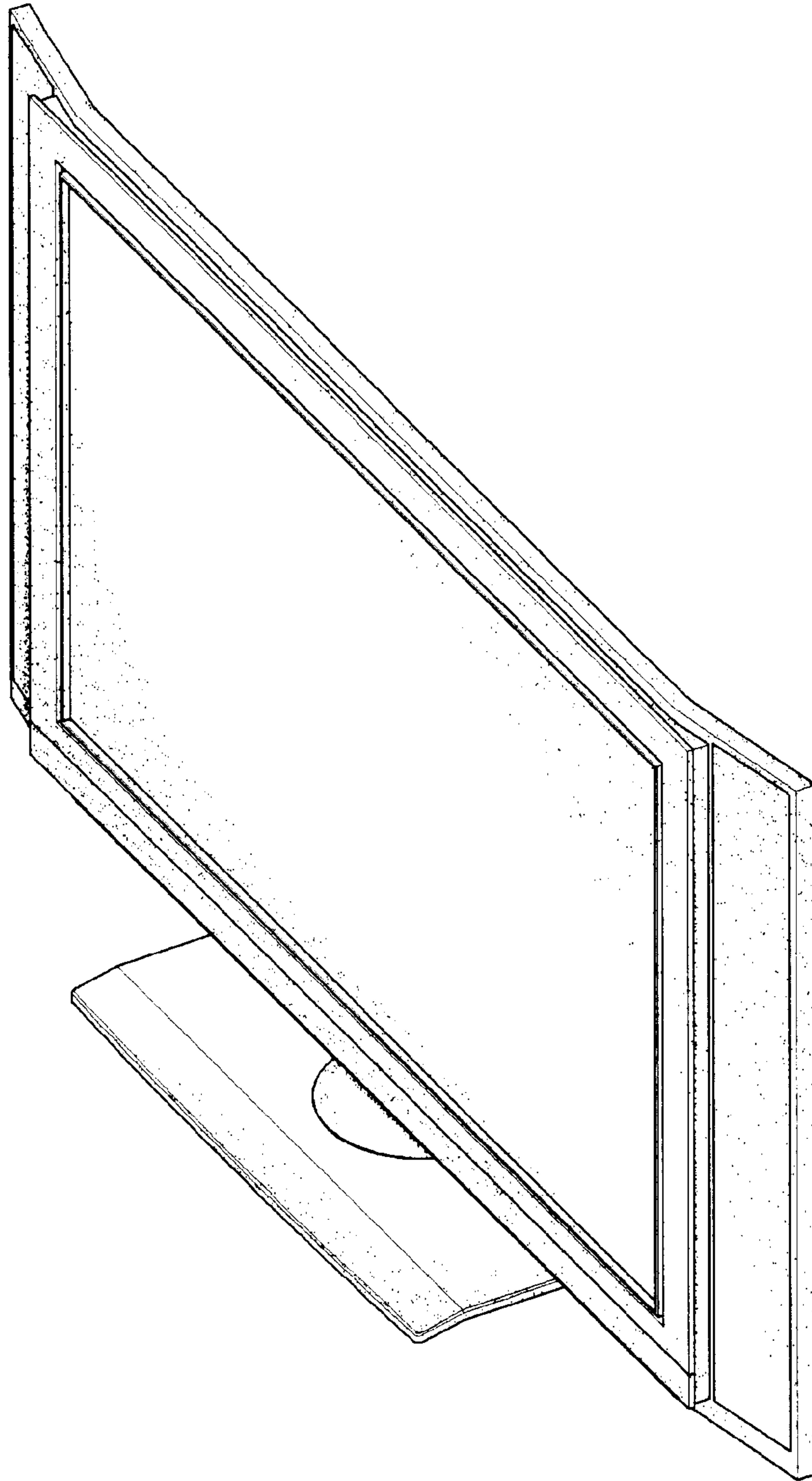


FIG. 2

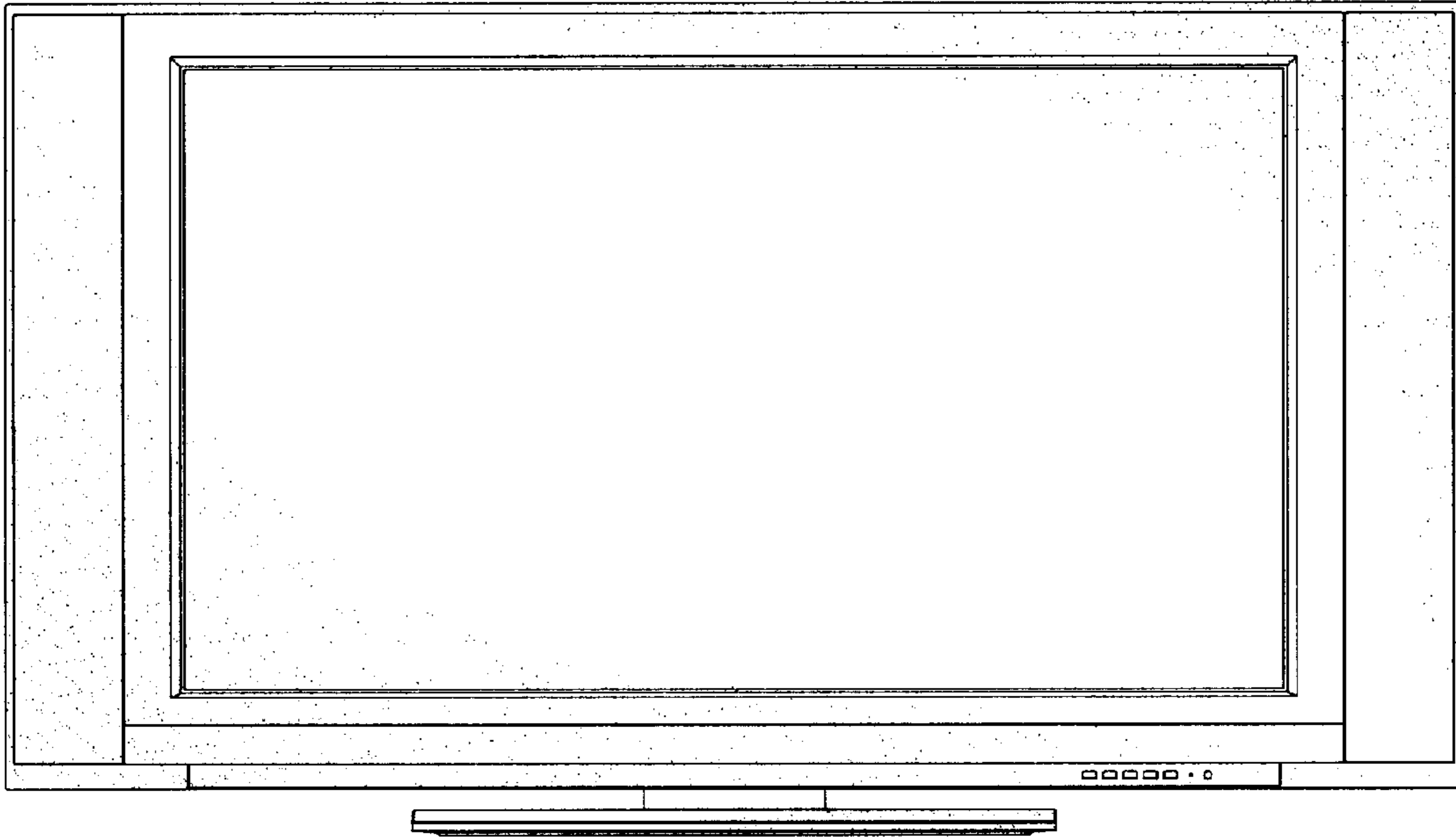


FIG. 3

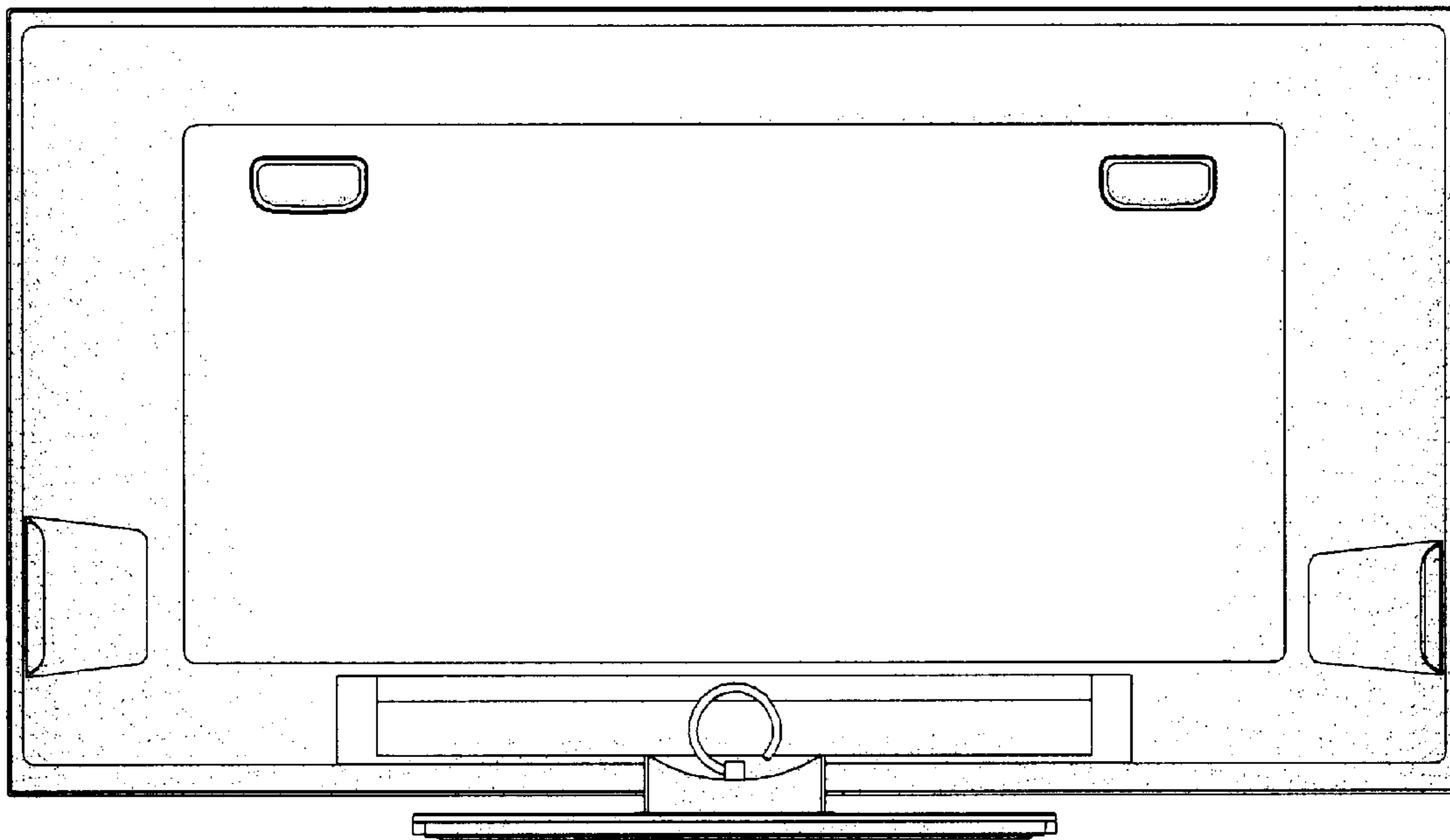


FIG. 4

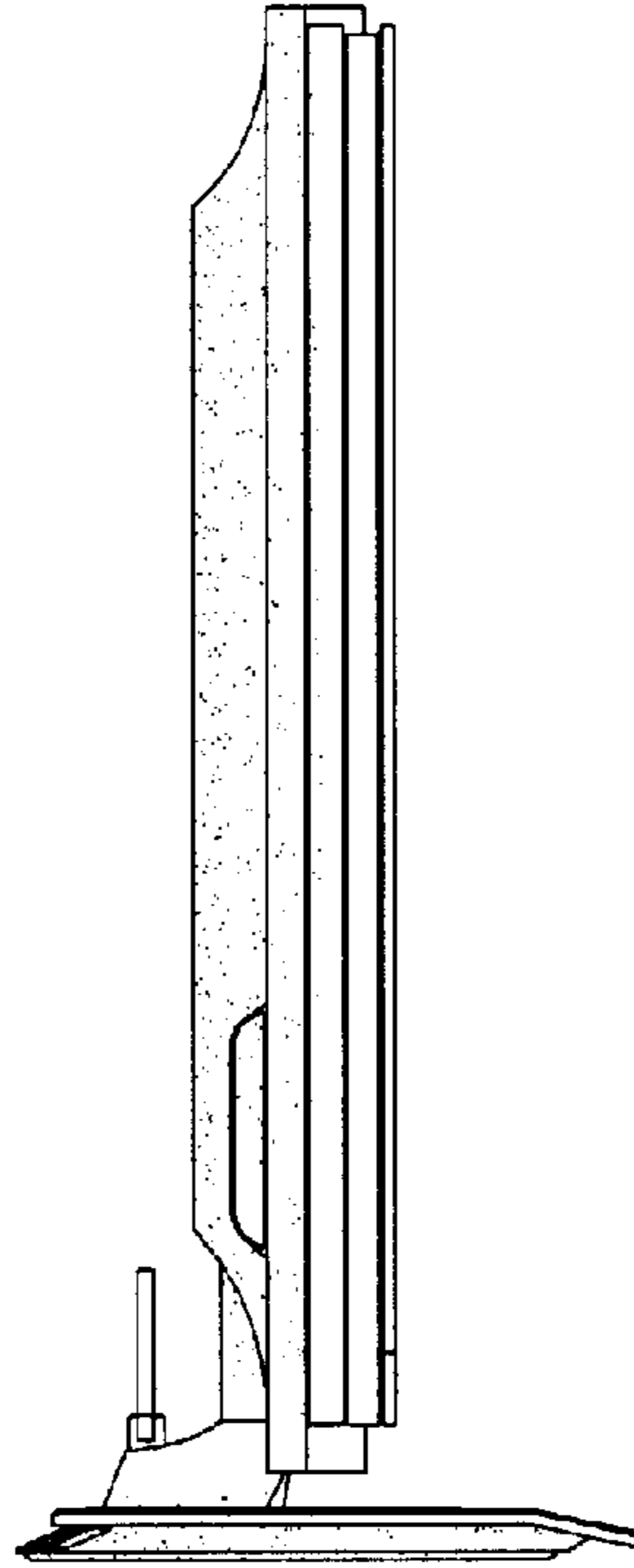


FIG. 5

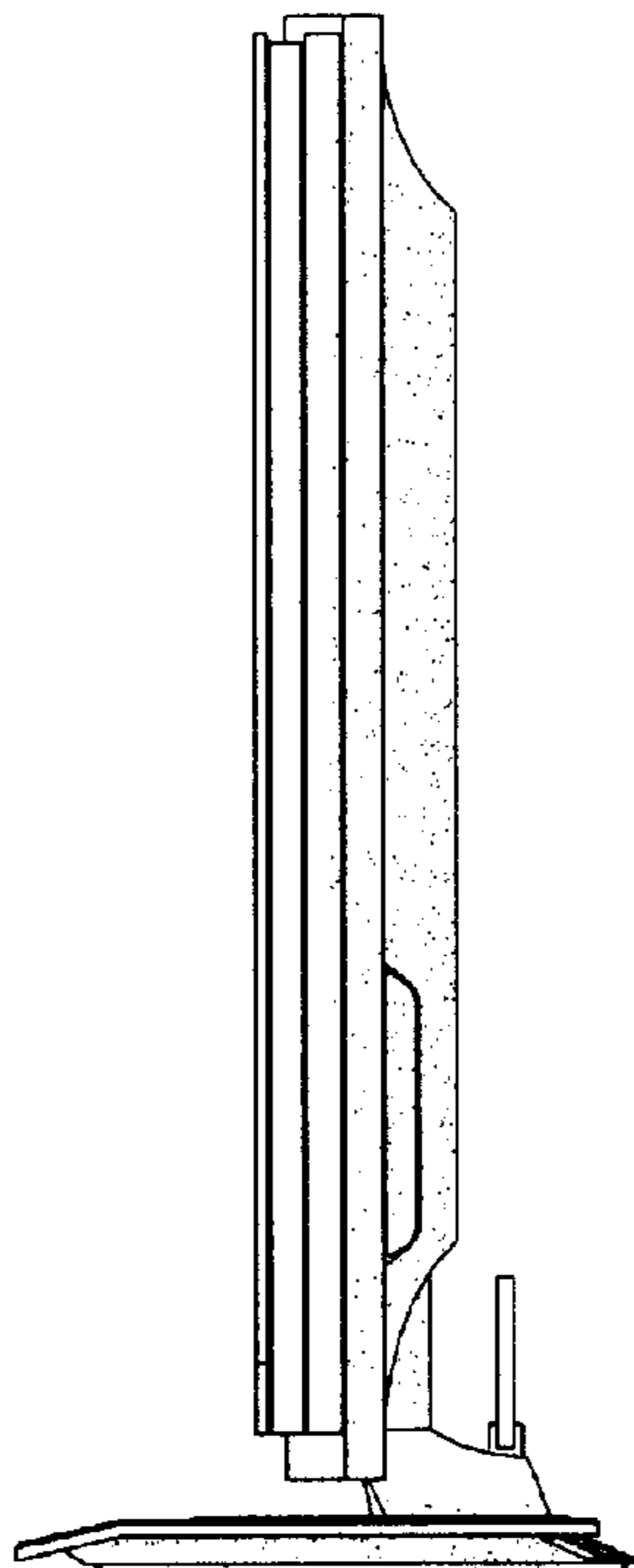


FIG. 6

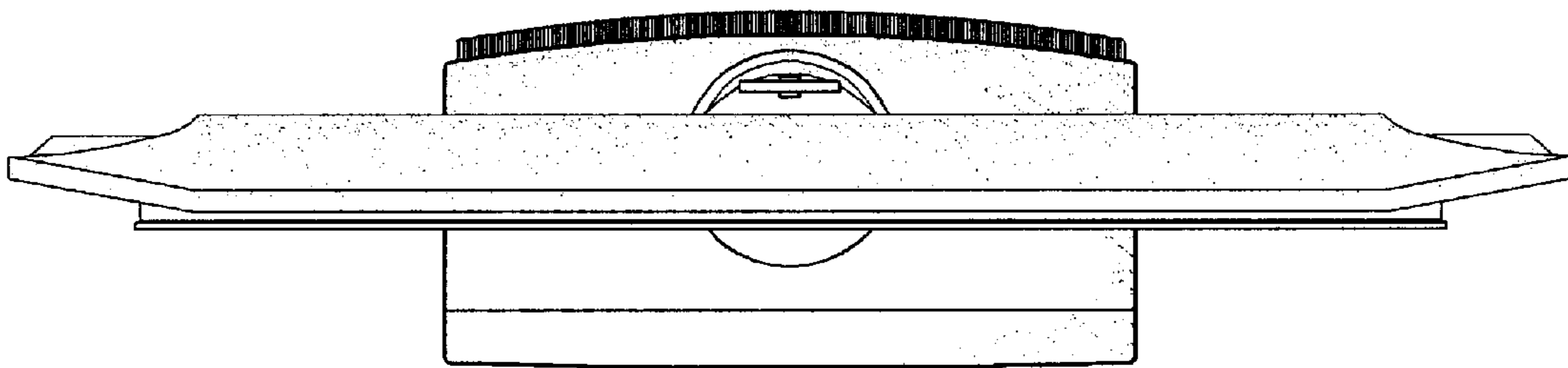


FIG. 7

