



US00D537419S

(12) **United States Design Patent**  
**McEachern et al.**

(10) **Patent No.:** **US D537,419 S**

(45) **Date of Patent:** **\*\* Feb. 27, 2007**

(54) **LIQUID CRYSTAL TELEVISION RECEIVER**

(75) Inventors: **Marc McEachern**, Tokyo (JP); **Karl Kamb**, Tokyo (JP)

(73) Assignee: **Hewlett-Packard Development Company, L.P.**, Houston, TX (US)

(\*\*) Term: **14 Years**

(21) Appl. No.: **29/218,498**

(22) Filed: **Dec. 2, 2004**

(51) **LOC (8) Cl.** ..... **14-03**

(52) **U.S. Cl.** ..... **D14/126**

(58) **Field of Classification Search** ..... D14/125-135,  
D14/239, 379, 371, 374, 375, 376, 113; D13/151,  
D13/153; 312/7.2; 348/836, 838, 180, 184,  
348/325, 739; 341/12; 248/917-924; 345/104,  
345/133, 156, 168, 87, 173; 349/1, 2, 11,  
349/62

See application file for complete search history.

(56) **References Cited**

**U.S. PATENT DOCUMENTS**

D417,659 S \* 12/1999 Takemasa ..... D14/374  
D431,537 S \* 10/2000 Saeki et al. .... D14/126

D432,102 S \* 10/2000 Arie ..... D14/126  
D439,900 S \* 4/2001 Baek ..... D14/374  
D463,431 S \* 9/2002 Yamamoto et al. .... D14/374  
D471,194 S \* 3/2003 Huang ..... D14/375  
D475,356 S \* 6/2003 Niitsu ..... D14/126  
D495,331 S \* 8/2004 Liu et al. .... D14/371  
D496,044 S \* 9/2004 Yong ..... D14/375  
D505,405 S \* 5/2005 Honda et al. .... D14/128

\* cited by examiner

*Primary Examiner*—Raphael Barkai  
*Assistant Examiner*—Randall H. Gholson

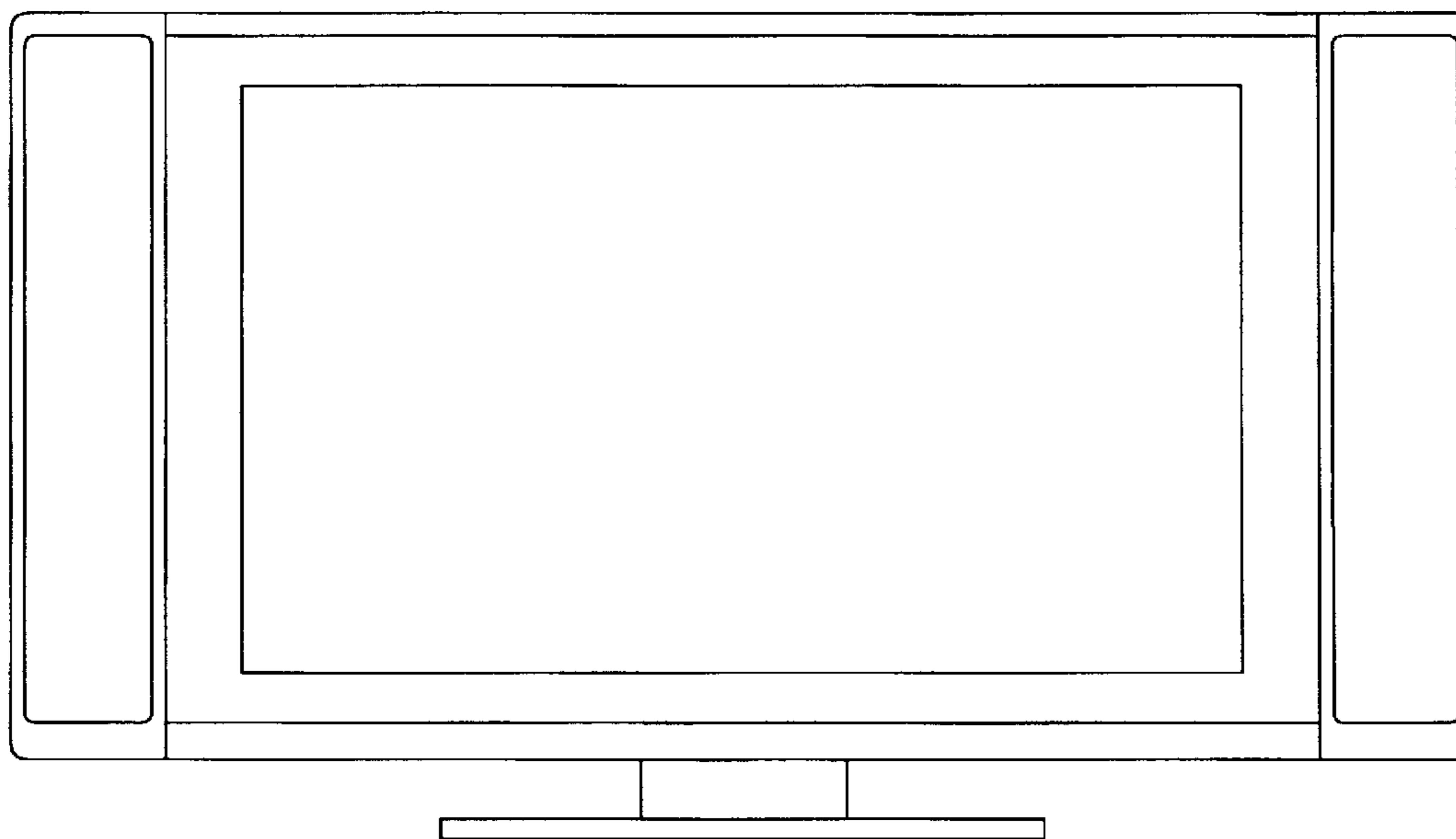
(57) **CLAIM**

We claim the ornamental design for a liquid crystal television receiver, as shown and described

**DESCRIPTION**

FIG. 1 is a FRONT ELEVATIONAL view of a liquid crystal television receiver tuner showing our new design;  
FIG. 2 is a TOP PLAN view thereof;  
FIG. 3 is a BOTTOM PLAN view thereof;  
FIG. 4 is a LEFT ELEVATIONAL SIDE view thereof;  
FIG. 5 is a RIGHT ELEVATIONAL SIDE view thereof; and,  
FIG. 6 is a BACK ELEVATIONAL view of the same.

**1 Claim, 5 Drawing Sheets**



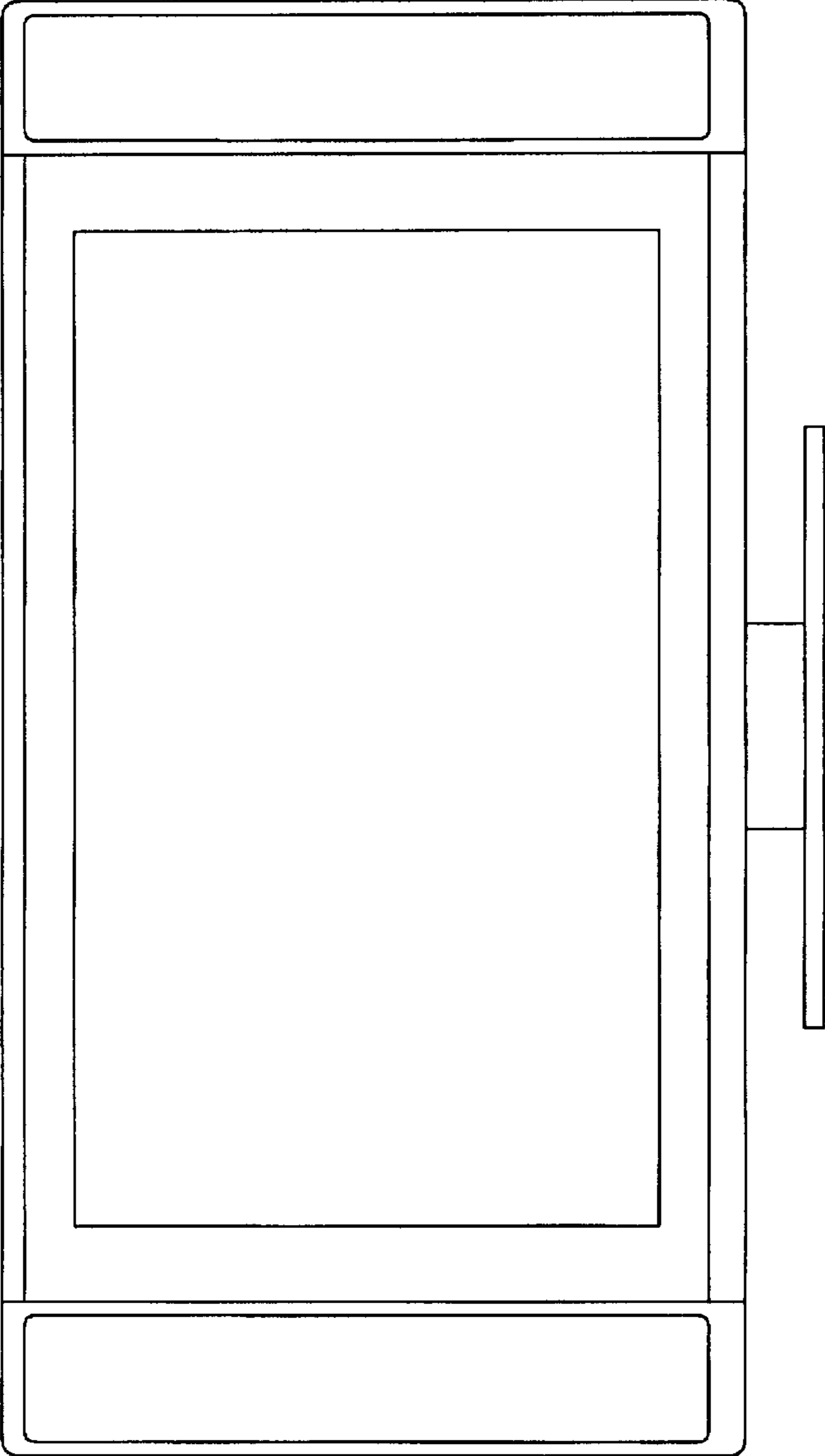


FIG. 1

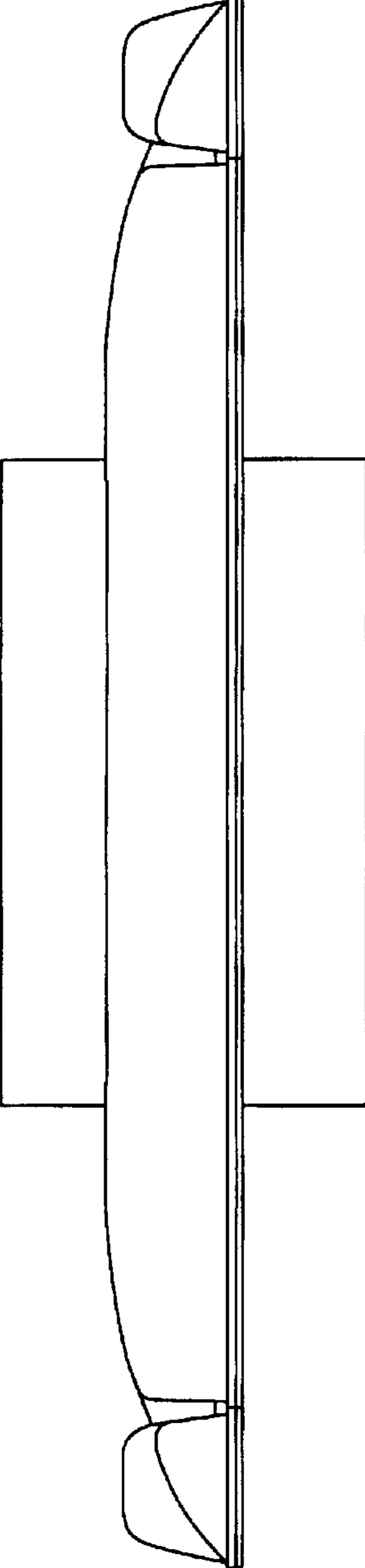


FIG. 2

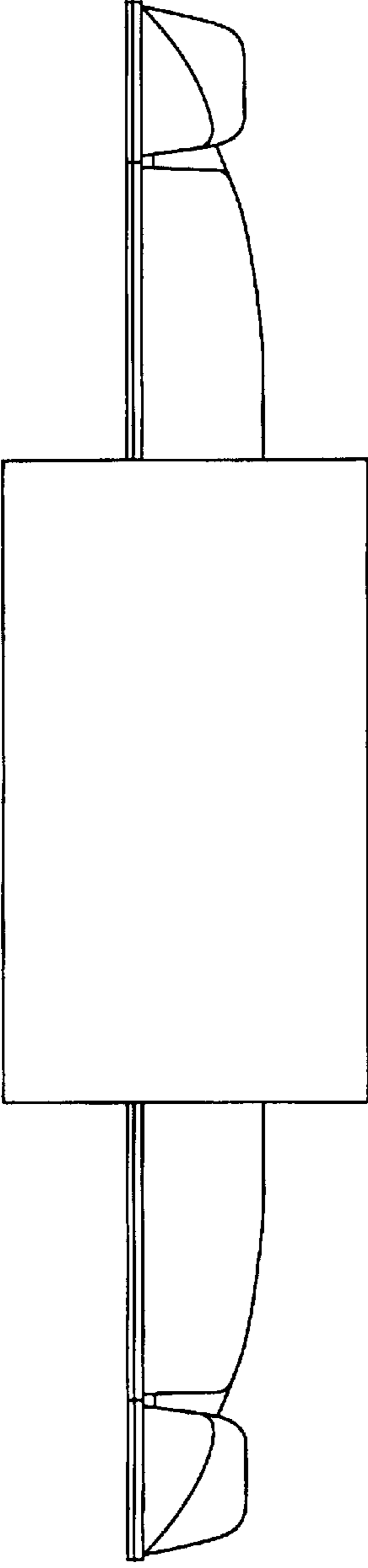


FIG. 3

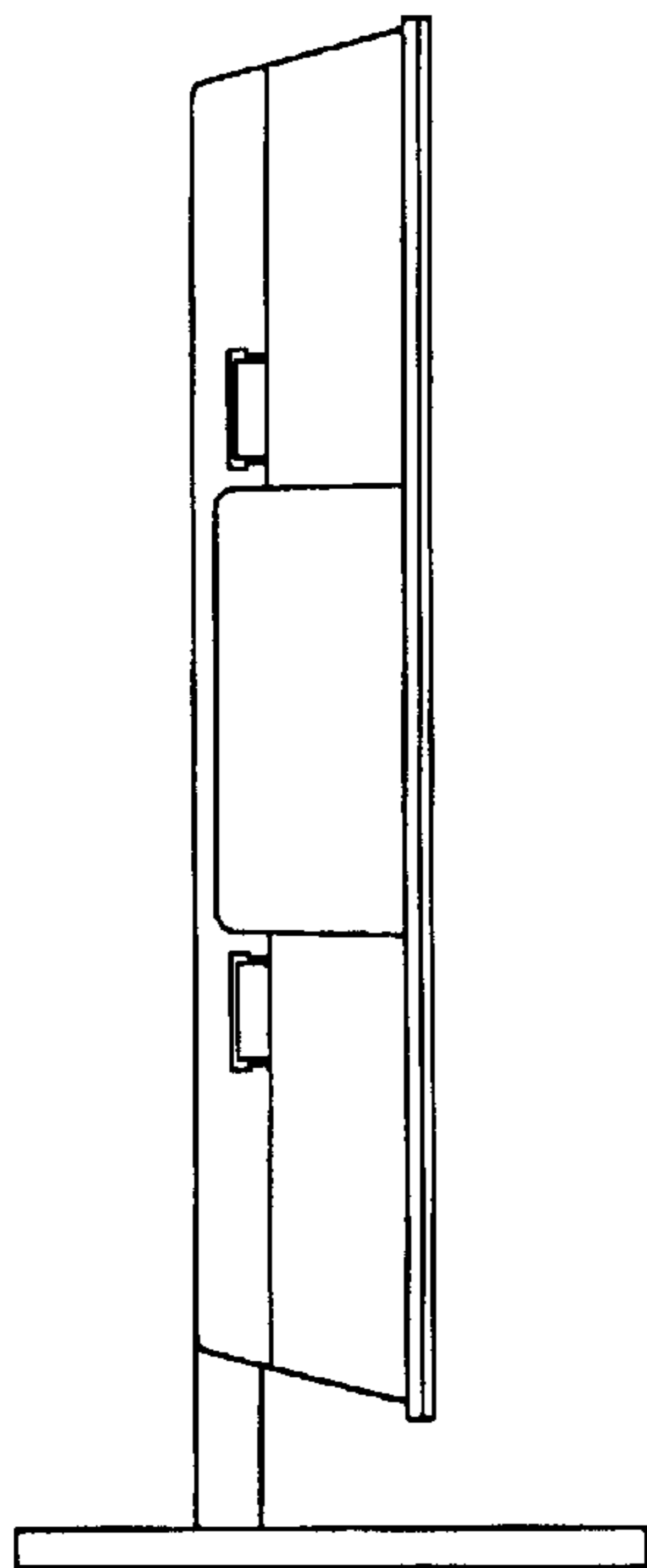


FIG. 4

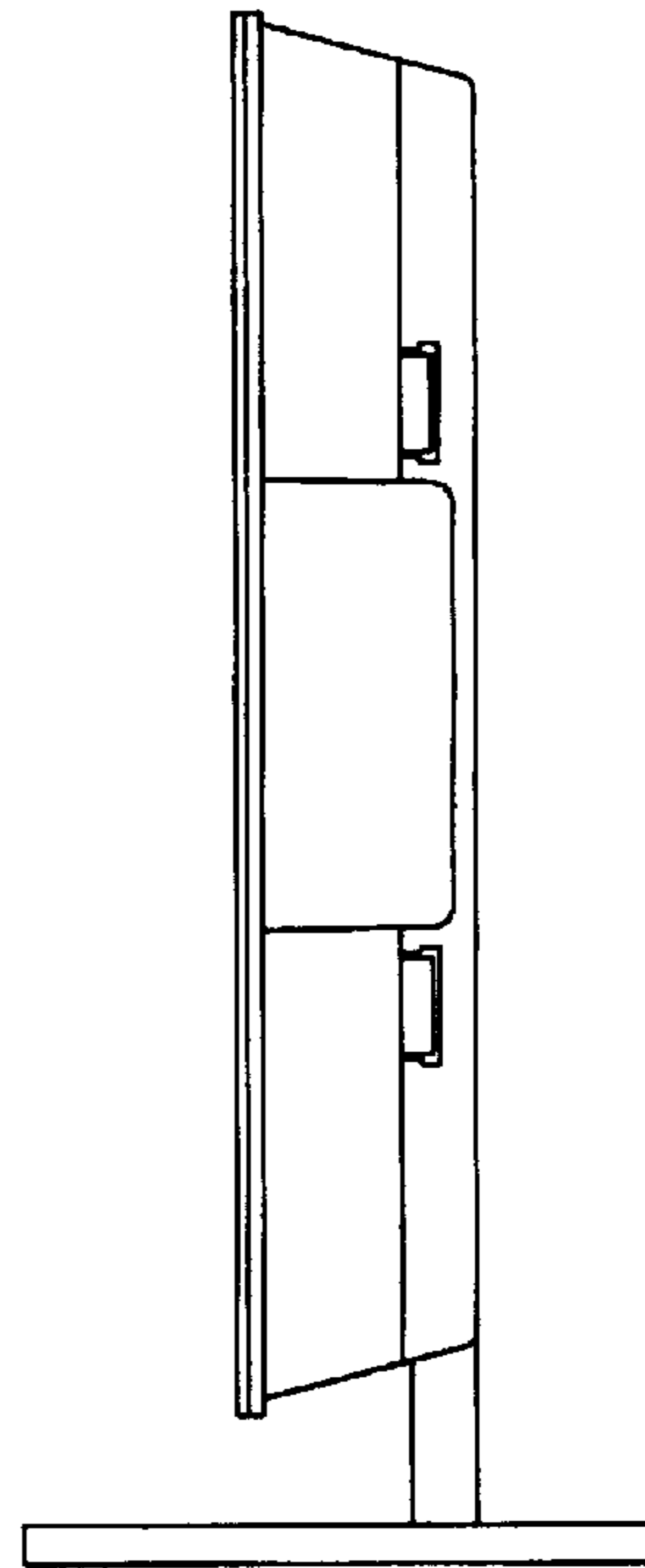


FIG. 5

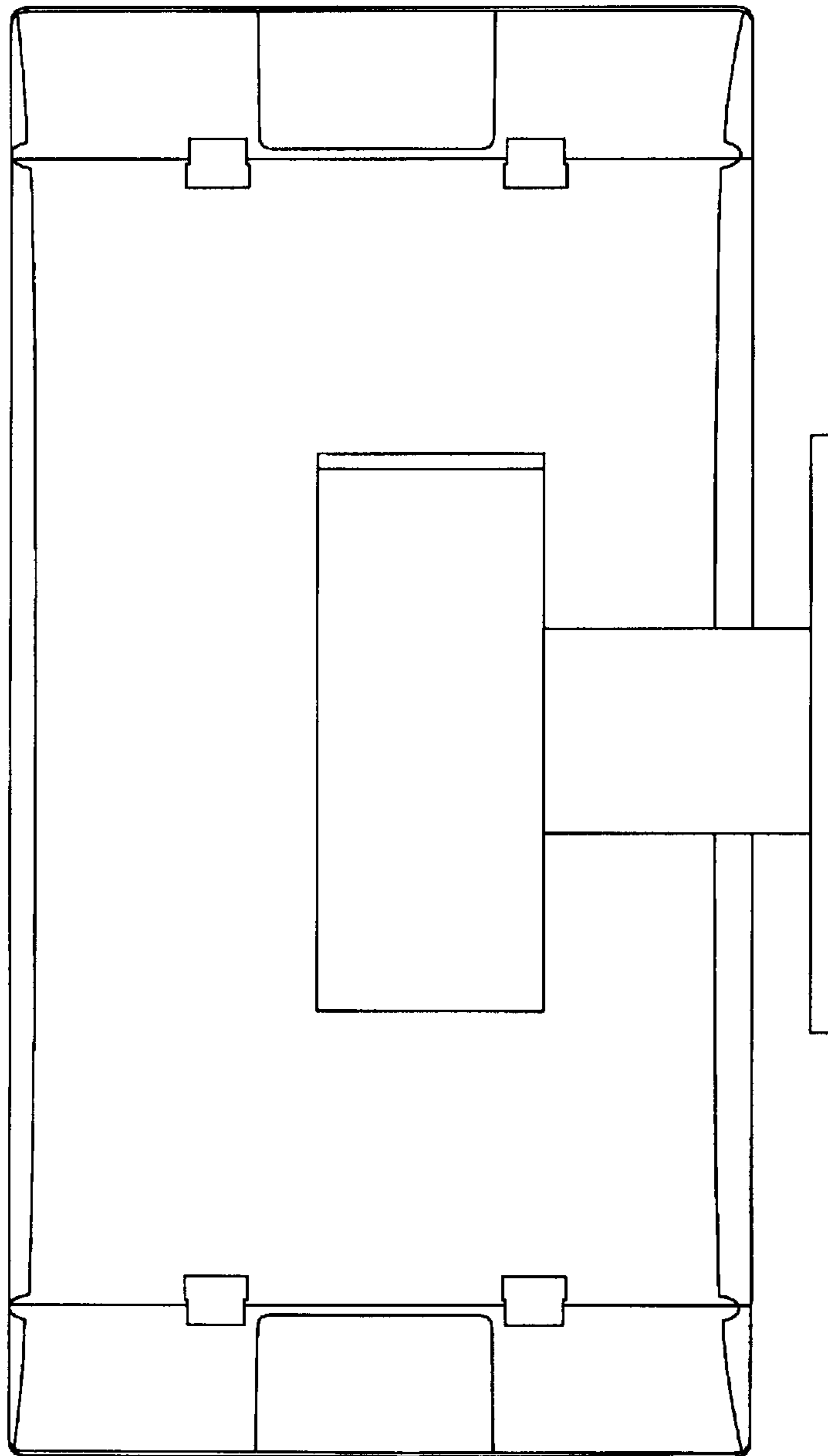


FIG. 6