

US00D537413S

(12) **United States Design Patent**
Fort et al.

(10) **Patent No.:** **US D537,413 S**

(45) **Date of Patent:** **** Feb. 27, 2007**

(54) **PORTION OF A GROUND FAULT
INTERRUPTER**

(75) Inventors: **Tucker H. Fort**, New York, NY (US);
Mark B. Greenwald, Westport, CT
(US); **Jean Claude Marcou**, Limoges
(FR); **Jay J. Mendelson**, Hartsdale, NY
(US); **Gunter A. Gallas**, Woodbury, NY
(US); **Gregory Moreinis**, Forest Hills,
NY (US); **Jeffrey J. Ausfeld**, New
York, NY (US); **Yuliy Rushansky**, Port
Washington, NY (US)

(73) Assignee: **Cooper Wiring Devices, Inc.**,
Peachtree City, GA (US)

(**) Term: **14 Years**

(21) Appl. No.: **29/260,159**

(22) Filed: **May 19, 2006**

Related U.S. Application Data

(60) Continuation of application No. 29/230,947, filed on May
26, 2005, now Pat. No. Des. 521,932, which is a division of
application No. 29/193,494, filed on Nov. 10, 2003, now Pat.
No. Des. 512,021.

(51) **LOC (8) Cl.** **13-03**

(52) **U.S. Cl.** **D13/139.6**

(58) **Field of Classification Search** .. D13/137.1-137.4,
D13/139.1-139.8; 174/50-51, 53-55, 58,
174/66-67

See application file for complete search history.

(56) **References Cited**

U.S. PATENT DOCUMENTS

D230,274 S * 2/1974 Pulos D13/139.6
D231,466 S * 4/1974 Pulos D13/139.6
D269,341 S * 6/1983 Doyle et al. D13/139.3
D269,430 S * 6/1983 Doyle et al. D13/139.3
D269,510 S * 6/1983 Doyle et al. D13/139.3
4,518,945 A 5/1985 Doyle et al.
4,595,894 A 6/1986 Doyle et al.
4,802,052 A 1/1989 Brant et al.

D318,848 S * 8/1991 Scholl D13/139.3
5,594,398 A 1/1997 Marcou et al.
5,933,063 A 8/1999 Keung et al.
D413,862 S * 9/1999 Huang et al. D13/139.3
D419,531 S * 1/2000 Keung et al. D13/160
6,040,967 A 3/2000 DiSalvo
D430,539 S * 9/2000 Leopold et al. D13/139.3
D432,990 S 10/2000 Stekelenburg
6,184,466 B1 * 2/2001 Eder et al. 174/53
D462,660 S * 9/2002 Huang et al. D13/139.3

(Continued)

OTHER PUBLICATIONS

Installation and Operating Instructions for IMPRESSIONS
3-Key Incandescent Touch Dimmers, Pass & Seymour, May
1992.

IMPRESSIONS, Electrical Wiring Devices and Accessories,
particularly GFCIs, Pass & Seymour, Apr. 1991.

Catalog for LEVITON Wiring Devices for Construction and
maintenance, Leviton Manufacturing Co., Inc., 2000.

LURTON Residential Lighting Controls Catalog, pp. 70-73,
Lutron Electronics Co., Inc., 2001.

Primary Examiner—Alan P. Douglas

Assistant Examiner—Rosemary K. Tarcza

(74) *Attorney, Agent, or Firm*—SAIDMAN DesignLaw
Group

(57) **CLAIM**

The ornamental design for a portion of a ground fault
interrupter, as shown and described.

DESCRIPTION

FIG. 1 is a front, bottom and right side perspective view of
the design;

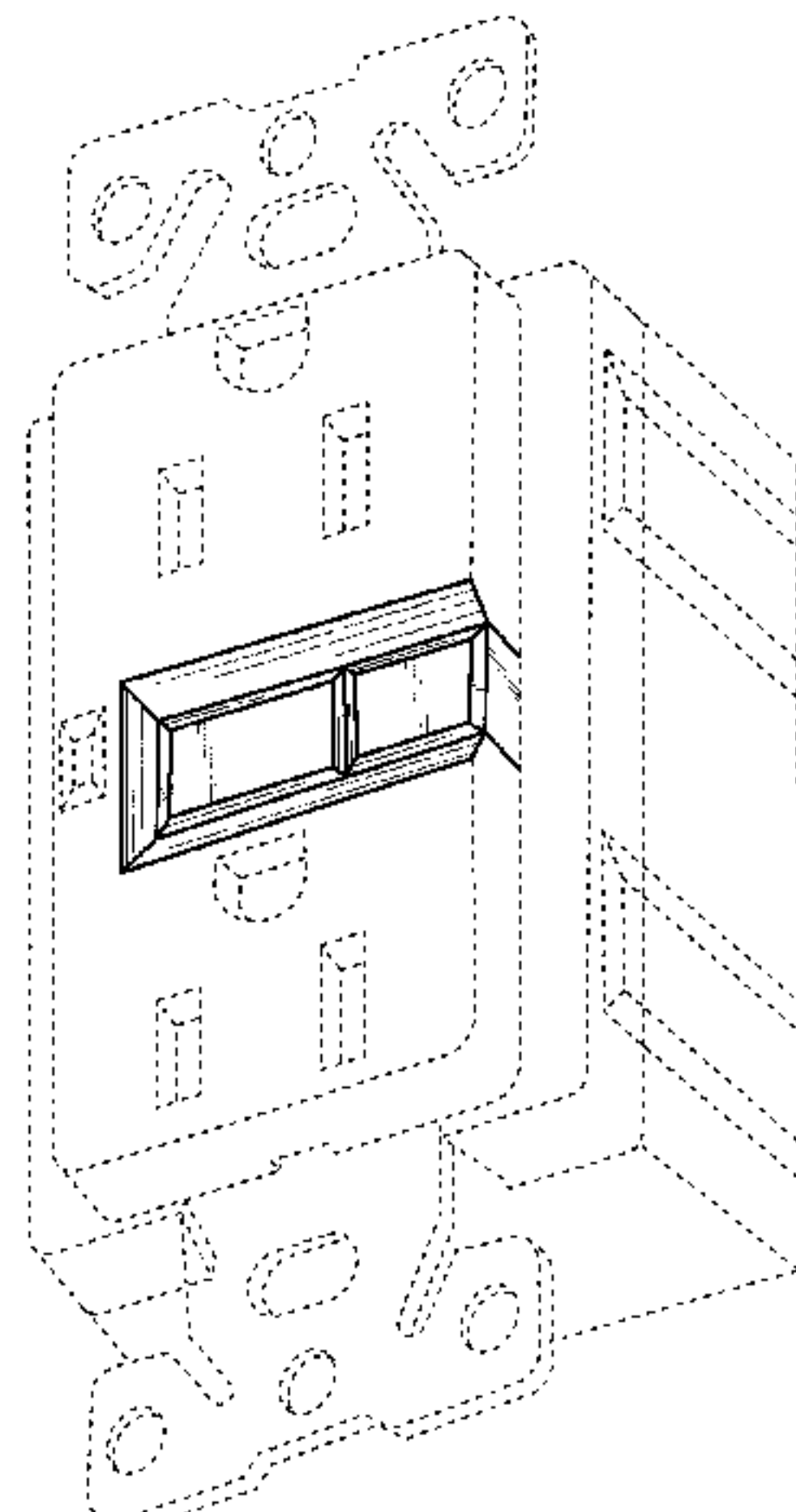
FIG. 2 is a front view thereof;

FIG. 3 is a right side view thereof; and,

FIG. 4 is a front, bottom and right side perspective view of
an alternative example of the design.

In all of the views, the dotted lines are for environmental
purposes only and form no part of the claimed design. The
rear is not part of the claimed design.

1 Claim, 3 Drawing Sheets



US D537,413 S

Page 2

U.S. PATENT DOCUMENTS			
D462,661 S	9/2002	Owens	
D470,108 S *	2/2003	Daoxian et al.	D13/139.3
6,515,564 B2	2/2003	Leopold et al.	
D486,792 S	2/2004	Stoughton	
D494,139 S *	8/2004	Allen, Jr.	D13/139.3
D512,021 S	11/2005	Fort et al.	
D515,505 S	2/2006	Lin	
D521,932 S	5/2006	Fort et al.	

* cited by examiner

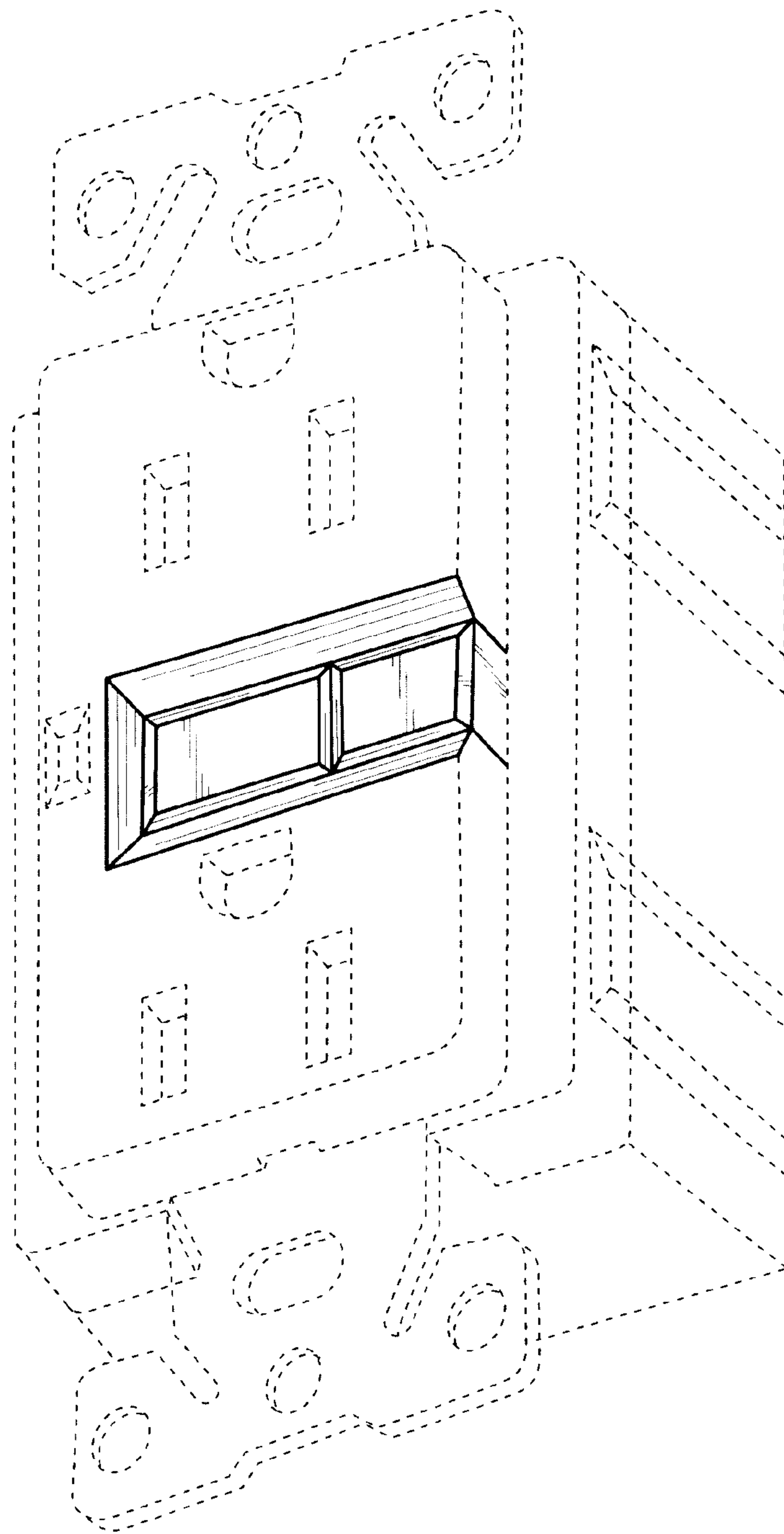


Fig. 1

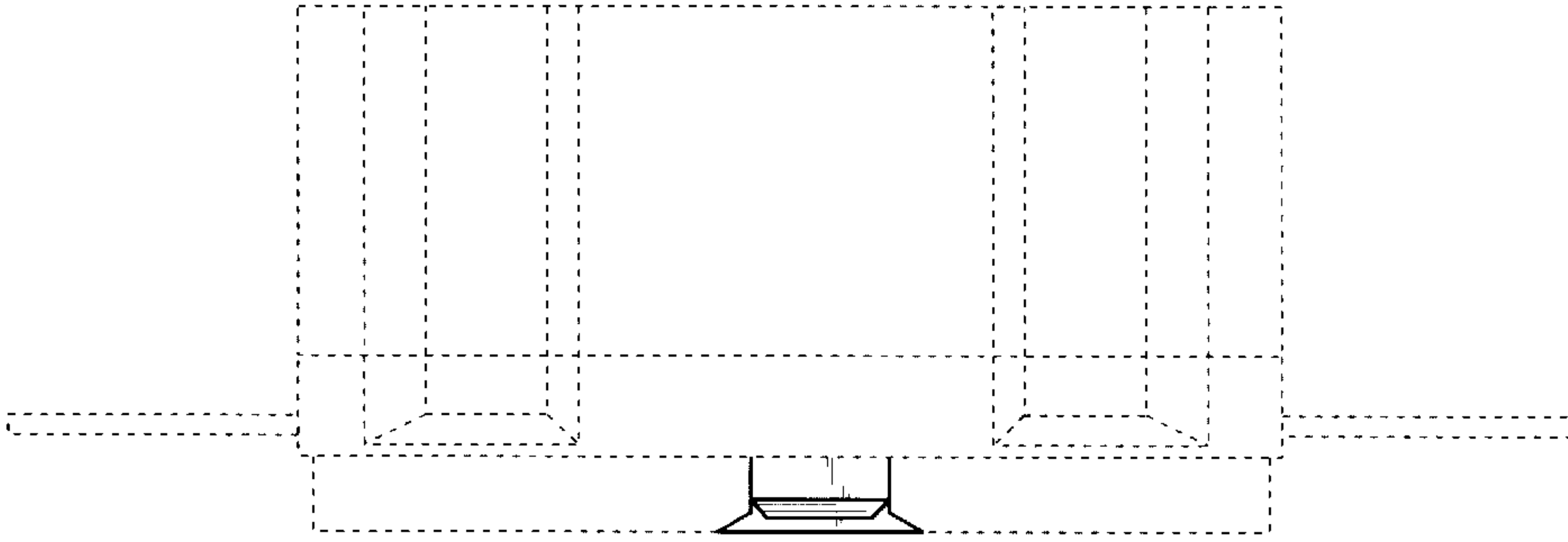


Fig. 3

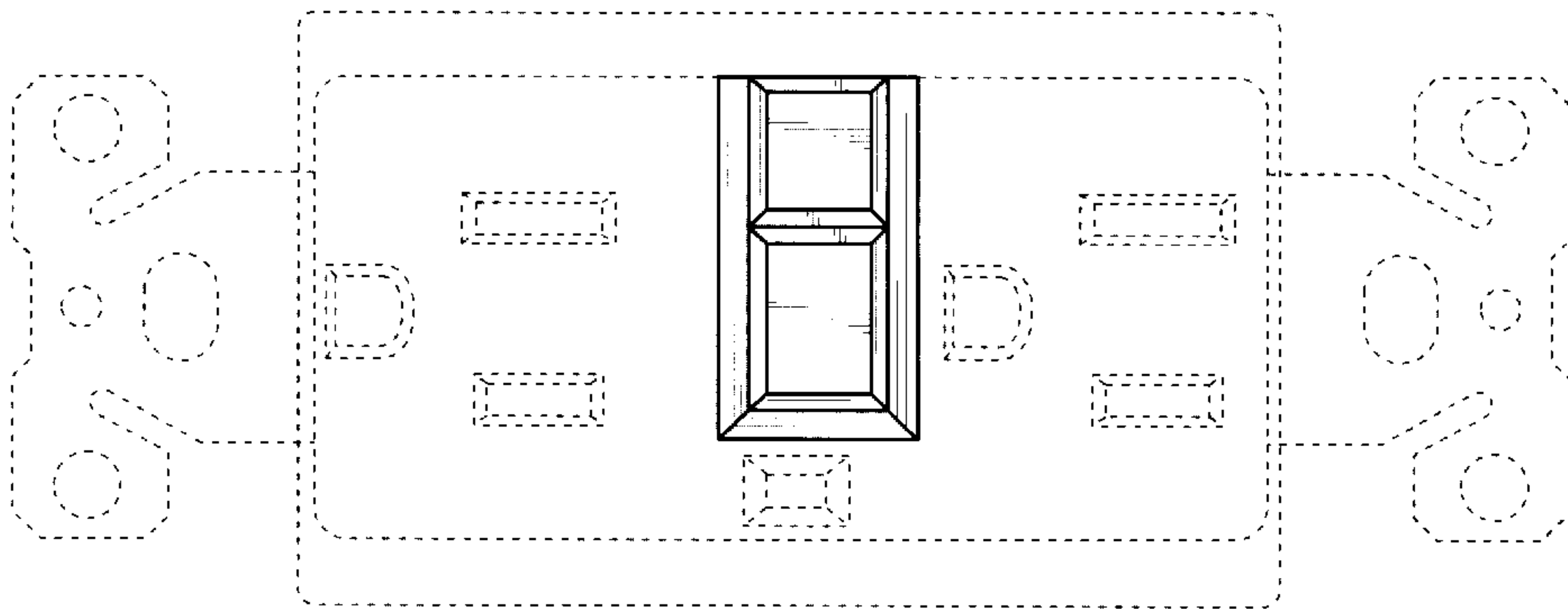


Fig. 2

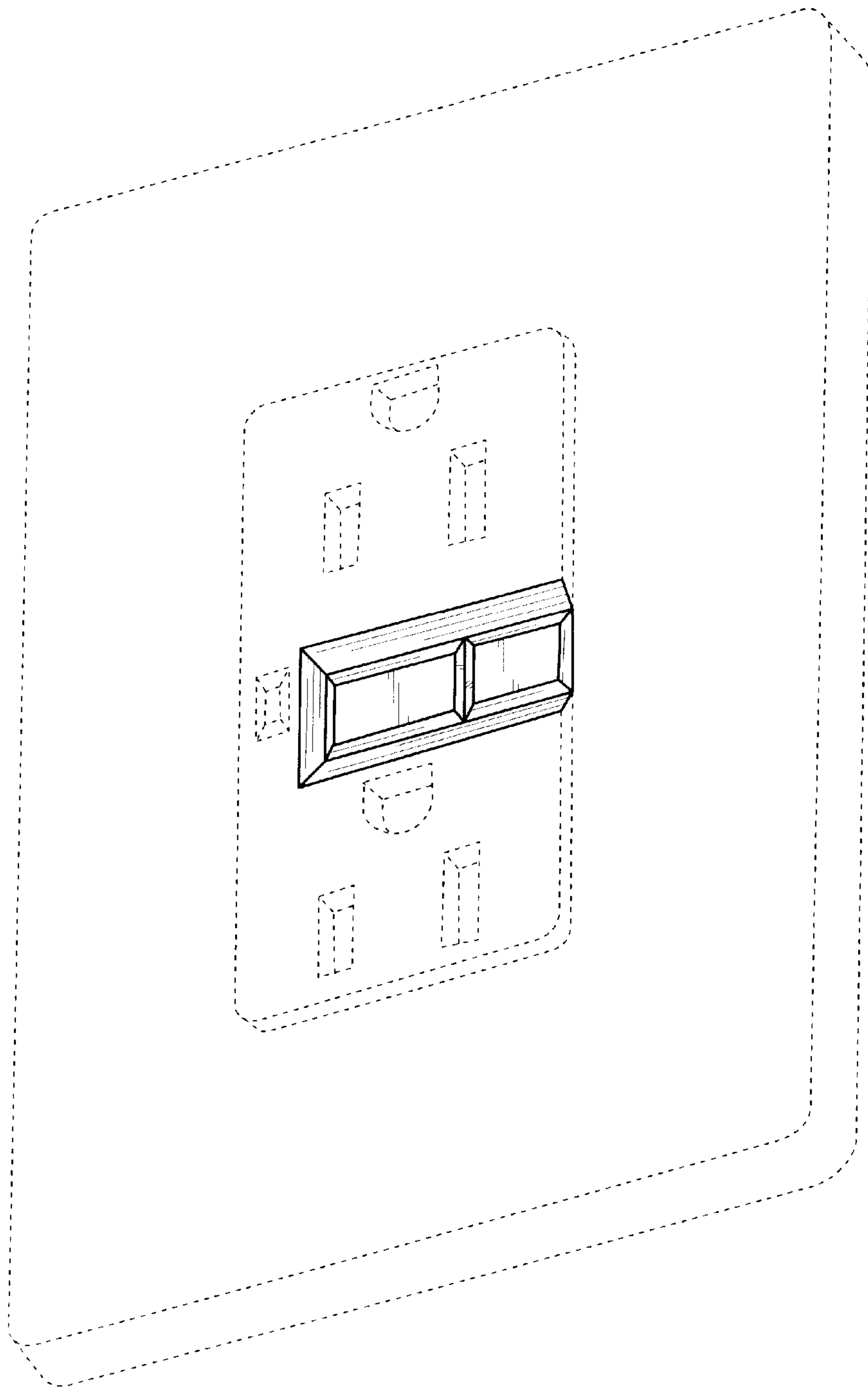


Fig. 4