



US00D537412S

(12) **United States Design Patent** (10) **Patent No.:** **US D537,412 S**
Tsai et al. (45) **Date of Patent:** **** Feb. 27, 2007**

(54) **TOP SHELL OF BATTERY PACK FOR POWER TOOL**
(75) Inventors: **Kim Y. C. Tsai**, Taichung Hsien (TW);
Cheng-I Teng, Taichung County (TW);
Chien-Jen Li, Taichung County (JP)

(73) Assignee: **Mobiletron Electronics Co., Ltd.**,
Taichung Hsien (TW)

(**) Term: **14 Years**

(21) Appl. No.: **29/251,921**

(22) Filed: **Jan. 17, 2006**

(51) **LOC (8) Cl.** **13-02**

(52) **U.S. Cl.** **D13/119**

(58) **Field of Classification Search** D13/102-106,
D13/110, 118-119, 184; 429/96-100, 163,
429/176

See application file for complete search history.

(56) **References Cited**

U.S. PATENT DOCUMENTS

D306,573 S	*	3/1990	Schultz	D13/103
D306,574 S	*	3/1990	Schultz	D13/103
D321,338 S	*	11/1991	Sakamoto et al.	D13/103
D345,543 S	*	3/1994	Elliott	D13/119
D368,067 S	*	3/1996	Okumura	D13/103

D384,639 S	*	10/1997	Kawakami et al.	D13/103
D387,728 S	*	12/1997	Kawakami et al.	D13/103
D397,991 S	*	9/1998	Kawakami et al.	D13/103
D412,485 S	*	8/1999	Kato et al.	D13/103
D417,648 S	*	12/1999	Clowers et al.	D13/103
D432,077 S	*	10/2000	Zurwelle et al.	D13/103
D474,445 S	*	5/2003	Matsuoka et al.	D13/103
D504,111 S	*	4/2005	Ozawa et al.	D13/103

* cited by examiner

Primary Examiner—Alan P. Douglas

Assistant Examiner—Rosemary K. Tarcza

(74) *Attorney, Agent, or Firm*—Bacon & Thomas, PLLC

(57) **CLAIM**

The ornamental design for a top shell of battery pack for power tool, as shown.

DESCRIPTION

FIG. 1 shows a perspective view of the present design.

FIG. 2 shows a right side elevational view of the present design.

FIG. 3 shows a top plan view of the present design.

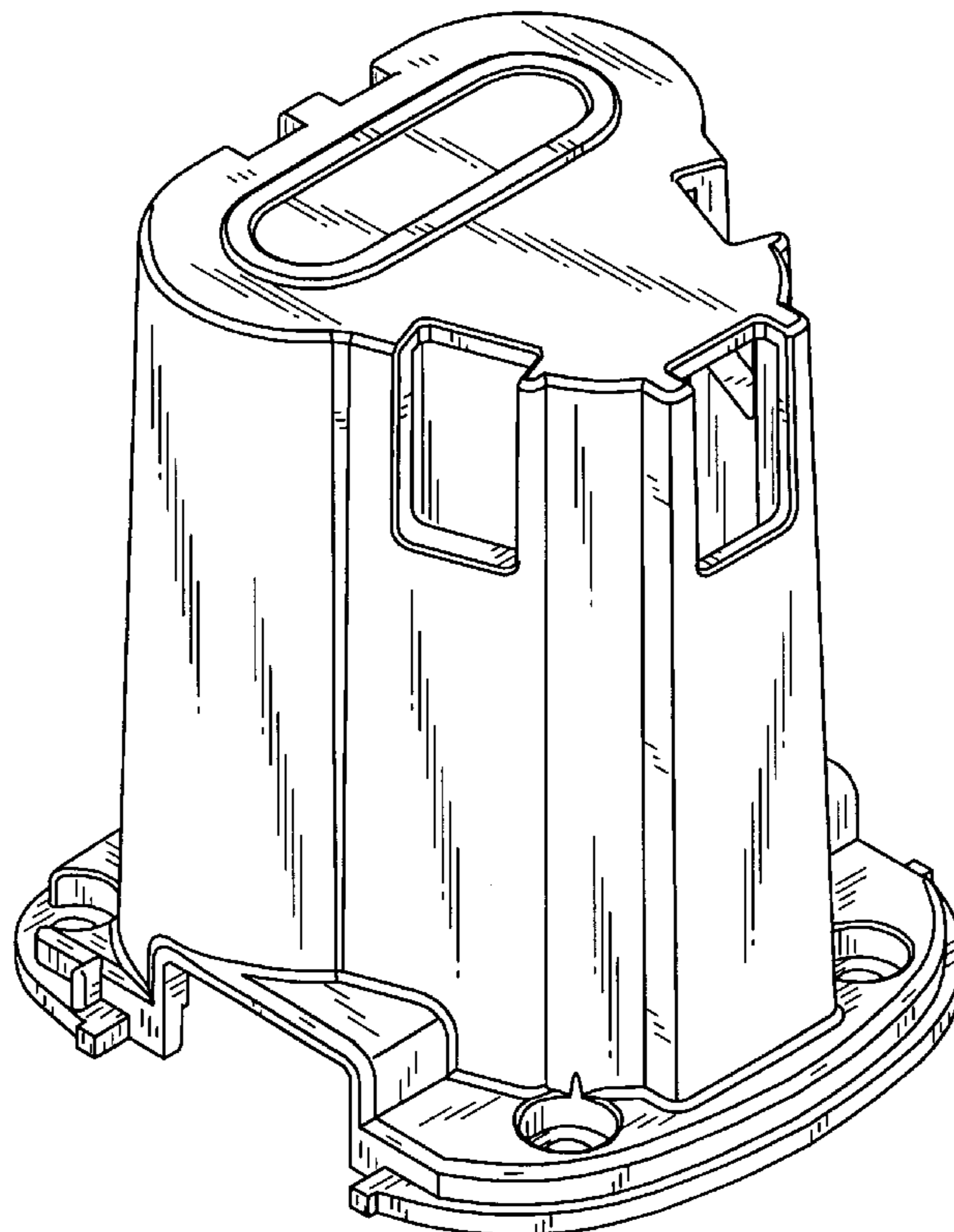
FIG. 4 shows a front elevational view of the present design.

FIG. 5 shows a bottom plan view of the present design.

FIG. 6 shows a left side elevational view of the present design; and,

FIG. 7 shows a rear elevational view of the present design.

1 Claim, 4 Drawing Sheets



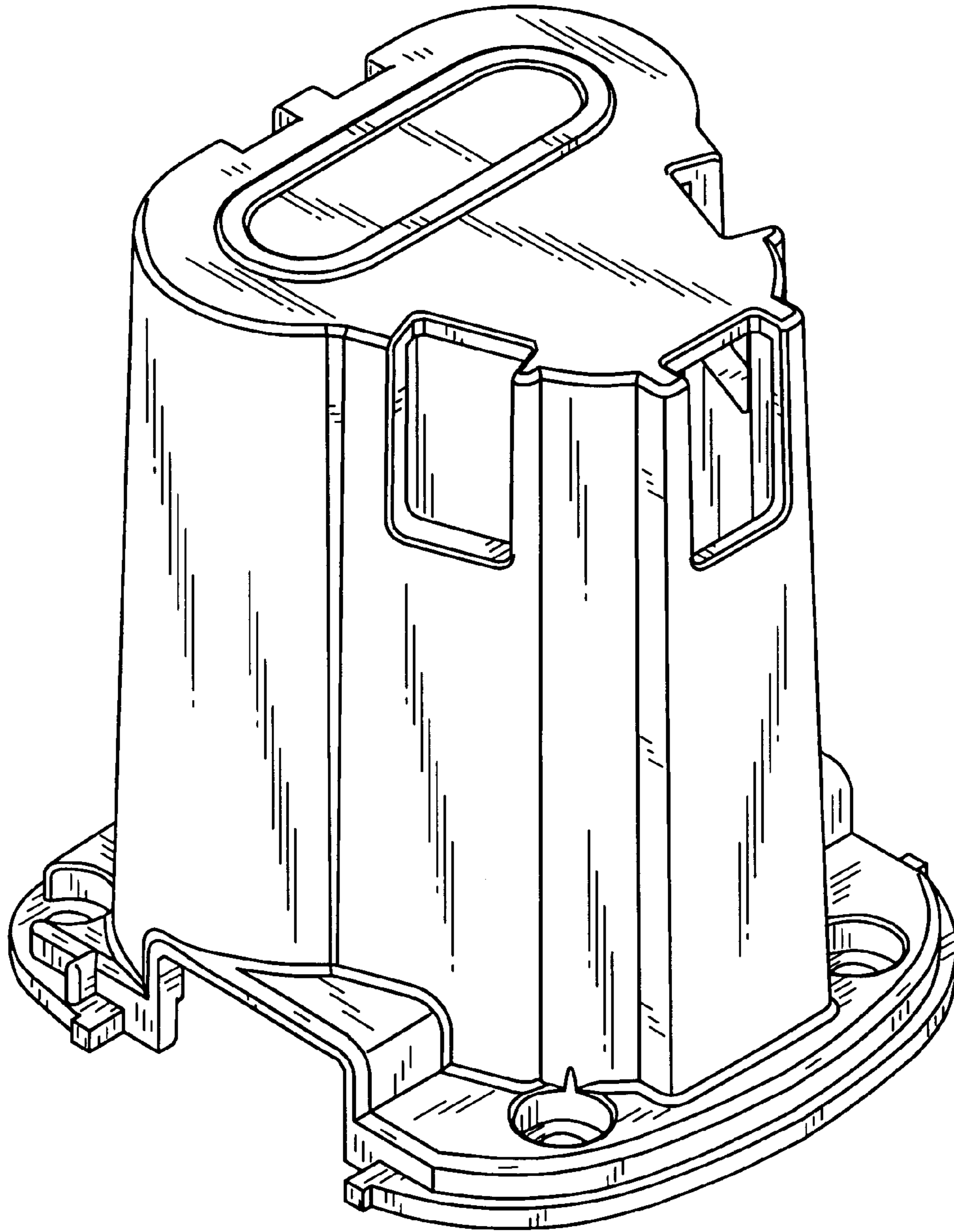


FIG. 1

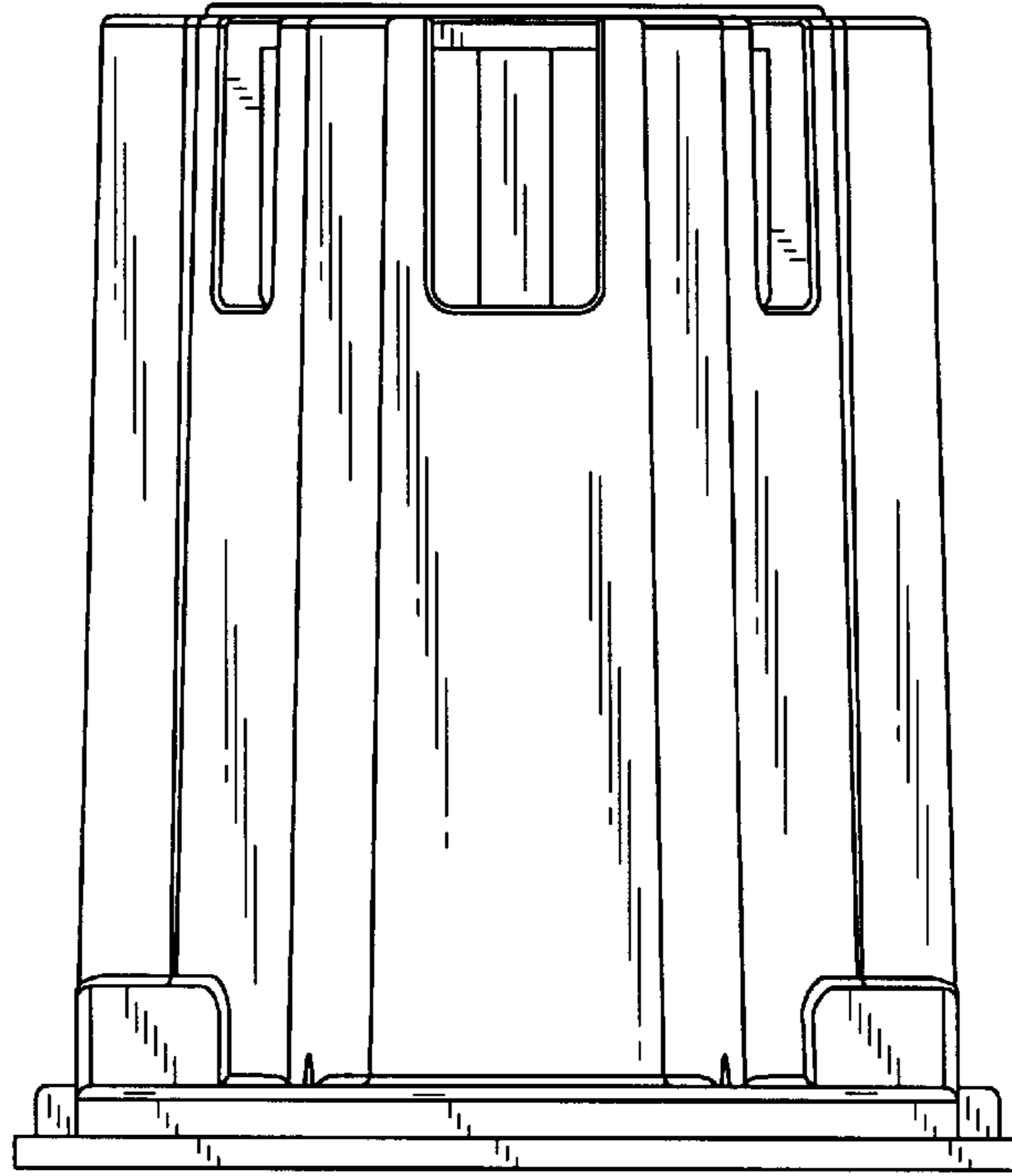


FIG. 2

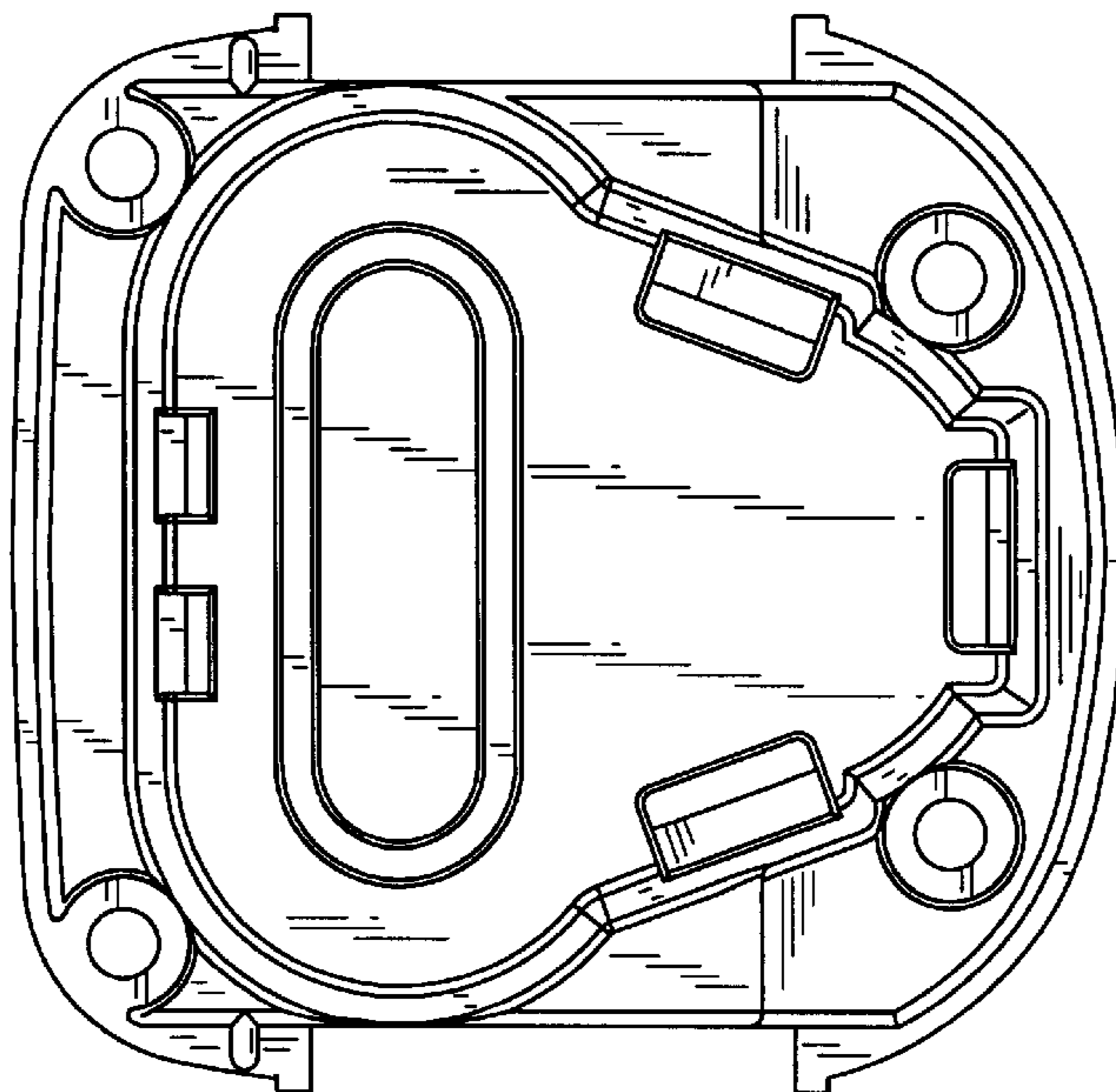


FIG. 3

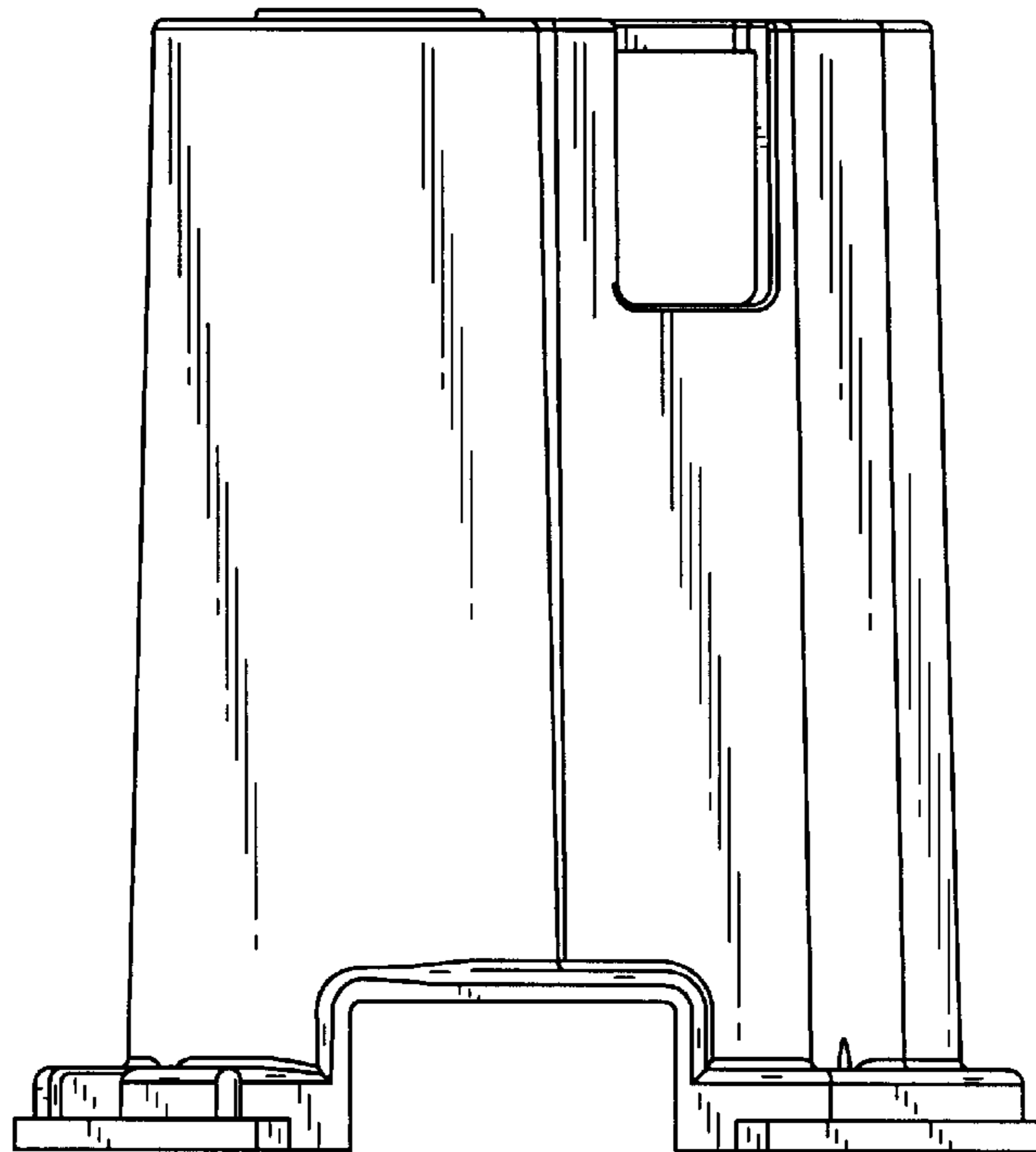


FIG. 4

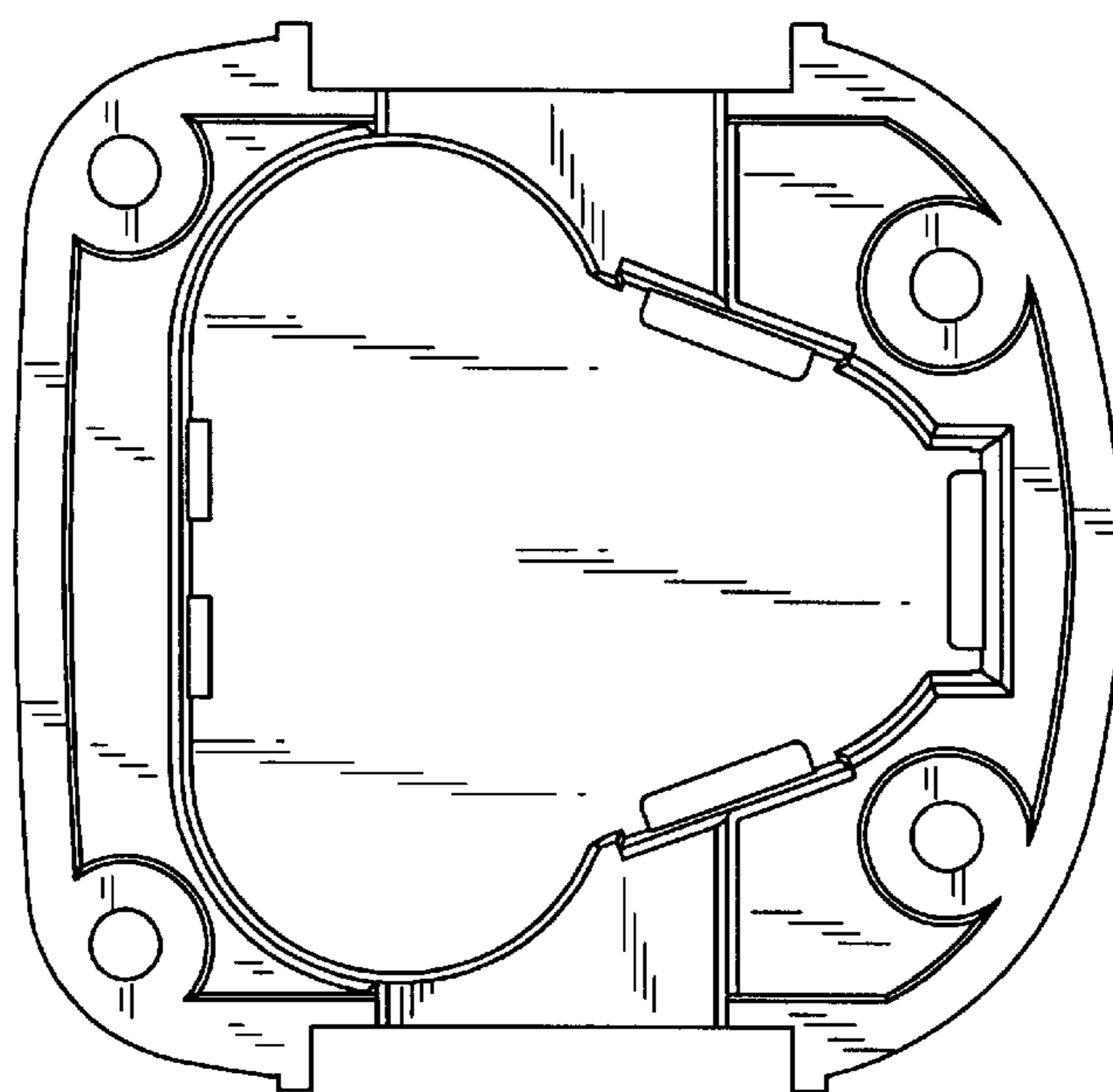


FIG. 5

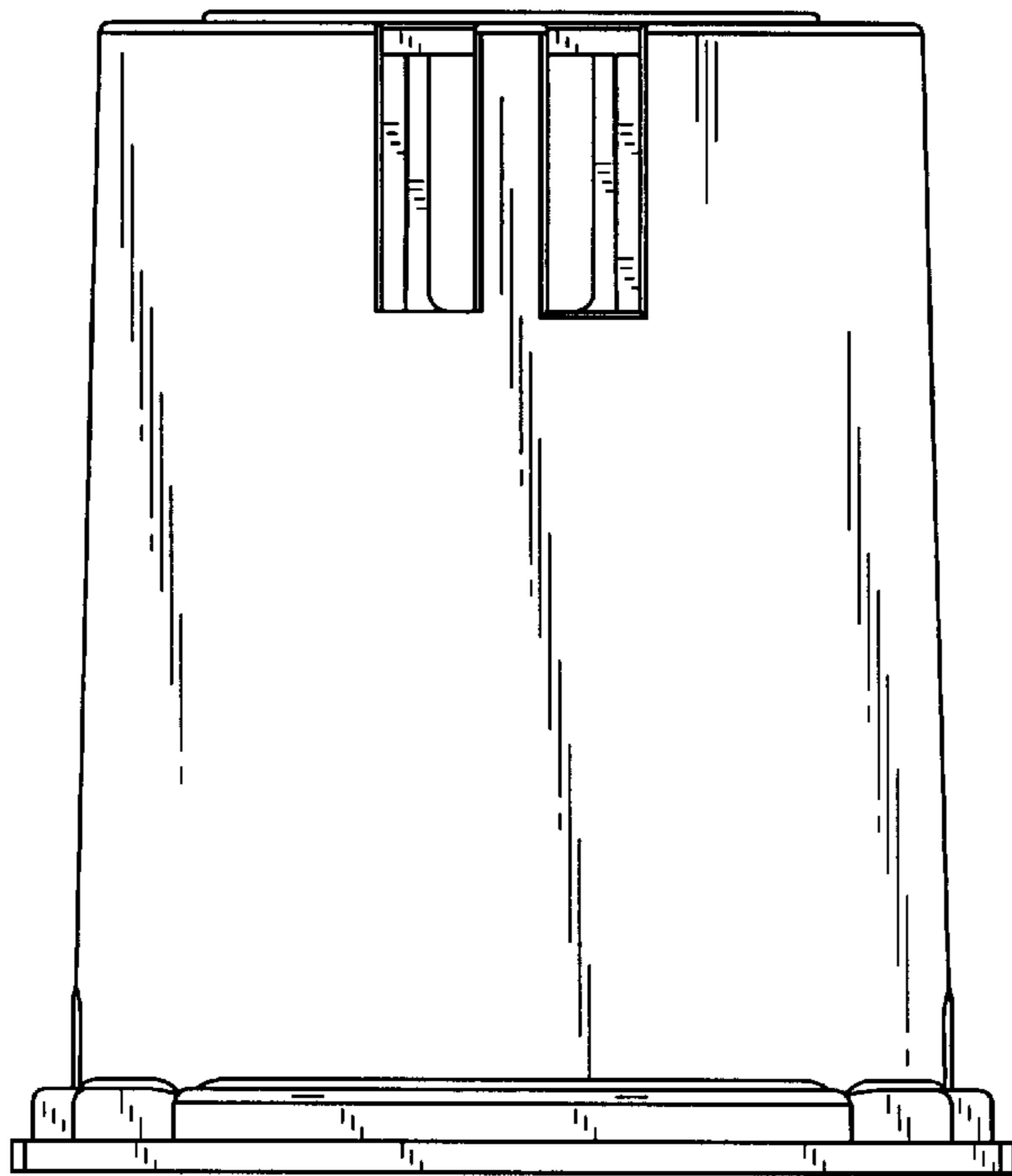


FIG. 6

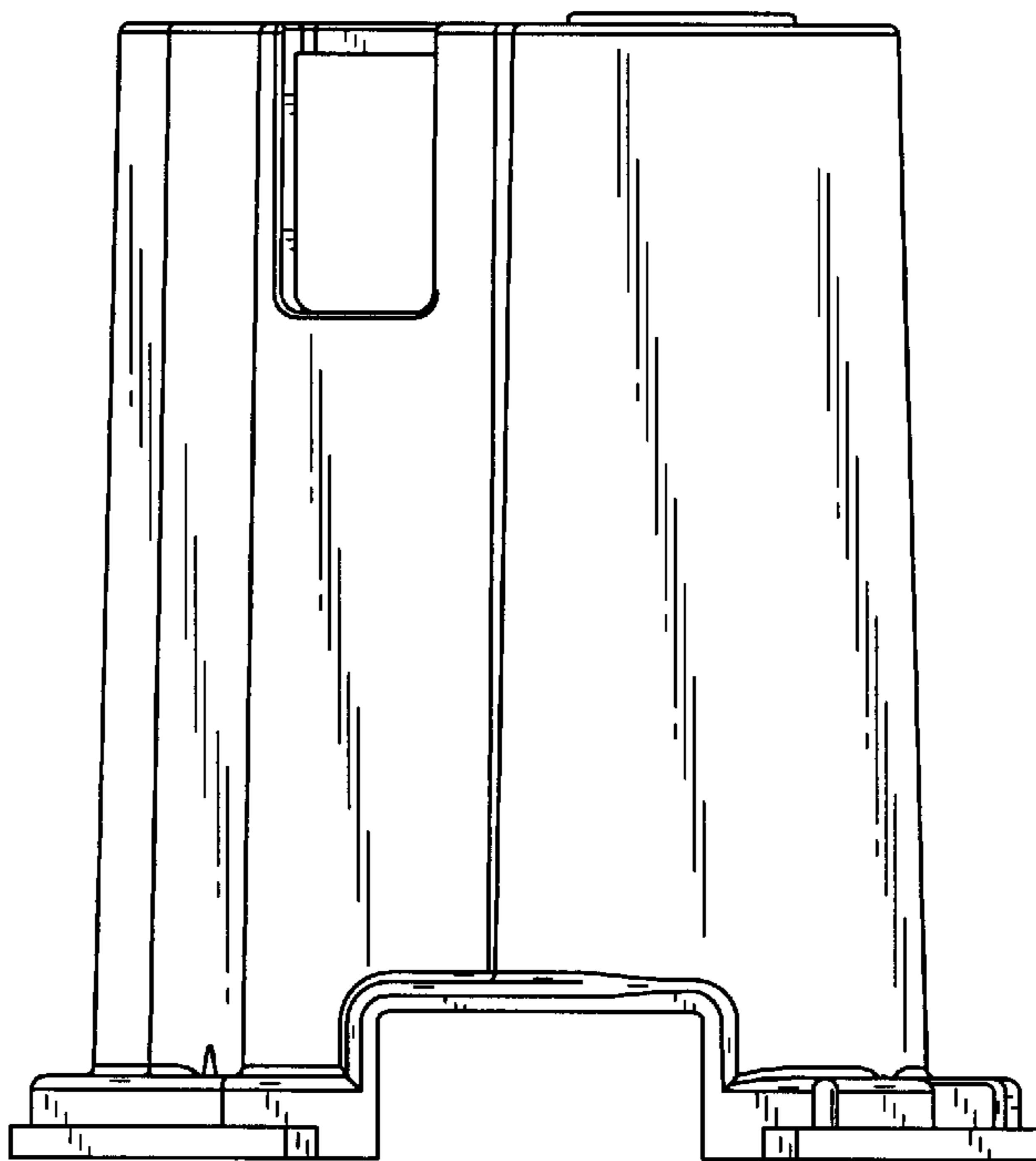


FIG. 7