



US00D537411S

(12) **United States Design Patent**  
**Katada**

(10) **Patent No.:** **US D537,411 S**  
(45) **Date of Patent:** **\*\* Feb. 27, 2007**

(54) **MOTOR WITH LEAD-SCREW**

D454,859 S 3/2002 Sadamitsu et al.

(75) Inventor: **Yoshinori Katada**, Tokyo (JP)

FOREIGN PATENT DOCUMENTS

(73) Assignee: **Nidec Copal Corporation**, Tokyo (JP)

(\*\*) Term: **14 Years**

JP	D719172 S	11/1987
JP	D730041 S	4/1988
JP	D794040 S	8/1990
JP	D807577 S	2/1991
JP	D807577-1 S	3/1991
JP	D1091267 S	11/2000
JP	D1091535 S	11/2000
JP	D1106888 S	4/2001

(21) Appl. No.: **29/236,187**

(22) Filed: **Aug. 12, 2005**

(30) **Foreign Application Priority Data**

Feb. 14, 2005 (JP) ..... 2005-003803

\* cited by examiner

(51) **LOC (8) Cl.** ..... **13-01**

*Primary Examiner*—Prabhakar Deshmukh

(52) **U.S. Cl.** ..... **D13/112**

*Assistant Examiner*—Derrick Holland

(58) **Field of Classification Search** ..... D13/112,

D13/101, 113, 114, 199; D14/217; 91/197;

310/47, 89, 113, 166

See application file for complete search history.

(74) *Attorney, Agent, or Firm*—Darby & Darby

(57) **CLAIM**

The ornamental design for motor with lead-screw, as shown and described.

**DESCRIPTION**

(56) **References Cited**

U.S. PATENT DOCUMENTS

D205,662 S	*	9/1966	Bluemink et al.	.....	D13/112
3,391,291 A	*	7/1968	O'Neil et al.	.....	310/90
D213,563 S	*	3/1969	Mabuchi	.....	D13/112
D239,562 S	*	4/1976	Matousek et al.	.....	D13/112
4,188,713 A	*	2/1980	Kawano et al.	.....	29/597
D273,586 S	*	4/1984	Hodgson	.....	D15/7
D325,560 S	*	4/1992	Baines	.....	D13/112
5,280,210 A	*	1/1994	Kress et al.	.....	310/158
D424,516 S	*	5/2000	Friedrichsen	.....	D13/112

FIG. 1 is a front, top, right side perspective view of our new design for a motor with lead-screw;  
FIG. 2 is a front elevation view thereof;  
FIG. 3 is a rear elevation view thereof;  
FIG. 4 is a top plan view thereof;  
FIG. 5 is a bottom plan view thereof;  
FIG. 6 is a left side elevation view thereof; and,  
FIG. 7 is a right side elevation view of our new design for a motor with lead-screw.

**1 Claim, 2 Drawing Sheets**

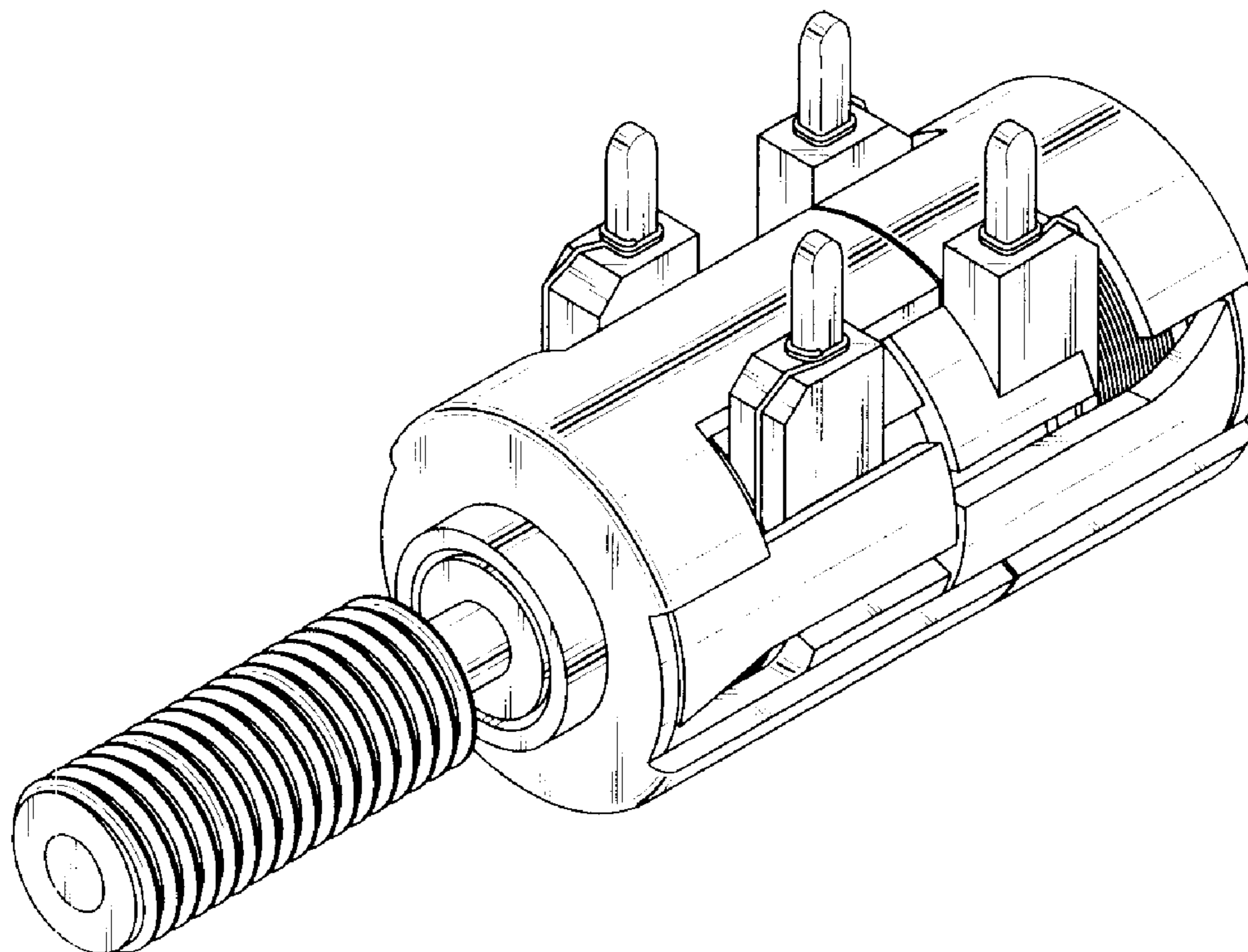


FIG.1

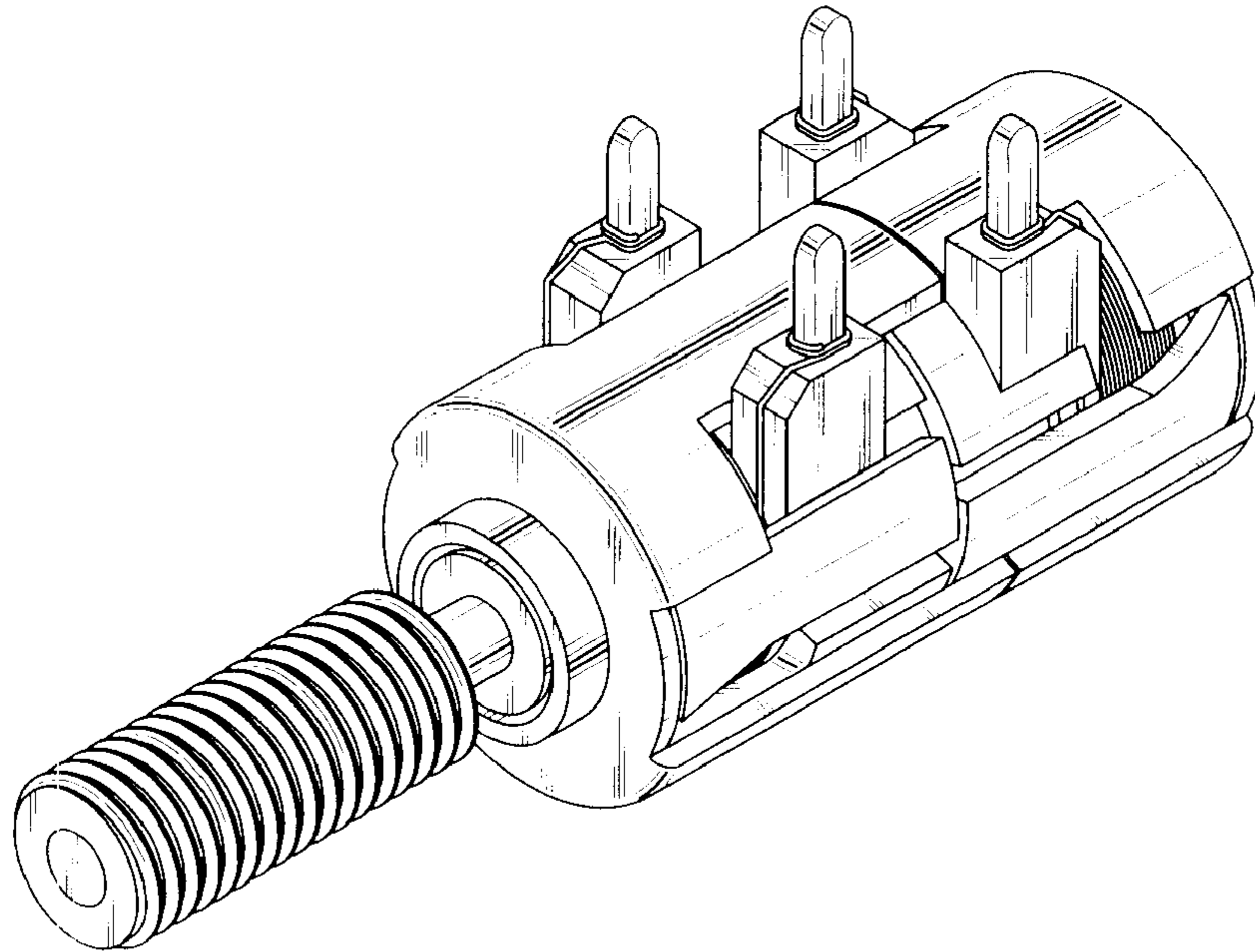


FIG.2

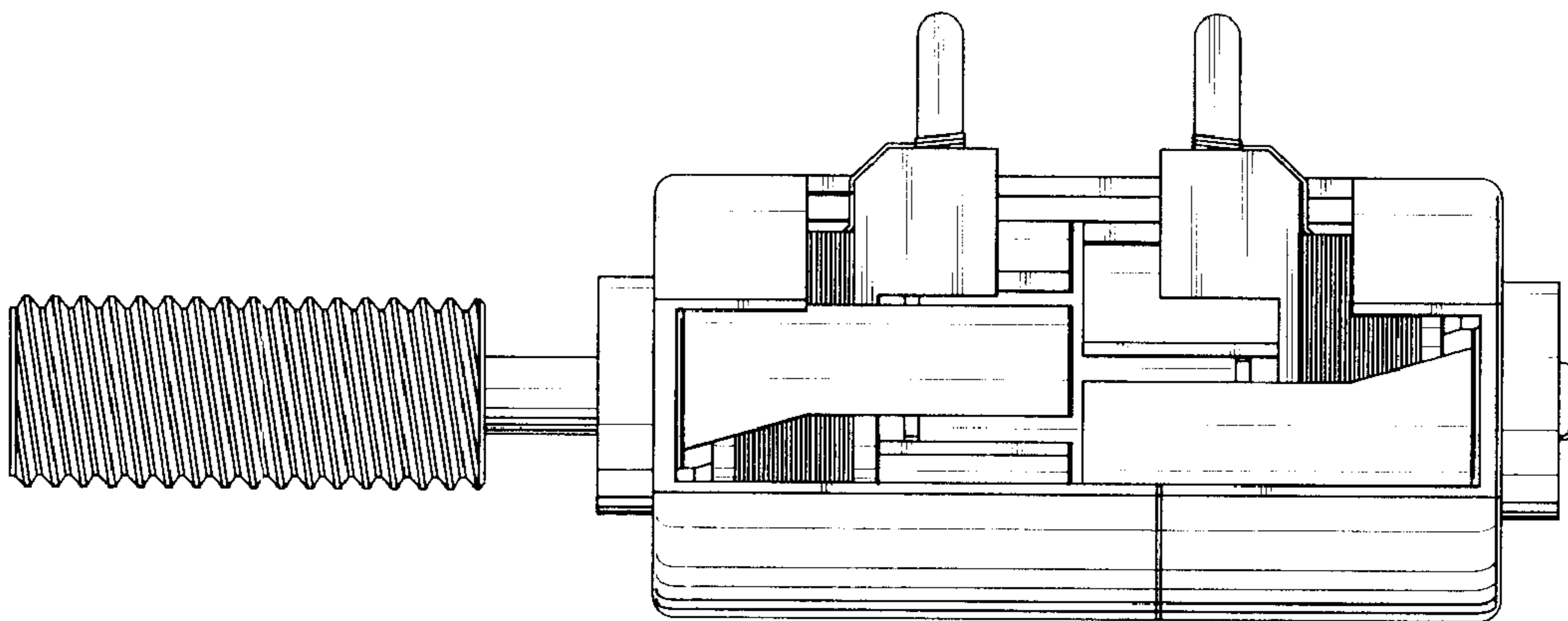


FIG.3

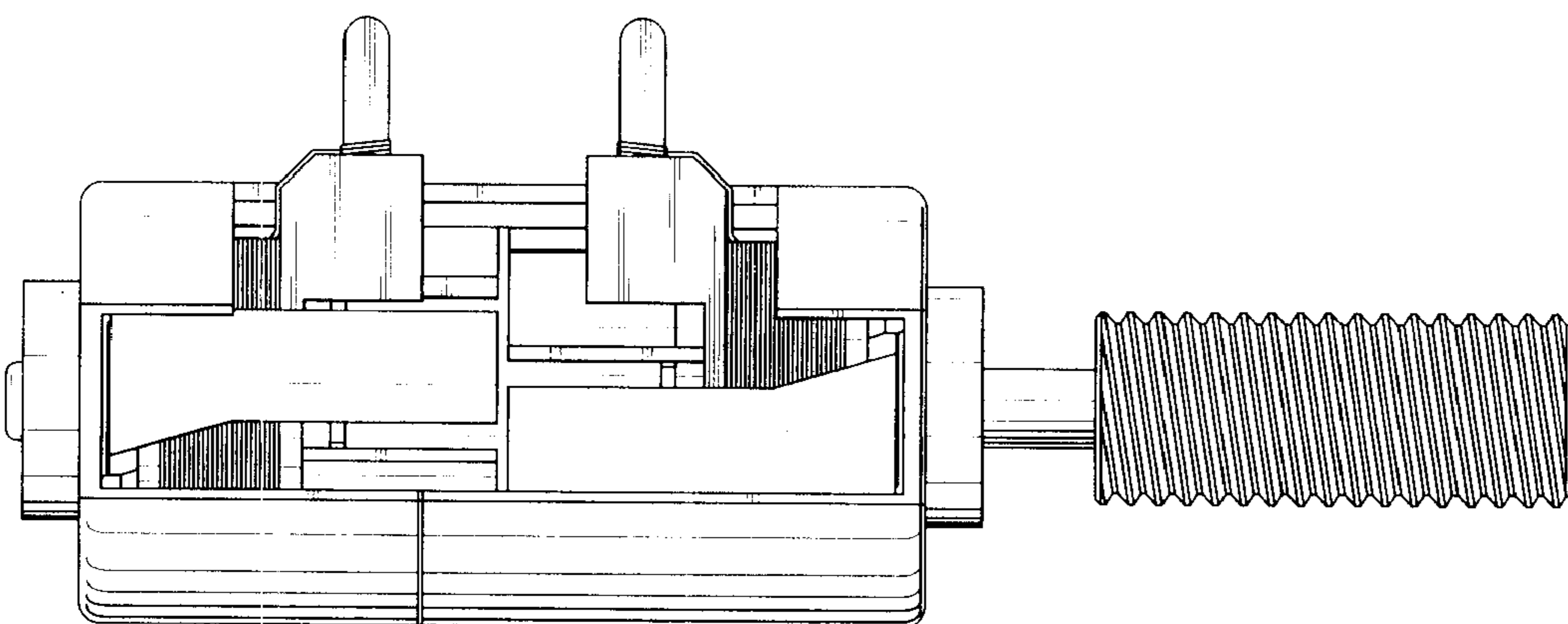


FIG.4

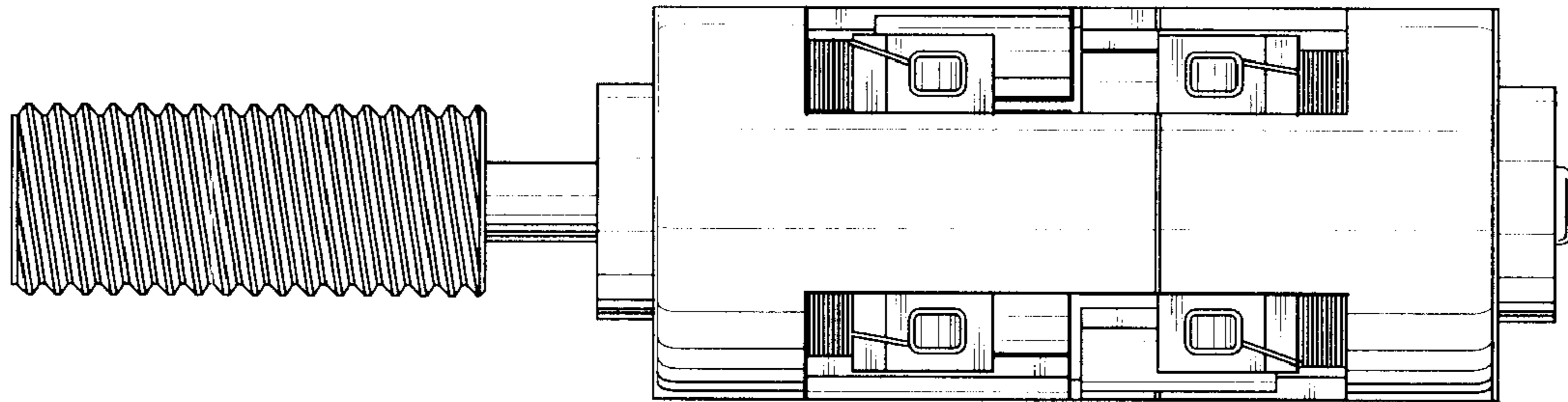


FIG.5

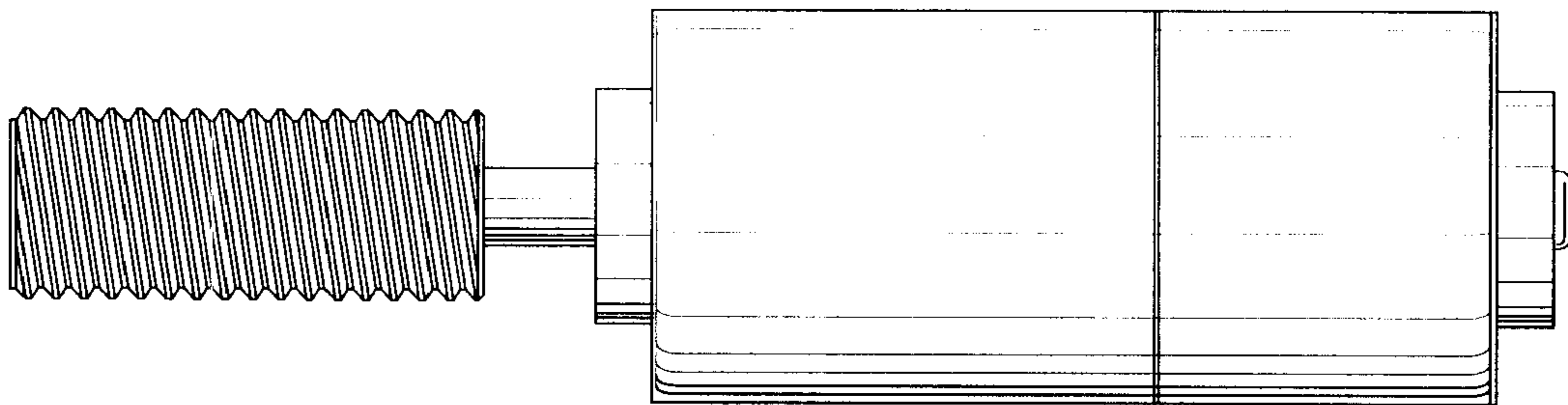


FIG.6

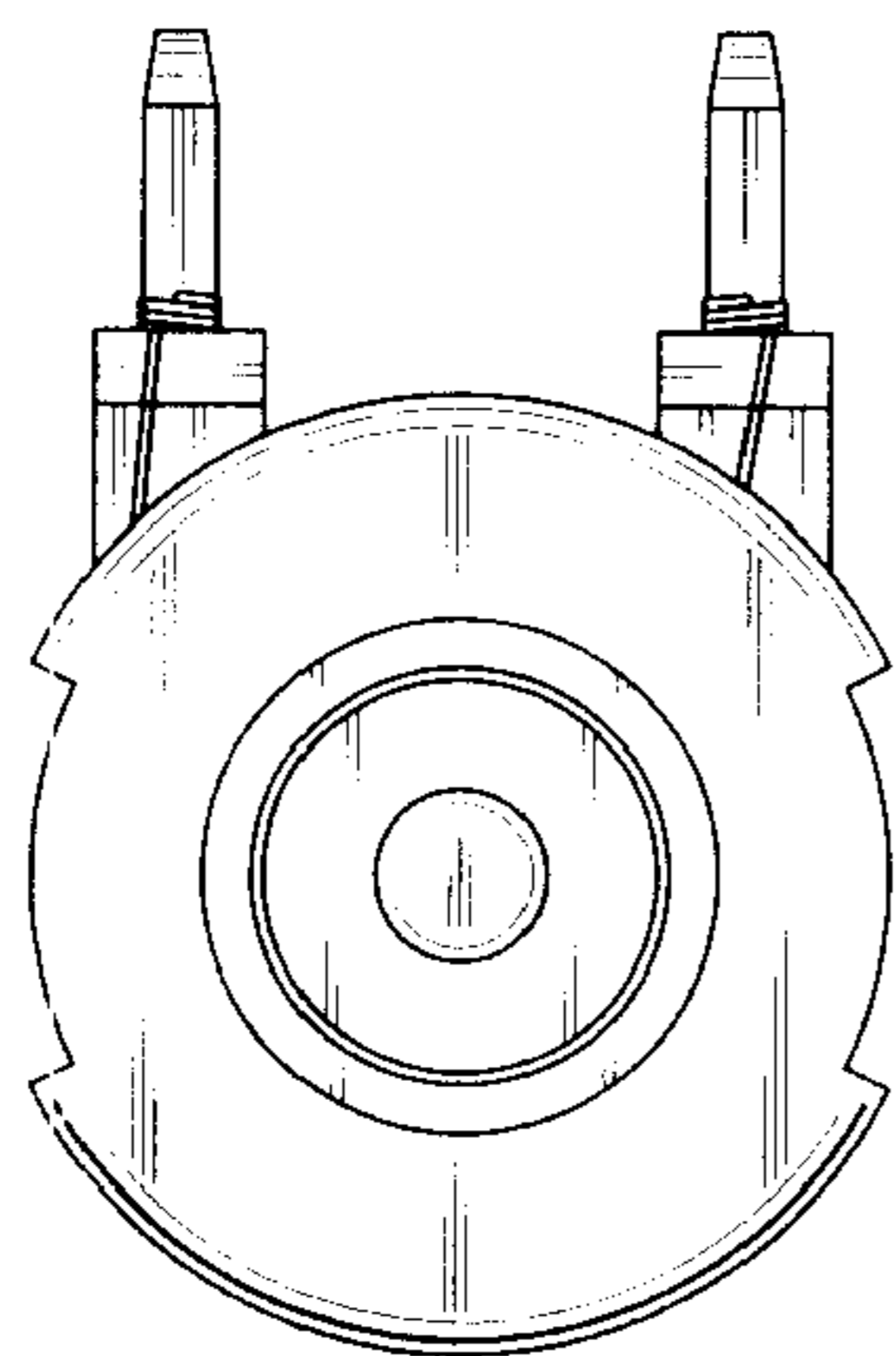


FIG.7

