



US00D537410S

(12) **United States Design Patent**
Yuen

(10) **Patent No.:** **US D537,410 S**

(45) **Date of Patent:** **** Feb. 27, 2007**

(54) **SWITCHING POWER SUPPLY**

(76) **Inventor:** **Se Kit Yuen**, 6/F, Yau Lee Centre, 45
Hoi Yuen Road, Kwun Tong, Kowloon,
Hong Kong (HK)

(**) **Term:** **14 Years**

(21) **Appl. No.:** **29/236,204**

(22) **Filed:** **Aug. 12, 2005**

(30) **Foreign Application Priority Data**

May 7, 2005 (HK) 0501053

(51) **LOC (8) Cl.** **13-02**

(52) **U.S. Cl.** **D13/110**

(58) **Field of Classification Search** D13/110,
D13/123, 158, 162, 184, 199; 307/150, 151;
361/18, 730; 363/146

See application file for complete search history.

(56) **References Cited**

U.S. PATENT DOCUMENTS

5,019,767 A * 5/1991 Shirai et al. 320/112
D340,027 S * 10/1993 Tortola D13/103
D355,887 S * 2/1995 Rodeffer et al. D13/110

D381,622 S * 7/1997 Gorton D13/110
D427,969 S * 7/2000 Wei D13/110
6,087,594 A * 7/2000 Chou 174/135
D437,288 S * 2/2001 Light D13/110
D454,537 S * 3/2002 O'Connor et al. D13/110
D492,251 S * 6/2004 Cameron et al. D13/110

* cited by examiner

Primary Examiner—Prabhakar Deshmukh

Assistant Examiner—Derrick Holland

(74) *Attorney, Agent, or Firm*—Akerman Senterfitt

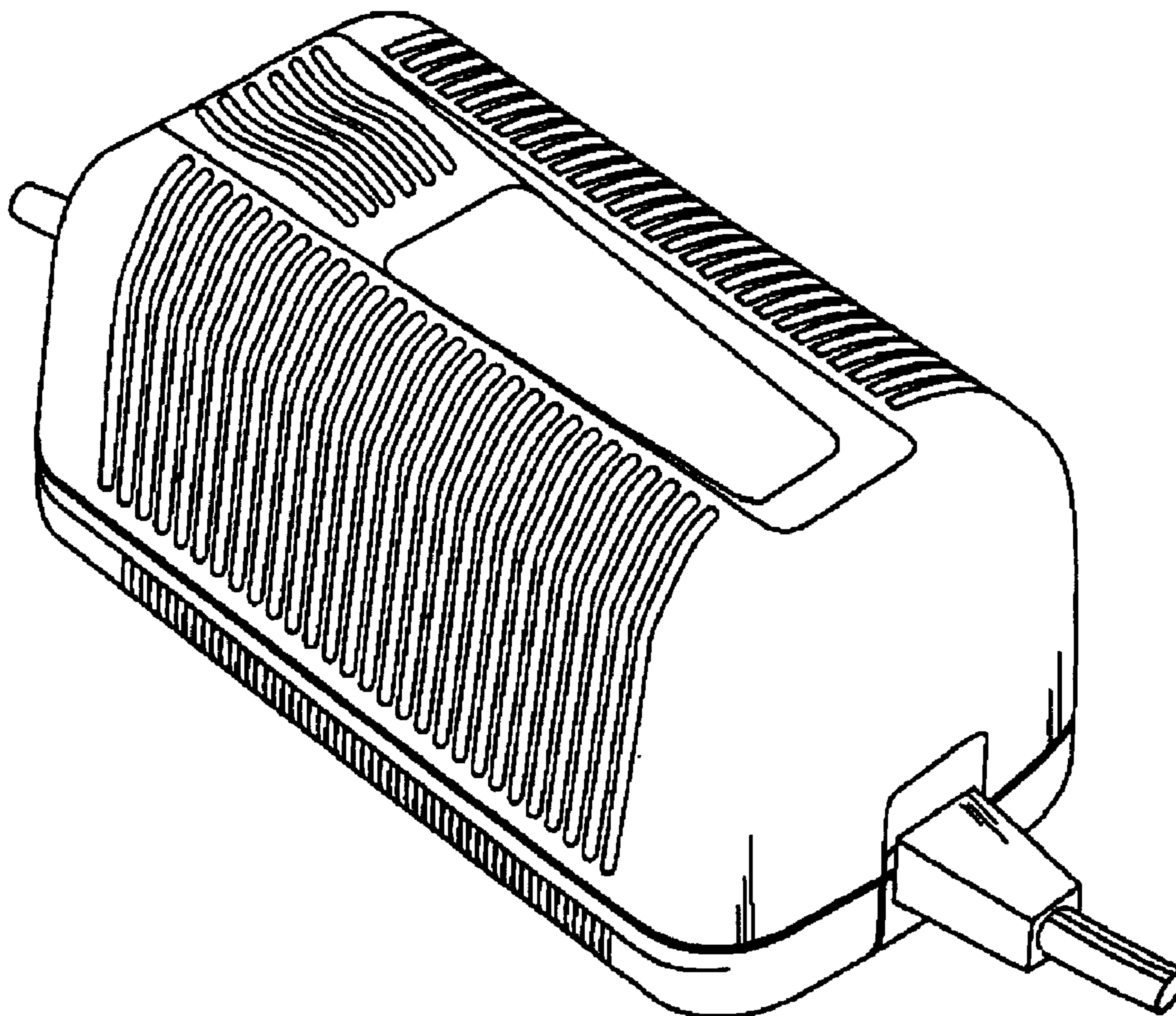
(57) **CLAIM**

The ornamental design for a switching power supply, as shown and described.

DESCRIPTION

FIG. 1 is a perspective view of the switching power supply.
FIG. 2 is an other perspective view thereof.
FIG. 3 is a front view thereof.
FIG. 4 is a rear view thereof.
FIG. 5 is a top view thereof.
FIG. 6 is a bottom view thereof.
FIG. 7 is a side view thereof; and,
FIG. 8 is an other side view thereof.

1 Claim, 4 Drawing Sheets



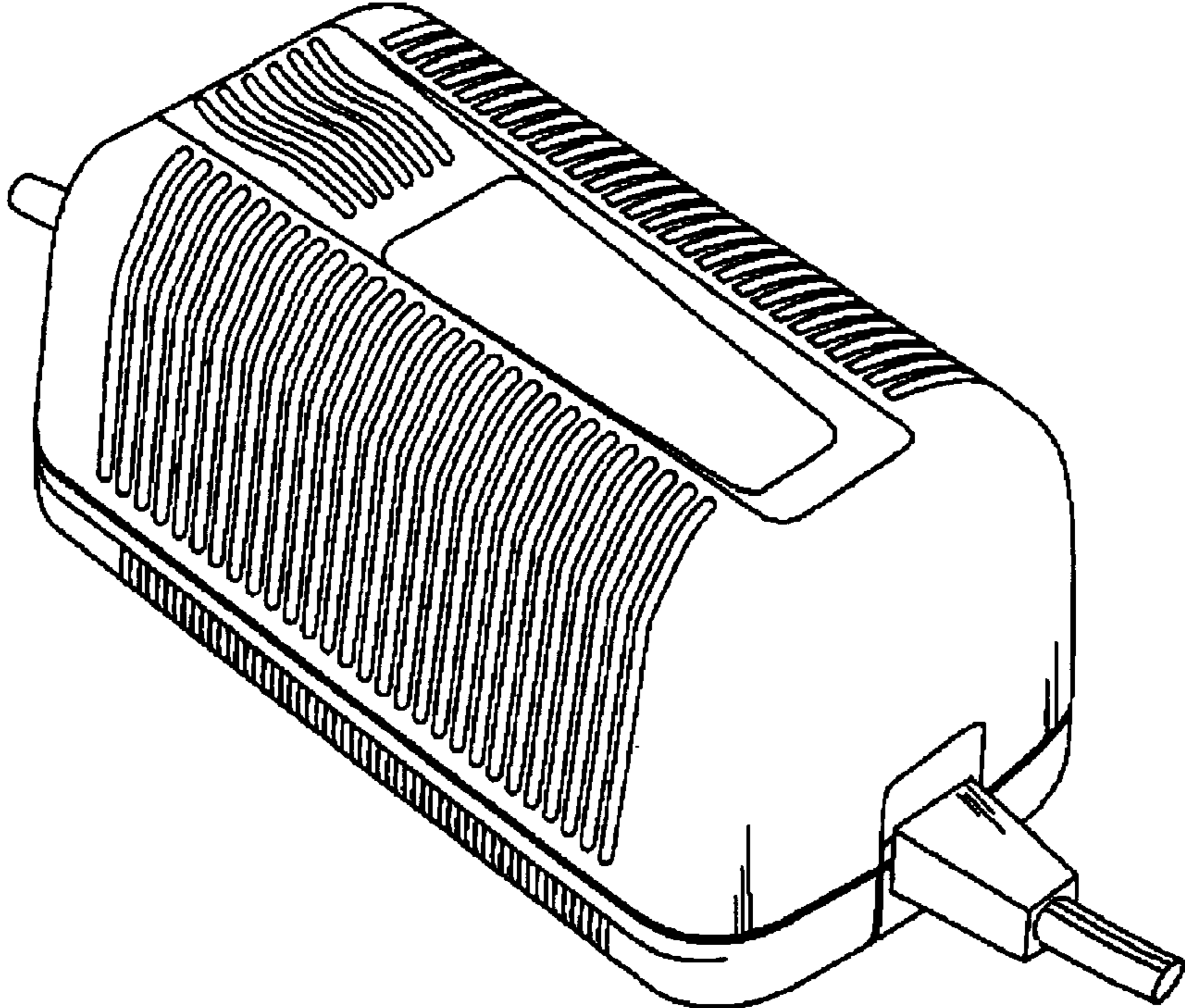


FIG. 1

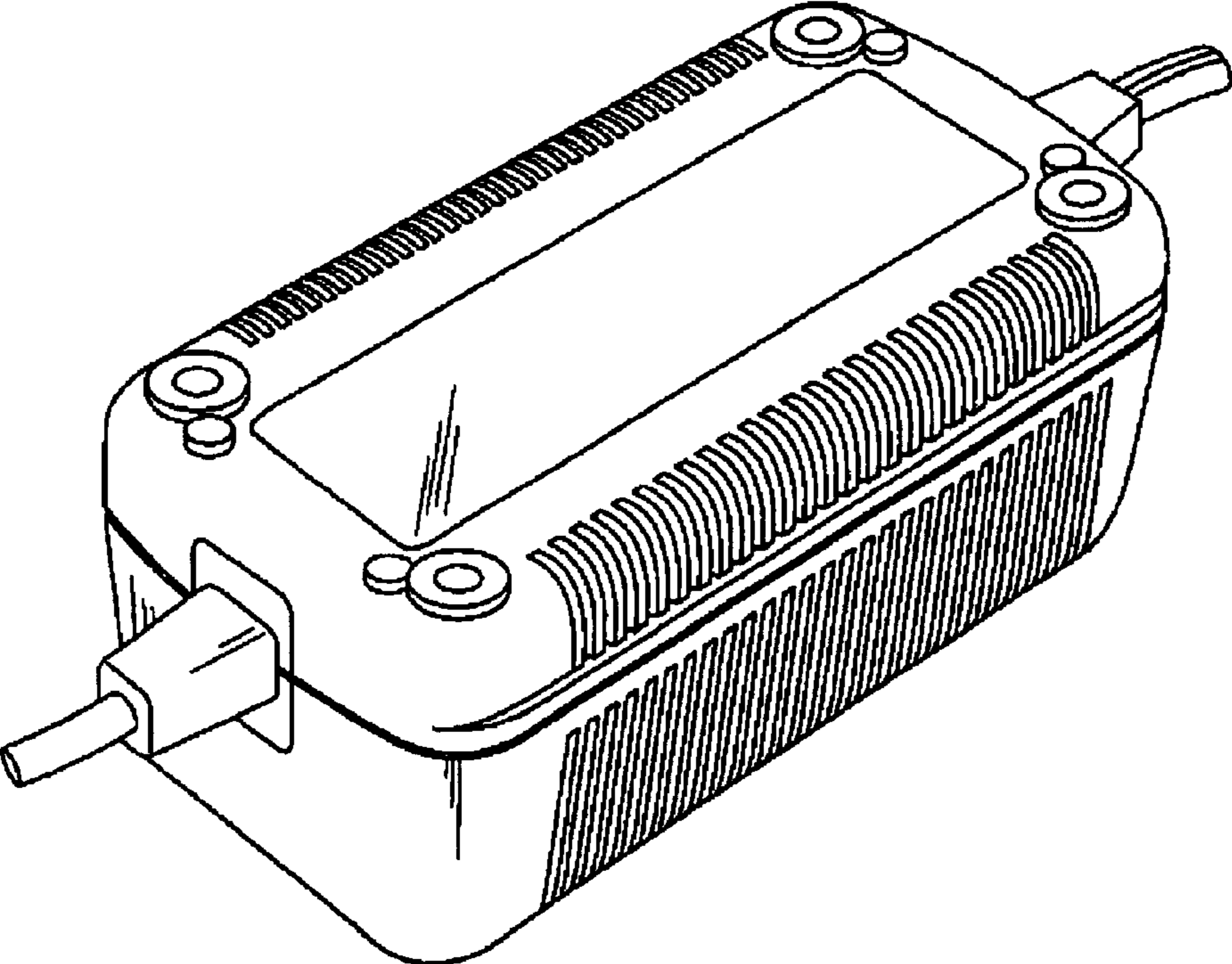


FIG. 2

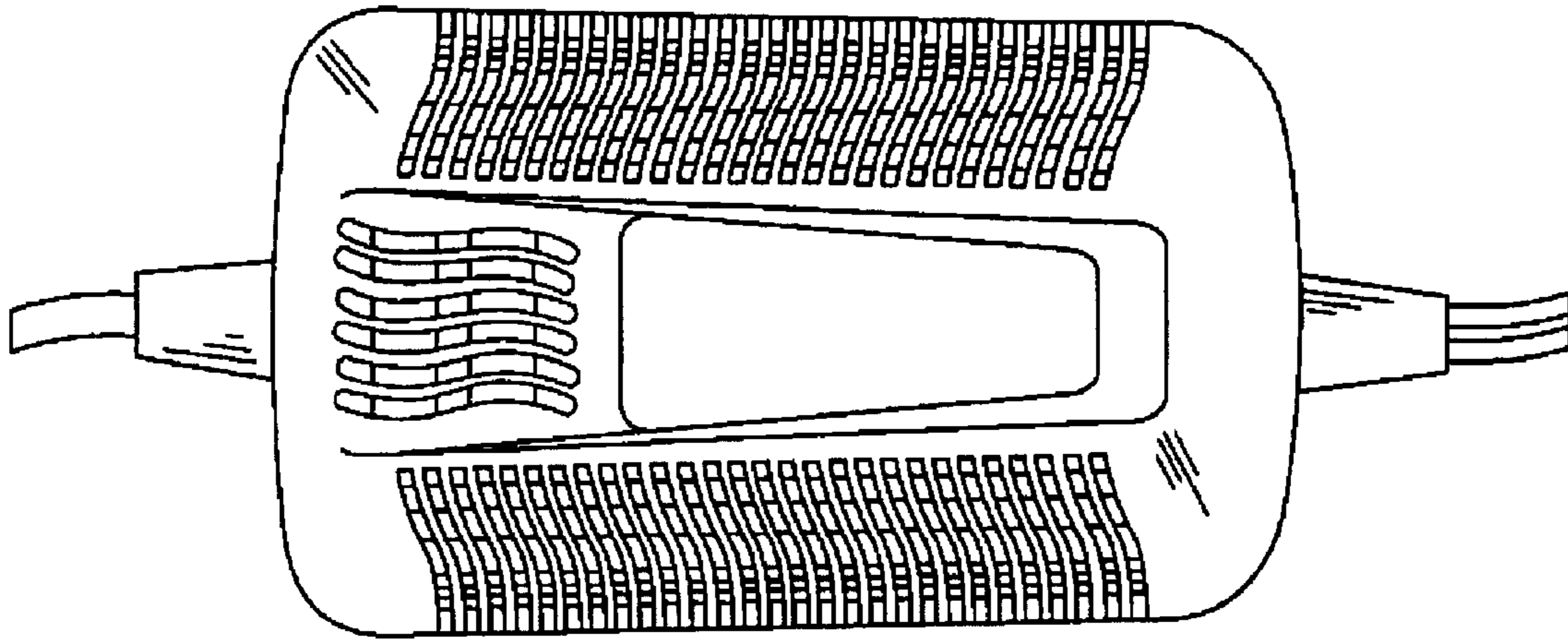


FIG. 3

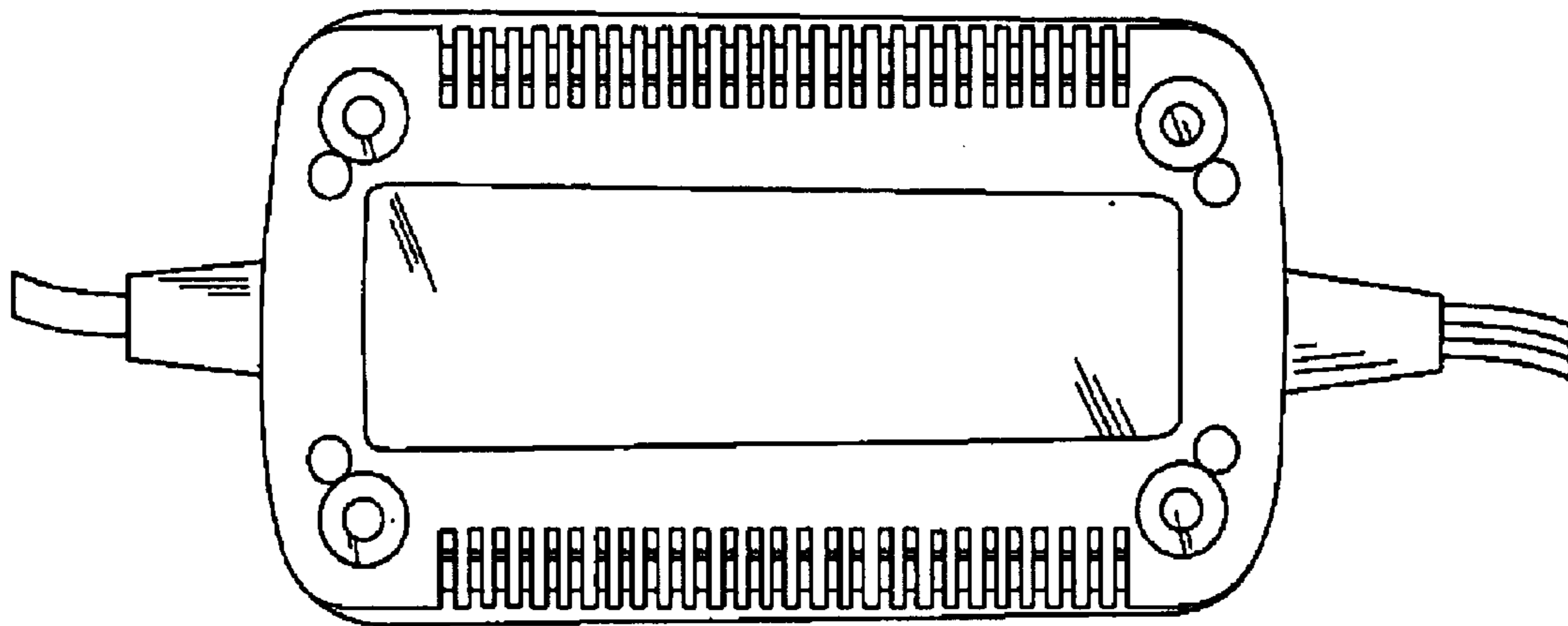


FIG. 4

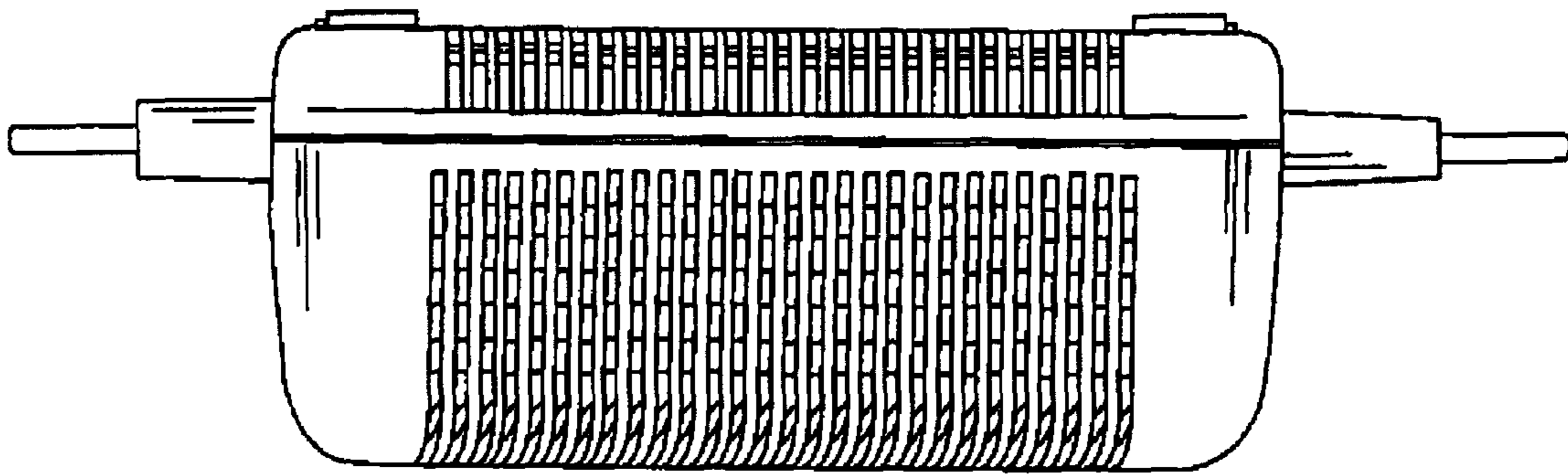


FIG. 5

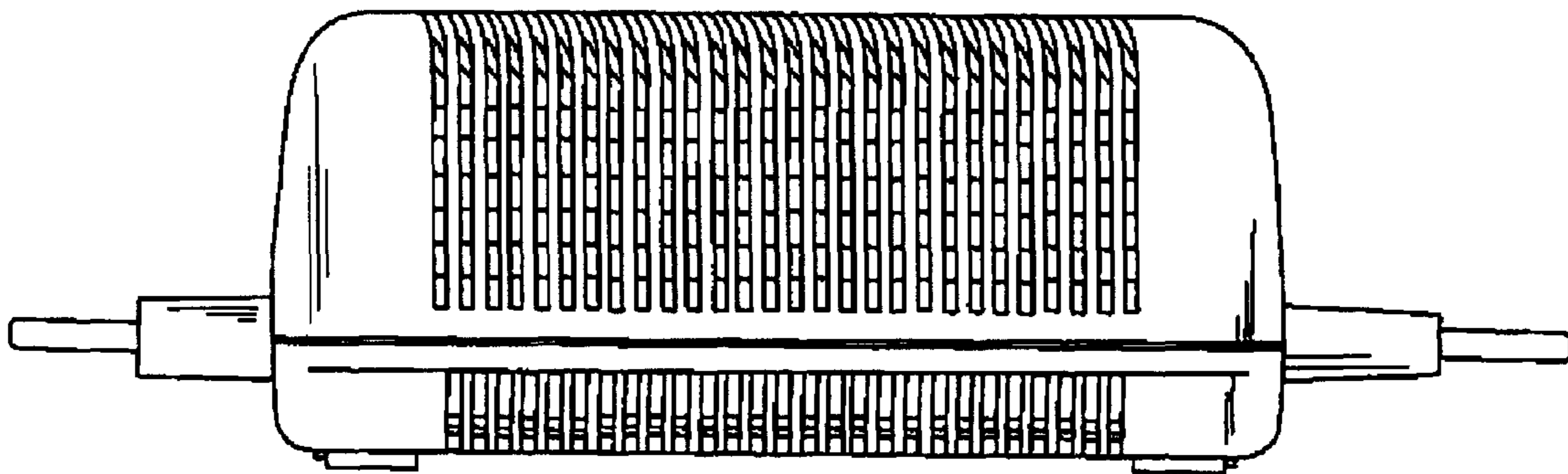


FIG. 6

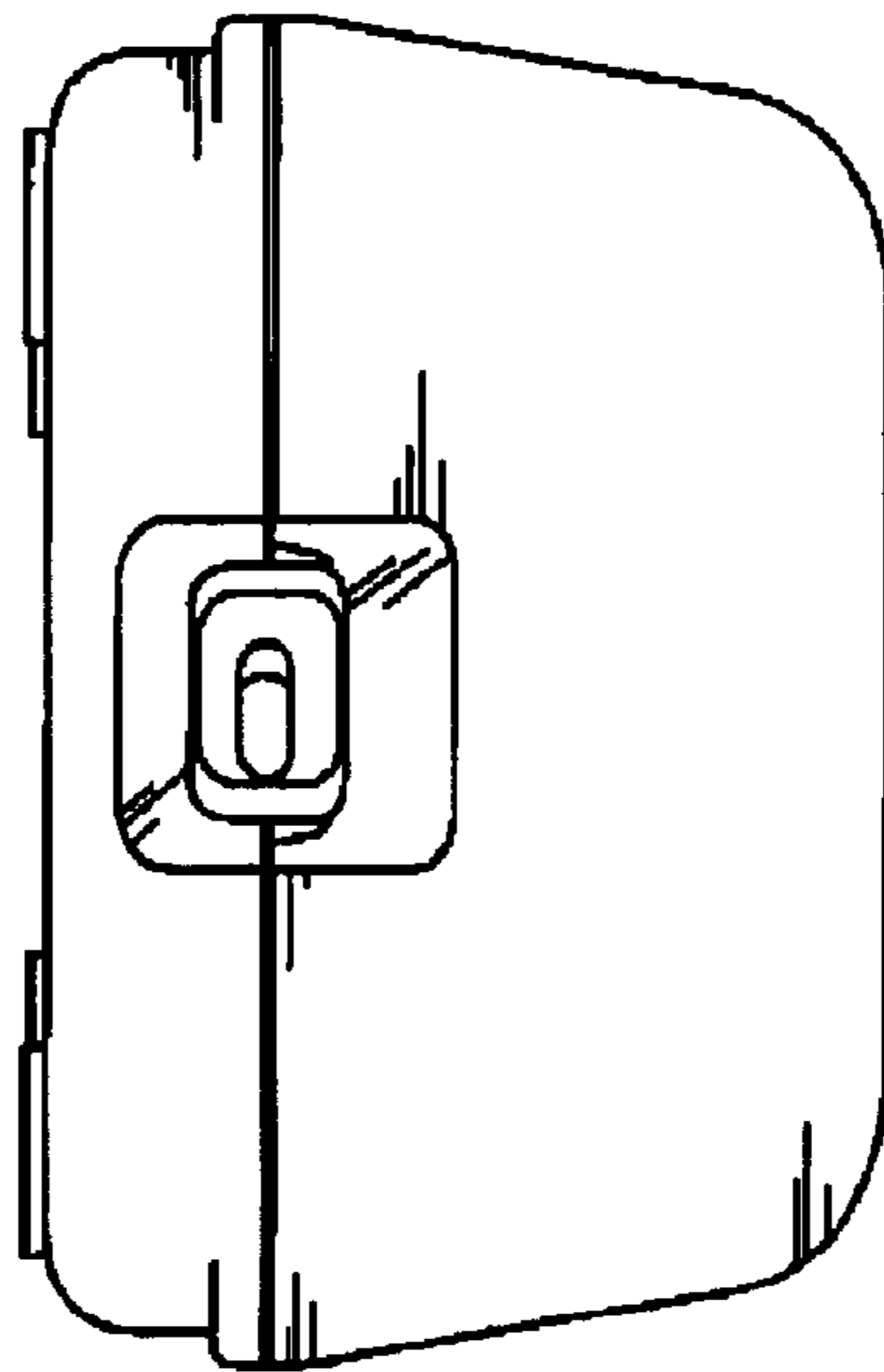


FIG. 7

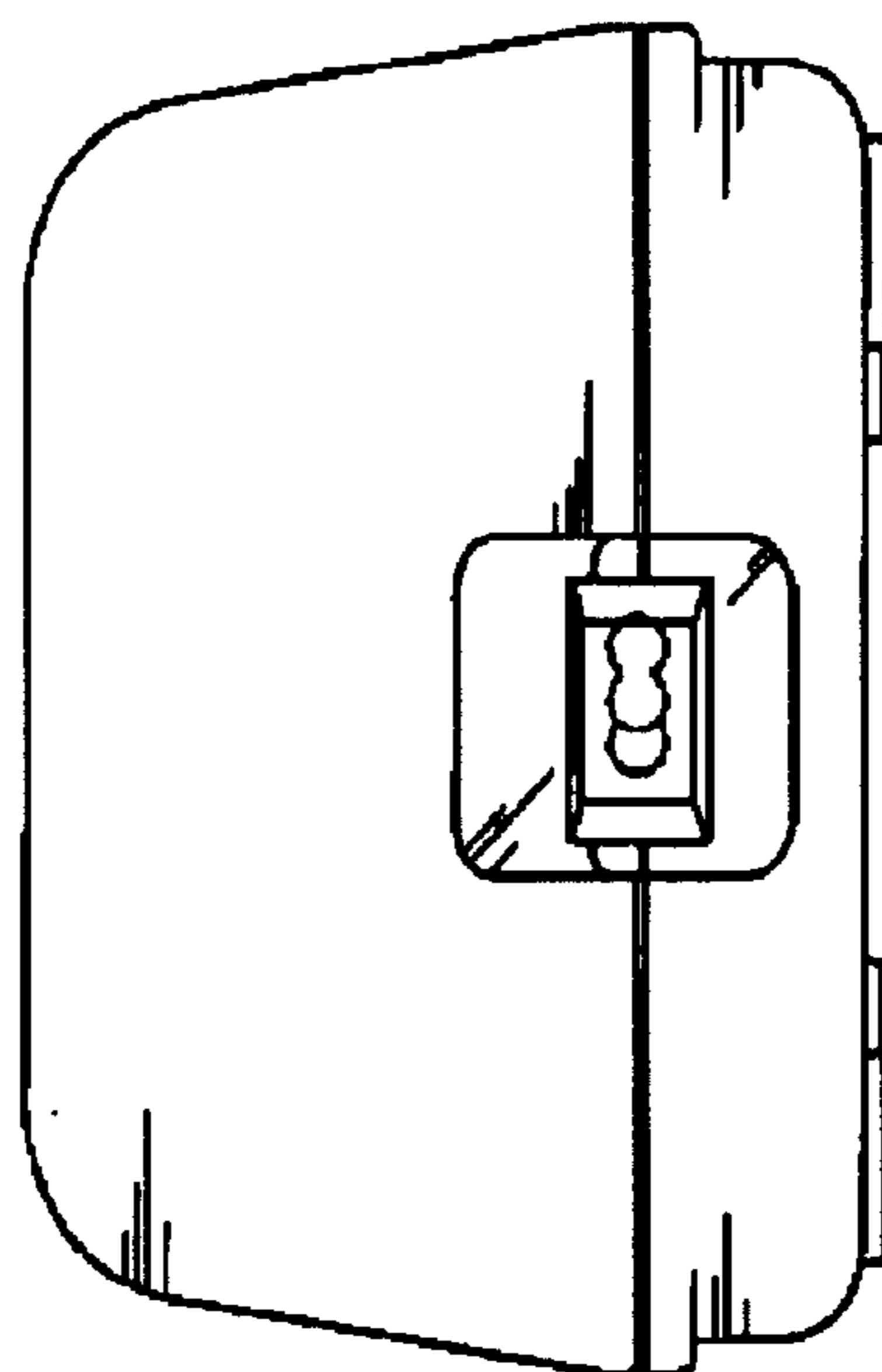


FIG. 8