

US00D537409S

(12) **United States Design Patent**  
**Suzuki**

(10) **Patent No.:** **US D537,409 S**

(45) **Date of Patent:** **\*\* Feb. 27, 2007**

(54) **COMBINED CHARGER AND INFRARED RAY EMITTER**

D521,927 S \* 5/2006 Franck et al. .... D13/108  
D526,973 S \* 8/2006 Gates et al. .... D13/184

(75) Inventor: **Satoshi Suzuki**, Tokyo (JP)

FOREIGN PATENT DOCUMENTS

(73) Assignee: **Sony Corporation**, Tokyo (JP)

JP 924582 S 5/1995

(\*\*) Term: **14 Years**

OTHER PUBLICATIONS

(21) Appl. No.: **29/251,490**

Web page "EHP-83R" <http://www.2.elecom.co.jp/avd/headphone/ehp-83r/index.asp>, 2 sheets, Elecom Co., Ltd. (Nov. 2005).

(22) Filed: **Jan. 10, 2006**

\* cited by examiner

(51) **LOC (8) Cl.** ..... **13-02**

*Primary Examiner*—Alan P. Douglas

(52) **U.S. Cl.** ..... **D13/108**; D14/155

*Assistant Examiner*—Rosemary K. Tarcza

(58) **Field of Classification Search** ..... D13/107–110,  
D13/118–119, 184; D14/155, 251, 253, 432,  
D14/434; 320/107–115; 455/573

(74) *Attorney, Agent, or Firm*—Rader, Fishman & Grauer PLLC

See application file for complete search history.

(57) **CLAIM**

(56) **References Cited**

The ornamental design for a combined charger and infrared ray emitter, as shown.

U.S. PATENT DOCUMENTS

**DESCRIPTION**

D242,675 S	*	12/1976	McNair	.....	D28/38
D300,678 S	*	4/1989	Barrault	.....	D32/73
D394,423 S	*	5/1998	Nagele et al.	.....	D13/107
5,903,133 A	*	5/1999	Amero et al.	.....	320/107
D412,331 S	*	7/1999	Nakamura	.....	D14/155
D467,539 S	*	12/2002	Kataoka	.....	D13/108
D468,305 S	*	1/2003	Ma et al.	.....	D14/253
D480,376 S	*	10/2003	Ma	.....	D14/149
D483,327 S	*	12/2003	Matsuoka	.....	D13/108
D483,328 S	*	12/2003	Suzuki	.....	D13/108
D508,458 S	*	8/2005	Solland et al.	.....	D13/108

FIG. 1 is a perspective view of a combined charger and infrared ray emitter showing my new design; FIG. 2 is a front elevational view thereof; FIG. 3 is a rear elevational view thereof; FIG. 4 is a left side elevational view thereof; FIG. 5 is a right side elevational view thereof; FIG. 6 is a top plan view thereof; and, FIG. 7 is a bottom plan view thereof.

**1 Claim, 7 Drawing Sheets**

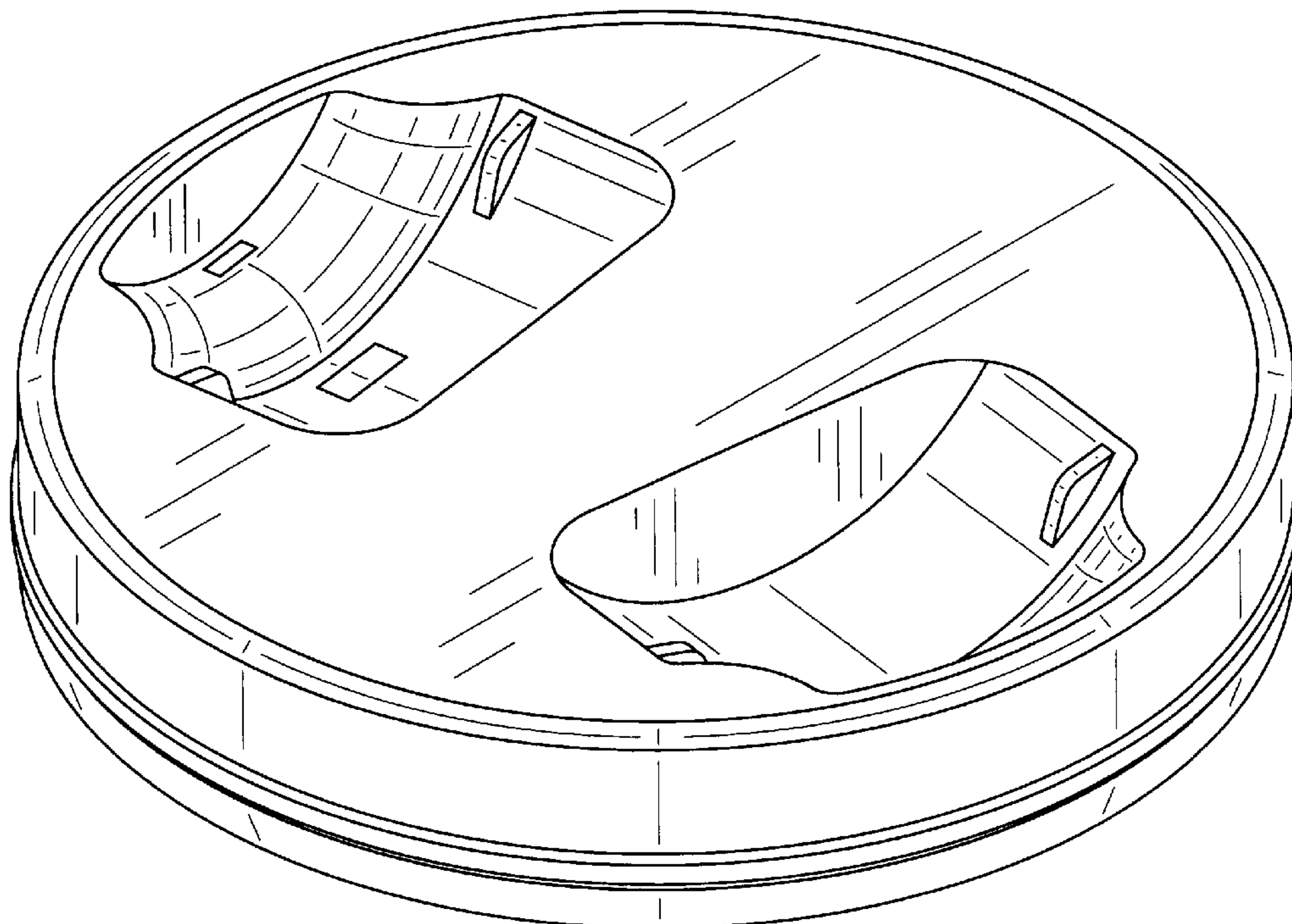


Fig.1

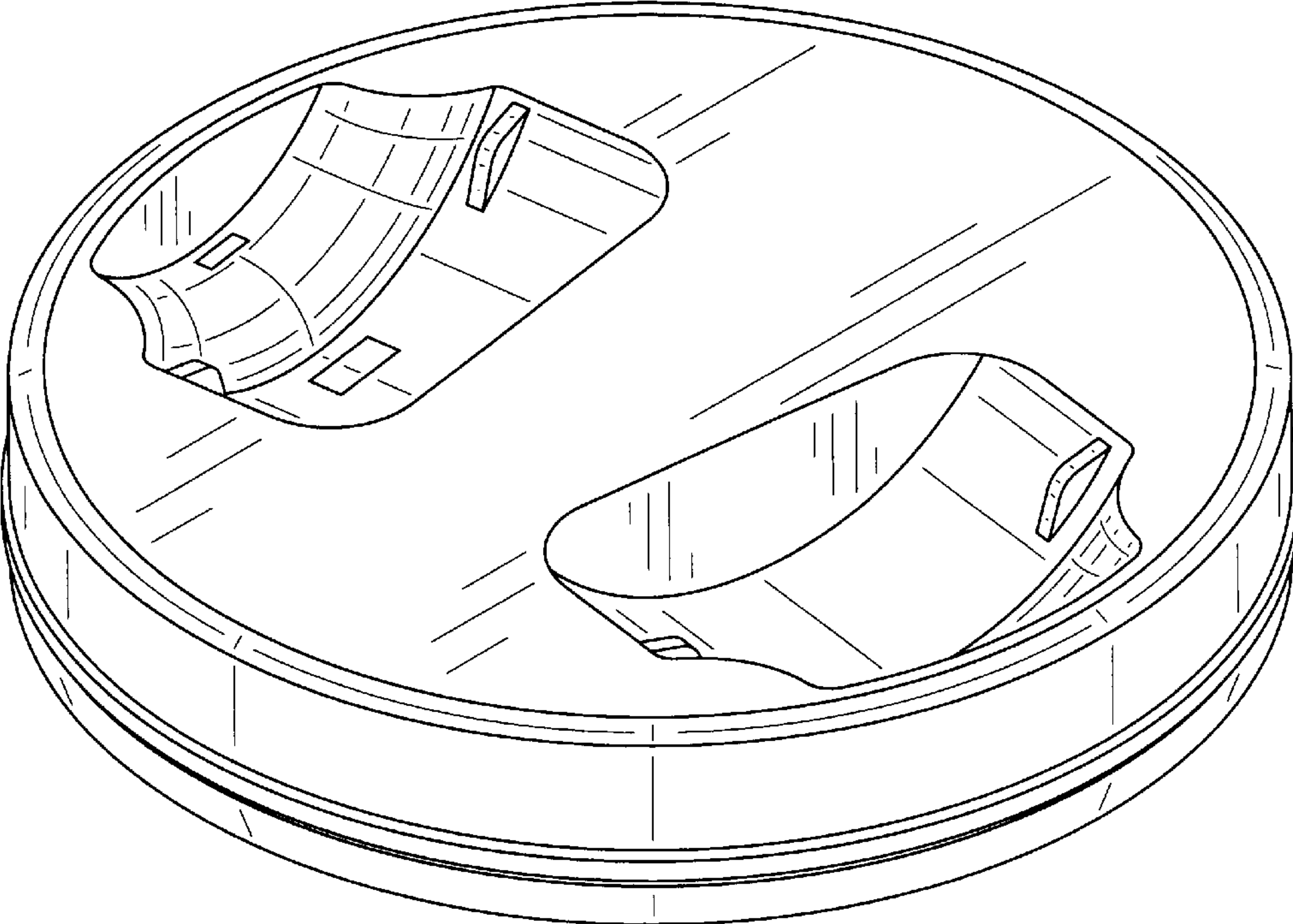


Fig.2

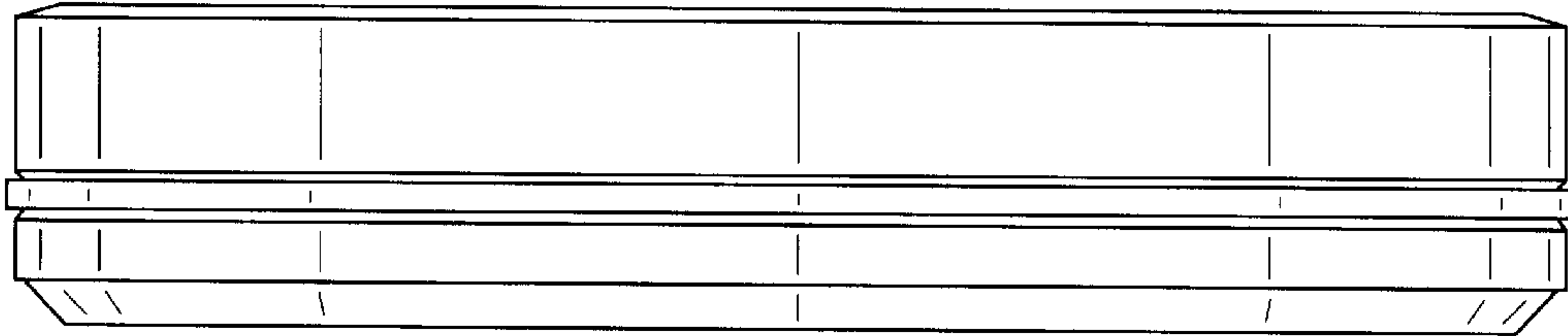


Fig.3

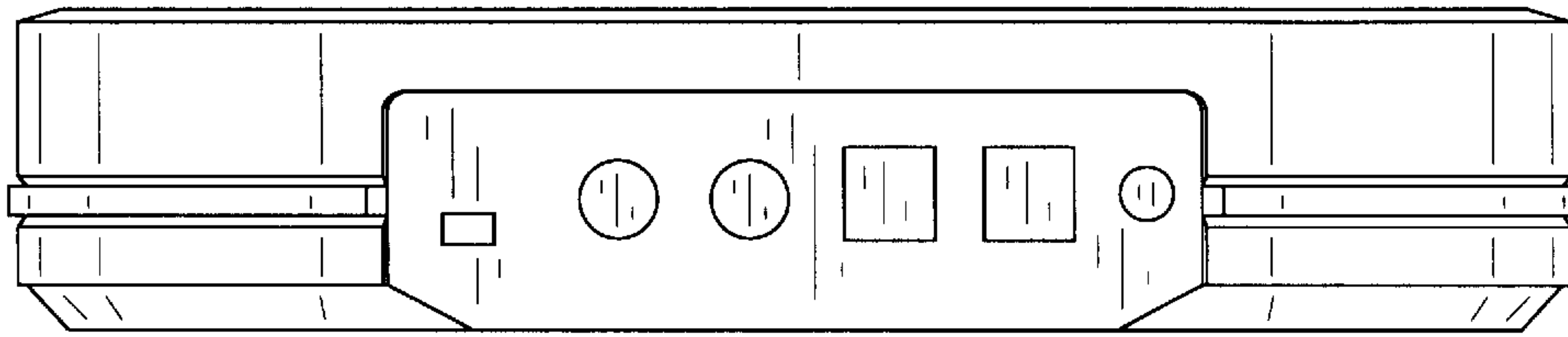


Fig.4

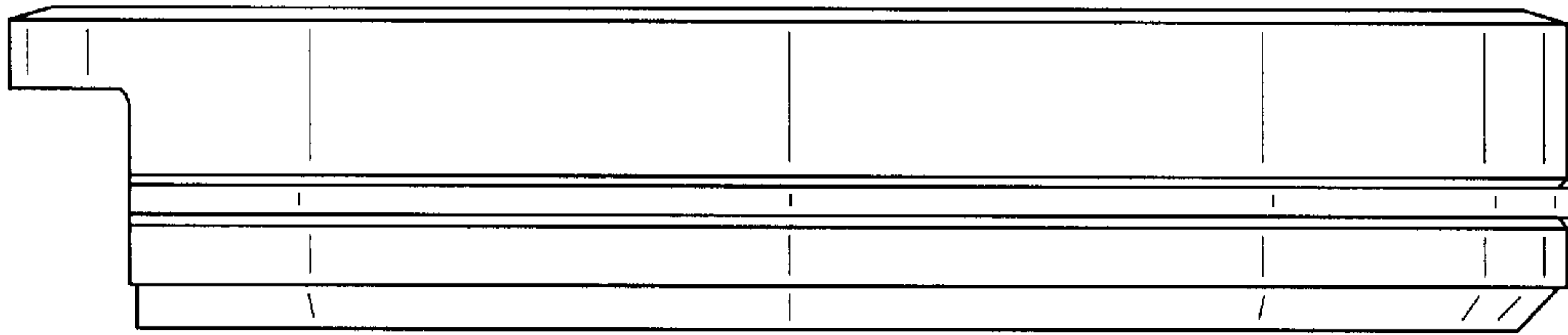


Fig.5

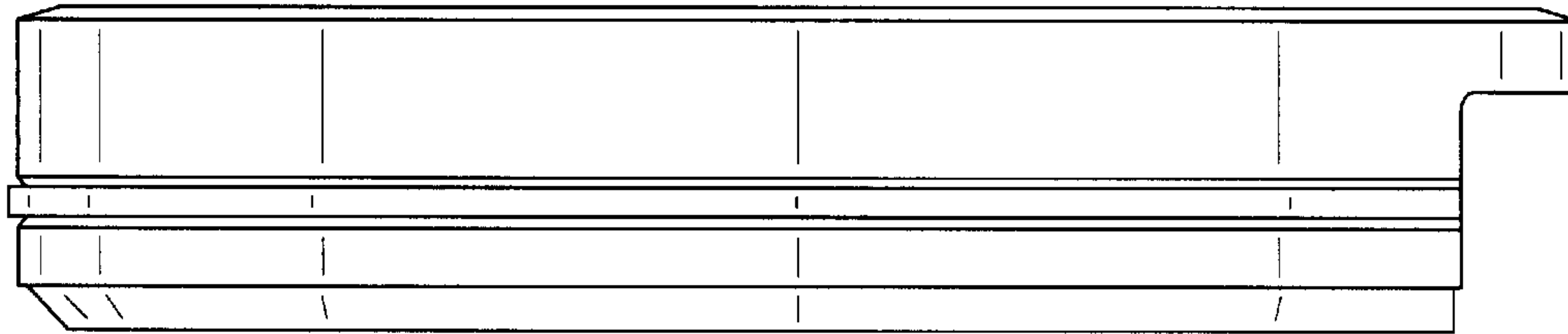


Fig.6

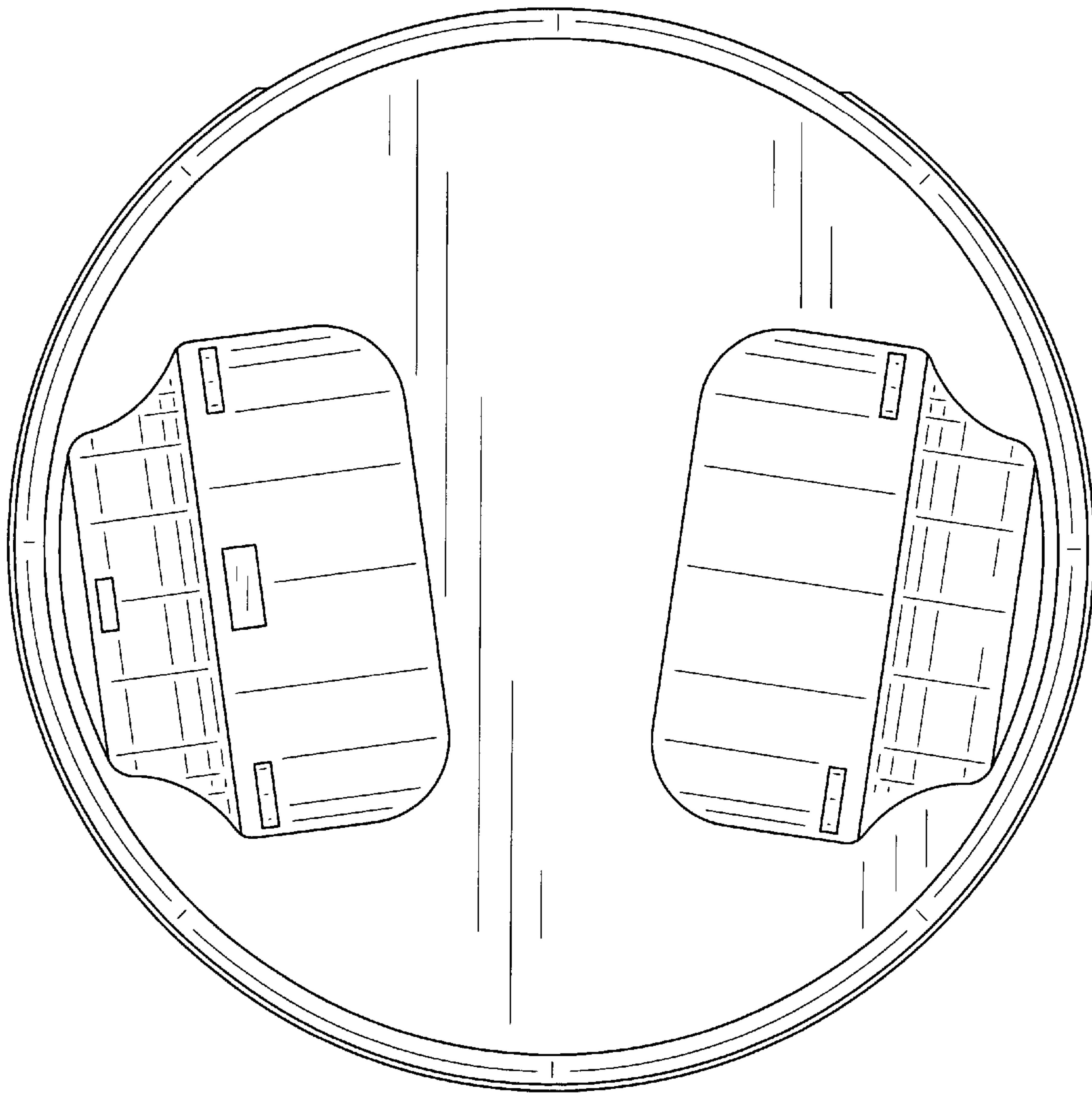




Fig.7

