



US00D537408S

(12) **United States Design Patent**  
**Aglassinger**

(10) **Patent No.:** **US D537,408 S**

(45) **Date of Patent:** **\*\* Feb. 27, 2007**

(54) **BATTERY PACK**

(75) **Inventor:** **Hans-Peter Aglassinger**, Esslingen  
(DE)

(73) **Assignee:** **Robert Bosch GmbH**, Stuttgart (DE)

(\*\*) **Term:** **14 Years**

(21) **Appl. No.:** **29/253,594**

(22) **Filed:** **Feb. 9, 2006**

(30) **Foreign Application Priority Data**

Nov. 11, 2005 (DE) ..... 405 05 820

(51) **LOC (8) Cl.** ..... **13-02**

(52) **U.S. Cl.** ..... **D13/103**

(58) **Field of Classification Search** ..... D13/102-106,  
D13/110, 118-119, 184; 429/96-100, 163,  
429/176

See application file for complete search history.

(56) **References Cited**

**U.S. PATENT DOCUMENTS**

D415,100 S	*	10/1999	Buck	.....	D13/103
D436,917 S	*	1/2001	Hayakawa et al.	.....	D13/103
D477,811 S	*	7/2003	Niwa et al.	.....	D13/103
D481,672 S	*	11/2003	Niwa et al.	.....	D13/103
D483,012 S	*	12/2003	Hsu	.....	D13/103

D484,458 S	*	12/2003	Garvis et al.	.....	D13/103
D488,436 S	*	4/2004	Wulff	.....	D13/103
D511,744 S	*	11/2005	Hsu et al.	.....	D13/108
D512,373 S	*	12/2005	Tsai et al.	.....	D13/108
D512,961 S	*	12/2005	Okuda et al.	.....	D13/103
D516,504 S	*	3/2006	Okuda et al.	.....	D13/103
D523,807 S	*	6/2006	Murayama et al.	.....	D13/103
D524,728 S	*	7/2006	Watson	.....	D13/103

\* cited by examiner

*Primary Examiner*—Alan P. Douglas

*Assistant Examiner*—Rosemary K. Tarcza

(74) *Attorney, Agent, or Firm*—Michael J. Striker

(57) **CLAIM**

The ornamental design for a battery pack, as shown and described.

**DESCRIPTION**

FIG. 1 is a front perspective view of a battery pack showing my new design;

FIG. 2 is a side view thereof;

FIG. 3 is a top view thereof;

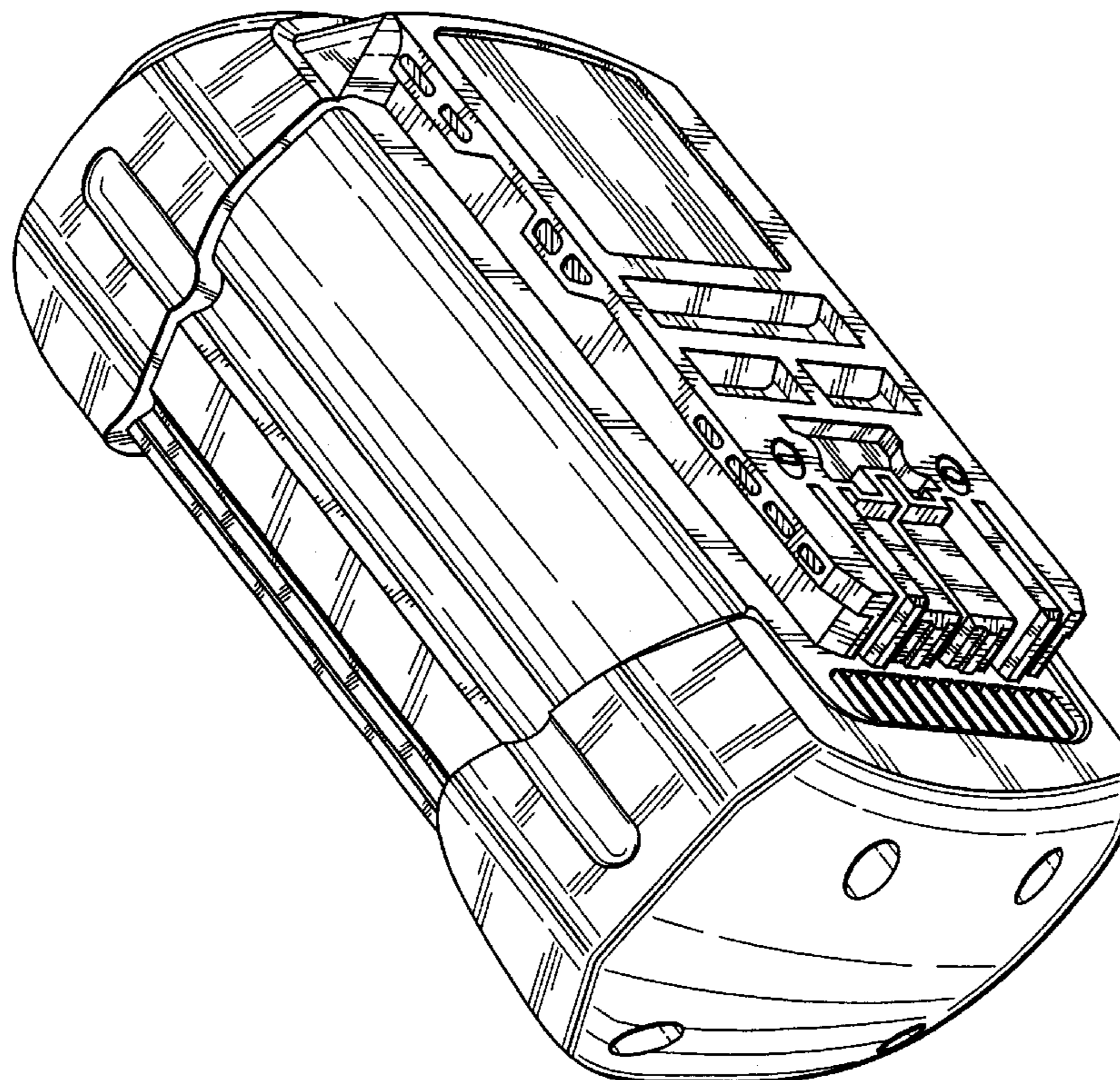
FIG. 4 is the opposite side view of FIG. 2 thereof;

FIG. 5 is a bottom view thereof;

FIG. 6 is a front view thereof; and,

FIG. 7 is a rear view thereof.

**1 Claim, 7 Drawing Sheets**



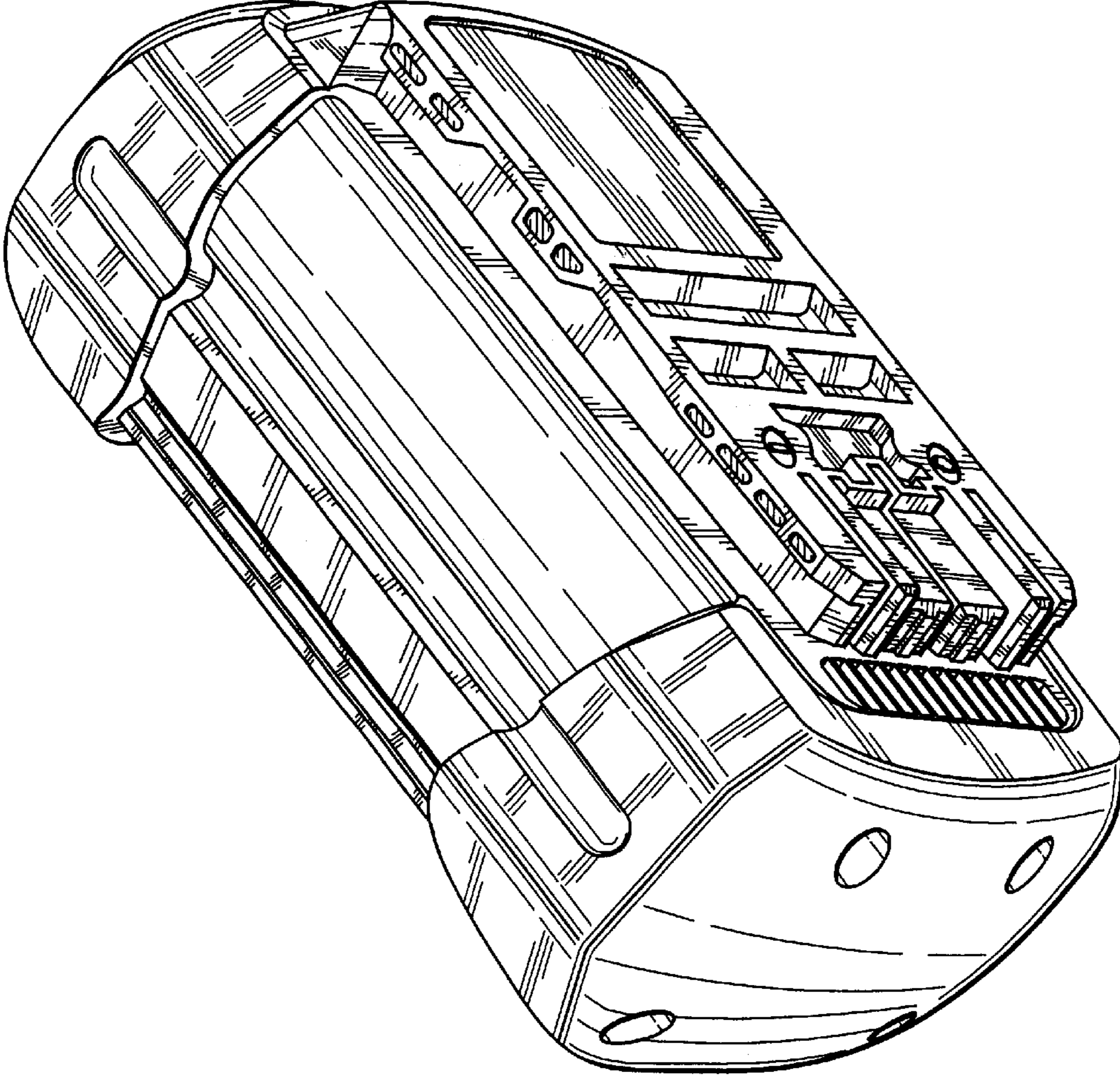


Fig. 1



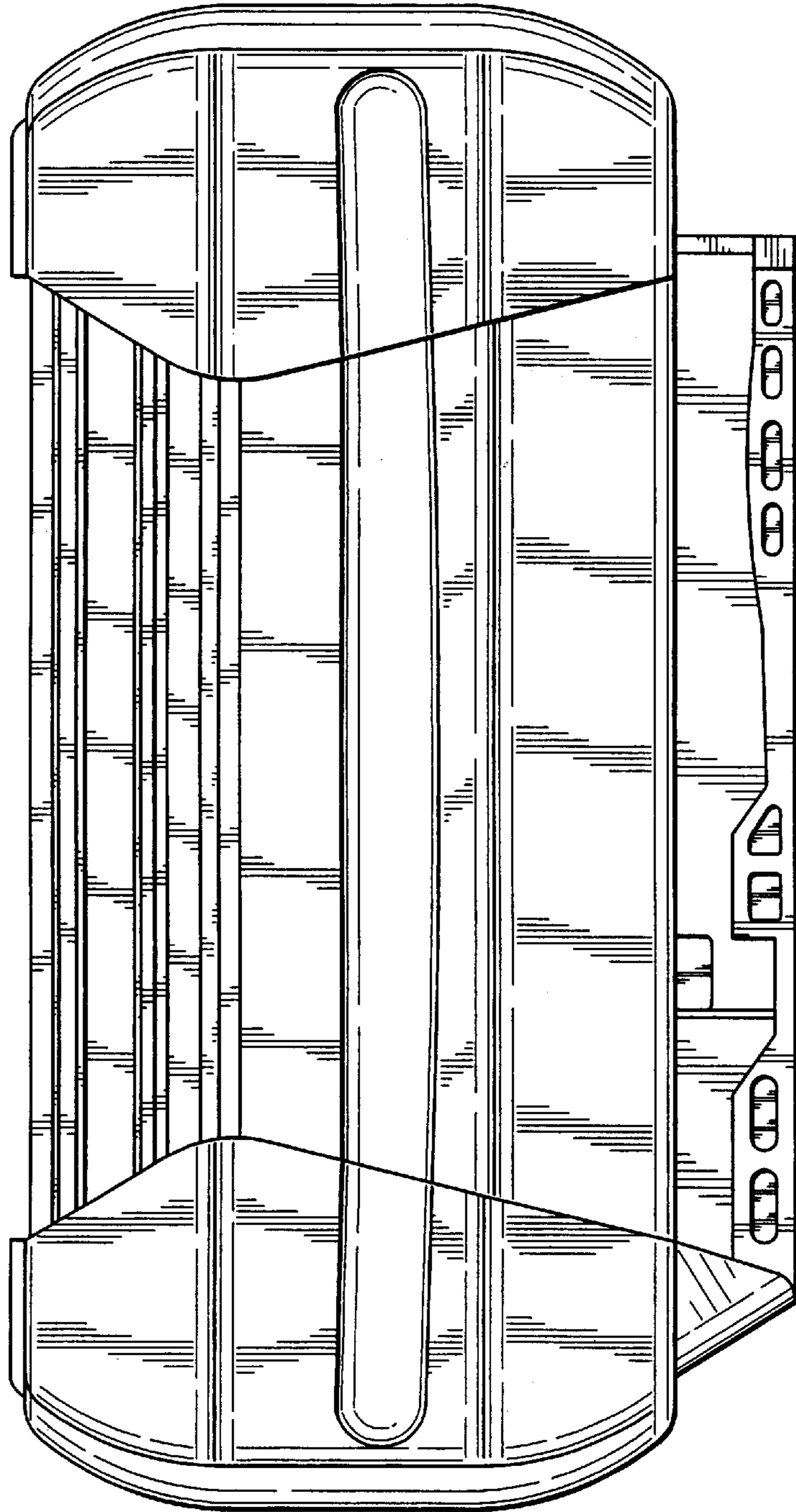


Fig. 2

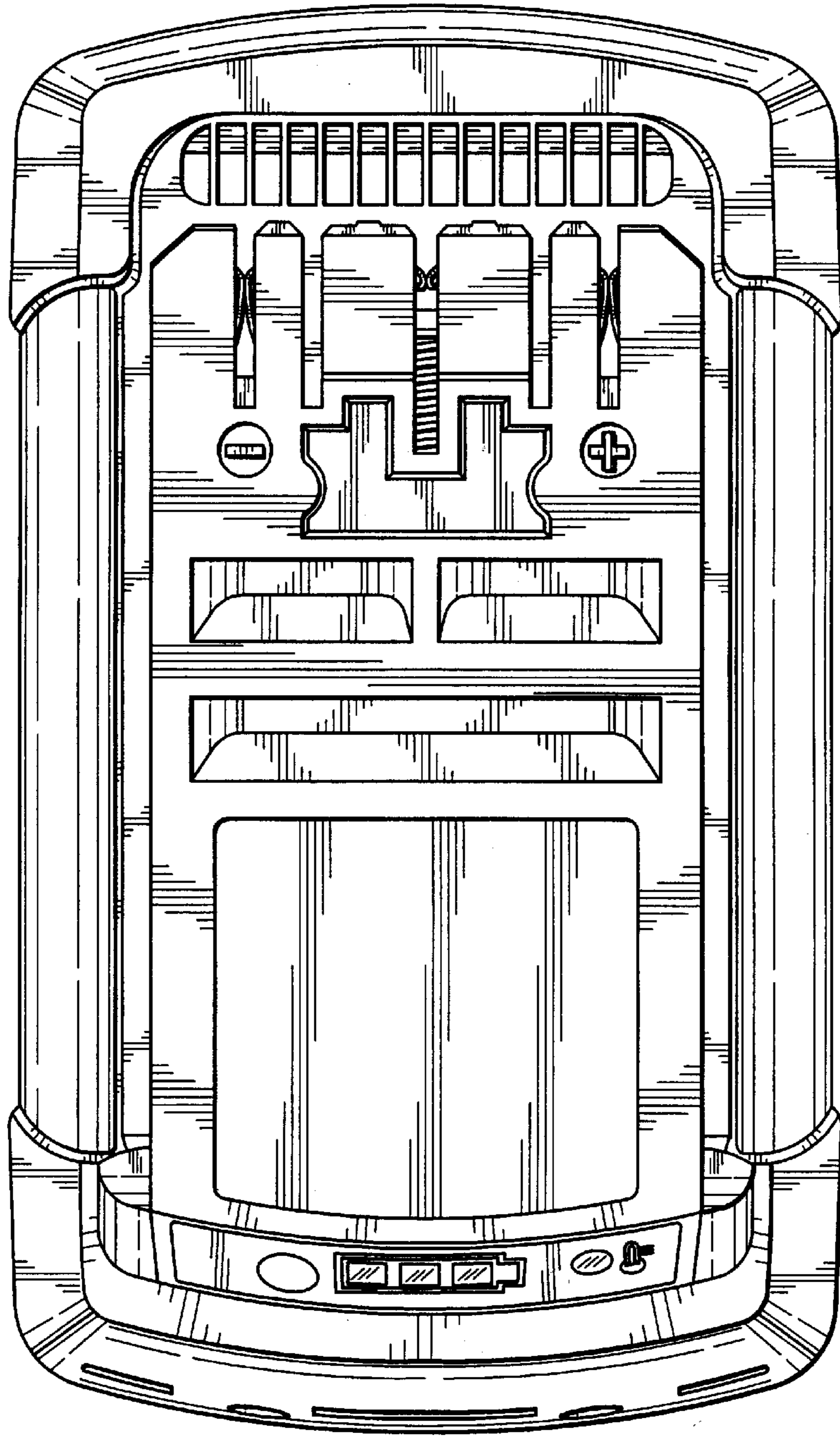


Fig. 3

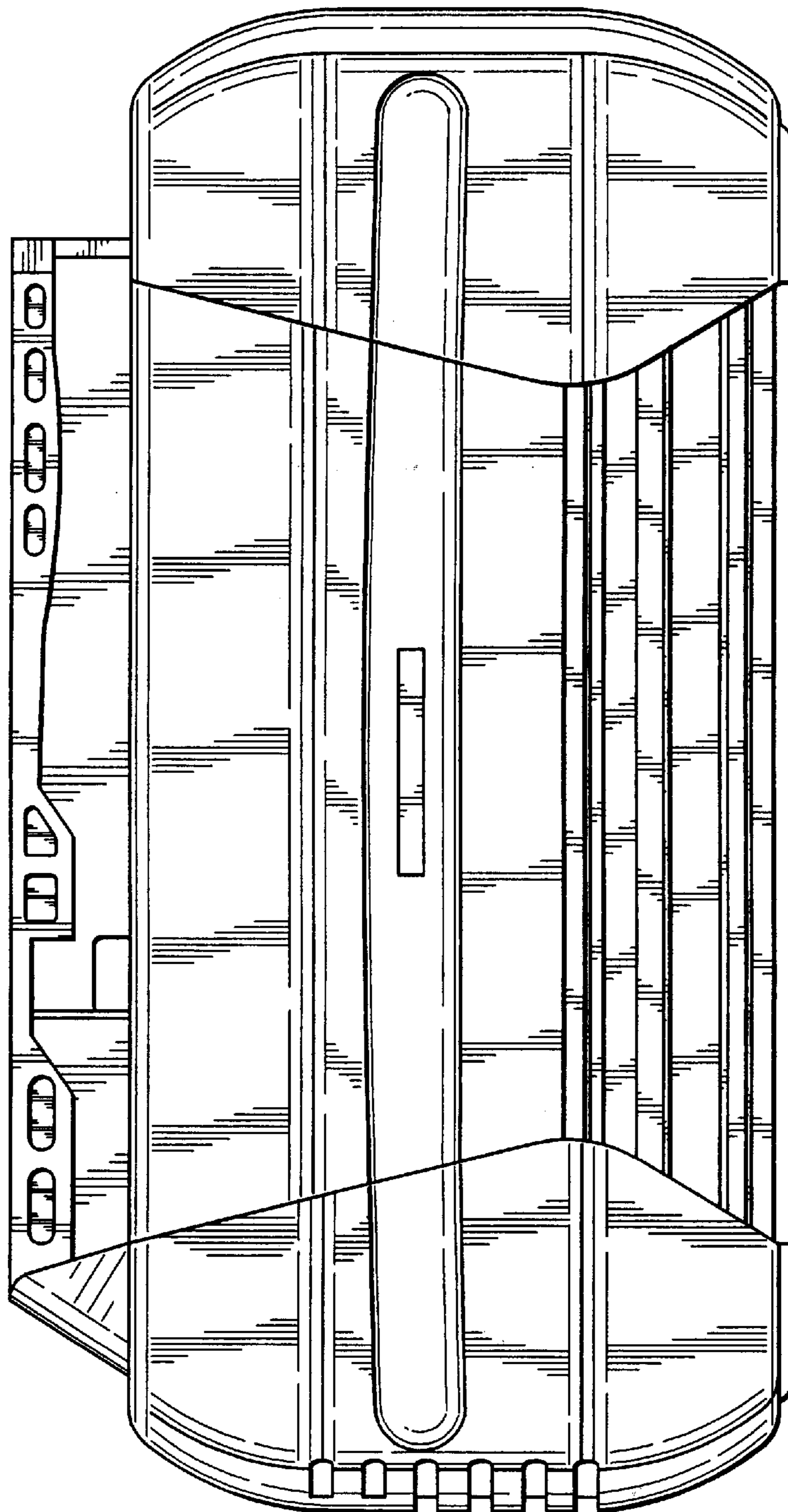


Fig. 4

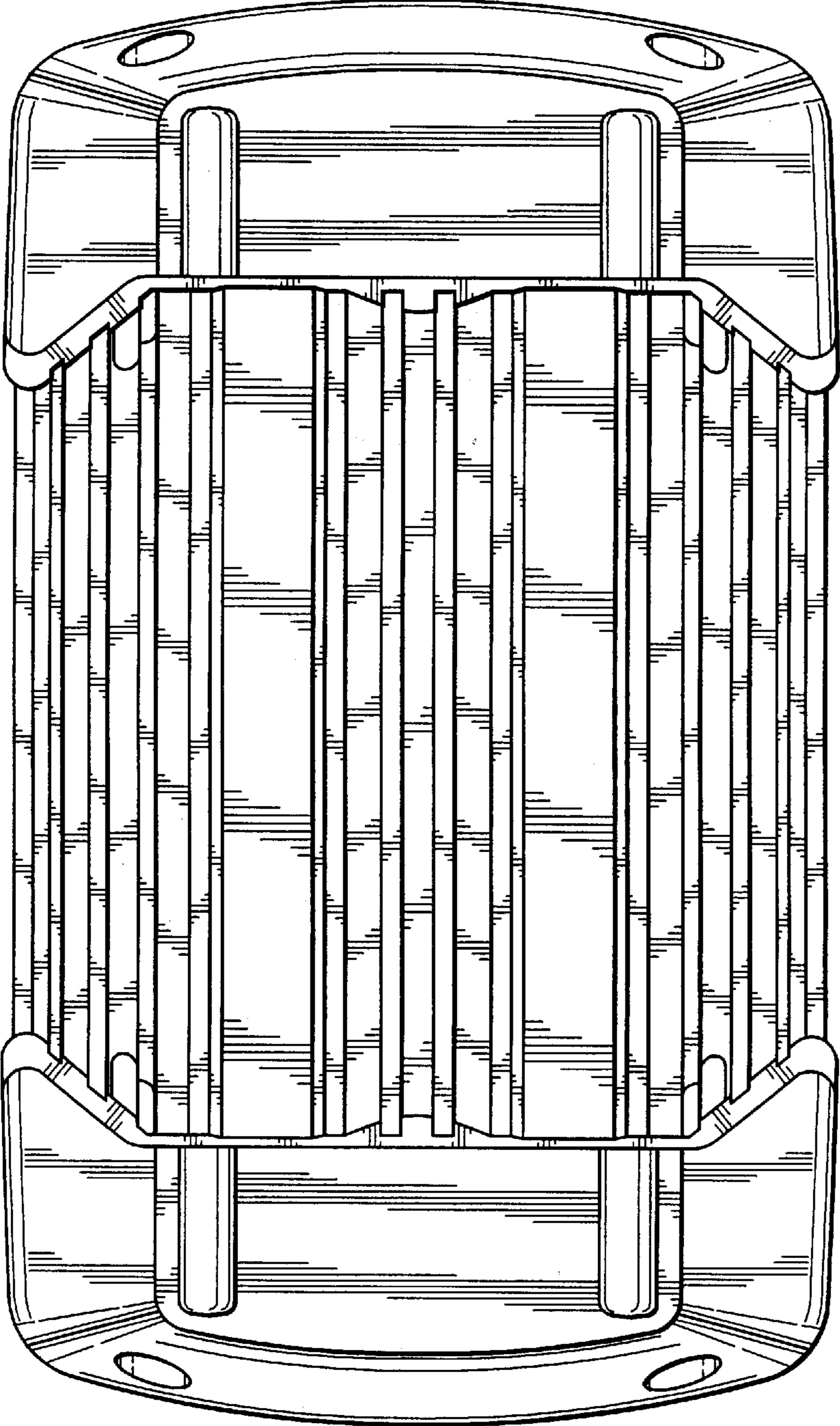


Fig. 5

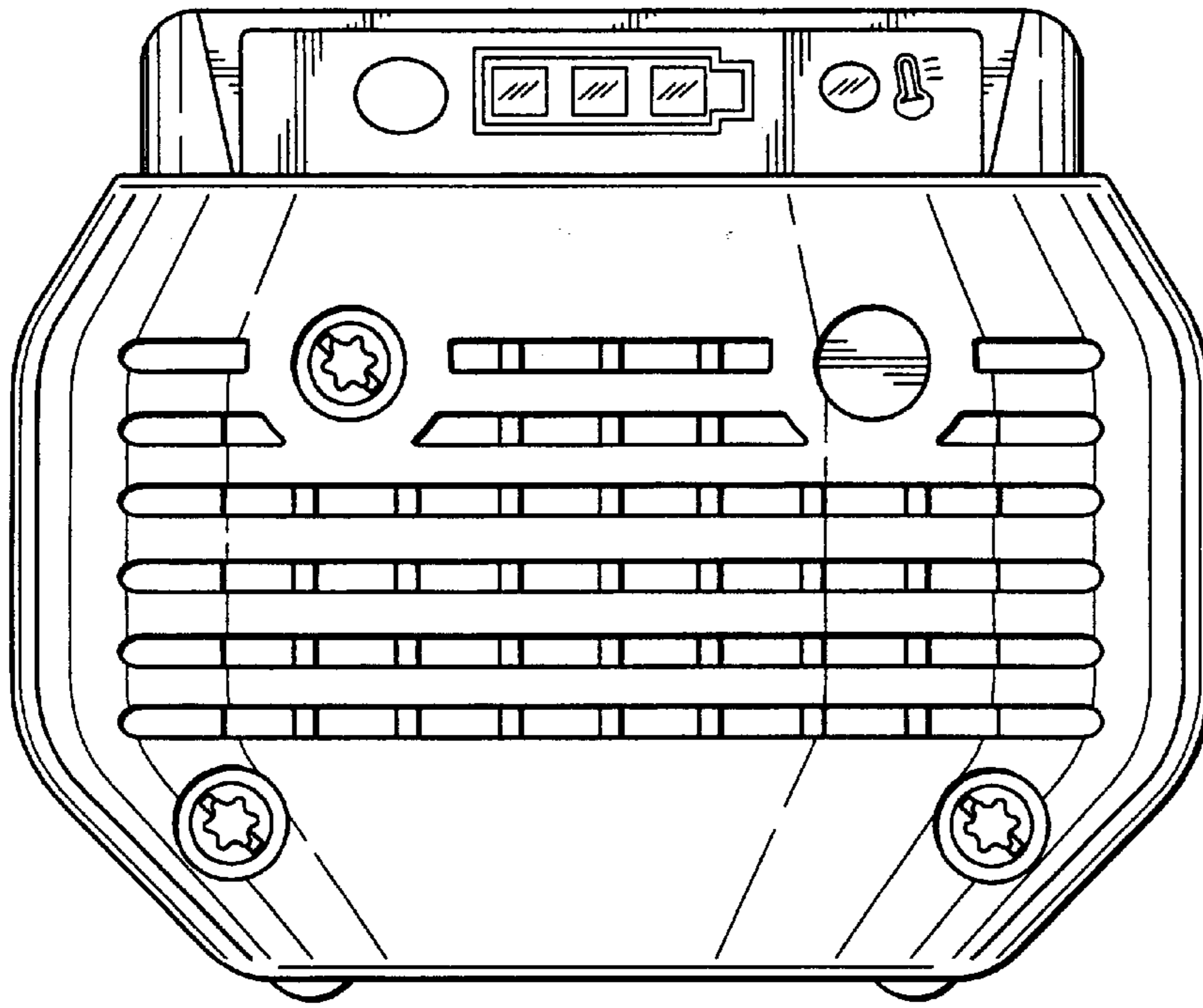


Fig. 6

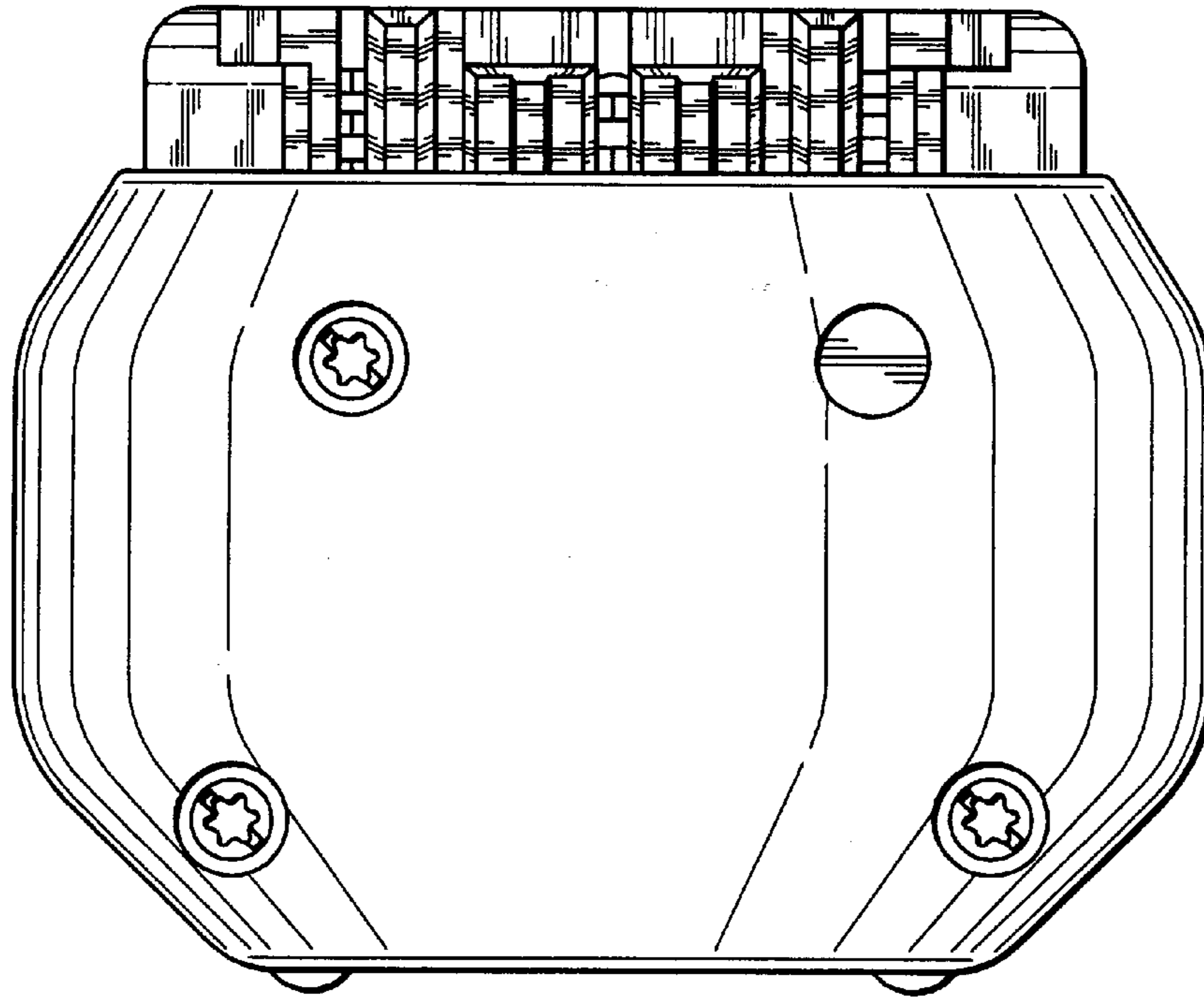


Fig. 7