



US00D537405S

(12) **United States Design Patent**  
**Saward**

(10) **Patent No.:** **US D537,405 S**

(45) **Date of Patent:** **\*\* Feb. 27, 2007**

(54) **STANCHION ASSEMBLY**

D396,029 S \* 7/1998 Cucheran et al. .... D12/414  
D497,589 S \* 10/2004 Elwell et al. .... D12/414

(75) Inventor: **Ronald G. Saward**, Shelby Township,  
MI (US)

\* cited by examiner

(73) Assignee: **Sportrack LLC**, Sterling Heights, MI  
(US)

*Primary Examiner*—Holly H. Baynham  
(74) *Attorney, Agent, or Firm*—Rader, Fishman & Grauer  
PLLC

(\*\*) Term: **14 Years**

(57) **CLAIM**

(21) Appl. No.: **29/222,417**

The ornamental design for a stanchion assembly, as shown  
and described.

(22) Filed: **Jan. 28, 2005**

**DESCRIPTION**

(51) **LOC (8) Cl.** ..... **12-16**

FIG. 1 is a perspective view of a stanchion assembly of the  
present invention;

(52) **U.S. Cl.** ..... **D12/414**

FIG. 2 is a front elevational view of the stanchion assembly  
of FIG. 1;

(58) **Field of Classification Search** ..... D8/354;  
D12/414, 406, 412; 296/3; 410/104, 106,  
410/150; 280/848, 769  
See application file for complete search history.

FIG. 3 is a rear elevational view of the stanchion assembly  
of FIG. 1;

FIG. 4 is a left side elevational view of the stanchion  
assembly of FIG. 1;

FIG. 5 is a right side elevational view of the stanchion  
assembly of FIG. 1;

FIG. 6 is a top elevational view of the stanchion assembly  
of FIG. 1; and,

FIG. 7 is a bottom elevational view of the stanchion assem-  
bly of FIG. 1.

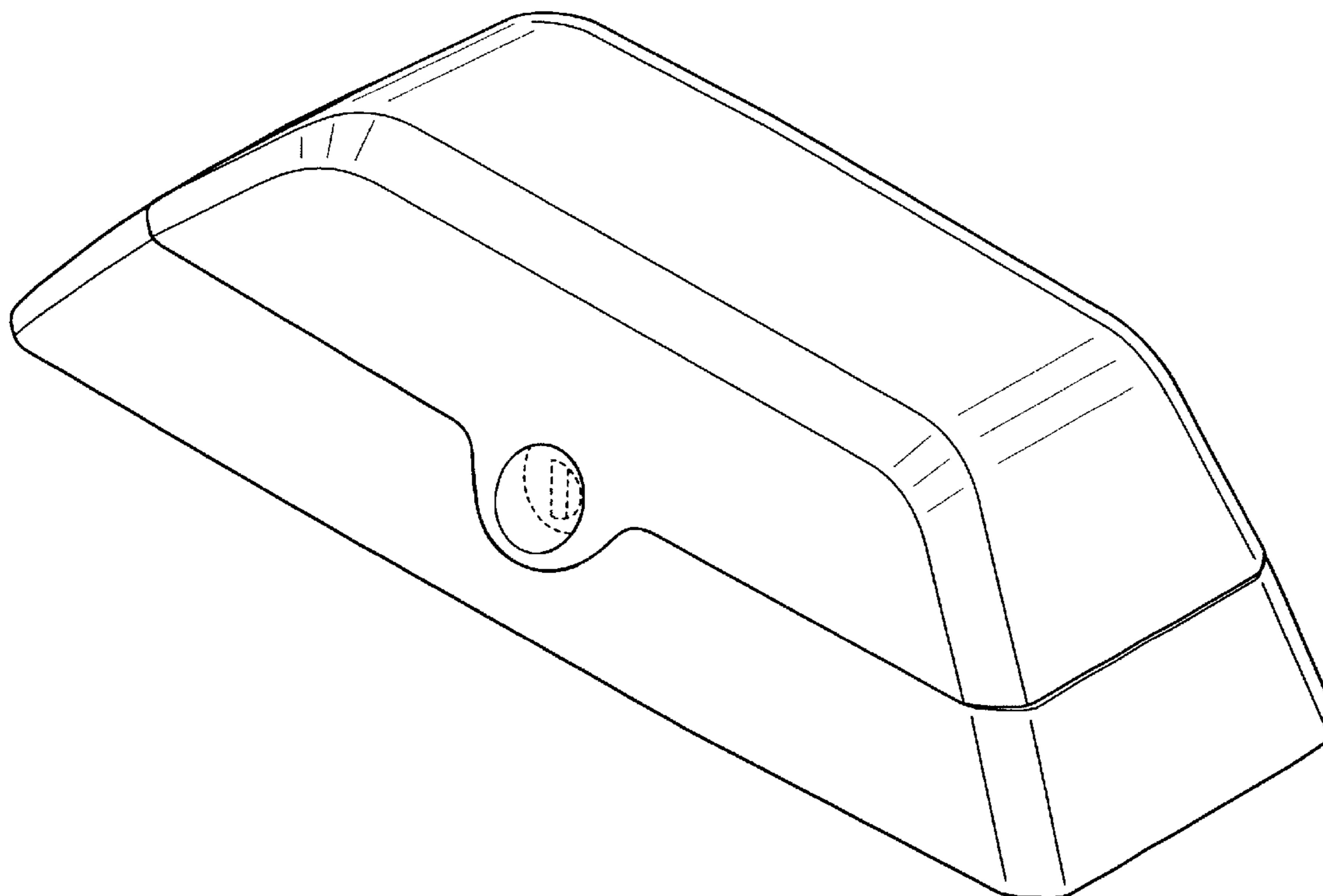
The broken line showing of structure is for illustrative  
purposes only and forms no part of the claimed design.

(56) **References Cited**

**U.S. PATENT DOCUMENTS**

4,279,368	A	*	7/1981	Kowalski	.....	224/326
D261,131	S	*	10/1981	Mareydt et al.	.....	D12/414
4,341,332	A	*	7/1982	Kowalski et al.	.....	224/326
D276,989	S	*	1/1985	Whitney	.....	D12/414
4,500,020	A	*	2/1985	Rasor	.....	224/321
5,538,306	A	*	7/1996	Ament	.....	296/37.1

**1 Claim, 4 Drawing Sheets**



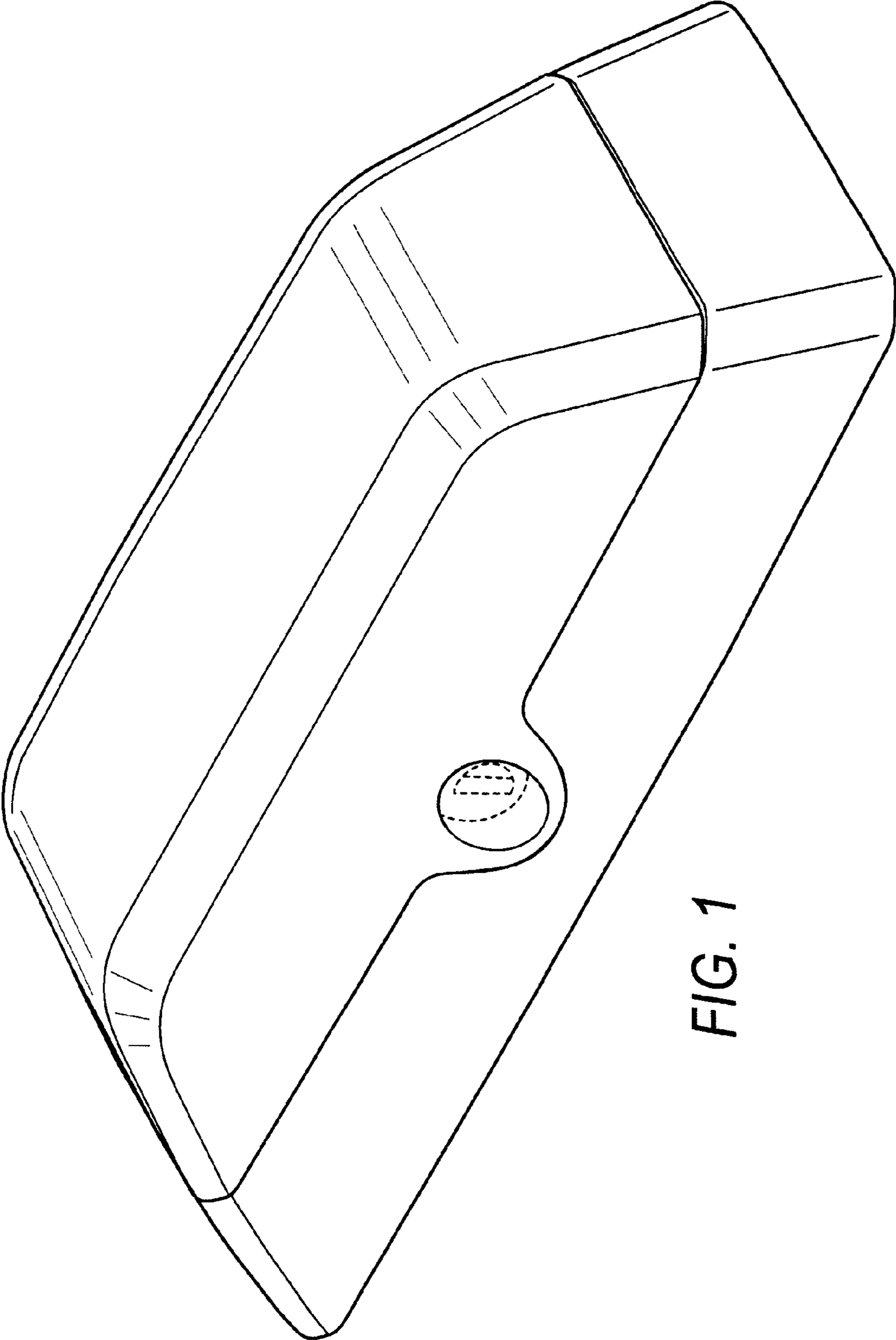


FIG. 1

FIG.2

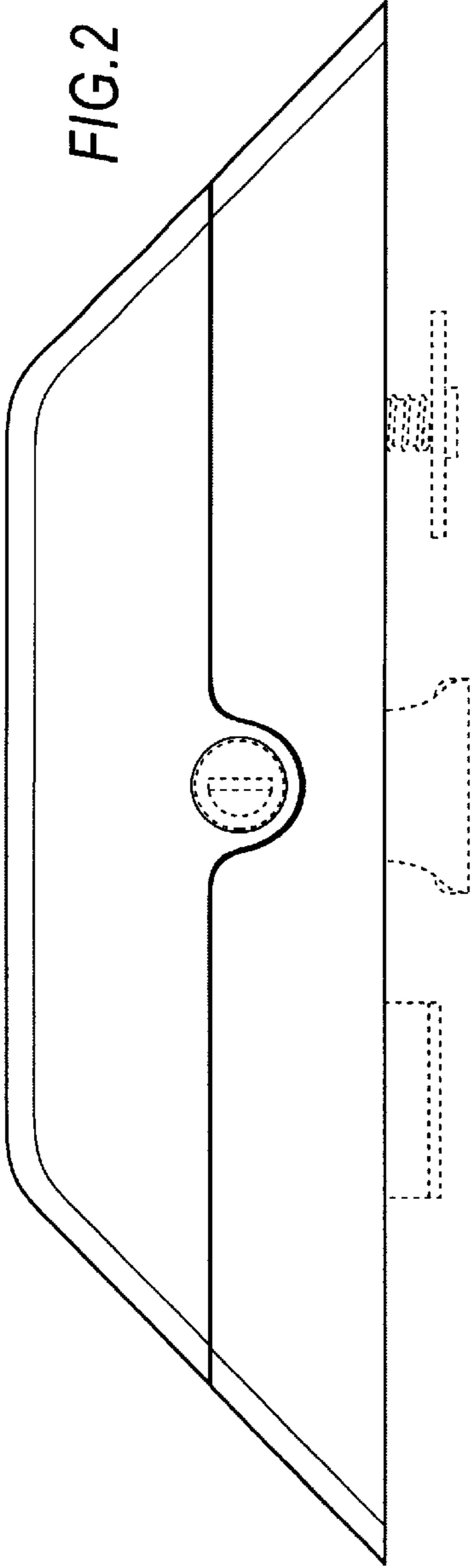


FIG.3

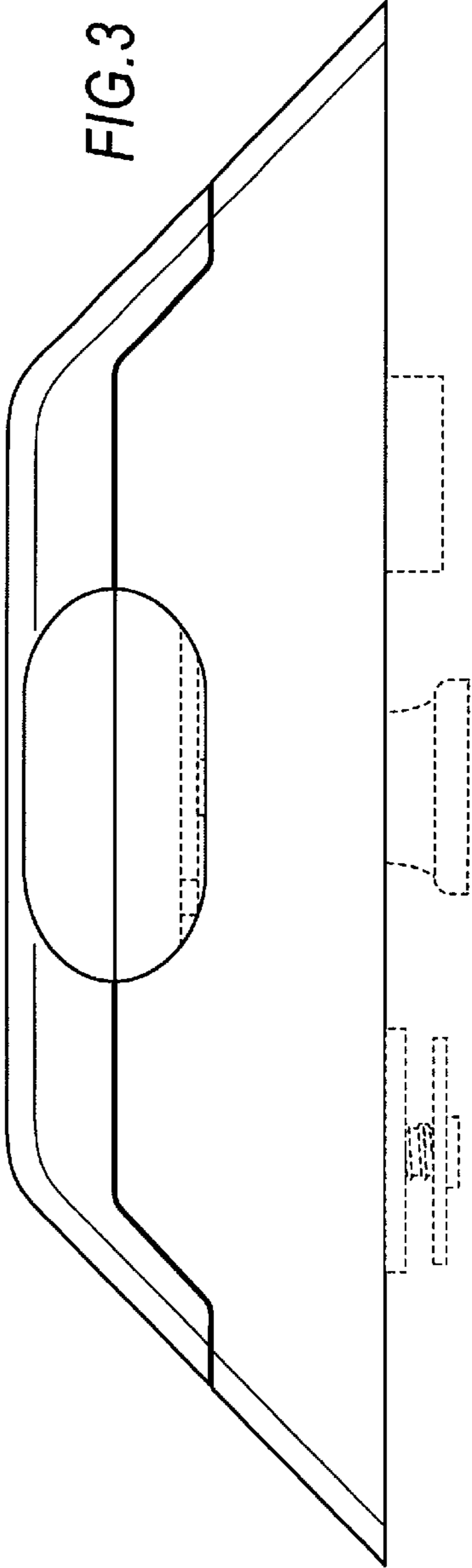


FIG.4

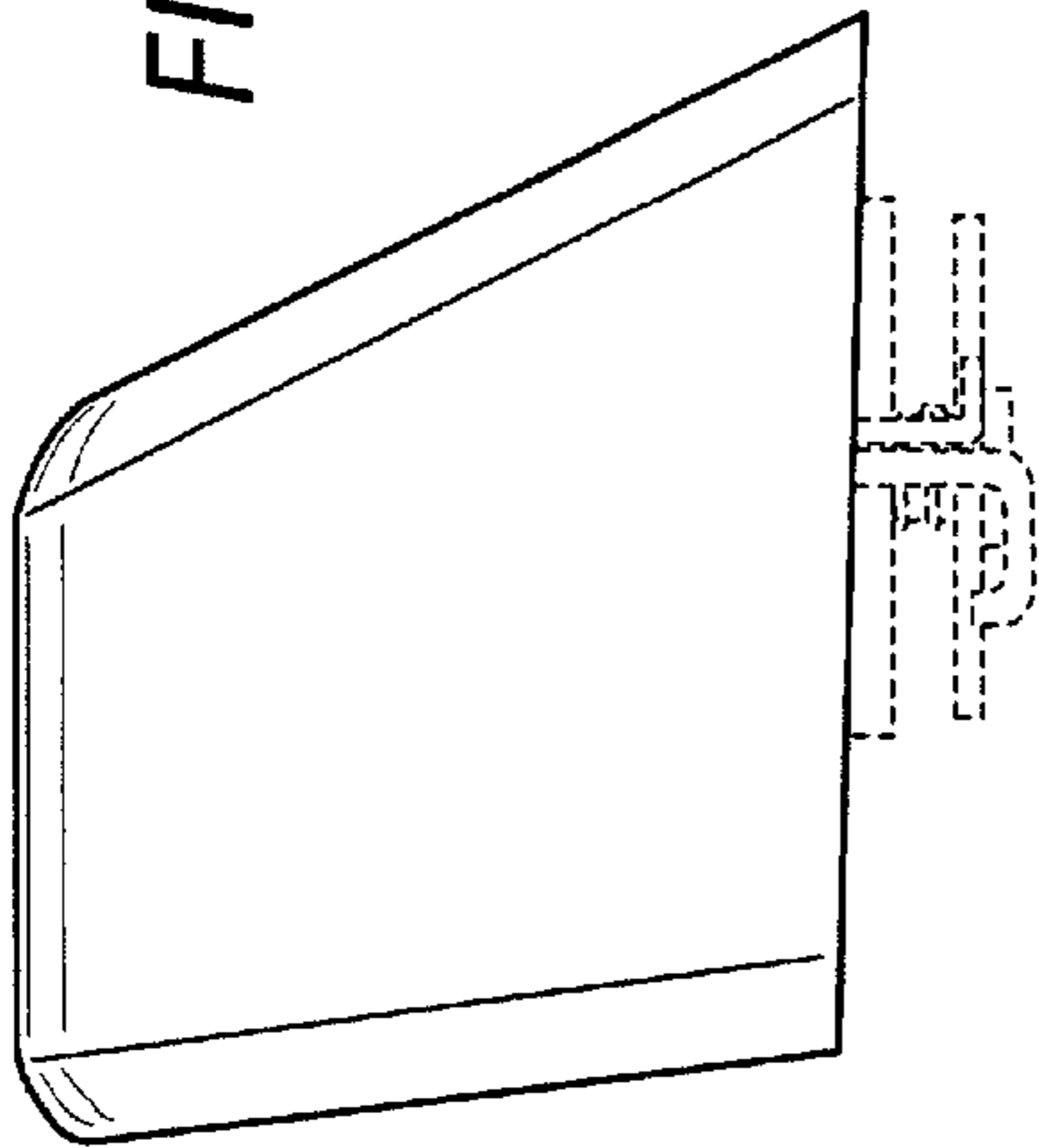
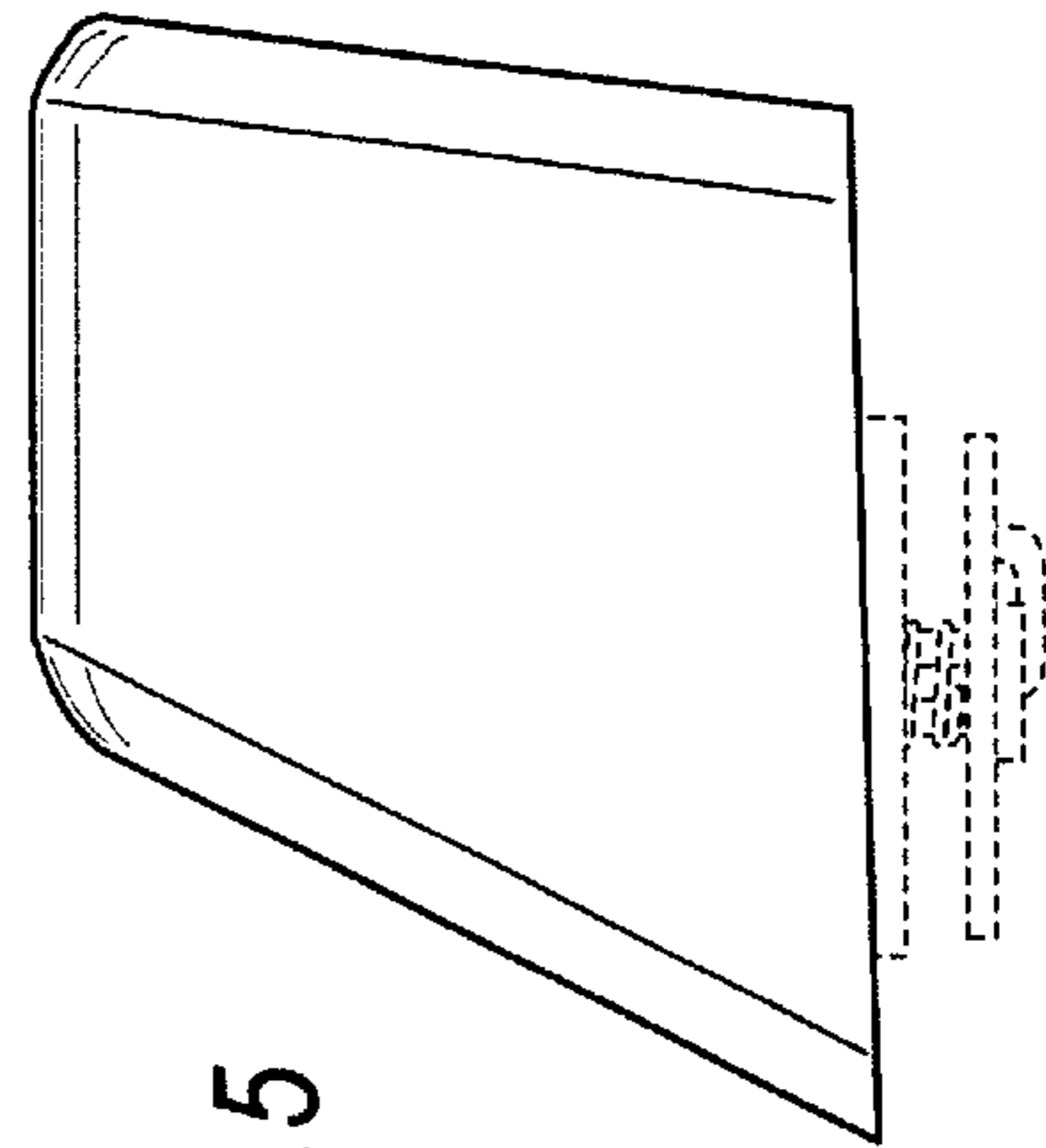


FIG.5



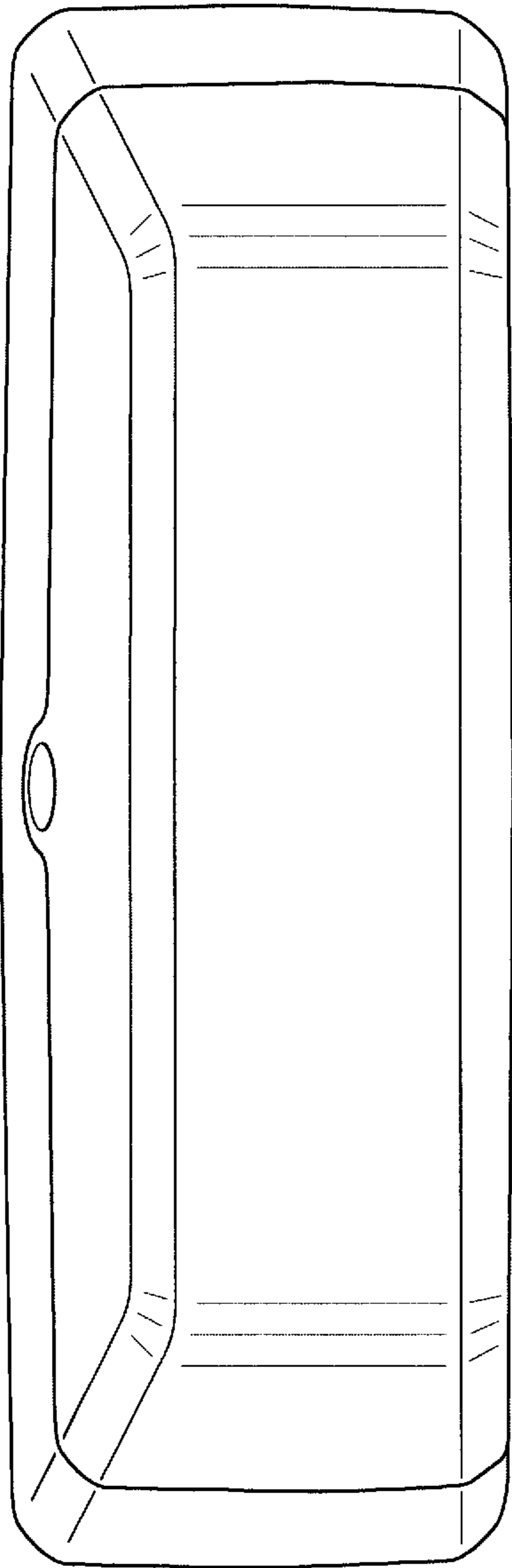


FIG. 6

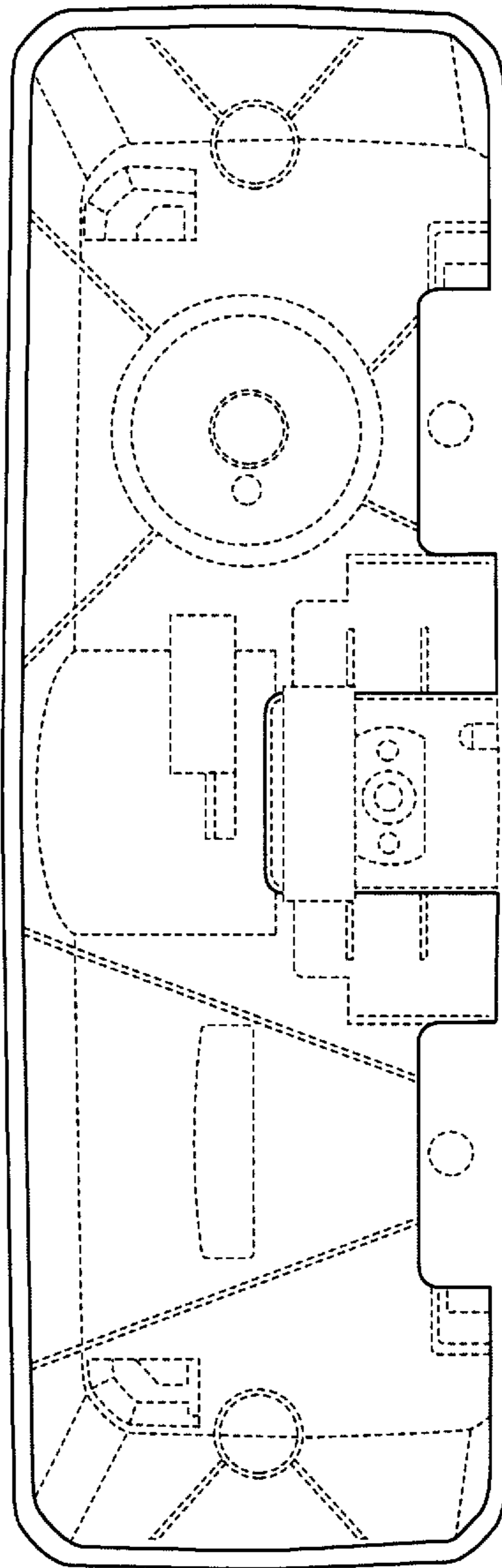


FIG. 7